

Simulink[®] Check[™]

Reference



MATLAB[®]&SIMULINK[®]

R2022a



How to Contact MathWorks



Latest news: www.mathworks.com
Sales and services: www.mathworks.com/sales_and_services
User community: www.mathworks.com/matlabcentral
Technical support: www.mathworks.com/support/contact_us



Phone: 508-647-7000



The MathWorks, Inc.
1 Apple Hill Drive
Natick, MA 01760-2098

Simulink[®] *Check*[™] *Reference*

© COPYRIGHT 2004–2022 by The MathWorks, Inc.

The software described in this document is furnished under a license agreement. The software may be used or copied only under the terms of the license agreement. No part of this manual may be photocopied or reproduced in any form without prior written consent from The MathWorks, Inc.

FEDERAL ACQUISITION: This provision applies to all acquisitions of the Program and Documentation by, for, or through the federal government of the United States. By accepting delivery of the Program or Documentation, the government hereby agrees that this software or documentation qualifies as commercial computer software or commercial computer software documentation as such terms are used or defined in FAR 12.212, DFARS Part 227.72, and DFARS 252.227-7014. Accordingly, the terms and conditions of this Agreement and only those rights specified in this Agreement, shall pertain to and govern the use, modification, reproduction, release, performance, display, and disclosure of the Program and Documentation by the federal government (or other entity acquiring for or through the federal government) and shall supersede any conflicting contractual terms or conditions. If this License fails to meet the government's needs or is inconsistent in any respect with federal procurement law, the government agrees to return the Program and Documentation, unused, to The MathWorks, Inc.

Trademarks

MATLAB and Simulink are registered trademarks of The MathWorks, Inc. See www.mathworks.com/trademarks for a list of additional trademarks. Other product or brand names may be trademarks or registered trademarks of their respective holders.

Patents

MathWorks products are protected by one or more U.S. patents. Please see www.mathworks.com/patents for more information.

Revision History

September 2017	Online only	New for Version 4.0 (Release 2017b)
March 2018	Online only	Revised for Version 4.1 (Release 2018a)
September 2018	Online only	Revised for Version 4.2 (Release 2018b)
March 2019	Online only	Revised for Version 4.3 (Release 2019a)
September 2019	Online only	Revised for Version 4.4 (Release 2019b)
March 2020	Online only	Revised for Version 4.5 (Release 2020a)
September 2020	Online only	Revised for Version 5.0 (Release 2020b)
March 2021	Online only	Revised for Version 5.1 (Release 2021a)
September 2021	Online only	Revised for Version 5.2 (Release 2021b)
March 2022	Online only	Revised for Version 6.0 (Release 2022a)

1 **Functions**

2 **Model Advisor Checks**

Simulink Check Checks	2-2
Simulink Check Checks	2-2
Requirements Toolbox Checks	2-2
Modeling Standards Checks	2-2
DO-178C/DO-331 Checks	2-4
DO-178C/DO-331 Checks	2-4
Display model version information	2-4
High Integrity System Modeling Checks	2-6
High-Integrity Systems Modeling Checks	2-8
Split Checks for High Integrity Systems Modeling	2-9
Check usage of standardized MATLAB function headers	2-10
Check for MATLAB Function interfaces with inherited properties	2-12
Check MATLAB Function metrics	2-13
Check MATLAB Code Analyzer messages	2-14
Check if/elseif/else patterns in MATLAB Function blocks	2-15
Check switch statements in MATLAB Function blocks	2-16
Check usage of relational operators in MATLAB Function blocks	2-16
Check usage of logical operators and functions in MATLAB Function blocks	2-17
Check state machine type of Stateflow charts	2-18
Check Stateflow charts for ordering of states and transitions	2-19
Check usage of recursions	2-19
Check Stateflow debugging options	2-20
Check Stateflow charts for transition paths that cross parallel state boundaries	2-21
Check for inappropriate use of transition paths	2-22
Check Stateflow charts for strong data typing	2-23
Check naming of ports in Stateflow charts	2-23
Check scoping of Stateflow data objects	2-24
Check assignment operations in Stateflow Charts	2-25
Check Stateflow charts for unary operators	2-25
Check usage of Abs blocks	2-26
Check usage of remainder and reciprocal operations	2-27
Check usage of log and log10 operations	2-28
Check usage of While Iterator blocks	2-28
Check usage of For and While Iterator subsystems	2-29

Check usage of For Iterator blocks	2-30
Check usage of If blocks and If Action Subsystem blocks	2-31
Check usage of Switch Case blocks and Switch Case Action Subsystem blocks	2-32
Check usage of conditionally executed subsystems	2-33
Check safety-related diagnostic settings for data store memory	2-34
Check usage of Merge blocks	2-35
Check relational comparisons on floating-point signals	2-36
Check usage of Relational Operator blocks	2-37
Check usage of Logical Operator blocks	2-37
Check usage of bit operation blocks	2-38
Check for blocks not recommended for C/C++ production code deployment	2-39
Check for inconsistent vector indexing methods	2-40
Check data types for blocks with index signals	2-41
Check usage of variant blocks	2-42
Check for root Inports with missing properties	2-43
Check for root Inports with missing range definitions	2-44
Check for root Outports with missing range definitions	2-45
Check usage of Assignment blocks	2-46
Check model file name	2-47
Check model object names	2-47
Check usage of lookup table blocks	2-49
Check usage of Signal Routing blocks	2-50
Check safety-related diagnostic settings for saving	2-51
Check safety-related model referencing settings	2-52
Check safety-related code generation settings for comments	2-53
Check safety-related code generation interface settings	2-54
Check safety-related solver settings for simulation time	2-56
Check safety-related solver settings for solver options	2-57
Check safety-related solver settings for tasking and sample-time	2-57
Check safety-related diagnostic settings for solvers	2-58
Check safety-related diagnostic settings for sample time	2-59
Check safety-related optimization settings for logic signals	2-61
Check safety-related block reduction optimization settings	2-62
Check safety-related code generation settings for code style	2-62
Check safety-related optimization settings for application lifespan	2-63
Check safety-related code generation identifier settings	2-64
Check safety-related optimization settings for data initialization	2-65
Check safety-related optimization settings for data type conversions ...	2-66
Check safety-related optimization settings for division arithmetic exceptions	2-67
Check safety-related optimization settings for specified minimum and maximum values	2-68
Check Stateflow charts for uniquely defined data objects	2-69
Check global variables in graphical functions	2-70
Check for length of user-defined object names	2-70
Check usage of Gain blocks	2-71
Check for divide-by-zero calculations	2-72
Check for model elements that do not link to requirements	2-72
Check safety-related settings for hardware implementation	2-74
Check data type of loop control variables	2-75
Check safety-related diagnostic settings for compatibility	2-76
Check safety-related diagnostic settings for parameters	2-76
Check safety-related diagnostic settings for Merge blocks	2-77
Check safety-related diagnostic settings for model initialization	2-78

Check safety-related diagnostic settings for data used for debugging . . .	2-79
Check safety-related diagnostic settings for signal connectivity	2-80
Check safety-related diagnostic settings for bus connectivity	2-81
Check safety-related diagnostic settings that apply to function-call connectivity	2-82
Check safety-related diagnostic settings for type conversions	2-83
Check safety-related diagnostic settings for model referencing	2-84
Check safety-related diagnostic settings for Stateflow	2-85
Check safety-related diagnostic settings for signal data	2-86
Check MATLAB functions not supported for code generation	2-89
Metrics for generated code complexity	2-89
Check for parameter tunability ignored for referenced models	2-90
Check usage of bit-shift operations	2-91
Check safety-related diagnostic settings for variants	2-91
Check usage of square root operations	2-92
Check usage of Reciprocal Sqrt blocks	2-92
Check for disabled and parameterized library links	2-93
Check for unreachable and dead code	2-94
Check type and size of condition expressions	2-95
Check configuration parameters for MISRA C:2012	2-96
Check for blocks not recommended for MISRA C:2012	2-98
IEC 61508, IEC 62304, ISO 26262, ISO 25119, and EN 50128/EN 50657	
Checks	2-101
IEC 61508, IEC 62304, ISO 26262, ISO 25119, and EN 50128/EN 50657 Checks	2-101
Display configuration management data	2-101
Display model metrics and complexity report	2-102
Check for unconnected objects	2-103
Model Advisor Checks for MAB and JMAAB Compliance	2-105
Modeling Standards for MAB — Compliance Checks	2-105
Modeling Standards for JMAAB — Compliance Checks	2-105
Check file names	2-106
Check folder names	2-108
Check length of model file name	2-109
Check length of folder name at every level of model path	2-110
Check Subsystem names	2-110
Check character usage in block names	2-112
Check port block names	2-113
Check length of subsystem names	2-114
Check length of block names	2-116
Check length of Inport and Outport names	2-117
Check usable characters for signal names and bus names	2-118
Check usable characters for parameter names	2-119
Check length of signal and bus names	2-120
Check length of parameter names	2-121
Check usable characters for Stateflow data names	2-122
Check length of Stateflow data name	2-123
Check duplication of Simulink data names	2-124
Check unused data in Simulink Model	2-125
Check for unused data in Stateflow Charts	2-126
Check usage of restricted variable names	2-127
Check Implement logic signals as Boolean data (vs. double)	2-128
Check Signed Integer Division Rounding mode	2-128
Check diagnostic settings for incorrect calculation results	2-129

Check model diagnostic parameters	2-130
Check for Simulink diagrams using nonstandard display attributes	2-132
Check Model font settings	2-134
Check whether block names appear below blocks	2-135
Check the display attributes of block names	2-136
Check for nondefault block attributes	2-138
Check Model Description	2-140
Check if blocks are shaded in the model	2-141
Check for unconnected signal lines and blocks	2-142
Check signal line connections	2-143
Check signal flow in model	2-144
Check usage of tunable parameters in blocks	2-145
Check connections between structural subsystems	2-147
Check for consistency in model element names	2-148
Check trigger signal names	2-150
Check for mixing basic blocks and subsystems	2-151
Check for avoiding algebraic loops between subsystems	2-152
Check for prohibited sink blocks	2-153
Check usage of vector and bus signals	2-154
Check signal line labels	2-155
Check for propagated signal labels	2-157
Check position of signal labels	2-144
Check signal line labels	2-160
Check for propagated signal labels	2-161
Check block orientation	2-162
Check Indexing Mode	2-163
Check if tunable block parameters are defined as named constants	2-165
Check for sample time setting	2-166
Check usage of fixed-point data type with non-zero bias	2-167
Check type setting by data objects	2-168
Check position of conditional blocks and iterator blocks	2-169
Check undefined initial output for conditional subsystems	2-170
Check usage of Merge block	2-171
Check logical expressions in If blocks	2-172
Check default/else case in Switch Case blocks and If blocks	2-175
Check fundamental logical and numerical operations	2-175
Check usage of Sum blocks	2-177
Check operator order of Product blocks	2-178
Check signs of input signals in product blocks	2-179
Check for parentheses in Fcn block expressions	2-180
Check icon shape of Logical Operator blocks	2-180
Check usage of Relational Operator blocks	2-181
Comparing floating point types in Simulink	2-182
Check usage of Lookup Tables	2-183
Check usage of Memory and Unit Delay blocks	2-184
Check for cascaded Unit Delay blocks	2-185
Check usage of Discrete-Time Integrator block	2-186
Check usage of the Saturation blocks	2-187
Check output data type of operation blocks	2-188
Check position of Inport and Outport blocks	2-189
Check display for port blocks	2-190
Check scope of From and Goto blocks	2-191
Check for usage of Data Store Memory blocks	2-192
Check usage of Switch blocks	2-193
Check input and output datatype for Switch blocks	2-194
Check settings for data ports in Multiport Switch blocks	2-195

Check for missing ports in Variant Subsystems	2-196
Check use of default variants	2-197
Check use of single variable variant conditionals	2-198
Check for names of Stateflow ports and associated signals	2-199
Check definition of Stateflow data	2-200
Check definition of Stateflow events	2-201
Check usable number for first index	2-202
Check execution timing for default transition path	2-203
Check scope of data in parallel states	2-204
Check for unconnected objects in Stateflow Charts	2-205
Check for state in state machines	2-206
Check usage of parallel states	2-207
Check for Stateflow transition appearance	2-208
Check default transition placement in Stateflow charts	2-209
Check usage of transitions to external states	2-210
Check for unexpected backtracking in state transitions	2-211
Check starting point of internal transition in Stateflow	2-212
Check usage of internal transitions in Stateflow states	2-213
Check prohibited combination of state action and flow chart	2-214
Check transitions in Stateflow Flow charts	2-215
Check usage of unconditional transitions in flow charts	2-216
Check terminal junctions in Stateflow	2-217
Check usage of Stateflow comments	2-218
Check Stateflow chart action language	2-219
Check usage of numeric literals in Stateflow	2-220
Check for pointers in Stateflow charts	2-221
Check for usage of events and broadcasting events in Stateflow charts	2-221
Check order of state action types	2-223
Check repetition of Action types	2-224
Check if state action type 'exit' is used in the model	2-224
Check updates to variables used in state transition conditions	2-225
Check usage of transition conditions in Stateflow transitions	2-226
Check condition actions and transition actions in Stateflow	2-227
Check for MATLAB expressions in Stateflow charts	2-228
Check usage of floating-point expressions in Stateflow charts	2-229
Check Stateflow operators	2-230
Check prohibited comparison operation of logical type signals	2-231
Check usage of unary minus operations in Stateflow charts	2-232
Check for implicit type casting in Stateflow	2-233
Check uniqueness of Stateflow State and Data names	2-234
Check uniqueness of State names	2-235
Check usage of State names	2-236
Check entry formatting in State blocks in Stateflow charts	2-236
Check indentation of code in Stateflow states	2-237
Check for usage of text inside states	2-239
Check placement of Label String in Transitions	2-240
Check position of comments in transition labels	2-241
Check usage of parentheses in Stateflow transitions	2-242
Check for comments in unconditional transitions	2-242
Check return value assignments in Stateflow graphical functions	2-243
Check usage of Simulink function in Stateflow	2-244
Check use of Simulink in Stateflow charts	2-245
Check MATLAB Function metrics	2-246
Check MATLAB code for global variables	2-247
Check usage of enumerated values	2-248
Check input and output settings of MATLAB Functions	2-249

Check the number of function calls in MATLAB Function blocks	2-250
Check usage of character vector inside MATLAB Function block	2-251
Check usage of recommended patterns for Switch/Case statements . . .	2-252
Check for use of C-style comment symbols	2-253
Check usage of graphical functions in Stateflow	2-254
Check for division by zero in Simulink	2-255
Check lines of code in MATLAB Functions	2-256
Check nested conditions in MATLAB Functions	2-256
DO-254 Checks	2-258
Modeling Standards for DO-254 Overview	2-258
Modeling Standards for DO-254	2-258
MISRA C:2012 Checks	2-259
See Also	2-259
Check usage of Assignment blocks	2-259
Check for blocks not recommended for MISRA C:2012	2-260
Check for unsupported block names	2-262
Check configuration parameters for MISRA C:2012	2-262
Check for equality and inequality operations on floating-point values . .	2-265
Check for bitwise operations on signed integers	2-266
Check for recursive function calls	2-267
Check for switch case expressions without a default case	2-268
Check for blocks not recommended for C/C++ production code deployment	2-268
Check for missing error ports for AUTOSAR receiver interfaces	2-269
Check for missing const qualifiers in model functions	2-271
Check integer word length	2-271
Check bus object names that are used as bus element names	2-272
Secure Coding Checks for CERT C, CWE, and ISO/IEC TS 17961	
Standards	2-273
See Also	2-273
Check configuration parameters for secure coding standards	2-273
Check for blocks not recommended for C/C++ production code deployment	2-275
Check for blocks not recommended for secure coding standards	2-276
Check usage of Assignment blocks	2-277
Check for switch case expressions without a default case	2-279
Check for bitwise operations on signed integers	2-280
Check for equality and inequality operations on floating-point values . .	2-280
Check integer word length	2-281
Detect Dead Logic	2-282
Detect Integer Overflow	2-284
Detect Division by Zero	2-285
Detect Out Of Bound Array Access	2-286
Detect Specified Minimum and Maximum Value Violations	2-287
Model Metrics	2-289
Model Metrics	2-289
Size Metrics	2-290
Architecture Metrics	2-291
Compliance Metrics	2-291
Readability Metrics	2-291
Simulink block metric	2-292
Subsystem metric	2-293

Library link metric	2-294
Effective lines of MATLAB code metric	2-295
Stateflow chart objects metric	2-296
Lines of code for Stateflow blocks metric	2-297
Subsystem depth metric	2-298
Input output metric	2-299
Diagnostic warnings metric	2-300
Explicit input output metric	2-300
File metric	2-301
MATLAB Function metric	2-302
Model file count	2-302
Parameter metric	2-303
Stateflow chart metric	2-304
Cyclomatic complexity metric	2-305
Clone content metric	2-306
Clone detection metric	2-307
Library content metric	2-308
Nondescriptive block name metric	2-308
Data and structure layer separation metric	2-309
MATLAB code analyzer warnings	2-310
Model Advisor Check Compliance for High-Integrity Systems	2-311
Model Advisor Check Compliance for Modeling Standards for MAB ...	2-312
Model Advisor Check Issues for High-Integrity Systems	2-313
Model Advisor Check Issues for MAB Standards	2-314
Compliance Metrics for Model Advisor Configurations	2-315

Model Transformer Tasks

3

Model Transformer Tasks	3-2
Transformations	3-2
Replace Modeling Patterns with Variant Blocks	3-2
Eliminate Data Store Blocks	3-3
Transform Table Lookup Blocks to Prelookup and Interpolation Using Prelookup Blocks	3-4
Replace Interpolation Using Prelookup Blocks	3-4

Clone Detection Tasks

4

Exclude Components from Clone Detection	4-2
--	------------

Model Testing Metrics	5-2
Requirement linked to test cases	5-2
Percentage requirements with test cases	5-3
Requirement with test case distribution	5-4
Test cases per requirement	5-5
Test cases per requirement distribution	5-6
Test linked to requirements	5-7
Test linked to requirement percentage	5-8
Test linked to requirement distribution	5-9
Requirements per test case	5-10
Requirements per test case distribution	5-11
Test case type	5-12
Test case type distribution	5-13
Test case tag	5-14
Test case tag distribution	5-15
Test case status	5-16
Test case status percentage	5-17
Test case status distribution	5-18
Test case includes pass/fail criteria	5-19
Test case includes pass/fail criteria distribution	5-20
Justified and achieved execution coverage	5-21
Justified and achieved condition coverage	5-22
Justified and achieved decision coverage	5-23
Justified and achieved MC/DC coverage	5-24
Coverage Fragments	5-26
Execution coverage	5-26
Decision coverage	5-26
Condition coverage	5-26
MC/DC coverage	5-26
Artifact Tracing	5-27
Units in the Model Testing Dashboard	5-27
Components in the Model Testing Dashboard	5-27
Specify Models as Components and Units	5-28
Trace Artifacts to Units for Model Testing Analysis	5-29
Model Testing Report Generation	5-35
Create a Metric Result Report	5-35
Trace Artifacts	5-36
Trace Artifacts to Units and Components for Analysis	5-36
Collect Metric Results	5-37
Collect Results for Model Testing Analysis	5-37
Fix Issues and Trace Artifacts	5-38
Fix Issues and Trace Artifacts for Model Testing Analysis	5-38
Enable Artifact Tracing	5-39
Trace Pending Artifacts to Units for Model Testing Analysis	5-39

Unanalyzed Artifacts	5-40
Unanalyzed Artifacts During First-Time Setup	5-40
Implemented Requirements	5-41
Implemented Requirements	5-41
Upstream Requirements	5-42
Upstream Requirements	5-42
Unit Tests	5-43
Unit Tests	5-43
Other Tests	5-44
Others	5-44
Test Harnesses	5-45
Test Harnesses	5-45
Unit Simulation	5-46
Unit Simulation	5-46
Other Results	5-47
Others	5-47
Unexpected Implementation Links	5-48
Unexpected Implementation Links	5-48
Unresolved Links	5-49
Unresolved and Unsupported Links	5-49
Untraced Tests	5-50
Untraced Tests	5-50
Untraced Results	5-51
Untraced Results	5-51
Refresh Tasks	5-52
Refresh Tasks	5-52

Functions

Advisor.authoring.CustomCheck.actionCallback

Register action callback for model configuration check

Syntax

Advisor.authoring.CustomCheck.actionCallback(task)

Description

Advisor.authoring.CustomCheck.actionCallback(task) is used as the action callback function when registering custom checks that use an XML data file to specify check behavior.

Examples

This `sl_customization.m` file registers the action callback for configuration parameter checks with fix actions.

```
function defineModelAdvisorChecks

    rec = ModelAdvisor.Check('com.mathworks.Check1');
    rec.Title = 'Test: Check1';
    rec.setCallbackFcn(@(system)(Advisor.authoring.CustomCheck.checkCallback(system)), ...
        'None', 'StyleOne');
    rec.TitleTips = 'Example check for check authoring infrastructure.';

    % --- data file input parameters
    rec.setInputParametersLayoutGrid([1 1]);
    inputParam1 = ModelAdvisor.InputParameter;
    inputParam1.Name = 'Data File';
    inputParam1.Value = 'Check1.xml';
    inputParam1.Type = 'String';
    inputParam1.Description = 'Name or full path of XML data file.';
    inputParam1.setRowSpan([1 1]);
    inputParam1.setColSpan([1 1]);
    rec.setInputParameters({inputParam1});

    % -- set fix operation
    act = ModelAdvisor.Action;
    act.setCallbackFcn(@(task)(Advisor.authoring.CustomCheck.actionCallback(task)));
    act.Name = 'Modify Settings';
    act.Description = 'Modify model configuration settings.';
    rec.setAction(act);

    mdladvRoot = ModelAdvisor.Root;
    mdladvRoot.register(rec);
end
```

See Also

Advisor.authoring.DataFile | Advisor.authoring.CustomCheck.checkCallback |
Advisor.authoring.generateConfigurationParameterDataFile

Topics

“Create Model Advisor Check for Model Configuration Parameters”

addCheck

Class: ModelAdvisor.FactoryGroup

Package: ModelAdvisor

Add check to folder

Syntax

```
addCheck(fg_obj, check_ID)
```

Description

`addCheck(fg_obj, check_ID)` adds checks, identified by `check_ID`, to the folder specified by `fg_obj`, which is an instantiation of the `ModelAdvisor.FactoryGroup` class.

Examples

Add four checks to `rec`:

```
% --- sample factory group
rec = ModelAdvisor.FactoryGroup('com.mathworks.sample.factorygroup');
.
.
.
addCheck(rec, 'com.mathworks.sample.Check0');
addCheck(rec, 'com.mathworks.sample.Check1');
addCheck(rec, 'com.mathworks.sample.Check2');
addCheck(rec, 'com.mathworks.sample.Check3');
```

addGroup

Class: ModelAdvisor.Group

Package: ModelAdvisor

Add subfolder to folder

Syntax

```
addGroup(group_obj, child_obj)
```

Description

`addGroup(group_obj, child_obj)` adds a new subfolder, identified by `child_obj`, to the folder specified by `group_obj`, which is an instantiation of the `ModelAdvisor.Group` class.

Examples

Add three checks to rec:

```
group_obj = ModelAdvisor.Group('com.mathworks.sample.group');  
.  
.  
.  
addGroup(group_obj, 'com.mathworks.sample.subgroup1');  
addGroup(group_obj, 'com.mathworks.sample.subgroup2');  
addGroup(group_obj, 'com.mathworks.sample.subgroup3');
```

To add `ModelAdvisor.Task` objects to a group using `addGroup`:

```
mdladvRoot = ModelAdvisor.Root();  
  
% MAT1, MAT2, and MAT3 are registered ModelAdvisor.Task objects  
% Create the group 'My Group'  
MAG = ModelAdvisor.Group('com.mathworks.sample.GroupSample');  
MAG.DisplayName='My Group';  
  
% Add the first task to the 'My Group' folder  
MAG.addTask(MAT1);  
  
% Create a subfolder 'Folder1'  
MAGSUB1 = ModelAdvisor.Group('com.mathworks.sample.Folder1');  
MAGSUB1.DisplayName='Folder1';  
  
% Add the second task to Folder1  
MAGSUB1.addTask(MAT2);  
  
% Create a subfolder 'Folder2'  
MAGSUB2 = ModelAdvisor.Group('com.mathworks.sample.Folder2');  
MAGSUB2.DisplayName='Folder2';  
  
% Add the third task to Folder2  
MAGSUB2.addTask(MAT3);
```



```
% Register the two subfolders. This must be done before calling addGroup
mdladvRoot.register(MAGSUB1);
mdladvRoot.register(MAGSUB2);

% Invoke addGroup to place the subfolders under 'My Group'
MAG.addGroup(MAGSUB1);
MAG.addGroup(MAGSUB2);

mdladvRoot.publish(MAG); % publish under Root
```

setHelp

Class: ModelAdvisor.Group

Package: ModelAdvisor

Set custom help for folders that have custom authored Model Advisor checks

Syntax

```
checkObj.setHelp('Format',format, 'Path', custom path)
```

Description

`checkObj.setHelp('Format',format, 'Path', custom path)` sets custom help for folders that have custom authored Model Advisor checks.

Input Arguments

format — Format of the help file

pdf | webpage

Format of the help file, specified as pdf or webpage.

Example: `checkObj.setHelp('Format','webpage','Path','c:/customhelp/help.html');`

Data Types: char

custom path — Path of the help file

char vector

Path of the help file for the custom check specified as a character vector.

Example: `checkObj.setHelp('Format','pdf','Path','c:/customhelp/help.pdf');`

Data Types: char

Examples

Set pdf as custom help to a custom check group

Create a group object.

```
group_obj = ModelAdvisor.Group('mathworks.example.ExampleGroup');
```

set pdf as custom help to your custom check.

```
group_obj.setHelp('Format','pdf','Path','c:/customhelp/help.pdf');
```

See Also

setHelp | “Create Help for Custom Model Advisor Checks”

Introduced in R2022a

addItem

Add item to list

Syntax

```
addItem(element)
```

Description

addItem(*element*) adds items to the list created by the ModelAdvisor.List constructor.

Input Arguments

element Specifies an element to be added to a list in one of the following:

- Element
- Cell array of elements. When you add a cell array to a list, they form different rows in the list.
- Character vector

Examples

```
subList = ModelAdvisor.List();  
setType(subList, 'numbered')  
addItem(subList, ModelAdvisor.Text('Sub entry 1', {'pass','bold'}));  
addItem(subList, ModelAdvisor.Text('Sub entry 2', {'pass','bold'}));
```

See Also

“Customize the Configuration of the Model Advisor Overview”

Topics

“Create Model Advisor Checks”

addItem

Class: ModelAdvisor.Paragraph

Package: ModelAdvisor

Add item to paragraph

Syntax

```
addItem(text, element)
```

Description

addItem(text, element) adds an element to text. element is one of the following:

- Character vector
- Element
- Cell array of elements

Examples

Add two lines of text:

```
result = ModelAdvisor.Paragraph;  
addItem(result, [resultText1 ModelAdvisor.LineBreak resultText2]);
```

See Also

“Customize the Configuration of the Model Advisor Overview”

Topics

“Create Model Advisor Checks”

addProcedure

Class: ModelAdvisor.Group

Package: ModelAdvisor

Add procedure to folder

Syntax

```
addProcedure(group_obj, procedure_obj)
```

Description

`addProcedure(group_obj, procedure_obj)` adds a procedure, specified by `procedure_obj`, to the folder `group_obj`. `group_obj` is an instantiation of the `ModelAdvisor.Group` class.

Examples

Add three procedures to MAG.

```
MAG = ModelAdvisor.Group('com.mathworks.sample.GroupSample');  
  
MAP1=ModelAdvisor.Procedure('com.mathworks.sample.procedure1');  
MAP2=ModelAdvisor.Procedure('com.mathworks.sample.procedure2');  
MAP3=ModelAdvisor.Procedure('com.mathworks.sample.procedure3');  
  
addProcedure(MAG, MAP1);  
addProcedure(MAG, MAP2);  
addProcedure(MAG, MAP3);
```

addProcedure

Class: ModelAdvisor.Procedure

Package: ModelAdvisor

Add subprocedure to procedure

Syntax

```
addProcedure(procedure1_obj, procedure2_obj)
```

Description

`addProcedure(procedure1_obj, procedure2_obj)` adds a procedure, specified by `procedure2_obj`, to the procedure `procedure1_obj`. `procedure2_obj` and `procedure1_obj` are instantiations of the `ModelAdvisor.Procedure` class.

Examples

Add three procedures to MAP.

```
MAP = ModelAdvisor.Procedure('com.mathworks.sample.ProcedureSample');  
  
MAP1=ModelAdvisor.Procedure('com.mathworks.sample.procedure1');  
MAP2=ModelAdvisor.Procedure('com.mathworks.sample.procedure2');  
MAP3=ModelAdvisor.Procedure('com.mathworks.sample.procedure3');  
  
addProcedure(MAP, MAP1);  
addProcedure(MAP, MAP2);  
addProcedure(MAP, MAP3);
```

addRow

Add row to table

Syntax

```
addRow(ft_obj, {item1, item2, ..., itemn})
```

Description

`addRow(ft_obj, {item1, item2, ..., itemn})` is an optional method that adds a row to the end of a table in the result. `ft_obj` is a handle to the template object previously created. `{item1, item2, ..., itemn}` is a cell array of character vectors and objects to add to the table. The order of the items in the array determines which column the item is in. If you do not add data to the table, the Model Advisor does not display the table in the result.

Note Before adding rows to a table, you must specify column titles using the `setColTitle` method.

Examples

Find all of the blocks in the model and create a table of the blocks:

```
% Create FormatTemplate object, specify table format
ft = ModelAdvisor.FormatTemplate('TableTemplate');

% Add information to the table
setTableTitle(ft, {'Blocks in Model'});
setColTitles(ft, {'Index', 'Block Name'});
% Find all the blocks in the system and add them to a table.
allBlocks = find_system(system);
for inx = 2 : length(allBlocks)
    % Add information to the table
    addRow(ft, {inx-1,allBlocks(inx)});
end
```

See Also

“Customize the Configuration of the Model Advisor Overview”

Topics

“Create Model Advisor Checks”

addTask

Class: ModelAdvisor.Group

Package: ModelAdvisor

Add task to folder

Syntax

```
addTask(group_obj, task_obj)
```

Description

`addTask(group_obj, task_obj)` adds a task, specified by `task_obj`, to the folder `group_obj`. `group_obj` is an instantiation of the `ModelAdvisor.Group` class.

Examples

Add three tasks to a `ModelAdvisor.Group` `MAG`.

```
MAG = ModelAdvisor.Group('com.mathworks.sample.GroupSample');  
addTask(MAG, MAT8);  
addTask(MAG, MAT1);  
addTask(MAG, MAT2);  
addTask(MAG, MAT3);
```

setHelp

Set custom help for custom authored Model Advisor checks

Syntax

```
checkObj.setHelp('Format',format, 'Path',custom path)
```

Description

`checkObj.setHelp('Format',format, 'Path',custom path)` sets custom help for custom authored Model Advisor checks.

Input Arguments

format — Format of the help file

pdf | webpage

Format of the help file, specified as pdf or webpage.

Example: `checkobj.setHelp('Format','webpage','path','c:/customhelp/help.html');`

Data Types: char

custom path — Path of the help file

char vector

Path of the help file for the custom check specified as a character vector.

Example: `checkobj.setHelp('Format','pdf','path','c:/customhelp/help.pdf');`

Data Types: char

Examples

Set webpage as custom help to a custom check

Create a check object.

```
checkobj = ModelAdvisor.Group('SimplePassFailCheck');
```

set webpage as custom help to your custom check.

```
checkobj.setHelp('Format','webpage','Path','c:/customhelp/help.html');
```

See Also

`setHelp` | “Create Help for Custom Model Advisor Checks” | “Define Custom Model Advisor Checks” | “Create Model Advisor Check for Model Configuration Parameters”

Introduced in R2022a

addTask

Class: ModelAdvisor.Procedure

Package: ModelAdvisor

Add task to procedure

Syntax

```
addTask(procedure_obj, task_obj)
```

Description

`addTask(procedure_obj, task_obj)` adds a task, specified by `task_obj`, to `procedure_obj`. `procedure_obj` is an instantiation of the `ModelAdvisor.Procedure` class.

Examples

Add three tasks to MAP.

```
MAP = ModelAdvisor.Procedure('com.mathworks.sample.ProcedureSample');  
  
MAT1=ModelAdvisor.Task('com.mathworks.sample.task1');  
MAT2=ModelAdvisor.Task('com.mathworks.sample.task2');  
MAT3=ModelAdvisor.Task('com.mathworks.sample.task3');  
  
addTask(MAP, MAT1);  
addTask(MAP, MAT2);  
addTask(MAP, MAT3);
```

Advisor.Application class

Package: Advisor

Run Model Advisor across model hierarchy

Description

Use instances of `Advisor.Application` to run Model Advisor checks across a model hierarchy. You can use `Advisor.Application` to:

- Run checks on referenced models.
- Select model components for Model Advisor analysis.
- Select checks to run during Model Advisor analysis.

Consider using `Advisor.Application` if you have a large model with subsystems and model references. `Advisor.Application` does not run checks on library models. If you want to run checks on multiple independent models that are not in a model reference hierarchy or you want to leverage parallel processing, use `ModelAdvisor.run` to run Model Advisor checks on your model.

Note If model references are used in hierarchy, and if the user has set **Simulation Mode** to **accelerator** and **UpdateModelReferenceTargets** to **IfOutOfDate**, then the child model shall compile only if it is out of date. For referenced models, compile time checks will not run.

The `Advisor.Application` methods use the following definitions:

- Model component — Model in the system hierarchy. Models that the root model references and that `setAnalysisRoot` specifies are model components.
- Check instance — Instantiation of a `ModelAdvisor.Check` object in the Model Advisor configuration. Each check instance has an instance ID. When you change the Model Advisor configuration, the instance ID can change.

Construction

To create an `Advisor.Application` object, use `Advisor.Manager.createApplication`.

Properties

AnalysisRoot — Name of root model in the model hierarchy to analyze

character vector

Name of root model in the model hierarchy to analyze, as specified by the `Advisor.Application.setAnalysisRoot` method. This property is read only.

ID — Unique identifier

character vector

Unique identifier for the `Advisor.Application` object. This property is read only.

UseTempDir — Run analysis in a temporary working folder

false (default) | true

Run analysis in a temporary working folder. Specified by the `Advisor.Manager.createApplication` method. This property is read only.

Data Types: `logical`**AnalyzeVariants — Run analysis on active and inactive variants**

false (default) | true

Run analysis on variant blocks in models with predefined configurations with variant choices created using Variant Manager (“Variant Manager Overview”). For each configuration, produce a Model Advisor report. This property is read/write.

Data Types: `logical`**Methods**

<code>delete</code>	Delete <code>Advisor.Application</code> object
<code>deselectCheckInstances</code>	Clear check instances from Model Advisor analysis
<code>deselectComponents</code>	Clear model components from Model Advisor analysis
<code>generateReport</code>	Generate report for Model Advisor analysis
<code>getCheckInstanceIDs</code>	Obtain check instance IDs
<code>getResults</code>	Access Model Advisor analysis results
<code>loadConfiguration</code>	Load Model Advisor configuration
<code>run</code>	Run Model Advisor analysis on model components
<code>selectCheckInstances</code>	Select check instances to use in Model Advisor analysis
<code>selectComponents</code>	Select model components for Model Advisor analysis
<code>setAnalysisRoot</code>	Specify model hierarchy for Model Advisor analysis

Copy Semantics

Handle. To learn how handle classes affect copy operations, see [Copying Objects](#).

Examples**Run Model Advisor Checks on Referenced Model**

This example shows how to run a check on model `sldemo_mdhref_counter` referenced from `sldemo_mdhref_basic`.

In the Command Window, open model `sldemo_mdhref_basic` and referenced model `sldemo_mdhref_counter`.

```
openExample('sldemo_mdhref_basic');  
openExample('sldemo_mdhref_counter');
```

Save a copy of the models to a work folder, renaming them to `mdhref_basic` and `mdhref_counter`.

```
save_system('sldemo_mdref_basic','mdlref_basic');
save_system('sldemo_mdref_counter','mdlref_counter');
```

In `mdlref_basic`, change model reference from `sldemo_mdref_counter` to `mdlref_counter`. Save `mdlref_basic`.

```
set_param('mdlref_basic/CounterA','ModelName','mdlref_counter');
set_param('mdlref_basic/CounterB','ModelName','mdlref_counter');
set_param('mdlref_basic/CounterC','ModelName','mdlref_counter');
save_system('mdlref_basic');
```

Set root model to `mdlref_basic`.

```
RootModel='mdlref_basic';
```

Create an Application object.

```
app = Advisor.Manager.createApplication();
```

Set root analysis.

```
setAnalysisRoot(app,'Root',RootModel);
```

Clear all check instances from Model Advisor analysis.

```
deselectCheckInstances(app);
```

Select check **Identify unconnected lines, input ports, and output ports** using check instance ID.

```
instanceID = getCheckInstanceIDs(app,'mathworks.design.UnconnectedLinesPorts');
checkinstanceID = instanceID(1);
selectCheckInstances(app,'IDs',checkinstanceID);
```

Run Model Advisor analysis.

```
run(app);
```

Get analysis results.

```
getResults(app);
```

Generate and view the Model Advisor report. The Model Advisor runs the check on both `mdlref_basic` and `mdlref_counter`.

```
report = generateReport(app);
web(report)
```

Close the models.

```
close_system('mdlref_basic');
close_system('mdlref_counter');
```

Run Model Advisor Checks on a Subsystem

This example shows how to run a check on subsystem `fuel_rate_control` referenced from `sldemo_fuelsys`.

In the Command Window, open model `sldemo_fuelsys`.

```
openExample('sldemo_fuelsys')
```

Set root model to `sldemo_fuelsys`.

```
RootModel='sldemo_fuelsys';
```

Create an `Application` object.

```
app = Advisor.Manager.createApplication();
```

Set root analysis to subsystem `sldemo_fuelsys/fuel_rate_control`.

```
setAnalysisRoot(app,'Root','sldemo_fuelsys/fuel_rate_control','RootType','Subsystem');
```

Clear all check instances from Model Advisor analysis.

```
deselectCheckInstances(app);
```

Select check **Identify unconnected lines, input ports, and output ports** using check instance ID.

```
instanceID = getCheckInstanceIDs(app,'mathworks.design.UnconnectedLinesPorts');  
checkinstanceID = instanceID(1);  
selectCheckInstances(app,'IDs',checkinstanceID);
```

Run Model Advisor analysis.

```
run(app);
```

Get analysis results.

```
getResults(app);
```

Generate and view the Model Advisor report. The Model Advisor runs the check on subsystem `sldemo_fuelsys/fuel_rate_control`.

```
report = generateReport(app);  
web(report)
```

Close the model.

```
close_system('sldemo_fuelsys');
```

See Also

Topics

Class Attributes

Property Attributes

Introduced in R2015b

ModelAdvisor.CheckResult

Access Model Advisor check results

Description

View Model Advisor check results obtained by using the run method.

Creation

To access the properties of a CheckResult object, access the CheckResults0bjs property of a System.Result object.

Properties

system — Model or subsystem that Model Advisor analyzes

character vector

Model or subsystem that the Model Advisor analyzes.

Data Types: char

status — Model Advisor check status

Failed | Incomplete | Justified | NotRun | Passed | Warning

Status of Model Advisor check

Data Types: enum

checkID — Model Advisor check ID

character vector

Model Advisor check ID

Data Types: char

checkName — Model Advisor check name

character vector

Name of Model Advisor check

Data Types: char

Examples

Run Model Advisor Checks on Referenced Model

This example shows how to run a check on model `sldemo_mdhref_counter` referenced from `sldemo_mdhref_basic`.

In the Command Window, open model `sldemo_mdhref_basic` and referenced model `sldemo_mdhref_counter`.

```
openExample('sldemo_mdhref_basic');  
openExample('sldemo_mdhref_counter');
```

Save a copy of the models to a work folder, renaming them to `mdhref_basic` and `mdhref_counter`.

```
save_system('sldemo_mdhref_basic', 'mdhref_basic');  
save_system('sldemo_mdhref_counter', 'mdhref_counter');
```

In `mdhref_basic`, change model reference from `sldemo_mdhref_counter` to `mdhref_counter`.
Save `mdhref_basic`.

```
set_param('mdhref_basic/CounterA', 'ModelName', 'mdhref_counter');  
set_param('mdhref_basic/CounterB', 'ModelName', 'mdhref_counter');  
set_param('mdhref_basic/CounterC', 'ModelName', 'mdhref_counter');  
save_system('mdhref_basic');
```

Set root model to `mdhref_basic`.

```
RootModel='mdhref_basic';
```

Create an Application object.

```
app = Advisor.Manager.createApplication();
```

Set root analysis.

```
setAnalysisRoot(app, 'Root', RootModel);
```

Clear check instances from Model Advisor analysis.

```
deselectCheckInstances(app);
```

Select check **Identify unconnected lines, input ports, and output ports** using check instance ID.

```
instanceID = getCheckInstanceIDs(app, 'mathworks.design.UnconnectedLinesPorts');  
checkinstanceID = instanceID(1);  
selectCheckInstances(app, 'IDs', checkinstanceID);
```

Run Model Advisor analysis.

```
run(app);
```

Get analysis results and view the properties of the `ModelAdvisor.SystemResult` and `ModelAdvisor.CheckResult` objects.

```
getResults(app);
```

Close the models.

```
close_system('mdhref_basic');  
close_system('mdhref_counter');
```

See Also

`Advisor.Manager`

Introduced in R2015b

ModelAdvisor.SystemResult

Access system-level Model Advisor results

Description

View Model Advisor results obtained by using the run method.

Creation

To access the properties of a `System.Result` object, apply the `getResults` method to an `Advisor.Application` object.

Properties

system — Model or subsystem that Model Advisor analyzes

character vector

Model or subsystem that the Model Advisor analyzes.

Data Types: `char`

Type — Model component

'Library' | 'Model' | 'Subsystem'

Type of model component that Model Advisor analyzes.

Data Types: `char`

numPass — Number of Model Advisor checks that pass

double

Obtain the number of Model Advisor checks that pass after running the Model Advisor using the run method.

Data Types: `double`

numFail — Number of Model Advisor checks that fail

double

Obtain the number of Model Advisor checks that fail after running the Model Advisor using the run method.

Data Types: `double`

numNotRun — Number of Model Advisor checks that do not run

double

Obtain the number of Model Advisor checks that do not run after running the Model Advisor using the run method.

Data Types: `double`

numWarn — Number of Model Advisor checks that warn

double

Obtain the number of Model Advisor checks that warn after running the Model Advisor using the `run` method.

Number of Model Advisor checks that warn.

Data Types: double

CheckResultObjs — Model Advisor Check results

cell array of ModelAdvisor.CheckResult objects

Cell array containing a ModelAdvisor.CheckResult object for each Model Advisor check. Access these object properties to obtain Model Advisor check results.

Data Types: double

Examples**Run Model Advisor Checks on Referenced Model**

This example shows how to run a check on model `sldemo_mdhref_counter` referenced from `sldemo_mdhref_basic`.

In the Command Window, open model `sldemo_mdhref_basic` and referenced model `sldemo_mdhref_counter`.

```
openExample('sldemo_mdhref_basic');
openExample('sldemo_mdhref_counter');
```

Save a copy of the models to a work folder, renaming them to `mdhref_basic` and `mdhref_counter`.

```
save_system('sldemo_mdhref_basic','mdhref_basic');
save_system('sldemo_mdhref_counter','mdhref_counter');
```

In `mdhref_basic`, change model reference from `sldemo_mdhref_counter` to `mdhref_counter`. Save `mdhref_basic`.

```
set_param('mdhref_basic/CounterA','ModelName','mdhref_counter');
set_param('mdhref_basic/CounterB','ModelName','mdhref_counter');
set_param('mdhref_basic/CounterC','ModelName','mdhref_counter');
save_system('mdhref_basic');
```

Set root model to `mdhref_basic`.

```
RootModel='mdhref_basic';
```

Create an Application object.

```
app = Advisor.Manager.createApplication();
```

Set root analysis.

```
setAnalysisRoot(app,'Root',RootModel);
```

Clear check instances from Model Advisor analysis.

```
deselectCheckInstances(app);
```

Select check **Identify unconnected lines, input ports, and output ports** using check instance ID.

```
instanceID = getCheckInstanceIDs(app, 'mathworks.design.UnconnectedLinesPorts');  
checkinstanceID = instanceID(1);  
selectCheckInstances(app, 'IDs', checkinstanceID);
```

Run Model Advisor analysis.

```
run(app);
```

Get analysis results and view the properties of the `ModelAdvisor.SystemResult` and `ModelAdvisor.CheckResult` objects.

```
Results=getResults(app);
```

Generate and view the Model Advisor report. The Model Advisor runs the check on both `mdlref_basic` and `mdlref_counter`.

```
report = generateReport(app);  
web(report)
```

Close the models.

```
close_system('mdlref_basic');  
close_system('mdlref_counter');
```

See Also

`Advisor.Manager`

Introduced in R2015b

Advisor.authoring.generateConfigurationParameterDataFile

Package: Advisor.authoring

Generate XML data file for custom configuration parameter check

Syntax

```
Advisor.authoring.generateConfigurationParameterDataFile(dataFile,source)
Advisor.authoring.generateConfigurationParameterDataFile(dataFile,source,
Name,Value)
```

Description

`Advisor.authoring.generateConfigurationParameterDataFile(dataFile,source)` generates an XML data file named `dataFile` specifying the configuration parameters for `source`. The data file uses tagging to specify the configuration parameter settings you want. When you create a check for configuration parameters, you use the data file. Each model configuration parameter specified in the data file is a subcheck.

`Advisor.authoring.generateConfigurationParameterDataFile(dataFile,source,Name,Value)` generates an XML data file named `dataFile` specifying the configuration parameters for `source`. It also specifies additional options by one or more optional `Name,Value` arguments. The data file uses tagging to specify the configuration parameter settings you want. When you create a check for configuration parameters, you use the data file. Each model configuration parameter specified in the data file is a subcheck.

Examples

Create data file for configuration parameter check

Create a data file with all the configuration parameters. You use the data file to create a configuration parameter.

```
model = 'vdp';
dataFile = 'myDataFile.xml';
Advisor.authoring.generateConfigurationParameterDataFile( ...
    dataFile, model);
```

Data file `myDataFile.xml` has tagging specifying subcheck information for each configuration parameter. `myDataFile.xml` specifies the configuration parameters settings you want. The following specifies XML tagging for configuration parameter `AbsTol`. If the configuration parameter is set to `1e-6`, the configuration parameter subcheck specified in `myDataFile.xml` passes.

```
<!-- Absolute tolerance: (AbsTol)-->
  <PositiveModelParameterConstraint>
    <parameter>AbsTol</parameter>
```

```
<value>1e-6</value>  
</PositiveModelParameterConstraint>
```

Create data file for Solver pane configuration parameter check with fix action

Create a data file with configuration parameters for the **Solver** pane. You use the data file to create a **Solver** pane configuration parameter check with fix actions.

```
model = 'vdp';  
dataFile = 'myDataFile.xml';  
Advisor.authoring.generateConfigurationParameterDataFile( ...  
    dataFile, model, 'Pane', 'Solver', 'FixValues', true);
```

Data file `myDataFile.xml` has tagging specifying subcheck information for each configuration parameter. `myDataFile.xml` specifies the configuration parameters settings that you want. The following specifies XML tagging for configuration parameter `AbsTol`. If the configuration parameter is set to `1e-6`, the configuration parameter subcheck specified in `myDataFile.xml` passes. If the subcheck does not pass, the check fix action modifies the configuration parameter to `1e-6`.

```
<!-- Absolute tolerance: (AbsTol)-->  
<PositiveModelParameterConstraint>  
  <parameter>AbsTol</parameter>  
  <value>1e-6</value>  
  <fixvalue>1e-6</fixvalue>  
</PositiveModelParameterConstraint>
```

Input Arguments

dataFile — Name of data file to create

character vector

Name of XML data file to create, specified as a character vector.

Example: `'myDataFile.xml'`

source — Name of model or configuration set

character vector | `Simulink.ConfigSet`

Name of model or `Simulink.ConfigSet` object used to specify configuration parameters

Example: `'vdp'`

Name-Value Pair Arguments

Specify optional pairs of arguments as `Name1=Value1, ..., NameN=ValueN`, where `Name` is the argument name and `Value` is the corresponding value. Name-value arguments must appear after other arguments, but the order of the pairs does not matter.

Before R2021a, use commas to separate each name and value, and enclose Name in quotes.

Example: `'Pane', 'Solver', 'FixValues', true` specifies a `dataFile` with Solver pane configuration parameters and fix tagging.

Pane — Limit the configuration parameters in the dataFile

Solver | Data Import/Export | Optimization | Diagnostics | Hardware Implementation | Model Referencing | Code Generation

Option to limit the configuration parameters in the data file to the pane specified as the comma-separated pair of 'Pane' and one of the following:

- Solver
- Data Import/Export
- Optimization
- Diagnostics
- Hardware Implementation
- Model Referencing
- Code Generation

Example: 'Pane', 'Solver' limits the dataFile to configuration parameters on the Solver pane.

Data Types: char

FixValues — Create fix tagging in the dataFile

false | true

Setting FixValues to true provides the dataFile with fix tagging. When you generate a custom configuration parameter check using a dataFile with fix tagging, each configuration parameter subcheck has a fix action. Specified as the comma-separated pair of 'FixValues' and either true or false.

Example: 'FixValues, true specifies fix tagging in the dataFile.

Data Types: logical

See Also**Topics**

“Create Model Advisor Check for Model Configuration Parameters”

“Data File for Configuration Parameter Check”

Introduced in R2014a

Advisor.authoring.generateBlockConstraintsDataFile

Package: Advisor.authoring

(Not recommended) Generate XML data file for custom check for block constraints

Note Advisor.authoring.generateBlockConstraintsDataFile is not recommended. Use Advisor.authoring.createBlockConstraintCheck instead.

For more information, see “Define Model Advisor Checks for Supported and Unsupported Blocks and Parameters”.

Syntax

```
Advisor.authoring.generateBlockConstraintsDataFile(dataFile, 'constraints', constraintslist)
```

Description

Advisor.authoring.generateBlockConstraintsDataFile(dataFile, 'constraints', constraintslist) generates an XML data file named dataFile. This data file specifies the constraints that a custom check contains. The data file uses tagging to specify the constraint information. When you create a custom check, you use the data file.

Define constraint objects in the base workspace and then pass these objects as inputs to this function. These constraints may be root constraints and prerequisites to root constraints. You can also define a composite constraint. If you specify multiple root constraints and no composite constraint, Simulink implements a composite constraint with a CompositeOperator of and.

Examples

Create Data File for Custom Check for Block Constraints

Create a custom check for this MAB check “Check settings for data ports in Multiport Switch blocks” on page 2-195. For Multiport Switch blocks, the check contains a constraint that checks that the **Data port order** parameter setting is Specify indices. If the parameter has this setting, there are constraints that check that the **Data port for default case** parameter setting is Additional data port and the **Diagnostic for default case** setting is None.

Create three PositiveBlockParameter constraint objects.

```
c1 = Advisor.authoring.PositiveBlockParameterConstraint();
c1.ID = 'ID_A2';
c1.BlockType = 'MultiPortSwitch';
c1.ParameterName = 'DataPortOrder';
c1.SupportedParameterValues = {'Specify indices'};
c1.ValueOperator = 'eq';

c2 = Advisor.authoring.PositiveBlockParameterConstraint();
c2.ID = 'ID_A3';
c2.BlockType = 'MultiPortSwitch';
```

```

c2.ParameterName = 'DataPortForDefault';
c2.SupportedParameterValues = {'Additional data port'};
c2.ValueOperator = 'eq';

c3 = Advisor.authoring.PositiveBlockParameterConstraint();
c3.ID = 'ID_A4';
c3.BlockType = 'MultiPortSwitch';
c3.ParameterName = 'DiagnosticForDefault';
c3.SupportedParameterValues = {'None'};
c3.ValueOperator = 'eq';

```

Use the `addPreRequisiteConstraintID` method to make `c1` a prerequisite to checking constraints `c2` and `c3`.

```

c2.addPreRequisiteConstraintID('ID_A2');
c3.addPreRequisiteConstraintID('ID_A2');

```

Create a composite constraint that specifies that if a Multiport Switch block does not meet constraints `c2` and `c3`, the block is in violation of this check.

```

cc = Advisor.authoring.CompositeConstraint();
cc.addConstraintID('ID_A3');
cc.addConstraintID('ID_A4');
cc.CompositeOperator = 'and';

```

Create a data file that contains the constraints.

```

dataFile = 'myDataFile.xml';
Advisor.authoring.generateBlockConstraintsDataFile( ...
    dataFile, 'constraints', {c1,c2,c3,cc});

```

Data file `myDataFile.xml` has tagging specifying the constraint information for the custom check.

```

<?xml version="1.0" encoding="utf-8"?>
<customcheck>
  <checkdata>
    <PositiveBlockParameterConstraint BlockType="MultiPortSwitch" id="ID_A2">
      <parameter type="string">DataPortOrder</parameter>
      <value>Specify indices</value>
      <operator>eq</operator>
    </PositiveBlockParameterConstraint>
    <PositiveBlockParameterConstraint BlockType="MultiPortSwitch" id="ID_A3">
      <parameter type="string">DataPortForDefault</parameter>
      <value>Additional data port</value>
      <operator>eq</operator>
      <dependson>ID_A2</dependson>
    </PositiveBlockParameterConstraint>
    <PositiveBlockParameterConstraint BlockType="MultiPortSwitch" id="ID_A4">
      <parameter type="string">DiagnosticForDefault</parameter>
      <value>None</value>
      <operator>eq</operator>
      <dependson>ID_A2</dependson>
    </PositiveBlockParameterConstraint>
    <CompositeConstraint>
      <ID>ID_A3</ID>
      <ID>ID_A4</ID>
      <operator>and</operator>
    </CompositeConstraint>
  </checkdata>
</customcheck>

```

Note For model configuration parameter constraints, use the function `Advisor.authoring.generateBlockConstraintsDataFile` only when specifying model configuration parameter constraints as prerequisites to block constraints or as part of a composite constraint consisting of both block and model configuration parameter constraints. For other cases, use the function `Advisor.authoring.generateConfigurationParameterDataFile`.

Specify the data file `myDataFile.xml` as an input to the check definition function. To specify and register this check, use this `sl_customization.m` file.

```
function sl_customization(cm)
% SL_CUSTOMIZATION - Model Advisor customization demonstration.

% Copyright 2019 The MathWorks, Inc.

% register custom checks
cm.addModelAdvisorCheckFcn(@defineBlockConstraintCheck);

end

% -----
% defines Model Advisor Check
% -----
function defineBlockConstraintCheck

rec = Advisor.authoring.createBlockConstraintCheck('com.mathworks.sample.blockConstraint');
rec.Title = 'Example of block parameter constraints check';
rec.setCallbackFcn(@(system)(Advisor.authoring.CustomCheck.checkCallback...
    (system)), 'None', 'StyleOne');
rec.TitleTips = 'Example check for block parameter constraints';

% --- data file input parameters
rec.setInputParametersLayoutGrid([1 1]);
inputParam1 = ModelAdvisor.InputParameter;
inputParam1.Name = 'Data File';
inputParam1.Value = 'myDataFile.xml';
inputParam1.Type = 'String';
inputParam1.Description = 'Name or full path of XML data file.';
inputParam1.setRowSpan([1 1]);
inputParam1.setColSpan([1 1]);
rec.setInputParameters({inputParam1});
rec.SupportExclusion = false;
rec.SupportLibrary = true;

% publish check into Demo group.
mdladvRoot = ModelAdvisor.Root;
mdladvRoot.publish(rec, 'Demo');

end
```

Input Arguments

dataFile — Name of data file to create

character vector

Name of XML data file to create, specified as a character vector.

Example: `'myDataFile.xml'`

constraintslist — cell array of constraint objects

cell array of objects

Use these classes to create constraint objects:

- `Advisor.authoring.PositiveBlockParameterConstraint`
- `Advisor.authoring.NegativeBlockParameterConstraint`
- `Advisor.authoring.PositiveModelParameterConstraint`
- `Advisor.authoring.NegativeModelParameterConstraint`
- `Advisor.authoring.PositiveBlockTypeConstraint`
- `Advisor.authoring.NegativeBlockTypeConstraint`
- `Advisor.authoring.CompositeConstraint`

Example: {c1,c2,c3}

Compatibility Considerations

Advisor.authoring.generateBlockConstraintsDataFile is not recommended.

Not recommended starting in R2021b

In previous releases, when authoring a block constraint check, you had to create a separate XML file with the block constraints data and then specify the properties of this XML file as part of the check definition function. Starting in R2021b, the constraint creation is part of the block constraint check definition. Consequently, the `Advisor.authoring.generateBlockConstraintsDataFile` function is not required and the `Advisor.authoring.createBlockConstraintCheck` function has a 'Constraints' name-value argument that accepts a callback to a constraints creation function.

For more information, see “Define Model Advisor Checks for Supported and Unsupported Blocks and Parameters”.

There are no plans to remove `Advisor.authoring.generateBlockConstraintsDataFile`.

See Also

`Advisor.authoring.createBlockConstraintCheck` | `PositiveBlockParameterConstraint` | `NegativeBlockParameterConstraint` | `PositiveBlockTypeConstraint` | `NegativeBlockTypeConstraint` | `CompositeConstraint`

Topics

“Define Model Advisor Checks for Supported and Unsupported Blocks and Parameters”

Introduced in R2018a

Advisor.authoring.createBlockConstraintCheck

Package: Advisor.authoring

Create Model Advisor check with block constraints

Syntax

```
check_obj = Advisor.authoring.createBlockConstraintCheck(
check_ID, 'Constraints', @handle)
check_obj = Advisor.authoring.createBlockConstraintCheck(check_ID)
```

Description

`check_obj = Advisor.authoring.createBlockConstraintCheck(check_ID, 'Constraints', @handle)` creates a `ModelAdvisor.check` object, `check_obj`, assigns it the identifier `check_ID`, and specifies block constraints in the constraints creation function `@handle`.

`check_obj = Advisor.authoring.createBlockConstraintCheck(check_ID)` creates a `ModelAdvisor.check` object, `check_obj`, and assigns it the identifier `check_ID`. Use the `Advisor.authoring.generateBlockConstraintsDataFile` function to create the block constraints data file. Specify the block constraints data file as an input parameter to the `ModelAdvisor.check` object using the `setInputParameters` function. For more information, see `Advisor.authoring.generateBlockConstraintsDataFile`.

Note The `ModelAdvisor.Check` object created by `Advisor.authoring.createBlockConstraintCheck` does not support setting exclusions.

Examples

Create Model Advisor Check from Constraints

This example shows how to specify and register a Model Advisor constraint check. In the function `newCheck`, the `Advisor.authoring.createBlockConstraintCheck` function creates the `ModelAdvisor.check` object `rec` using the constraints created by the function `createConstraints`.

```
function newCheck()

    rec = Advisor.authoring.createBlockConstraintCheck(...
'mathworks.check_0001',...
'Constraints', @createConstraints);

    rec.Title = 'Example1: Check block parameter constraints';
    rec.TitleTips = 'Example check block parameter constraints';

    mdladvRoot = ModelAdvisor.Root;
    mdladvRoot.register(rec);

end
```

```
function constraints = createConstraints()

    c1=Advisor.authoring.PositiveBlockParameterConstraint;
    c1.ID='ID_1';
    c1.BlockType='Constant';
    c1.ParameterName='Value';
    c1.SupportedParameterValues={'1'};
    c1.ValueOperator='eq';

    c2=Advisor.authoring.PositiveBlockParameterConstraint;
    c2.ID='ID_2';
    c2.BlockType='Gain';
    c2.ParameterName='Gain';
    c2.SupportedParameterValues={'1'};
    c2.ValueOperator='gt';

    constraints = {c1,c2};

end
```

Input Arguments

check_ID — Name of Model Advisor check

character vector

Name of model advisor check, specified as a character vector

Example: 'com.mathworks.sample.Check1'

@handle — Constraints creation function

function handle

Constraints creation function, specified as a function handle.

Example: @createConstraints

Output Arguments

check_obj — Model Advisor check

ModelAdvisor.check object

Model Advisor check, returned as a ModelAdvisor.check object

See Also

Advisor.authoring.generateBlockConstraintsDataFile |
 PositiveBlockParameterConstraint | NegativeBlockParameterConstraint |
 PositiveBlockTypeConstraint | NegativeBlockTypeConstraint | CompositeConstraint

Topics

“Define Model Advisor Checks for Supported and Unsupported Blocks and Parameters”

Introduced in R2018a

Advisor.authoring.CustomCheck

Define custom configuration parameter check

Description

Instances of the `Advisor.authoring.CustomCheck` class provide a container for static methods used as callback functions when defining a configuration parameter check. The configuration parameter check is defined in an XML data file.

Object Functions

<code>Advisor.authoring.CustomCheck.actionCallback</code>	Register action callback for model configuration check
<code>Advisor.authoring.CustomCheck.checkCallback</code>	Register check callback for model configuration check

See Also

`Advisor.authoring.DataFile` |
`Advisor.authoring.generateConfigurationParameterDataFile`

Topics

“Create Model Advisor Check for Model Configuration Parameters”

Introduced in R2014a

Advisor.authoring.DataFile

Interact with data file for model configuration checks

Description

The `Advisor.authoring.DataFile` class provides a container for a static method used when interacting with the data file for configuration parameter checks.

Object Functions

`Advisor.authoring.DataFile.validate` Validate XML data file used for model configuration check

See Also

`Advisor.authoring.CustomCheck` |

`Advisor.authoring.generateConfigurationParameterDataFile`

Topics

“Create Model Advisor Check for Model Configuration Parameters”

Introduced in R2014a

Advisor.Manager class

Package: Advisor

Manage applications

Description

The `Advisor.Manager` class defines application objects.

Methods

<code>createApplication</code>	Create <code>Advisor.Application</code> object
<code>getApplication</code>	Return handle to <code>Advisor.Application</code> object
<code>refresh_customizations</code>	Refresh Model Advisor check information cache

Copy Semantics

Handle. To learn how handle classes affect copy operations, see [Copying Objects](#).

See Also

Topics

Class Attributes
Property Attributes

Introduced in R2015b

Advisor.authoring.CustomCheck.checkCallback

Register check callback for model configuration check

Syntax

Advisor.authoring.CustomCheck.checkCallback(system, CheckObj)

Description

Advisor.authoring.CustomCheck.checkCallback(system, CheckObj) is used as the check callback function when registering custom checks that use an XML data file to specify check behavior.

Examples

In the following example, the `sl_customization.m` file registers a configuration parameter check using `Advisor.authoring.CustomCheck.checkCallback(system)`.

```
function defineModelAdvisorChecks

    rec = ModelAdvisor.Check('com.mathworks.Check1');
    rec.Title = 'Test: Check1';
    rec.setCallbackFcn(@(system)(Advisor.authoring.CustomCheck.checkCallback(system)), ...
        'None', 'StyleOne');
    rec.TitleTips = 'Example check for check authoring infrastructure.';

    % --- data file input parameters
    rec.setInputParametersLayoutGrid([1 1]);
    inputParam1 = ModelAdvisor.InputParameter;
    inputParam1.Name = 'Data File';
    inputParam1.Value = 'Check1.xml';
    inputParam1.Type = 'String';
    inputParam1.Description = 'Name or full path of XML data file.';
    inputParam1.setRowSpan([1 1]);
    inputParam1.setColSpan([1 1]);
    rec.setInputParameters({inputParam1});

    % -- set fix operation
    act = ModelAdvisor.Action;
    act.setCallbackFcn(@(task)(Advisor.authoring.CustomCheck.actionCallback(task)));
    act.Name = 'Modify Settings';
    act.Description = 'Modify model configuration settings.';
    rec.setAction(act);

    mdladvRoot = ModelAdvisor.Root;
    mdladvRoot.register(rec);
end
```

See Also

Advisor.authoring.DataFile | Advisor.authoring.CustomCheck.actionCallback |
Advisor.authoring.generateConfigurationParameterDataFile

Topics

“Create Model Advisor Check for Model Configuration Parameters”

Advisor.Manager.createApplication

Class: Advisor.Manager

Package: Advisor

Create Advisor.Application object

Syntax

```
app = Advisor.Manager.createApplication()  
app = Advisor.Manager.createApplication(Name,Value)
```

Description

`app = Advisor.Manager.createApplication()` constructs an `Advisor.Application` object.

`app = Advisor.Manager.createApplication(Name,Value)` constructs an `Advisor.Application` object that operates in a temporary working folder.

Input Arguments

Name-Value Pair Arguments

Specify optional pairs of arguments as `Name1=Value1, . . . ,NameN=ValueN`, where `Name` is the argument name and `Value` is the corresponding value. Name-value arguments must appear after other arguments, but the order of the pairs does not matter.

Before R2021a, use commas to separate each name and value, and enclose Name in quotes.

Example: `'UseTempDir',true` specifies that `Advisor.Application` object operates in a temporary working folder.

UseTempDir — Create Advisor.Application object that operates in a temporary working folder

false (default) | true

Data Types: logical

Output Arguments

app — Application

`Advisor.Application` object

Constructed `Advisor.Application` object.

See Also

`Advisor.Application` | `getApplication`

Introduced in R2015b

delete

Class: `Advisor.Application`

Package: `Advisor`

Delete `Advisor.Application` object

Syntax

```
delete(app)
```

Description

`delete(app)` deletes the `Application` object when you close the root model specified using `Advisor.Application.setAnalysisRoot`. `Application` objects are implicitly closed.

Examples

Create and delete an Application object

Use `delete` to delete an `Application` object.

Create an `Application` object.

```
app = Advisor.Manager.createApplication();
```

Delete the `Application` object.

```
delete(app);
```

Input Arguments

app — `Advisor.Application` object to destroy

handle

`Advisor.Application` object to destroy, as specified by `Advisor.Manager.createApplication`.

See Also

`Advisor.Manager.createApplication` | `setAnalysisRoot`

Introduced in R2015b

deselectCheckInstances

Class: `Advisor.Application`

Package: `Advisor`

Clear check instances from Model Advisor analysis

Syntax

```
deselectCheckInstances(app)
deselectCheckInstances(app,Name,Value)
```

Description

You can clear check instances from Model Advisor analysis. A check instance is an instantiation of a `ModelAdvisor.Check` object in the Model Advisor configuration. When you change the Model Advisor configuration, the check instance ID might change. To obtain the check instance ID, use the `getCheckInstanceIDs` method.

`deselectCheckInstances(app)` clears all check instances from Model Advisor analysis.

`deselectCheckInstances(app,Name,Value)` clears check instances specified by `Name,Value` pair arguments from Model Advisor analysis.

Input Arguments

app — Application

`Advisor.Application` object

`Advisor.Application` object, created by `Advisor.Manager.createApplication`

Name-Value Pair Arguments

Specify optional pairs of arguments as `Name1=Value1, . . . ,NameN=ValueN`, where `Name` is the argument name and `Value` is the corresponding value. Name-value arguments must appear after other arguments, but the order of the pairs does not matter.

Before R2021a, use commas to separate each name and value, and enclose Name in quotes.

IDs — Checks instance IDs

cell array

Check instances to clear from Model Advisor analysis, as specified by a cell array of IDs

Data Types: `cell`

Examples

Clear All Check Instances from Model Advisor Analysis

This example shows how to set the root model, create an Application object, set root analysis, and clear checks instances from Model Advisor analysis.

```
% Open the model
openExample('sldemo_mdref_basic');

% Set root model to sldemo_mdref_basic model
RootModel='sldemo_mdref_basic';

% Create an Application object
app = Advisor.Manager.createApplication();

% Set the Application object root analysis
setAnalysisRoot(app,'Root',RootModel);

% Deselect all checks
deselectCheckInstances(app);
```

Clear Check Instance from Model Advisor Analysis Using Instance ID

This example shows how to set the root model, create an Application object, set root analysis, and deselect checks instances using instance IDs.

```
% Open the model
openExample('sldemo_mdref_basic');

% Set root model to sldemo_mdref_basic model
RootModel='sldemo_mdref_basic';

% Create an Application object
app = Advisor.Manager.createApplication();

% Set the Application object root analysis
setAnalysisRoot(app,'Root',RootModel);

% Deselect "Identify unconnected lines, input ports, and output
% ports" check using instance ID
instanceID = getCheckInstanceIDs(app,'mathworks.design.UnconnectedLinesPorts');
checkinstanceID = instanceID(1);
deselectCheckInstances(app,'IDs',checkinstanceID);
```

See Also

[Advisor.Manager.createApplication](#) | [setAnalysisRoot](#) | [getCheckInstanceIDs](#) | [selectCheckInstances](#)

Introduced in R2015b

deselectComponents

Class: `Advisor.Application`

Package: `Advisor`

Clear model components from Model Advisor analysis

Syntax

```
deselectComponents(app)  
deselectComponents(app,Name,Value)
```

Description

You can clear model components from Model Advisor analysis. A model component is a model in the system hierarchy. Models that the root model references and that `Advisor.Application.setAnalysisRoot` specifies are model components.

`deselectComponents(app)` clears all components from Model Advisor analysis.

`deselectComponents(app,Name,Value)` clears model components specified by `Name,Value` pair arguments from Model Advisor analysis.

Input Arguments

app — Application

`Advisor.Application` object

`Advisor.Application` object, created by `Advisor.Manager.createApplication`

Name-Value Pair Arguments

Specify optional pairs of arguments as `Name1=Value1, ..., NameN=ValueN`, where `Name` is the argument name and `Value` is the corresponding value. Name-value arguments must appear after other arguments, but the order of the pairs does not matter.

Before R2021a, use commas to separate each name and value, and enclose Name in quotes.

IDs — Component IDs

cell array

Components to clear from Model Advisor analysis, as specified by a cell array of IDs

Data Types: `cell`

HierarchicalSelection — Clear component and component children

`false` (default) | `true`

Clear components specified by IDs and component children from Model Advisor analysis

Data Types: `logical`

Examples

Clear All Components from Model Advisor Analysis

This example shows how to set the root model, create an Application object, set root analysis, and clear all components from Model Advisor analysis.

```
% Open the model
openExample('sldemo_mdhref_basic');

% Set root model to sldemo_mdhref_basic model
RootModel='sldemo_mdhref_basic';

% Create an Application object
app = Advisor.Manager.createApplication();

% Set the Application object root analysis
setAnalysisRoot(app, 'Root', RootModel);

% Deselect all components
deselectComponents(app);
```

Clear Components from Model Advisor Analysis Using IDs

This example shows how to set the root model, create an Application object, set root analysis, and clear model components using IDs.

```
% Open the model
openExample('sldemo_mdhref_basic');

% Set root model to sldemo_mdhref_basic model
RootModel='sldemo_mdhref_basic';

% Create an Application object
app = Advisor.Manager.createApplication();

% Set the Application object root analysis
setAnalysisRoot(app, 'Root', RootModel);

% Deselect component using IDs
deselectComponents(app, 'IDs', RootModel);
```

See Also

[Advisor.Manager.createApplication](#) | [setAnalysisRoot](#) | [selectComponents](#)

Introduced in R2015b

generateReport

Class: `Advisor.Application`

Package: `Advisor`

Generate report for Model Advisor analysis

Syntax

```
generateReport(app)
generateReport(app, Name, Value)
```

Description

Generate a Model Advisor report for an `Application` object analysis.

`generateReport(app)` generates a Model Advisor report for each component specified by the `Application` object. By default, a report with the name of the analysis root is generated in the current folder.

`generateReport(app, Name, Value)` generates a Model Advisor report for each component specified by the `Application` object. Use the `Name, Value` pairs to specify the location and name of the report.

Input Arguments

app — Application

`Advisor.Application` object

`Advisor.Application` object, created by `Advisor.Manager.createApplication`

Name-Value Pair Arguments

Specify optional pairs of arguments as `Name1=Value1, ..., NameN=ValueN`, where `Name` is the argument name and `Value` is the corresponding value. Name-value arguments must appear after other arguments, but the order of the pairs does not matter.

Before R2021a, use commas to separate each name and value, and enclose Name in quotes.

Location — Path to report location

character vector

Name — Report name

character vector

Examples

Generate Report

This example shows how to generate a report with the analysis root name in the current folder.

```
% Open the model
openExample('sldemo_mdref_basic');

% Set root model to sldemo_mdref_basic model
RootModel='sldemo_mdref_basic';

% Create an Application object
app = Advisor.Manager.createApplication();

% Set the Application object root analysis
setAnalysisRoot(app,'Root',RootModel);

% Run Model Advisor analysis
run(app);

% Generate report
report = generateReport(app);

% Open the report in web browser
web(report);
```

Generate Report with Specified Name and Location

This example shows how to generate a report with a specified name and location.

```
% Open the model
openExample('sldemo_mdref_basic');

% Set root model to sldemo_mdref_basic model
RootModel='sldemo_mdref_basic';

% Create an Application object
app = Advisor.Manager.createApplication();

% Set the Application object root analysis
setAnalysisRoot(app,'Root',RootModel);

% Run Model Advisor analysis
run(app);

% Generate report in my_work directory
mkdir my_work
report = generateReport(app,'Location','my_work','Name','RootModelReport');

%Open the report in web browser
web(report);
```

See Also

[Advisor.Manager.createApplication](#) | [setAnalysisRoot](#) | [run](#)

Introduced in R2015b

getApplication

Class: Advisor.Manager

Package: Advisor

Return handle to Advisor.Application object

Syntax

```
app = getApplication(Name,Value)
```

Description

app = getApplication(Name,Value) returns the handle to an Advisor.Application object by using the object properties.

Input Arguments

Name-Value Pair Arguments

Specify optional pairs of arguments as Name1=Value1, . . . ,NameN=ValueN, where Name is the argument name and Value is the corresponding value. Name-value arguments must appear after other arguments, but the order of the pairs does not matter.

Before R2021a, use commas to separate each name and value, and enclose Name in quotes.

Example: 'Id',appID returns handle to an Advisor.Application using the object ID.

Id — Advisor.Application object ID

Advisor.Application object

Data Types: function_handle

Root — Root model name

character vector

Data Types: char

RootType — Type of root analysis

'Model' (default) | 'Subsystem'

Data Types: char

Output Arguments

app — Handle to Advisor.Application object

Advisor.Application object

Data Types: function_handle

See Also

Advisor.Application | Advisor.Manager.createApplication

Introduced in R2015b

getCheckInstanceIDs

Class: Advisor.Application

Package: Advisor

Obtain check instance IDs

Syntax

```
CheckInstanceIDs = getCheckInstanceIDs(app)
```

```
CheckInstanceIDs = getCheckInstanceIDs(app, CheckID)
```

Description

Obtain the check instance ID for a check using the check ID. A check instance is an instantiation of a `ModelAdvisor.Check` object in the Model Advisor configuration. When you change the Model Advisor configuration, the check instance ID might change. The check ID is a static identifier that does not change.

`CheckInstanceIDs = getCheckInstanceIDs(app)` returns a cell array of IDs.

`CheckInstanceIDs = getCheckInstanceIDs(app, CheckID)` returns a instance ID for a check.

Input Arguments

app — Application

Advisor.Application object

Advisor.Application object, created by `Advisor.Manager.createApplication`

CheckID — Check ID associated with Model Advisor check

character vector

Check ID associated with Model Advisor check.

Example: `'mathworks.design.UnconnectedLinesPorts'`

Output Arguments

CheckInstanceIDs — Cell array of check instance IDs

cell array

Check instance IDs, returned as a cell array of IDs

Examples

Obtain Check Instance IDs

This example shows how to set the root model, create an Application object, set root analysis, and obtain the check instance ID.

```

% Open the model
openExample('sldemo_mdref_basic');

% Set root model to sldemo_mdref_basic model
RootModel='sldemo_mdref_basic';

% Create an Application object
app = Advisor.Manager.createApplication();

% Set the Application object root analysis
setAnalysisRoot(app,'Root',RootModel);

% Select all check instances
selectCheckInstances(app);

% Obtain check instance IDs
CheckInstanceIDs = getCheckInstanceIDs(app);

```

Obtain Check Instance ID for a Check

This example shows how to set the root model, create an Application object, set root analysis, and obtain the check instance ID for check **Identify unconnected lines, input ports**.

```

% Open the model
openExample('sldemo_mdref_basic');

% Set root model to sldemo_mdref_basic model
RootModel='sldemo_mdref_basic';

% Create an Application object
app = Advisor.Manager.createApplication();

% Set the Application object root analysis
setAnalysisRoot(app,'Root',RootModel);

% Select all check instances
selectCheckInstances(app);

% Obtain check instance ID for Model Advisor check "Identify unconnected lines,
% input ports"
CheckInstanceIDs = getCheckInstanceIDs(app,'mathworks.design.UnconnectedLinesPorts');

```

Alternatives

In the left-hand pane of the Model Advisor window, right-click the check and select **Send Check Instance ID to Workspace**.

See Also

[Advisor.Manager.createApplication](#) | [setAnalysisRoot](#) | [selectCheckInstances](#)

Introduced in R2015b

getEntry

Get table cell contents

Syntax

```
content = getEntry(table, row, column)
```

Description

`content = getEntry(table, row, column)` gets the contents of the specified cell.

Input Arguments

<code>table</code>	Instantiation of the <code>ModelAdvisor.Table</code> class
<code>row</code>	An integer specifying the row
<code>column</code>	An integer specifying the column

Output Arguments

<code>content</code>	An element object or object array specifying the content of the table entry
----------------------	---

Examples

Get the content of the table cell in the third column, third row:

```
table1 = ModelAdvisor.Table(4, 4);  
.  
.  
.  
content = getEntry(table1, 3, 3);
```

See Also

“Customize the Configuration of the Model Advisor Overview”

Topics

“Create Model Advisor Checks”

getID

Return check identifier

Syntax

```
id = getID(check_obj)
```

Description

`id = getID(check_obj)` returns the ID of the check `check_obj`. `id` is a unique identifier for the check.

You create this unique identifier when you create the check. This unique identifier is the equivalent of the `ModelAdvisor.Check ID` property.

See Also

“Customize the Configuration of the Model Advisor Overview”

Topics

“Define Custom Model Advisor Checks”

“Create Model Advisor Checks”

execute

Class: `slmetric.Engine`

Package: `slmetric`

Collect metric data

Syntax

```
execute(metric_engine)
execute(slmetric_obj, MetricIDs)
```

Description

Collect model metric data for the specified metric engine object. The model metric data is based on defined architectural components. The components are these Simulink objects:

- Model
- Subsystem block
- Chart
- MATLAB Function block
- Protected model

`execute(metric_engine)` collects metric data for available model metrics, which can include MathWorks metrics and custom metrics.

`execute(slmetric_obj, MetricIDs)` collects metric data for only the specified metrics, which can be MathWorks metrics or custom metrics.

Input Arguments

metric_engine — Metric engine object

`slmetric.Engine` object

Create a `slmetric.Engine` object.

```
metric_engine = slmetric.Engine();
```

MetricIDs — Metric identifier

character vector | cell array of character vectors

Metric identifier for “Model Metrics” on page 2-289 or custom model metrics that you create. You can specify one or multiple metric identifiers. You can get metric identifiers by calling `slmetric.metric.getAvailableMetrics`.

Example: `'mathworks.metrics.DescriptiveBlockNames'`

Examples

Collect and Access Metric Data for a Model

Collect and access model metric data for the model `sldemo_mdref_basic`.

Open the model.

```
openExample('sldemo_mdref_basic');
```

Create an `slmetric.Engine` object and set the root in the model for analysis.

```
metric_engine = slmetric.Engine();
```

```
% Include referenced models and libraries in the analysis.
```

```
% These properties are on by default.
```

```
metric_engine.ModelReferencesSimulationMode = 'AllModes';
```

```
metric_engine.AnalyzeLibraries = 1;
```

```
setAnalysisRoot(metric_engine, 'Root', 'sldemo_mdref_basic');
```

Collect model metric data

```
execute(metric_engine);
```

Get the model metric data that returns an array of `slmetric.metric.ResultCollection` objects, `res_col`.

```
res_col = getMetrics(metric_engine, 'mathworks.metrics.SimulinkBlockCount');
```

Display the results for the `mathworks.metrics.SimulinkBlockCount` metric.

```
for n=1:length(res_col)
    if res_col(n).Status == 0
        result = res_col(n).Results;

        for m=1:length(result)
            disp(['MetricID: ', result(m).MetricID]);
            disp([' ComponentPath: ', result(m).ComponentPath]);
            disp([' Value: ', num2str(result(m).Value)]);
            disp([' AggregatedValue: ', num2str(result(m).AggregatedValue)]);
        end
    else
        disp(['No results for:', result(n).MetricID]);
    end
    disp(' ');
end
```

Collect and Access Metric Data for One Metric

Collect and access model metric data for the model `sldemo_mdref_basic`.

Open the model.

```
openExample('sldemo_mdref_basic');
```

Create an `slmetric.Engine` object. Include referenced models and libraries in the analysis and set the root in the model for analysis.

```
metric_engine = slmetric.Engine();
```

```
metric_engine.ModelReferencesSimulationMode = 'AllModes';
```

```
metric_engine.AnalyzeLibraries = 1;
```

```
setAnalysisRoot(metric_engine, 'Root', 'sldemo_mdref_basic');
```

Collect model metric data

```
execute(metric_engine, 'mathworks.metrics.ExplicitIOCount');
```

Get the model metric data that returns an array of `slmetric.metric.ResultCollection` objects, `res_col`.

```
res_col = getMetrics(metric_engine, 'mathworks.metrics.ExplicitIOCount');
```

Display the results for the `mathworks.metrics.ExplicitIOCount` metric.

```
for n=1:length(res_col)
    if res_col(n).Status == 0
        result = res_col(n).Results;

        for m=1:length(result)
            disp(['MetricID: ', result(m).MetricID]);
            disp([' ComponentPath: ', result(m).ComponentPath]);
            disp([' Value: ', num2str(result(m).Value)]);
            disp([' AggregatedValue: ', num2str(result(m).AggregatedValue)]);
            disp([' Measures: ', num2str(result(m).Measures)]);
            disp([' AggregatedMeasures: ', num2str(result(m).AggregatedMeasures)]);
        end
    else
        disp(['No results for:', result(n).MetricID]);
    end
    disp(' ');
end
```

Here are the results:

```
MetricID: mathworks.metrics.ExplicitIOCount
ComponentPath: sldemo_mdref_basic
Value: 3
AggregatedValue: 4
Measures: 0 3
AggregatedMeasures: 3 3
MetricID: mathworks.metrics.ExplicitIOCount
ComponentPath: sldemo_mdref_basic/More Info
Value: 0
AggregatedValue: 0
Measures: 0 0
AggregatedMeasures: 0 0
MetricID: mathworks.metrics.ExplicitIOCount
ComponentPath: sldemo_mdref_counter
Value: 4
AggregatedValue: 4
Measures: 3 1
AggregatedMeasures: 3 1
```

For the `ComponentPath: sldemo_mdref_basic`, the value is 3 because there are 3 outputs. The three outputs are in the second element of the `Measures` array. The `slmetric.metric.AggregationMode` is `Max`, so the `AggregatedValue` is 4 which is the number of inputs and outputs to `sldemo_mdref_counter`. The `AggregatedMeasures` array contains the maximum number of inputs and outputs for a component or subcomponent.

See Also

`slmetric.metric.ResultCollection` | `slmetric.metric.getAvailableMetrics`

Topics

“Collect Model Metrics Programmatically”

“Model Metrics” on page 2-289

Introduced in R2016a

getAnalysisRootMetric

Class: `slmetric.Engine`

Package: `slmetric`

Get metric data for one metric for analysis root only

Syntax

```
metricResult = getAnalysisRootMetric(metric_engine, MetricID)
```

Description

Get metric data from the metric engine where the root of analysis was set using `setAnalysisRoot`.

`metricResult = getAnalysisRootMetric(metric_engine, MetricID)` get the metric data from `metric_engine`, for a specified metric identifier, `MetricID`, only for the analysis root.

Input Arguments

metric_engine — Collects and accesses metric data

`slmetric.Engine` object

When you call `execute`, `metric_engine` collects metric data for all available metrics or for the specified `MetricID`. Calling `getMetrics` accesses the collected metric data in `metric_engine`.

MetricID — Metric identifier

character vector

Metric identifier for “Model Metrics” on page 2-289 or custom model metrics, that you create. You can get metric identifiers by calling `slmetric.metric.getAvailableMetrics`.

Example: `'mathworks.metrics.DescriptiveBlockNames'`

Output Arguments

metricResult — Result of metric analysis on the analysis root

`slmetric.metric.Result` object

Outputs the object of the `slmetric.metric.Result` object containing the result data for the requested analysis root and metric.

Examples

Collect and Access Metric Data for the Analysis Root

This example shows how to set the analysis root, collect, and access the metric data for a metric.

```
% Create an slmetric.Engine object  
metric_engine = slmetric.Engine();
```

```
% Specify the model for metric analysis
setAnalysisRoot(metric_engine, 'Root', 'sldemo_fuelsys');

% Collect model metrics for only the analysis root
metricID = 'mathworks.metrics.SimulinkBlockCount';
execute(metric_engine, metricID);

metricResult = getAnalysisRootMetric(metric_engine, metricID);
```

See Also

`slmetric.metric.ResultCollection` | `slmetric.metric.getAvailableMetrics`

Topics

“Collect Model Metrics Programmatically”

“Model Metrics” on page 2-289

Introduced in R2017a

getErrorLog

Class: slmetric.Engine

Package: slmetric

Get error log

Syntax

```
metricLog = getErrorLog(metric_engine)
```

Description

Get a log of errors and warnings that occurred during metric data collection of a specified metric engine object. The log includes errors that occurred during the execution of metric algorithms, model compilation, and metric data validation.

```
metricLog = getErrorLog(metric_engine).
```

Input Arguments

metric_engine — Metric engine object

slmetric.Engine object

Constructed slmetric.Engine object.

Output Arguments

metricLog — Log of metric errors and warnings

string array

The metricLog string contains the errors and warnings from metric analysis and is formatted in HTML.

Examples

Get Error Log

This example shows how to create a slmetric.Engine object, set the analysis root, generate metrics, and create and display the error log for the model sldemo_fuelsys.

```
% Create an slmetric.Engine object
metric_engine = slmetric.Engine();

% Specify model for metric analysis
setAnalysisRoot(metric_engine, 'Root', 'sldemo_fuelsys');

% Collect model metrics for only the analysis root
metricID = 'mathworks.metrics.SimulinkBlockCount';
```



```
execute(metric_engine, metricID);  
  
metricLog = getErrorLog(metric_engine);  
disp(metricLog);
```

See Also

`slmetric.metric.ResultCollection` | `slmetric.metric.getAvailableMetrics`

Topics

“Collect Model Metrics Programmatically”

“Model Metrics” on page 2-289

Introduced in R2017a

getMetricDistribution

Class: `slmetric.Engine`

Package: `slmetric`

Get metric distribution

Syntax

```
getMetricDistribution(metric_engine, MetricID)
```

Description

`getMetricDistribution(metric_engine, MetricID)` generates distribution for a specific metric, `MetricID`, for the metric data in the `slmetric.Engine` object, `metric_engine`. The distribution is on the metric data from the `Value` property of a `slmetric.metric.Result` object.

Input Arguments

metric_engine — Collects and accesses metric data

`slmetric.Engine` object

When you call `execute`, `metric_engine` collects metric data for all available metrics or for the specified `MetricID`. Calling `getMetrics` accesses the collected metric data in `metric_engine`.

MetricID — Metric identifier

character vector

Metric identifier for a model metric, specified as a character vector.

Example: `'mathworks.metrics.DescriptiveBlockNames'`

Output Arguments

dist — Distribution of the metric data

`slmetric.metric.MetricDistribution` object

Distribution of the metric data contains the following properties:

- `MetricID` is a `char` array that returns the metric ID specified in the `getMetricDistribution` function call.
- `BinCounts` is an `uint64` array of the number of components corresponding to a bin.
- `BinEdges` is a `double` array of equally spaced edges of each bin.

Examples

Generate Metric Distribution

To generate the distribution for a specific metric, create a `slmetric.Engine` object, set the analysis root for the `sldemo_fuelsys` model, and create a histogram of the data. The histogram shows the number of components corresponding to a number of blocks.

```
% Create an slmetric.Engine object
metric_engine = slmetric.Engine();

% Specify model for metric analysis
setAnalysisRoot(metric_engine, 'Root', 'sldemo_fuelsys');

% Collect model metrics and get distribution
metricID = 'mathworks.metrics.SimulinkBlockCount';
execute(metric_engine, metricID);
dist = getMetricDistribution(metric_engine, metricID);

% View the distribution using a histogram.
histogram('BinEdges',dist.BinEdges,'BinCounts',dist.BinCounts);
```

See Also

`slmetric.Engine` | `slmetric.metric.Result` | `slmetric.metric.ResultCollection` | `slmetric.metric.getAvailableMetrics` | `histcounts`

Topics

“Collect Model Metrics Programmatically”

“Model Metrics” on page 2-289

Introduced in R2017a

getMetrics

Class: `slmetric.Engine`

Package: `slmetric`

Access model metric data

Syntax

```
Results = getMetrics(metric_engine)
Results = getMetrics(metric_engine, MetricIDs)
Results = getMetrics(metric_engine, MetricIDs, 'AggregationDepth', ad)
```

Description

Access model metric data from the specified model metric engine. When you call `execute`, the metric engine collects the metric data. The returned metric data is based on defined architectural components. The components are these Simulink objects:

- Model
- Subsystem block
- Chart
- MATLAB Function block
- Protected model

`Results = getMetrics(metric_engine)` returns metric data for all metrics that the metric engine executed.

`Results = getMetrics(metric_engine, MetricIDs)` returns metric data for the specified metric identifiers.

`Results = getMetrics(metric_engine, MetricIDs, 'AggregationDepth', ad)` returns metric data for the specified metric identifiers and specifying how to aggregate data.

Input Arguments

metric_engine — Collects and accesses metric data

`slmetric.Engine` object

When you call `execute`, `metric_engine` collects metric data for all available MathWorks metrics or for the specified `MetricIDs`. Calling `getMetrics` accesses the collected metric data in `metric_engine`.

MetricIDs — Metric identifier

character vector | cell array of character vectors

Metric identifier for “Model Metrics” on page 2-289 or custom model metrics that you create. You can specify one or multiple metric identifiers. You can get metric identifiers by calling `slmetric.metric.getAvailableMetrics`.

Example: `'mathworks.metrics.DescriptiveBlockNames'`

AggregationDepth — Depth or level in the component hierarchy to which getMetrics aggregates the metric data

All (default) | None

Depth or level in the component for which `getMetrics` aggregates the metric data, specified as a name-value pair argument. Values are one of the following:

- **All** — `getMetrics` aggregates the detailed results to the component level. Then, the component level results are used to calculate the aggregated values by traversing the component hierarchy. `getMetrics` returns only the component-level results.
- **None** — Do not aggregate measures and values. If you specify this option, `getMetrics` returns metric values as collected by the metric algorithm. For example, if the metric algorithm returns detailed results, the detailed results are returned without aggregation. `AggregatedValue` and `AggregatedMeasures` properties of the returned `slmetric.metric.Result` objects are empty.

Example: `'AggregationDepth', 'None'`

Data Types: char

Output Arguments

Results — Metric data from the metric engine

array of `slmetric.metric.ResultCollection` objects

Metric data from the metric engine.

Examples

Collect and Access Metric Data for a Model

Collect and access model metric data for the model `sldemo_mdref_basic`.

Open the model

```
openExample('sldemo_mdref_basic');
```

Create an `slmetric.Engine` object and set the root in the model for analysis.

```
metric_engine = slmetric.Engine();

% Include referenced models and libraries in the analysis.
% These properties are on by default.
metric_engine.ModelReferencesSimulationMode = 'AllModes';
metric_engine.AnalyzeLibraries = 1;

setAnalysisRoot(metric_engine, 'Root', 'sldemo_mdref_basic');
```

Collect model metric data

```
execute(metric_engine, 'mathworks.metrics.SimulinkBlockCount');
```

Get the model metric data that returns an array of `slmetric.metric.ResultCollection` objects, `res_col`.

```
res_col = getMetrics(metric_engine, 'mathworks.metrics.SimulinkBlockCount');
```

Display the results for the `mathworks.metrics.SimulinkBlockCount` metric.

```
for n=1:length(res_col)
    if res_col(n).Status == 0
        result = res_col(n).Results;

        for m=1:length(result)
            disp(['MetricID: ', result(m).MetricID]);
            disp([' ComponentPath: ', result(m).ComponentPath]);
            disp([' Value: ', num2str(result(m).Value)]);
            disp([' AggregatedValue: ', num2str(result(m).AggregatedValue)]);
        end
    else
        disp(['No results for:', result(n).MetricID]);
    end
    disp(' ');
end
```

See Also

`slmetric.metric.Result` | `slmetric.metric.ResultCollection` |
`slmetric.metric.getAvailableMetrics`

Topics

“Collect Model Metrics Programmatically”
“Model Metrics” on page 2-289

Introduced in R2016a

getResults

Class: Advisor.Application

Package: Advisor

Access Model Advisor analysis results

Syntax

Results = getResults(app)

Results = getResults(app,Name,Value)

Description

Access Application object analysis results.

Results = getResults(app) provides access to Model Advisor analysis results.

Results = getResults(app,Name,Value)

Input Arguments

app — Application

Advisor.Application object

Advisor.Application object, created by Advisor.Manager.createApplication

Name-Value Pair Arguments

Specify optional pairs of arguments as Name1=Value1,...,NameN=ValueN, where Name is the argument name and Value is the corresponding value. Name-value arguments must appear after other arguments, but the order of the pairs does not matter.

Before R2021a, use commas to separate each name and value, and enclose Name in quotes.

IDs — Component IDs

cell array

Component IDs, as specified as a cell array of IDs

Data Types: cell

Output Arguments

Result — Analysis results

cell array of ModelAdvisor.SystemResult objects

Analysis results, returned as a cell array of ModelAdvisor.SystemResult objects.

See Also

Advisor.Manager.createApplication | setAnalysisRoot | run | selectCheckInstances |
deselectCheckInstances | ModelAdvisor.run

Introduced in R2015b

getStatistics

Class: `slmetric.Engine`

Package: `slmetric`

Get statistics on metric data

Syntax

```
stats = getStatistics(metric_engine, MetricID)
```

Description

Generate statistics on the `Value` properties of the `slmetric.metric.Result` objects for the specified metric engine object, `metric_engine`.

`stats = getStatistics(metric_engine, MetricID)` generate statistics for the specified metric identifier.

Input Arguments

metric_engine — Collects and accesses metric data

`slmetric.Engine` object

When you call `execute`, `metric_engine` collects metric data for all available metrics or for the specified `MetricID`. Calling `getMetrics` accesses the collected metric data in `metric_engine`.

MetricID — Metric identifier

character vector

Metric identifier for “Model Metrics” on page 2-289 or custom model metrics that you create. You can get metric identifiers by calling `slmetric.metric.getAvailableMetrics`.

Example: `'mathworks.metrics.DescriptiveBlockNames'`

Output Arguments

stats — Metric statistics

`slmetric.metric.Statistics` object

The `Statistics` object contains the following properties:

- `MinValue` is a double that returns the minimum of the `Value` of the `slmetric.metric.Result` object.
- `MaxValue` is a double that returns the maximum of the `Value` of the `slmetric.metric.Result` object.
- `MeanValue` is a double that returns the mean of the `Value` of the `slmetric.metric.Result` object.
- `StandardDeviation` is a double that returns the standard deviation of the `Value` of the `slmetric.metric.Result` object.

Examples

Collect Statistics

This example shows how to create a `slmetric.Engine` object, set the analysis root, collect the block count metric, and collect statistics for the model `sldemo_fuelsys`.

```
% Create an slmetric.Engine object
metric_engine = slmetric.Engine();

% Specify model for metric analysis
setAnalysisRoot(metric_engine, 'Root','sldemo_fuelsys');

% Generate and collect model metrics
metricID = 'mathworks.metrics.SimulinkBlockCount';
execute(metric_engine, metricID);
stats = getStatistics(metric_engine, metricID);
```

See Also

`slmetric.metric.ResultCollection` | `slmetric.metric.getAvailableMetrics`

Topics

“Collect Model Metrics Programmatically”
“Model Metrics” on page 2-289

Introduced in R2017a

loadConfiguration

Class: `Advisor.Application`

Package: `Advisor`

Load Model Advisor configuration

Syntax

```
loadConfiguration(app, filename)
```

Description

`loadConfiguration(app, filename)` loads a Model Advisor configuration MAT-file.

Input Arguments

app — Application

`Advisor.Application` object

`Advisor.Application` object, created by `Advisor.Manager.createApplication`

filename — Name of Model Advisor configuration MAT-file

character vector

Name of Model Advisor configuration MAT-file, specified as a character vector.

Example: `'MyConfiguration.mat'`

Data Types: `char`

See Also

`Advisor.Manager.createApplication` | `setAnalysisRoot`

Introduced in R2015b

mdltransformer

Open Model Transformer

Syntax

```
mdltransformer(model)
```

Description

`mdltransformer(model)` opens the Model Transformer for a model specified by `model`. If the specified model is not open, this command opens it.

Examples

Open Model Transformer for model

Open the Model Transformer for `fuel_rate_control` example model:

```
mdltransformer('fuel_rate_control')
```

Input Arguments

model — Model name

character vector

Model name or handle, specified as a character vector.

Data Types: `char`

See Also

Topics

“Transform Model to Variant System”

“Improve Model Readability by Eliminating Local Data Store Blocks”

“Improve Efficiency of Simulation by Optimizing Prelookup Operation of Lookup Table Blocks”

“Improve Code Efficiency by Merging Multiple Interpolation Using Prelookup Blocks”

Introduced in R2016b

metricsdashboard

Open Metrics Dashboard

Syntax

```
metricsdashboard(system)
```

Description

`metricsdashboard(system)` opens the Metrics Dashboard for a system specified by `system`. The *system* can be either a model name or a block path to a subsystem. The system cannot be a Configurable Subsystem block.

Examples

Open Metrics Dashboard for system

Open the Metrics Dashboard for vdp example model:

```
metricsdashboard('vdp')
```

Input Arguments

system — System name

character vector

System name, specified as a character vector.

Data Types: char

See Also

Topics

“Collect and Explore Metric Data by Using the Metrics Dashboard”

Introduced in R2017b

slmetric.metric.Metric class

Package: slmetric.metric

Abstract class for creating model metrics

Description

Abstract base class for creating model metrics. To create a model metric, create a MATLAB® class that derives from the `slmetric.metric.Metric` class.

Properties

CompileContext — Compile mode

character vector

Compile mode for metric calculation. If your model metric requires model compilation, specify `PostCompile`. If your model metric does not require model compilation, specify `None`.

Example: `'PostCompile'`

Data Types: char

ComponentScope — Component scope

array of `Advisor.component.Types` enum values

Model components for which metric is calculated. The metric is calculated for all components that match the type.

Description — Metric description

character vector

Metric description.

Data Types: char

ID — Metric ID

character vector

Unique metric identifier.

Data Types: char

Version — Metric version number

integer

Use this property to communicate changes in your metric algorithm to the metric engine.

Data Types: uint32

Name — Name of the metric algorithm

character vector

Specify a name for the custom metric algorithm.

Data Types: char

ValueName — Name of the collected value

character vector

Specify a name for the value that the metric collects. When you view detailed results in the Metrics Dashboard, the `ValueName` is the column header for the collected value in the table and tree views.

Data Types: char

AggregatedValueName — Name of the aggregated value

character vector

Specify a name for the aggregated value that the metric collects. To specify this property, set `AggregationMode` to `None`. When you view detailed results in the Metrics Dashboard, the `AggregatedValueName` is the column header for the collected aggregated value in the table and tree views.

Data Types: char

MeasuresNames — Names of the collected measures

cell array of character vectors

Specify the names of the measures collected by the metric. Set this property only if the metric algorithm writes measures to the result object that the algorithm returns. When you view detailed results in the Metrics Dashboard, the `MeasuresNames` are column headers for the collected measures in the table and tree views.

Data Types: char

AggregatedMeasuresNames — Names of the aggregated measures

cell array of character vectors

Specify the names of the aggregated measures collected by the metric. Set this property only if the metric algorithm writes measures to the result object that the algorithm returns and `AggregationMode` is set to `None`. When you view detailed results in the Metrics Dashboard, the `AggregatedMeasuresNames` are column headers for the collected aggregated measures in the table and tree views.

Data Types: char

ResultChecksumCoverage — Reuse metric data

logical

If `true`, results produced by the metric algorithm change only if the model or library source files change. If the source file and the metric `Version` have not changed, metric data is not regenerated. If `false`, each call to `slmetric.Engine.execute` collects new data for this metric and stores it in the metric repository.

Data Types: logical

AggregationMode — How the metric algorithm aggregates the metric data

character array

Specify the operation to aggregate the `slmetric.metric.Result` object properties `Value` and `Measure` across the component hierarchy. The metric algorithm outputs the aggregated values in the

`slmetric.metric.Result` object properties `AggregatedValues` and `AggregatedMeasures`. Options are:

- **Sum**: Returns the sum of the `Value` property and the `Value` properties of all its children components across the component hierarchy.
- **Max**: Returns the maximum of the `Value` property and the `Value` properties of all its children components across the component hierarchy.
- **None**: No aggregation of metric values.

Data Types: `char`

SupportsResultDetails — Specify whether Details property contains data

Specify whether the `slmetric.metric.Result` object property `Details` contains data. The default value is `false`. Metrics Dashboard filters are enabled when you set the value of this property to `false`.

Data Types: `logical`

Methods

`algorithm` Specify logic for metric data analysis

See Also

`slmetric.Engine` | `slmetric.metric.Result` | `slmetric.metric.createNewMetricClass` | `slmetric.metric.getAvailableMetrics`

Topics

“Create a Custom Model Metric for Nonvirtual Block Count”
“Model Metrics” on page 2-289

Introduced in R2016a

algorithm

Class: `slmetric.metric.Metric`

Package: `slmetric.metric`

Specify logic for metric data analysis

Syntax

```
Result = algorithm(Metric,Component)
```

Description

Specify logic for metric algorithm analysis. Custom-authored metric algorithms are not called for library links and external MATLAB file components.

`Result = algorithm(Metric,Component)` specifies logic for metric algorithm analysis.

Input Arguments

Metric — New model metric class

`slmetric.metric.Metric` object

Model metric class you are defining for a new metric.

Component — Component for metric analysis

`Advisor.component.Component` object

Instance of `Advisor.component.Component` for metric analysis.

Output Arguments

Result — Algorithm result data

array of `slmetric.metric.Result` objects

Algorithm data, returned as an array of `slmetric.metric.Result` objects.

Examples

Create Metric Algorithm for Nonvirtual Block Count

This example shows how to use the `algorithm` method to create a nonvirtual block count metric.

Using the `createNewMetricClass` function, create a metric class with the name `nonvirtualblockcount`. The function creates the `nonvirtualblockcount.m` file in the current working folder.

```
className = 'nonvirtualblockcount';
slmetric.metric.createNewMetricClass(className);
```

Open and edit the metric algorithm file `nonvirtualblockcount.m`. The file contains an empty metric algorithm method.

```
edit(className);
```

Copy and paste the following code into the `nonvirtualblockcount.m` file. Save `nonvirtualblockcount.m`. The code provides a metric algorithm for counting the nonvirtual blocks.

```
classdef nonvirtualblockcount < slmetric.metric.Metric
    % nonvirtualblockcount calculate number of non-virtual blocks per level.
    % BusCreator, BusSelector and BusAssign are treated as non-virtual.
    properties
        VirtualBlockTypes = {'Demux','From','Goto','Ground', ...
            'GotoTagVisiblity','Mux','SignalSpecification', ...
            'Terminator','Inport'};
    end

    methods
        function this = nonvirtualblockcount()
            this.ID = 'nonvirtualblockcount';
            this.Version = 1;
            this.CompileContext = 'None';
            this.Description = 'Algorithm that counts nonvirtual blocks per level.';
            this.ComponentScope = [Advisor.component.Types.Model, ...
                Advisor.component.Types.SubSystem];
        end

        function res = algorithm(this, component)
            % create a result object for this component
            res = slmetric.metric.Result();

            % set the component and metric ID
            res.ComponentID = component.ID;
            res.MetricID = this.ID;

            % use find_system to get all blocks inside this component
            blocks = find_system(getComponentSource(component), ...
                'FollowLinks','on', 'SearchDepth', 1, ...
                'Type','Block', ...
                'FollowLinks','On');

            isNonVirtual = true(size(blocks));

            for n=1:length(blocks)
                blockType = get_param(blocks{n}, 'BlockType');

                if any(strcmp(this.VirtualBlockTypes, blockType))
                    isNonVirtual(n) = false;
                else
                    switch blockType
                        case 'SubSystem'
                            % Virtual unless the block is conditionally executed
                            % or the Treat as atomic unit check box is selected.
                            if strcmp(get_param(blocks{n}, 'IsSubSystemVirtual'), ...
                                'on')
                                isNonVirtual(n) = false;
                            end
                        case 'Outputport'
                            % Outputport: Virtual when the block resides within
                            % any SubSystem block (conditional or not), and
                            % does not reside in the root (top-level) Simulink window.
                            if component.Type ~= Advisor.component.Types.Model
                                isNonVirtual(n) = false;
                            end
                        case 'Selector'
                            % Virtual only when Number of input dimensions
                            % specifies 1 and Index Option specifies Select
                            % all, Index vector (dialog), or Starting index (dialog).
                            nod = get_param(blocks{n}, 'NumberOfDimensions');
                            ios = get_param(blocks{n}, 'IndexOptionArray');

                            ios_settings = {'Assign all', 'Index vector (dialog)', ...
                                'Starting index (dialog)'};

                            if nod == 1 && any(strcmp(ios_settings, ios))
                                isNonVirtual(n) = false;
                            end
                    end
                end
            end
        end
    end
end
```

```

        end
    case 'Trigger'
        % Virtual when the output port is not present.
        if strcmp(get_param(blocks{n}, 'ShowOutputPort'), 'off')
            isNonVirtual(n) = false;
        end
    case 'Enable'
        % Virtual unless connected directly to an Outport block.
        isNonVirtual(n) = false;

        if strcmp(get_param(blocks{n}, 'ShowOutputPort'), 'on')
            pc = get_param(blocks{n}, 'PortConnectivity');

            if ~isempty(pc.DstBlock) && ...
                strcmp(get_param(pc.DstBlock, 'BlockType'), ...
                    'Outport')
                isNonVirtual(n) = true;
            end
        end
    end
end
end
end
end

blocks = blocks(isNonVirtual);

res.Value = length(blocks);
end
end
end

```

See Also

`slmetric.metric.createNewMetricClass` | `slmetric.metric.Result`

Topics

“Create a Custom Model Metric for Nonvirtual Block Count”

“Model Metrics” on page 2-289

Introduced in R2016a

slmetric.metric.ResultDetail class

Package: `slmetric.metric`

Details about instances of `slmetric.metric.Result` objects

Description

Details about what the metric engine counts for the `slmetric.metric.Result` object property `Value`.

Construction

Calling the `slmetric.Engine.execute` method creates the `slmetric.metric.Result` objects, which optionally includes the `slmetric.metric.ResultDetail` objects. `Details1 = slmetric.metric.ResultDetail = (ID, Name)` creates an `slmetric.metric.ResultDetail` object. You must supply the ID and Name as inputs to the constructor.

Properties

ID — Unique identifier

character vector

Unique identifier for the entity that the result detail instance counts. This property is read/write.

Data Types: `char`

Name — Name of model entity

character vector

Name of model entity that result detail instance counts. This property is read/write.

Data Types: `char`

Value — Value of ID property

double

Scalar value generated by metric algorithm for ID. This property is read/write.

Data Types: `double`

Methods

`setGroup` Set the name and identifier for a group of `slmetric.metric.ResultDetail` objects

`getGroupIdentifier` Obtain the identifier for a group of `slmetric.metric.ResultDetail` objects

`getGroupName` Obtain the name for a group of `slmetric.metric.ResultDetail` objects

Examples

Obtain Clone Group Names and Identifiers

Use the `getGroupName` and `getGroupIdentifier` methods to obtain the name and identifier for a group of clones.

Open the example model.

```
open_system([docroot '\toolbox\simulink\examples\ex_clone_detection.slx']);
```

Save the example model to your current working folder.

Call the `execute` method. Apply the `getMetrics` method for the `mathworks.metric.CloneDetection` metric.

```
metric_engine = slmetric.Engine();
setAnalysisRoot(metric_engine, 'Root', 'ex_clone_detection', 'RootType', 'Model');
execute(metric_engine);
rc = getMetrics(metric_engine, 'mathworks.metrics.CloneDetection');
```

For each `slmetric.metric.Result` object, display the `ComponentPath`. For each `slmetric.metric.ResultDetail` object, display the clone group name and identifier.

```
for n=1:length(rc.Results)
    if rc.Results(n).Value > 0
        for m=1:length(rc.Results(n).Details)
            disp(['ComponentPath: ', rc.Results(n).ComponentPath]);
            disp(['Group Name: ', rc.Results(n).Details(m).getGroupName]);
            disp(['Group Identifier: ', rc.Results(n).Details(m).getGroupIdentifier]);
        end
    else
        disp(['No results for ComponentPath: ', rc.Results(n).ComponentPath]);
    end
    disp(' ');
end
```

The results show that the model contains one clone group, `CloneGroup1`, which contains two clones.

Set Group Names and Group Identifiers for a Custom Model Metric

Use the `setGroup` method to group detailed results. When you create a custom model metric, you apply this method as part of the `algorithm` method.

Using the `createNewMetricClass` function, create a metric class named `DataStoreCount`. This metric counts the number of Data Store Read and Data Store Write blocks and groups them together by the corresponding Data Store Memory block. The `createNewMetricClass` function creates a file, `DataStoreCount.m` in the current working folder. The file contains a constructor and empty metric algorithm method. For this example, make sure that you are working in a writable folder.

```
className = 'DataStoreCount';
slmetric.metric.createNewMetricClass(className);
```

To write the metric algorithm, open the `DataStoreCount.m` file and add the metric to the file. For this example, you can create the metric algorithm by copying this logic into the `DataStoreCount.m` file.

```
classdef DataStoreCount < slmetric.metric.Metric
    % Count the number of Data Store Read and Data Store Write
    % blocks and correlate them across components.

    methods
        function this = DataStoreCount()
```

```

this.ID = 'DataStoreCount';
this.ComponentScope = [Advisor.component.Types.Model, ...
    Advisor.component.Types.SubSystem];
this.AggregationMode = slmetric.AggregationMode.Sum;
this.CompileContext = 'None';
this.Version = 1;
this.SupportsResultDetails = true;

%Textual information on the metric algorithm
this.Name = 'Data store usage';
this.Description = 'Metric that counts the number of Data Store Read and Write';
    'blocks and groups them by the corresponding Data Store Memory block.';

end

function res = algorithm(this, component)
% Use find_system to get all blocks inside this component.
dswBlocks = find_system(getPath(component), ...
    'SearchDepth', 1, ...
    'BlockType', 'DataStoreWrite');
dsrBlocks = find_system(getPath(component), ...
    'SearchDepth', 1, ...
    'BlockType', 'DataStoreRead');

% Create a ResultDetail object for each data store read and write block.
% Group ResultDetails by the data store name.
details1 = slmetric.metric.ResultDetail.empty();
for i=1:length(dswBlocks)
    details1(i) = slmetric.metric.ResultDetail(getfullname(dswBlocks{i}),...
        get_param(dswBlocks{i}, 'Name'));
    groupID = get_param(dswBlocks{i}, 'DataStoreName');
    groupName = get_param(dswBlocks{i}, 'DataStoreName');
    details1(i).setGroup(groupID, groupName);
    details1(i).Value = 1;
end

details2 = slmetric.metric.ResultDetail.empty();
for i=1:length(dsrBlocks)
    details2(i) = slmetric.metric.ResultDetail(getfullname(dsrBlocks{i}),...
        get_param(dsrBlocks{i}, 'Name'));
    groupID = get_param(dsrBlocks{i}, 'DataStoreName');
    groupName = get_param(dsrBlocks{i}, 'DataStoreName');
    details2(i).setGroup(groupID, groupName);
    details2(i).Value = 1;
end

res = slmetric.metric.Result();
res.ComponentID = component.ID;
res.MetricID = this.ID;
res.Value = length(dswBlocks)+ length(dsrBlocks);
res.Details = [details1 details2];
end
end
end

```

In the `DataStoreCount` metric class, the `SupportsResultDetail` method is set to true. The metric algorithm contains the logic for the `setGroup` method.

Now that your new model metric is defined in `DataStoreCount.m`, register the new metric.

```
[id_metric,err_msg] = slmetric.metric.registerMetric(className);
```

To collect metric data on models, use instances of `slmetric.Engine`. Using the `getMetrics` method, specify the metric that you want to collect. For this example, specify the data store count metric for the `sldemo_mdhref_dsm` model.

Open the `sldemo_mdhref_dsm` model.

```
openExample('sldemo_mdhref_dsm');
```

Create a metric engine object and set the analysis root.

```
metric_engine = slmetric.Engine();
setAnalysisRoot(metric_engine, 'Root', model, 'RootType', 'Model');
```

Collect metric data for the Data Store count metric.

```
execute(metric_engine);
rc=getMetrics(metric_engine, id_metric);
```

For each `slmetric.metric.Result` object, display the `ComponentPath`. For each `slmetric.metric.ResultDetails` object, display the Data Store group name and identifier.

```
for n=1:length(rc.Results)
    if rc.Results(n).Value > 0
        for m=1:length(rc.Results(n).Details)
            disp(['ComponentPath: ',rc.Results(n).ComponentPath]);
            disp(['Group Name: ',rc.Results(n).Details(m).getGroupName]);
            disp(['Group Identifier: ',rc.Results(n).Details(m).getGroupIdentifier]);
        end
    else
        disp(['No results for ComponentPath: ',rc.Results(n).ComponentPath]);
    end
end
disp(' ');
end
```

Here are the results.

```
ComponentPath: sldemo_mdhref_dsm
Group Name: ErrorCond
Group Identifier: ErrorCond
```

```
No results for ComponentPath: sldemo_mdhref_dsm/A
```

```
No results for ComponentPath: sldemo_mdhref_dsm/A1
```

```
No results for ComponentPath: sldemo_mdhref_dsm/More Info1
```

```
ComponentPath: sldemo_mdhref_dsm_bot
Group Name: RefSignalVal
Group Identifier: RefSignalVal
```

```
ComponentPath: sldemo_mdhref_dsm_bot2
Group Name: ErrorCond
Group Identifier: ErrorCond
```

```
ComponentPath: sldemo_mdhref_dsm_bot/PositiveSS
Group Name: RefSignalVal
Group Identifier: RefSignalVal
```

```
ComponentPath: sldemo_mdhref_dsm_bot/NegativeSS
Group Name: RefSignalVal
Group Identifier: RefSignalVal
```

For this example, unregister the data store count metric.

```
slmetric.metric.unregisterMetric(id_metric);
```

Close the model.

```
clear;
bdclose('all');
```

See Also

`slmetric.metric.Result` | `slmetric.metric.ResultCollection` |
`slmetric.metric.ResultDetail` | `slmetric.metric.getAvailableMetrics`

Introduced in R2017b

setGroup

Class: `slmetric.metric.ResultDetail`

Package: `slmetric.metric`

Set the name and identifier for a group of `slmetric.metric.ResultDetail` objects

Syntax

```
setGroup(groupIdentifier, groupName)
```

Description

For a custom-authored metric, set the identifier and name for a group of `slmetric.metric.ResultDetail` objects. Apply this method from within the part of the metric algorithm that specifies the details for `getMetrics` objects.

`setGroup(groupIdentifier, groupName)` sets the values of the group name and identifier for an `slmetric.metric.ResultDetail` object.

Input Arguments

groupIdentifier — Group identifier

character vector

Specify a value for the identifier for a group of `slmetric.metric.ResultDetail` objects.

groupName — Group name

character vector

Specify a value for the name of a group of `slmetric.metric.ResultDetail` objects.

Examples

Set Group Names and Group Identifiers for a Custom Model Metric

Use the `setGroup` method to group detailed results. When you create a custom model metric, you apply this method as part of the `algorithm` method.

Using the `createNewMetricClass` function, create a metric class named `DataStoreCount`. This metric counts the number of Data Store Read and Data Store Write blocks and groups them together by the corresponding Data Store Memory block. The `createNewMetricClass` function creates a file `DataStoreCount.m` in the current working folder. The file contains a constructor and empty metric algorithm method. For this example, make sure that you are working in a writable folder.

```
className = 'DataStoreCount';  
slmetric.metric.createNewMetricClass(className);
```

To write the metric algorithm, open the `DataStoreCount.m` file and add the metric to the file. For this example, you can create the metric algorithm by copying this logic into the `DataStoreCount.m` file.

```

classdef DataStoreCount < slmetric.metric.Metric
    % Count the number of Data Store Read and Data Store Write
    % blocks and correlate them across components.

    methods
        function this = DataStoreCount()
            this.ID = 'DataStoreCount';
            this.ComponentScope = [Advisor.component.Types.Model, ...
                Advisor.component.Types.SubSystem];
            this.AggregationMode = slmetric.AggregationMode.Sum;
            this.CompileContext = 'None';
            this.Version = 1;
            this.SupportsResultDetails = true;

            %Textual information on the metric algorithm
            this.Name = 'Data store usage';
            this.Description = 'Metric that counts the number of Data Store Read and Write';
                'blocks and groups them by the corresponding Data Store Memory block.';

        end

        function res = algorithm(this, component)
            % Use find_system to get all blocks inside this component.
            dswBlocks = find_system(getPath(component), ...
                'SearchDepth', 1, ...
                'BlockType', 'DataStoreWrite');
            dsrBlocks = find_system(getPath(component), ...
                'SearchDepth', 1, ...
                'BlockType', 'DataStoreRead');

            % Create a ResultDetail object for each data store read and write block.
            % Group ResultDetails by the data store name.
            details1 = slmetric.metric.ResultDetail.empty();
            for i=1:length(dswBlocks)
                details1(i) = slmetric.metric.ResultDetail(getfullname(dswBlocks{i}),...
                    get_param(dswBlocks{i}, 'Name'));
            groupID = get_param(dswBlocks{i}, 'DataStoreName');
            groupName = get_param(dswBlocks{i}, 'DataStoreName');
            details1(i).setGroup(groupID, groupName);
            details1(i).Value = 1;
            end

            details2 = slmetric.metric.ResultDetail.empty();
            for i=1:length(dsrBlocks)
                details2(i) = slmetric.metric.ResultDetail(getfullname(dsrBlocks{i}),...
                    get_param(dsrBlocks{i}, 'Name'));
            groupID = get_param(dsrBlocks{i}, 'DataStoreName');
            groupName = get_param(dsrBlocks{i}, 'DataStoreName');
            details2(i).setGroup(groupID, groupName);
            details2(i).Value = 1;
            end

            res = slmetric.metric.Result();
            res.ComponentID = component.ID;
            res.MetricID = this.ID;
            res.Value = length(dswBlocks)+ length(dsrBlocks);
            res.Details = [details1 details2];
        end
    end
end
end

```

In the `DataStoreCount` metric class, the `SupportsResultDetail` method is set to true. The metric algorithm contains the logic for the `setGroup` method.

Now that your new model metric is defined in `DataStoreCount.m`, register the new metric.

```
[id_metric,err_msg] = slmetric.metric.registerMetric(className);
```

To collect metric data on models, use instances of `slmetric.Engine`. Using the `getMetrics` method, specify the metric that you want to collect. For this example, specify the data store count metric for the `sldemo_mdref_dsm` model.

Open the `sldemo_mdref_dsm` model.

```
openExample('sldemo_mdref_dsm');
```

Create a metric engine object and set the analysis root..

```
metric_engine = slmetric.Engine();
setAnalysisRoot(metric_engine, 'Root', model, 'RootType', 'Model');
```

Collect metric data for the Data Store count metric.

```
execute(metric_engine);
rc=getMetrics(metric_engine, id_metric);
```

For each `slmetric.metric.Result` object, display the `ComponentPath`. For each `slmetric.metric.ResultDetails` object, display the Data Store group name and identifier.

```
for n=1:length(rc.Results)
    if rc.Results(n).Value > 0
        for m=1:length(rc.Results(n).Details)
            disp(['ComponentPath: ',rc.Results(n).ComponentPath]);
            disp(['Group Name: ',rc.Results(n).Details(m).getGroupName]);
            disp(['Group Identifier: ',rc.Results(n).Details(m).getGroupIdentifier]);
        end
    else
        disp(['No results for ComponentPath: ',rc.Results(n).ComponentPath]);
    end
end
disp(' ');
end
```

Here are the results.

```
ComponentPath: sldemo_mdhref_dsm
Group Name: ErrorCond
Group Identifier: ErrorCond
```

```
No results for ComponentPath: sldemo_mdhref_dsm/More Info1
```

```
ComponentPath: sldemo_mdhref_dsm_bot
Group Name: RefSignalVal
Group Identifier: RefSignalVal
```

```
ComponentPath: sldemo_mdhref_dsm_bot2
Group Name: ErrorCond
Group Identifier: ErrorCond
```

```
ComponentPath: sldemo_mdhref_dsm_bot/PositiveSS
Group Name: RefSignalVal
Group Identifier: RefSignalVal
```

```
ComponentPath: sldemo_mdhref_dsm_bot/NegativeSS
Group Name: RefSignalVal
Group Identifier: RefSignalVal
```

For this example, unregister the data store count metric.

```
slmetric.metric.unregisterMetric(id_metric);
```

Close the model.

```
clear;
bdclose('all');
```

See Also

`slmetric.metric.Result` | `slmetric.metric.ResultCollection` |
`slmetric.metric.ResultDetail` | `slmetric.metric.getAvailableMetrics`

Introduced in R2017b

getGroupIdentifier

Class: `slmetric.metric.ResultDetail`

Package: `slmetric.metric`

Obtain the identifier for a group of `slmetric.metric.ResultDetail` objects

Syntax

```
groupIdentifier = getGroupIdentifier(mrd)
```

Description

Obtain the identifier for a group of `slmetric.metric.ResultDetail` objects. Calling the `execute` method collects metric data. Calling `getMetrics` accesses the `slmetric.metric.Result` objects, which include the `slmetric.metric.ResultDetail` objects. Apply the `getGroupIdentifier` method to the `slmetric.metric.ResultDetail` object.

`groupIdentifier = getGroupIdentifier(mrd)` obtains the group identifier for the `slmetric.metric.ResultDetail` object `mrd`.

Input Arguments

mrd — `slmetric.metric.ResultDetail` object

character vector

Calling the `slmetric.Engine.execute` method creates the `slmetric.metric.Result` objects, which include the `slmetric.metric.ResultDetail` objects.

Output Arguments

groupIdentifier — Group identifier

character vector

Identifier for a group of `slmetric.metric.ResultDetail` objects.

Examples

Obtain Clone Group Names and Identifiers

Use the `getGroupName` and `getGroupIdentifier` methods to obtain the name and identifier for a group of clones.

Open the example model `ex_clone_detection.slx` and save the model to your current working folder.

```
openExample('slcheck/EnableSubsystemReuseWithCloneExample','supportingfile','ex_clone_detection');
```

Call the `execute` method. Apply the `getMetrics` method for the `mathworks.metric.CloneDetection` metric.

```
metric_engine = slmetric.Engine();
setAnalysisRoot(metric_engine, 'Root', 'ex_clone_detection', 'RootType', 'Model');
execute(metric_engine);
rc = getMetrics(metric_engine, 'mathworks.metrics.CloneDetection');
```

For each `slmetric.metric.Result` object, display the `ComponentPath`. For each `slmetric.metric.ResultDetail` object, display the clone group name and identifier.

```
for n=1:length(rc.Results)
    if rc.Results(n).Value > 0
        for m=1:length(rc.Results(n).Details)
            disp(['ComponentPath: ',rc.Results(n).ComponentPath]);
            disp(['Group Name: ',rc.Results(n).Details(m).getGroupName]);
            disp(['Group Identifier: ',rc.Results(n).Details(m).getGroupIdentifier]);
        end
    else
        disp(['No results for ComponentPath: ',rc.Results(n).ComponentPath]);
    end
end
disp(' ');
end
```

The results show that the model contains one clone group, `CloneGroup1`, which contains two clones.

Set Group Names and Group Identifiers for a Custom Model Metric

Use the `setGroup` method to group detailed results. When you create a custom model metric, you apply this method as part of the `algorithm` method.

Using the `createNewMetricClass` function, create a new metric class named `DataStoreCount`. This metric counts the number of Data Store Read and Data Store Write blocks and groups them together by the corresponding Data Store Memory block. The `createNewMetricClass` function creates a file, `DataStoreCount.m` in the current working folder. The file contains a constructor and empty metric algorithm method. For this example, make sure that you are working in a writable folder.

```
className = 'DataStoreCount';
slmetric.metric.createNewMetricClass(className);
```

To write the metric algorithm, open the `DataStoreCount.m` file and add the metric to the file. For this example, you can create the metric algorithm by copying this logic into the `DataStoreCount.m` file.

```
classdef DataStoreCount < slmetric.metric.Metric
    % Count the number of Data Store Read and Data Store Write
    % blocks and correlate them across components.

    methods
        function this = DataStoreCount()
            this.ID = 'DataStoreCount';
            this.ComponentScope = [Advisor.component.Types.Model, ...
                Advisor.component.Types.SubSystem];
            this.AggregationMode = slmetric.AggregationMode.Sum;
            this.CompileContext = 'None';
            this.Version = 1;
            this.SupportsResultDetails = true;

            %Textual information on the metric algorithm
            this.Name = 'Data store usage';
            this.Description = 'Metric that counts the number of Data Store Read and Write';
                'blocks and groups them by the corresponding Data Store Memory block.';

        end

        function res = algorithm(this, component)
            % Use find_system to get all blocks inside this component.
            dswBlocks = find_system(getPath(component), ...
                'SearchDepth', 1, ...
                'BlockType', 'DataStoreWrite');
            dsrBlocks = find_system(getPath(component), ...
                'SearchDepth', 1, ...
                'BlockType', 'DataStoreRead');
```

```

% Create a ResultDetail object for each data store read and write block.
% Group ResultDetails by the data store name.
details1 = slmetric.metric.ResultDetail.empty();
for i=1:length(dswBlocks)
    details1(i) = slmetric.metric.ResultDetail(getfullname(dswBlocks{i}),...
        get_param(dswBlocks{i}, 'Name'));
groupID = get_param(dswBlocks{i}, 'DataStoreName');
groupName = get_param(dswBlocks{i}, 'DataStoreName');
details1(i).setGroup(groupID, groupName);
details1(i).Value = 1;
end

details2 = slmetric.metric.ResultDetail.empty();
for i=1:length(dsrBlocks)
    details2(i) = slmetric.metric.ResultDetail(getfullname(dsrBlocks{i}),...
        get_param(dsrBlocks{i}, 'Name'));
groupID = get_param(dsrBlocks{i}, 'DataStoreName');
groupName = get_param(dsrBlocks{i}, 'DataStoreName');
details2(i).setGroup(groupID, groupName);
details2(i).Value = 1;
end

res = slmetric.metric.Result();
res.ComponentID = component.ID;
res.MetricID = this.ID;
res.Value = length(dswBlocks)+ length(dsrBlocks);
res.Details = [details1 details2];
end
end
end

```

In the `DataStoreCount` metric class, the `SupportsResultDetail` method is set to true. The metric algorithm contains the logic for the `setGroup` method.

Now that your new model metric is defined in `DataStoreCount.m`, register the new metric in the metric repository.

```
[id_metric,err_msg] = slmetric.metric.registerMetric(className);
```

To collect metric data on models, use instances of `slmetric.Engine`. Using the `getMetrics` method, specify the metric that you want to collect. For this example, specify the data store count metric for the `sldemo_mdhref_dsm` model.

Load the `sldemo_mdhref_dsm` model.

```
model = 'sldemo_mdhref_dsm';
load_system(model);
```

Create a metric engine object and set the analysis root..

```
metric_engine = slmetric.Engine();
setAnalysisRoot(metric_engine, 'Root', model, 'RootType', 'Model');
```

Collect metric data for the Data Store count metric.

```
execute(metric_engine);
rc=getMetrics(metric_engine, id_metric);
```

For each `slmetric.metric.Result` object, display the `ComponentPath`. For each `slmetric.metric.ResultDetails` object, display the Data Store group name and identifier.

```
for n=1:length(rc.Results)
    if rc.Results(n).Value > 0
        for m=1:length(rc.Results(n).Details)
            disp(['ComponentPath: ',rc.Results(n).ComponentPath]);
            disp(['Group Name: ',rc.Results(n).Details(m).getGroupName]);
            disp(['Group Identifier: ',rc.Results(n).Details(m).getGroupIdentifier]);
        end
    else
        disp(['No results for ComponentPath: ',rc.Results(n).ComponentPath]);
    end
end

```

```
    disp(' ');  
end
```

Here are the results.

```
ComponentPath: sldemo_mdref_dsm  
Group Name: ErrorCond  
Group Identifier: ErrorCond
```

No results for ComponentPath: sldemo_mdref_dsm/More Info1

```
ComponentPath: sldemo_mdref_dsm_bot  
Group Name: RefSignalVal  
Group Identifier: RefSignalVal
```

```
ComponentPath: sldemo_mdref_dsm_bot2  
Group Name: ErrorCond  
Group Identifier: ErrorCond
```

```
ComponentPath: sldemo_mdref_dsm_bot/PositiveSS  
Group Name: RefSignalVal  
Group Identifier: RefSignalVal
```

```
ComponentPath: sldemo_mdref_dsm_bot/NegativeSS  
Group Name: RefSignalVal  
Group Identifier: RefSignalVal
```

For this example, unregister the data store count metric.

```
slmetric.metric.unregisterMetric(id_metric);
```

Close the model.

```
clear;  
bdclose('all');
```

See Also

[slmetric.metric.Result](#) | [slmetric.metric.ResultCollection](#) |
[slmetric.metric.ResultDetail](#) | [slmetric.metric.getAvailableMetrics](#)

Introduced in R2017b

getGroupName

Class: `slmetric.metric.ResultDetail`

Package: `slmetric.metric`

Obtain the name for a group of `slmetric.metric.ResultDetail` objects

Syntax

```
groupName = getGroupName(mrd)
```

Description

Obtain the name of a group of `slmetric.metric.ResultDetail` objects. Calling the `execute` method collects metric data. Calling `getMetrics` accesses the `slmetric.metric.Result` objects which include the `slmetric.metric.ResultDetail` objects. Apply the `getGroupName` method to the `slmetric.metric.ResultDetail` object.

`groupName = getGroupName(mrd)` obtains the name for the `slmetric.metric.ResultDetail` object `mrd`.

Input Arguments

mrd — `slmetric.metric.ResultDetail` object

character vector

Calling the `slmetric.Engine.execute` method creates the `slmetric.metric.Result` objects, which include the `slmetric.metric.ResultDetail` objects.

Output Arguments

groupName — Group name

character vector

Name for a group of `slmetric.metric.ResultDetail` objects

Examples

Obtain Clone Group Names and Identifiers

Use the `getGroupName` and `getGroupIdentifier` methods to obtain the name and identifier for a group of clones.

Open the example model `ex_clone_detection.slx` and save the model to your current working folder.

```
openExample('slcheck/EnableSubsystemReuseWithCloneExample','supportingfile','ex_clone_detection');
```

Call the `execute` method. Apply the `getMetrics` method for the `mathworks.metric.CloneDetection` metrics.

```
metric_engine = slmetric.Engine();
setAnalysisRoot(metric_engine, 'Root', 'ex_clone_detection', 'RootType', 'Model');
execute(metric_engine);
rc = getMetrics(metric_engine, 'mathworks.metrics.CloneDetection');
```

For each `slmetric.metric.Result` object, display the `ComponentPath`. For each `slmetric.metric.ResultDetail` object, display the clone group name and identifier.

```
for n=1:length(rc.Results)
    if rc.Results(n).Value > 0
        for m=1:length(rc.Results(n).Details)
            disp(['ComponentPath: ', rc.Results(n).ComponentPath]);
            disp(['Group Name: ', rc.Results(n).Details(m).getGroupName]);
            disp(['Group Identifier: ', rc.Results(n).Details(m).getGroupIdentifier]);
        end
    else
        disp(['No results for ComponentPath: ', rc.Results(n).ComponentPath]);
    end
end
disp(' ');
end
```

The results show that the model contains one clone group, `CloneGroup1`, which contains two clones.

Set Group Names and Group Identifiers for a Custom Model Metric

Use the `setGroup` method to group detailed results. When you create a custom model metric, you apply this method as part of the `algorithm` method.

Using the `createNewMetricClass` function, create a metric class named `DataStoreCount`. This metric counts the number of Data Store Read and Data Store Write blocks and groups them together by the corresponding Data Store Memory block. The `createNewMetricClass` function creates a file, `DataStoreCount.m`, in the current working folder. The file contains a constructor and empty metric algorithm method. For this example, make sure that you are working in a writable folder.

```
className = 'DataStoreCount';
slmetric.metric.createNewMetricClass(className);
```

To write the metric algorithm, open the `DataStoreCount.m` file and add the metric to the file. For this example, you can create the metric algorithm by copying this logic into the `DataStoreCount.m` file.

```
classdef DataStoreCount < slmetric.metric.Metric
    % Count the number of Data Store Read and Data Store Write
    % blocks and correlate them across components.

    methods
        function this = DataStoreCount()
            this.ID = 'DataStoreCount';
            this.ComponentScope = [Advisor.component.Types.Model, ...
                Advisor.component.Types.SubSystem];
            this.AggregationMode = slmetric.AggregationMode.Sum;
            this.CompileContext = 'None';
            this.Version = 1;
            this.SupportsResultDetails = true;

            %Textual information on the metric algorithm
            this.Name = 'Data store usage';
            this.Description = 'Metric that counts the number of Data Store Read and Write';
                'blocks and groups them by the corresponding Data Store Memory block.';
        end

        function res = algorithm(this, component)
            % Use find_system to get all blocks inside this component.
            dswBlocks = find_system(getPath(component), ...
                'SearchDepth', 1, ...
                'BlockType', 'DataStoreWrite');
            dsrBlocks = find_system(getPath(component), ...
                'SearchDepth', 1, ...
                'BlockType', 'DataStoreRead');

            % Create a ResultDetail object for each data store read and write block.
```

```

% Group ResultDetails by the data store name.
details1 = slmetric.metric.ResultDetail.empty();
for i=1:length(dswBlocks)
    details1(i) = slmetric.metric.ResultDetail(getfullname(dswBlocks{i}),...
        get_param(dswBlocks{i}, 'Name'));
groupID = get_param(dswBlocks{i}, 'DataStoreName');
groupName = get_param(dswBlocks{i}, 'DataStoreName');
details1(i).setGroup(groupID, groupName);
details1(i).Value = 1;
end

details2 = slmetric.metric.ResultDetail.empty();
for i=1:length(dsrBlocks)
    details2(i) = slmetric.metric.ResultDetail(getfullname(dsrBlocks{i}),...
        get_param(dsrBlocks{i}, 'Name'));
groupID = get_param(dsrBlocks{i}, 'DataStoreName');
groupName = get_param(dsrBlocks{i}, 'DataStoreName');
details2(i).setGroup(groupID, groupName);
details2(i).Value = 1;
end

res = slmetric.metric.Result();
res.ComponentID = component.ID;
res.MetricID = this.ID;
res.Value = length(dswBlocks)+ length(dsrBlocks);
res.Details = [details1 details2];
end
end
end

```

In the `DataStoreCount` metric class, the `SupportsResultDetail` method is set to true. The metric algorithm contains the logic for the `setGroup` method.

Now that your new model metric is defined in `DataStoreCount.m`, register the new metric.

```
[id_metric,err_msg] = slmetric.metric.registerMetric(className);
```

To collect metric data on models, use instances of `slmetric.Engine`. Using the `getMetrics` method, specify the metric that you want to collect. For this example, specify the data store count metric for the `sldemo_mdref_dsm` model.

Load the `sldemo_mdref_dsm` model.

```
model = 'sldemo_mdref_dsm';
load_system(model);
```

Create a metric engine object and set the analysis root.

```
metric_engine = slmetric.Engine();
setAnalysisRoot(metric_engine, 'Root', model, 'RootType', 'Model');
```

Collect metric data for the Data Store count metric.

```
execute(metric_engine);
rc=getMetrics(metric_engine, id_metric);
```

For each `slmetric.metric.Result` object, display the `ComponentPath`. For each `slmetric.metric.ResultDetails` object, display the Data Store group name and identifier.

```

for n=1:length(rc.Results)
    if rc.Results(n).Value > 0
        for m=1:length(rc.Results(n).Details)
            disp(['ComponentPath: ',rc.Results(n).ComponentPath]);
            disp(['Group Name: ',rc.Results(n).Details(m).getGroupName]);
            disp(['Group Identifier: ',rc.Results(n).Details(m).getGroupIdentifier]);
        end
    else
        disp(['No results for ComponentPath: ',rc.Results(n).ComponentPath]);
    end
end
disp(' ');
end

```

Here are the results.

```
ComponentPath: sldemo_mdref_dsm  
Group Name: ErrorCond  
Group Identifier: ErrorCond
```

No results for ComponentPath: sldemo_mdref_dsm/More Info1

```
ComponentPath: sldemo_mdref_dsm_bot  
Group Name: RefSignalVal  
Group Identifier: RefSignalVal
```

```
ComponentPath: sldemo_mdref_dsm_bot2  
Group Name: ErrorCond  
Group Identifier: ErrorCond
```

```
ComponentPath: sldemo_mdref_dsm_bot/PositiveSS  
Group Name: RefSignalVal  
Group Identifier: RefSignalVal
```

```
ComponentPath: sldemo_mdref_dsm_bot/NegativeSS  
Group Name: RefSignalVal  
Group Identifier: RefSignalVal
```

For this example, unregister the data store count metric.

```
slmetric.metric.unregisterMetric(id_metric);
```

Close the model.

```
clear;  
bdclose('all');
```

See Also

[slmetric.metric.Result](#) | [slmetric.metric.ResultCollection](#) |
[slmetric.metric.ResultDetail](#) | [slmetric.metric.getAvailableMetrics](#)

Introduced in R2017b

slmetric.config.Classification class

Package: `slmetric.config`

Specify categorical metric data ranges

Description

Use the `slmetric.config.Classification` class to classify metric data ranges as `Compliant`, `Warning`, and `NonCompliant`. The Metrics Dashboard indicates the range that your metric data falls under.

Construction

For an `slmetric.config.Threshold` object, there must be one `slmetric.config.Classification` object corresponding to the `Compliant` range. There can be only one compliant range. You can specify multiple `slmetric.config.Classification` objects corresponding to `Warning` and `Noncompliant` ranges.

By default, threshold objects contain an `slmetric.config.Classification` object with a `Compliant` range of `-inf` to `inf`. To add additional classification objects, use the `slmetric.config.Classification.addClassification` method.

Properties

Category — Categorize metric data

'Compliant' (default) | 'Warning' | 'NonCompliant'

You can classify metric data values into these three categories:

- `Compliant` — Metric data that is in an acceptable range.
- `Warning` — Metric data that requires review.
- `Noncompliant` — Metric data that requires you to modify your model.

This property is read/write.

Data Types: `char`

Range — Metric range object

`slmetric.config.MetricRange` object

For each `slmetric.metric.config.Classification` object, specify the properties of the `slmetric.config.MetricRange` object. This property is read/write.

Examples

Specify Metric Thresholds to Add to Metric Dashboard

Use the `slmetric.config` packaged classes to add threshold information to the Metrics Dashboard. You can add thresholds that define metric data ranges for these three categories:

- **Compliant** — Metric data that is an acceptable range.
- **Warning** — Metric data that requires review.
- **Noncompliant** — Metric data that requires you to modify your model.

Create an `slmetric.config.Configuration` object.

```
CONF = slmetric.config.Configuration.new('name', 'Config');
```

Get the default `slmetric.config.ThresholdConfiguration` object in `CONF`.

```
TC = getThresholdConfigurations(CONF);
```

Add an `slmetric.config.Threshold` object to the `slmetric.config.ThresholdConfiguration` object. This threshold is for the `mathworks.metrics.SimulinkBlockCount` metric and the `Value` property of the `slmetric.metric.Results` object.

```
T = addThreshold(TC, 'mathworks.metrics.SimulinkBlockCount', 'Value');
```

An `slmetric.config.Threshold` object contains a default `slmetric.config.Classification` object that corresponds to the **Compliant** category. Use the `slmetric.metric.MetricRange` class to specify metric values for the **Compliant** metric range.

```
C = getClassifications(T); % default classification is Compliant
C.Range.Start = 5;
C.Range.IncludeStart = 0;
C.Range.End = 100;
C.Range.IncludeEnd = 0;
```

These values specify that a compliant range is a block count from 5 to 100. This range does not include the values 5 and 100.

Specify values for the **Warning** metric range.

```
C = addClassification(T, 'Warning');
C.Range.Start = -inf;
C.Range.IncludeStart = 0;
C.Range.End = 5;
C.Range.IncludeEnd = 1
```

These values specify that a warning is a block count between `-inf` and 5. This range does not include `-inf`. It does include 5.

Specify values for the **NonCompliant** metric range.

```
C = addClassification(T, 'NonCompliant');
C.Range.Start = 100;
C.Range.IncludeStart = 1;
C.Range.End = inf;
C.Range.IncludeEnd = 0;
```

These values specify that a block count greater than 100 is noncompliant. This range includes 100. It does not include `inf`.

Use the `validate` method to validate the metric ranges corresponding to the thresholds in the `slmetric.config.ThresholdConfiguration` object.

```
validate(T)
```

If the ranges are not valid, you get an error message. In this example, the ranges are valid.

Save the changes to the configuration file. Use the `slmetric.config.setActiveConfiguration` function to activate this configuration for the metric engine to use.

```
configName = 'Config.xml';  
save(CONF,'FileName', configName);  
slmetric.config.setActiveConfiguration(fullfile(pwd, configName));
```

You can now run the Metrics Dashboard with this custom configuration on a model.

See Also

`slmetric.config.Configuration` | `slmetric.config.ThresholdConfiguration` |
`slmetric.config.Threshold` | `slmetric.config.MetricRange` |
`slmetric.metric.ResultClassification` | `slmetric.config.getActiveConfiguration` |
`slmetric.config.setActiveConfiguration`

Topics

“Collect and Explore Metric Data by Using the Metrics Dashboard”
“Customize Metrics Dashboard Layout and Functionality”

Introduced in R2018b

slmetric.config.Configuration class

Package: slmetric.config

Specify metric data categories and custom metric families

Description

Instances of `slmetric.config.Configuration` contain customizations pertaining to thresholds and custom metric families. The metric engine uses these customizations when collecting data and displays them on the Metrics Dashboard.

Construction

Use the `slmetric.config.Configuration` class to add metric threshold values and custom metric families to the Metrics Dashboard. To create an `slmetric.config.Configuration` object, use the `new` method. Each `slmetric.config.Configuration` object contains one `slmetric.config.ThresholdConfiguration` object.

Properties

Name — Configuration object name

character vector | string scalar

Name of configuration object that you use to create Metrics Dashboard customizations. This property is read/write.

Data Types: char

FileName — Name of XML file that contains custom configurations

character vector | string scalar

Name of the XML file that contains Metrics Dashboard customizations. This property is read/write.

Data Types: char

Location — Location of XML file that contains custom configuration

character vector | string scalar

Location of the XML file that contains Metrics Dashboard customizations. This property is optional and is read/write.

Methods

<code>getThresholdConfigurations</code>	Specify metric threshold configurations
<code>new</code>	Create configuration object for customizing the Metrics Dashboard
<code>openDefaultConfiguration</code>	Return shipping Metrics Dashboard configuration object in base workspace
<code>open</code>	Create configuration object associated with XML configuration file in the base workspace
<code>save</code>	Save contents of <code>slmetric.config.Configuration</code> object to XML file
<code>getMetricFamilyParameterValues</code>	Obtain metric family Check Group IDs
<code>isMetricFamilyParameterParameterized</code>	Determine whether Metrics Dashboard configuration object has metric family parameter values
<code>resetMetricFamilyParameterValues</code>	Clear metric family parameter values
<code>setMetricFamilyParameterValues</code>	Obtain compliance and issues metric data on your Model Advisor configuration

Examples

Specify Metric Thresholds to Add to Metrics Dashboard

Use the `slmetric.config` packaged classes to add threshold information to the Metrics Dashboard. You can add thresholds that define metric data ranges for these categories:

- Compliant — Metric data that is an acceptable range.
- Warning — Metric data that requires review.
- Noncompliant — Metric data that requires you to modify your model.

Create an `slmetric.config.Configuration` object.

```
CONF = slmetric.config.Configuration.new('name', 'Config');
```

Get the default `slmetric.config.ThresholdConfiguration` object in `CONF`.

```
TC = getThresholdConfigurations(CONF);
```

Add an `slmetric.config.Threshold` object to the `slmetric.config.ThresholdConfiguration` object. This threshold is for the `mathworks.metrics.SimulinkBlockCount` metric and the `Value` property of the `slmetric.metric.Results` object.

```
T = addThreshold(TC, 'mathworks.metrics.SimulinkBlockCount', 'Value');
```

An `slmetric.config.Threshold` object contains a default `slmetric.config.Classification` object that corresponds to the `Compliant` category. Use the `slmetric.metric.MetricRange` class to specify metric values for the `Compliant` metric range.

```
C = getClassifications(T); % default classification is Compliant
C.Range.Start = 5;
C.Range.IncludeStart = 0;
C.Range.End = 100;
C.Range.IncludeEnd = 0;
```

These values specify that a compliant range is a block count from 5 to 100. This range does not include the values 5 and 100.

Specify values for the Warning metric range.

```
C = addClassification(T, 'Warning');
C.Range.Start = -inf;
C.Range.IncludeStart = 0;
C.Range.End = 5;
C.Range.IncludeEnd = 1
```

These values specify that a warning is a block count between `-inf` and 5. This range does not include `-inf`. It does include 5.

Specify values for the NonCompliant metric range.

```
C = addClassification(T, 'NonCompliant');
C.Range.Start = 100;
C.Range.IncludeStart = 1;
C.Range.End = inf;
C.Range.IncludeEnd = 0;
```

These values specify that a block count greater than 100 is noncompliant. This range includes 100. It does not include `inf`.

Use the `validate` method to validate the metric ranges corresponding to the thresholds in the `slmetric.config.ThresholdConfiguration` object.

```
validate(T)
```

If the ranges are not valid, you get an error message. In this example, the ranges are valid.

Save the changes to the configuration file. Use the `slmetric.config.setActiveConfiguration` function to activate this configuration for the metric engine to use.

```
configName = 'Config.xml';
save(CONF, 'FileName', configName);
slmetric.config.setActiveConfiguration(fullfile(pwd, configName));
```

You can now run the Metrics Dashboard with this custom configuration on a model.

See Also

[slmetric.config.ThresholdConfiguration](#) | [slmetric.config.Threshold](#) |
[slmetric.config.MetricRange](#) | [slmetric.config.Classification](#) |
[slmetric.metric.ResultClassification](#) | [slmetric.config.getActiveConfiguration](#) |
[slmetric.config.setActiveConfiguration](#)

Topics

“Collect and Explore Metric Data by Using the Metrics Dashboard”
“Customize Metrics Dashboard Layout and Functionality”

Introduced in R2018b

slmetric.config.MetricRange class

Package: `slmetric.config`

Specify metric data threshold values

Description

Specify metric data thresholds corresponding to the `Category` property of an `slmetric.config.Classification` object. These thresholds define metric data ranges for these three categories: `complaint`, `noncompliant`, and `warning`. The Metrics Dashboard alerts you to the category that your data falls under.

Construction

Use the `slmetric.config.Threshold.getClassifications` method to access the default Compliant `slmetric.config.Classification` object. Or, use the `slmetric.config.Threshold.addClassification` method to create `NonCompliant` and `Warning` `slmetric.config.Classification` objects. Then write directly to the `slmetric.config.MetricRange` properties.

Properties

Start — Beginning of a metric data range

`-inf` (default)

Specify the beginning of a metric range corresponding to the `Category` property of an `slmetric.config.Classification` object. This property is read/write.

Data Types: `double`

End — End of a metric data range

`inf` (default)

Specify the end of a metric range corresponding to the `Category` property of an `slmetric.config.Classification` object. This property is read/write.

Data Types: `double`

IncludeStart — Include the value of the Start property

`0` (default)

Specify whether to include the `Start` value in the metric data range corresponding to the `Category` property of an `slmetric.config.Classification` object. This property is read/write.

Data Types: `logical`

IncludeEnd — Include the value of the End property

`0` (default)

Specify whether to include the `End` value in the metric data range corresponding to the `Category` property of an `slmetric.config.Classification` object. This property is read/write.

Data Types: logical

Note For the **High Integrity Compliance**, **MAB Compliance**, **Actual Reuse**, and **Potential Reuse** widgets, you must specify the metric ranges as fractions.

Examples

Specify Metric Thresholds to Add to Metrics Dashboard

Use the `slmetric.config` packaged classes to add threshold information to the Metrics Dashboard. You can add thresholds that define metric data ranges for these three categories:

- Compliant — Metric data that is an acceptable range.
- Warning — Metric data that requires review.
- Noncompliant — Metric data that requires you to modify your model.

Create an `slmetric.config.Configuration` object.

```
CONF = slmetric.config.Configuration.new('name', 'Config');
```

Get the default `slmetric.config.ThresholdConfiguration` object in `CONF`.

```
TC = getThresholdConfigurations(CONF);
```

Add an `slmetric.config.Threshold` object to the `slmetric.config.ThresholdConfiguration` object. This threshold is for the `mathworks.metrics.SimulinkBlockCount` metric and the `Value` property of the `slmetric.metric.Results` object.

```
T = addThreshold(TC, 'mathworks.metrics.SimulinkBlockCount', 'Value');
```

An `slmetric.config.Threshold` object contains a default `slmetric.config.Classification` object that corresponds to the Compliant category. Use the `slmetric.metric.MetricRange` class to specify metric values for the Compliant metric range.

```
C = getClassifications(T); % default classification is Compliant
C.Range.Start = 5;
C.Range.IncludeStart = 0;
C.Range.End = 100;
C.Range.IncludeEnd = 0;
```

These values specify that a compliant range is a block count from 5 to 100. This range does not include the values 5 and 100.

Specify values for the Warning metric range.

```
C = addClassification(T, 'Warning');
C.Range.Start = -inf;
C.Range.IncludeStart = 0;
C.Range.End = 5;
C.Range.IncludeEnd = 1
```

These values specify that a warning is a block count between `-inf` and 5. This range does not include `-inf`. It does include 5.

Specify values for the NonCompliant metric range.

```
C = addClassification(T, 'NonCompliant');  
C.Range.Start = 100;  
C.Range.IncludeStart = 1;  
C.Range.End = inf;  
C.Range.IncludeEnd = 0;
```

These values specify that a block count greater than 100 is noncompliant. This range includes 100. It does not include `inf`.

Use the `validate` method to validate the metric ranges corresponding to the thresholds in the `slmetric.config.ThresholdConfiguration` object.

```
validate(T)
```

If the ranges are not valid, you get an error message. In this example, the ranges are valid.

Save the changes to the configuration file. Use the `slmetric.config.setActiveConfiguration` function to activate this configuration for the metric engine to use.

```
configName = 'Config.xml';  
save(CONF, 'FileName', configName);  
slmetric.config.setActiveConfiguration(fullfile(pwd, configName));
```

You can now run the Metrics Dashboard with this custom configuration on a model.

See Also

`slmetric.config.Configuration` | `slmetric.config.ThresholdConfiguration` |
`slmetric.config.Threshold` | `slmetric.config.Classification` |
`slmetric.metric.ResultClassification` | `slmetric.config.getActiveConfiguration` |
`slmetric.config.setActiveConfiguration`

Topics

“Collect and Explore Metric Data by Using the Metrics Dashboard”

“Customize Metrics Dashboard Layout and Functionality”

Introduced in R2018b

slmetric.config.Threshold

Object for holding metric result thresholds

Description

Specify threshold values for model metric results

Creation

Create an `slmetric.config.Threshold` object by using `addThreshold`.

Properties

MetricID — Metric identifier

character vector | string scalar

This property is read-only.

Metric identifier for the model metric or custom model metric, returned as a character vector.

Example: `'mathworks.metrics.SimulinkBlockCount'`

Data Types: `char`

AppliesTo — Result object property

character vector | string scalar

This property is read-only.

`slmetric.metric.Result` property to which you apply thresholds, returned as a character vector. You can apply thresholds to the `Value` and `AggregatedValue` properties.

Data Types: `char`

Object Functions

<code>addClassification</code>	Add metric data classification to <code>slmetric.config.Threshold</code> object
<code>getClassifications</code>	Obtain metric data classifications
<code>removeClassification</code>	Remove metric threshold classification
<code>validate</code>	Validate metric range thresholds

Examples

Specify Metric Thresholds to Add to Metrics Dashboard

Add threshold information to the Metrics Dashboard by using `slmetric.config.Threshold` and `slmetric.config.Configuration` objects. You can add thresholds that define metric data ranges for these three categories:

- Compliant — Metric data that is an acceptable range
- Warning — Metric data that requires review
- Noncompliant — Metric data that requires you to modify your model

Create an `slmetric.config.Configuration` object.

```
CONF = slmetric.config.Configuration.new('name', 'Config');
```

Get the default `slmetric.config.ThresholdConfiguration` object in `CONF`.

```
TC = getThresholdConfigurations(CONF);
```

Create an `slmetric.config.Threshold` object and add it to the `slmetric.config.ThresholdConfiguration` object. This threshold is for the `mathworks.metrics.SimulinkBlockCount` metric and the `Value` property of the `slmetric.metric.Results` object.

```
T = addThreshold(TC, 'mathworks.metrics.SimulinkBlockCount', 'Value');
```

By default, the `slmetric.config.Threshold` object contains a `slmetric.config.Classification` object that defines metric ranges in the compliant category. Get the classification object by using the function `getClassifications` on the threshold object `T`.

```
C = getClassifications(T);
```

The `Range` property of the classification object is a `slmetric.metric.MetricRange` object. Specify metric values for the compliant category by using the `slmetric.metric.MetricRange` functions on the range of the classification object.

```
C.Range.Start = 5;  
C.Range.IncludeStart = 0;  
C.Range.End = 100;  
C.Range.IncludeEnd = 0;
```

These values specify that a compliant range is a block count from 5 to 100. This range does not include the values 5 and 100.

Specify values for the warning metric range.

```
C = addClassification(T, 'Warning');  
C.Range.Start = -inf;  
C.Range.IncludeStart = 0;  
C.Range.End = 5;  
C.Range.IncludeEnd = 1;
```

These values specify that a warning is a block count between `-inf` and 5. This range does not include `-inf`. It does include 5.

Specify values for the noncompliant metric range.

```
C = addClassification(T, 'NonCompliant');  
C.Range.Start = 100;  
C.Range.IncludeStart = 1;  
C.Range.End = inf;  
C.Range.IncludeEnd = 0;
```

These values specify that a block count greater than 100 is noncompliant. This range includes 100. It does not include `inf`.

Use the `validate` method to validate the metric ranges corresponding to the thresholds in the `slmetric.config.ThresholdConfiguration` object.

```
validate(T)
```

If the ranges are not valid, you get an error message. In this example, the ranges are valid, so the function returns nothing.

Save the changes to the configuration file. Use the `slmetric.config.setActiveConfiguration` function to activate this configuration for the metric engine to use.

```
configName = 'Config.xml';  
save(CONF, 'FileName', configName);  
slmetric.config.setActiveConfiguration(fullfile(pwd, configName));
```

You can now run the Metrics Dashboard with this custom configuration on a model.

See Also

`slmetric.config.Configuration` | `slmetric.config.ThresholdConfiguration` |
`slmetric.config.MetricRange` | `slmetric.config.Classification` |
`slmetric.metric.ResultClassification` | `slmetric.config.getActiveConfiguration` |
`slmetric.config.setActiveConfiguration`

Topics

“Collect and Explore Metric Data by Using the Metrics Dashboard”

“Customize Metrics Dashboard Layout and Functionality”

Introduced in R2018b

slmetric.config.ThresholdConfiguration class

Package: slmetric.config

Specify metric and slmetric.metric.Result property for thresholding

Description

Instances of slmetric.config.ThresholdConfiguration contain thresholds that you specify for a metric. Each threshold specification corresponds to an slmetric.config.Threshold object. An slmetric.config.ThresholdConfiguration object can hold multiple slmetric.config.Threshold objects.

Construction

For an slmetric.config.Configuration object, use the getThresholdConfigurations method to access an slmetric.config.ThresholdConfiguration object.

Methods

addThreshold	Create an slmetric.config.Threshold object
getThresholds	Obtain properties of threshold objects
removeThreshold	Remove threshold object from threshold configuration object

Examples

Specify Metric Thresholds to Add to Metrics Dashboard

Use the slmetric.config packaged classes to add threshold information to the Metrics Dashboard. You can add thresholds that define metric data ranges for these three categories:

- Compliant — Metric data that is an acceptable range.
- Warning — Metric data that requires review.
- Noncompliant — Metric data that requires you to modify your model.

Create an slmetric.config.Configuration object.

```
CONF = slmetric.config.Configuration.new('name', 'Config');
```

Get the default slmetric.config.ThresholdConfiguration object in CONF.

```
TC = getThresholdConfigurations(CONF);
```

Add an slmetric.config.Threshold object to the slmetric.config.ThresholdConfiguration object. This threshold is for the mathworks.metrics.SimulinkBlockCount metric and the Value property of the slmetric.metric.Results object.

```
T = addThreshold(TC, 'mathworks.metrics.SimulinkBlockCount', 'Value');
```

An `slmetric.config.Threshold` object contains a default `slmetric.config.Classification` object that corresponds to the `Compliant` category. Use the `slmetric.metric.MetricRange` class to specify metric values for the `Compliant` metric range.

```
C = getClassifications(T); % default classification is Compliant
C.Range.Start = 5;
C.Range.IncludeStart = 0;
C.Range.End = 100;
C.Range.IncludeEnd = 0;
```

These values specify that a compliant range is a block count from 5 to 100. This range does not include the values 5 and 100.

Specify values for the `Warning` metric range.

```
C = addClassification(T, 'Warning');
C.Range.Start = -inf;
C.Range.IncludeStart = 0;
C.Range.End = 5;
C.Range.IncludeEnd = 1
```

These values specify that a warning is a block count between `-inf` and 5. This range does not include `-inf`. It does include 5.

Specify values for the `NonCompliant` metric range.

```
C = addClassification(T, 'NonCompliant');
C.Range.Start = 100;
C.Range.IncludeStart = 1;
C.Range.End = inf;
C.Range.IncludeEnd = 0;
```

These values specify that a block count greater than 100 is noncompliant. This range includes 100. It does not include `inf`.

Use the `slmetric.config.validate` function to validate the metric ranges corresponding to the thresholds in the `slmetric.config.ThresholdConfiguration` object.

```
validate(T)
```

If the ranges are not valid, you get an error message. In this example, the ranges are valid.

Save the changes to the configuration file. Use the `slmetric.config.setActiveConfiguration` function to activate this configuration for the metric engine to use.

```
configName = 'Config.xml';
save(CONF, 'FileName', configName);
slmetric.config.setActiveConfiguration(fullfile(pwd, configName));
```

You can now run the Metrics Dashboard with this custom configuration on a model.

See Also

`slmetric.config.Configuration` | `slmetric.config.Threshold` |
`slmetric.config.MetricRange` | `slmetric.config.Classification` |
`slmetric.metric.ResultClassification` | `slmetric.config.getActiveConfiguration` |
`slmetric.config.setActiveConfiguration`

Topics

“Collect and Explore Metric Data by Using the Metrics Dashboard”

“Customize Metrics Dashboard Layout and Functionality”

Introduced in R2018b

slmetric.metric.ResultClassification class

Package: slmetric.metric

Access metric data thresholds results

Description

For the Value and AggregatedValue properties of an slmetric.metric.Result object, access properties of the slmetric.metric.ResultClassification class to determine the metric data ranges that correspond to the Compliant, NonCompliant, and Warning categories. From an slmetric.metric.ResultClassification object, also determine which of the three categories your metric data falls under.

Construction

The value of the Classifications property of an slmetric.metric.Result object is the slmetric.metric.ResultClassification object.

Properties

Threshold — Model metric and slmetric.metric.Result property with thresholds

slmetric.config.Threshold object

Access this property to determine the model metric and the slmetric.metric.Result property that has thresholds.

Classification — Status of component data

'Compliant' | 'NonCompliant' | 'Warning' | 'Uncategorized'

Metric data values fall into one of these four categories:

- Compliant — Metric data that is in an acceptable range.
- Warning — Metric data that requires review.
- NonCompliant — Metric data that requires you to modify your model.
- Uncategorized — Metric data that has no threshold values set.

If at least one component is NonCompliant, this property returns NonCompliant. If at least one component is Warning and no components are NonCompliant, this property returns Warning. If all components are Compliant, this category returns Compliant.

This property is read-only.

Examples

Collect and Classify Metric Data

For the `mathworks.metric.SimulinkBlockCount` metric, define `slmetric.metric.Result` values corresponding to `Compliant`, `NonCompliant`, and `Warning` categories. For the `sldemo_mdref` model, run the metrics engine and categorize results for this metric.

Open the model.

```
openExample('sldemo_mdref_basic');
```

Create an `slmetric.config.Configuration` object.

```
CONF = slmetric.config.Configuration.new('name', 'Config');
```

Get the default `slmetric.config.ThresholdConfiguration` object in `CONF`.

```
TC = getThresholdConfigurations(CONF);
```

Add an `slmetric.config.Threshold` object to the `slmetric.config.ThresholdConfiguration` object. This threshold is for the `mathworks.metrics.SimulinkBlockCount` metric and the `Value` property of the `slmetric.metric.Results` object.

```
T = addThreshold(TC, 'mathworks.metrics.SimulinkBlockCount', 'Value');
```

An `slmetric.config.Threshold` object contains a default `slmetric.config.Classification` object that corresponds to the `Compliant` category. Use the `slmetric.metric.MetricRange` class to specify metric values for the `Compliant`, `NonCompliant`, and `Warning` metric ranges.

```
C = getClassifications(T); % default classification is Compliant
C.Range.Start = 5;
C.Range.IncludeStart = 0;
C.Range.End = 100;
C.Range.IncludeEnd = 0;
```

```
C = addClassification(T, 'Warning');
C.Range.Start = -inf;
C.Range.IncludeStart = 0;
C.Range.End = 5;
C.Range.IncludeEnd = 1
```

```
C = addClassification(T, 'NonCompliant');
C.Range.Start = 100;
C.Range.IncludeStart = 1;
C.Range.End = inf;
C.Range.IncludeEnd = 0;
```

Use the `validate` method to validate the metric ranges corresponding to the thresholds in the `slmetric.config.ThresholdConfiguration` object.

```
validate(T)
```

If the ranges are not valid, you get an error message. In this example, the ranges are valid.

Save the changes to the configuration file. Use the `slmetric.config.setActiveConfiguration` function to activate this configuration for the metric engine to use.

```
configName = 'Config.xml';
save(CONF, 'FileName', configName);
slmetric.config.setActiveConfiguration(fullfile(pwd, configName));
```

Create an `slmetric.Engine` object, set the root in the model for analysis, and collect data for the `mathworks.metrics.SimulinkBlockCount` metric.

```
metric_engine = slmetric.Engine();
setAnalysisRoot(metric_engine, 'Root', 'sldemo_mdref_basic');
execute(metric_engine, 'mathworks.metrics.SimulinkBlockCount');
```

Get the model metric data that returns an array of `slmetric.metric.ResultCollection` objects, `res_col`.

```
res_col = getMetrics(metric_engine, 'mathworks.metrics.SimulinkBlockCount');
```

Display the results for the `mathworks.metrics.SimulinkBlockCount` metric.

```
for n=1:length(res_col)
    if res_col(n).Status == 0
        result = res_col(n).Results;

        for m=1:length(result)
            disp(['MetricID: ', result(m).MetricID]);
            disp([' ComponentPath: ', result(m).ComponentPath]);
            disp([' Value: ', num2str(result(m).Value)]);
            disp([' Classifications: ', result(m).Classifications.Classification.Category]);
            disp([' Measures: ', num2str(result(m).Measures)]);
            disp([' AggregatedMeasures: ', num2str(result(m).AggregatedMeasures)]);
        end
    else
        disp(['No results for:', result(n).MetricID]);
    end
end
disp(' ');
end
```

```
MetricID: mathworks.metrics.SimulinkBlockCount
ComponentPath: sldemo_mdref_basic
Value: 12
Classifications: Compliant
Measures:
AggregatedMeasures:
MetricID: mathworks.metrics.SimulinkBlockCount
ComponentPath: sldemo_mdref_basic/More Info
Value: 0
Classifications: Warning
Measures:
AggregatedMeasures:
MetricID: mathworks.metrics.SimulinkBlockCount
ComponentPath: sldemo_mdref_counter
Value: 18
Classifications: Compliant
Measures:
AggregatedMeasures:
```

For ComponentPath: `sldemo_mdref_basic` and ComponentPath: `sldemo_mdref_counter`, the results are Compliant because of the values 12 and 18, respectively. For ComponentPath: `sldemo_mdref_basic/More Info`, the results fall under the Warning category because of the 0 value.

See Also

`slmetric.config.Configuration` | `slmetric.config.ThresholdConfiguration` | `slmetric.config.Threshold` | `slmetric.config.MetricRange` | `slmetric.config.Classification` | `slmetric.config.getActiveConfiguration` | `slmetric.config.setActiveConfiguration`

Introduced in R2018b

getThresholdConfigurations

Class: `slmetric.config.Configuration`

Package: `slmetric.config`

Specify metric threshold configurations

Syntax

```
TH = getThresholdConfigurations(CO)
```

Description

`TH = getThresholdConfigurations(CO)` returns the `slmetric.config.ThresholdConfiguration` object that an `slmetric.config.Configuration` object owns. Use this object to hold specific metric threshold configurations. Metric threshold configurations are compliant, warning, and noncompliant ranges for a specific metric.

Input Arguments

CO — Configuration object

`slmetric.config.Configuration` object

`slmetric.config.Configuration` object for which you create a metric threshold configuration. By default, an `slmetric.config.Configuration` object holds an empty `slmetric.config.ThresholdConfiguration` object.

Output Arguments

TH — Metric threshold configuration object

`slmetric.config.ThresholdConfiguration` object

`slmetric.config.ThresholdConfiguration` object for which you add thresholds corresponding to compliant, noncompliant, and warning ranges for a specific metric.

Examples

Add Thresholds to a Threshold Configuration Object

By default, an `slmetric.config.Configuration` object holds one `slmetric.config.ThresholdConfiguration` object. Use the `getThresholdConfigurations` method to add this object to the base workspace. You can then use the `slmetric.config.addThreshold` method to add `slmetric.config.Threshold` objects to this `slmetric.config.ThresholdConfiguration` object.

Create an `slmetric.config.Configuration` object.

```
CONF = slmetric.config.Configuration.new('name', 'Config');
```


Get the default `slmetric.config.ThresholdConfiguration` object in `CONF`.

```
TC = getThresholdConfigurations(CONF);
```

Add an `slmetric.config.Threshold` object to the `slmetric.config.ThresholdConfiguration` object `TC`. This threshold is for the `mathworks.metrics.SubSystemCount` metric and the `Value` property of the `slmetric.metric.Results` object.

```
E = addThreshold(TC, 'mathworks.metrics.SubSystemCount', 'Value');
```

Use the `slmetric.config.Classification` and `slmetric.config.MetricRange` class properties to specify threshold values corresponding to the `mathworks.metrics.SubsystemCount` metric.

See Also

`slmetric.config.Configuration` | `slmetric.config.getActiveConfiguration` | `slmetric.config.setActiveConfiguration`

Topics

“Collect and Explore Metric Data by Using the Metrics Dashboard”
“Customize Metrics Dashboard Layout and Functionality”

Introduced in R2018b

slmetric.config.Configuration.new

Class: slmetric.config.Configuration

Package: slmetric.config

Create configuration object for customizing the Metrics Dashboard

Syntax

```
Co = slmetric.config.Configuration.new('Name', 'Config')
```

Description

Create an `slmetric.config.Configuration` object for holding Metrics Dashboard customizations pertaining to metric thresholds and custom metric families. Use the `save` command to create and store the associated XML configuration file.

`Co = slmetric.config.Configuration.new('Name', 'Config')` creates a configuration object.

Input Arguments

Name — Name of configuration object that is tagged in XML file

character vector | string scalar

Name of configuration object in XML file that contains Metrics Dashboard customizations pertaining to metric thresholds and custom metric families.

Data Types: char

Output Arguments

co — Configuration object

character vector | string scalar

Name of `slmetric.config.Configuration` object that contains Metrics Dashboard customizations pertaining to metric thresholds and custom families.

Data Types: char

Examples

Create a Configuration Object

Use the `new` method to create an `slmetric.config.Configuration` object. The configuration object contains information on custom metric families and metric thresholds. As an input, specify a configuration object name. This name is then associated with a tag in the configuration object XML file. After adding information to the configuration object, use the `slmetric.config.Configuration.save` method to create and store the associated XML file.

```
CONF = slmetric.config.Configuration.new('Name', 'Config')
```

See Also

[slmetric.config.Configuration](#) | [slmetric.config.getActiveConfiguration](#) | [slmetric.config.setActiveConfiguration](#)

Topics

[“Collect and Explore Metric Data by Using the Metrics Dashboard”](#)

[“Customize Metrics Dashboard Layout and Functionality”](#)

Introduced in R2018b

openDefaultConfiguration

Class: `slmetric.config.Configuration`

Package: `slmetric.config`

Return shipping Metrics Dashboard configuration object in base workspace

Syntax

```
DT = slmetric.config.Configuration.openDefaultConfiguration
```

Description

`DT = slmetric.config.Configuration.openDefaultConfiguration` returns the `slmetric.config.Configuration` object corresponding to the shipping Metrics Dashboard configuration in the base workspace. Use this object to add or remove threshold values corresponding to Compliant, NonCompliant, or Warning categories. These `MetricIDs` contain default shipping thresholds:

- `mathworks.metrics.CloneContent`
- `mathworks.metrics.CyclomaticComplexity`
- `mathworks.metrics.DiagnosticWarningsCount`
- `mathworks.metrics.MatlabCodeAnalyzerWarnings`
- `mathworks.metrics.ModelAdvisorCheckCompliance.hisl_do178`
- `mathworks.metrics.ModelAdvisorCheckCompliance.maab`
- `mathworks.metrics.ModelAdvisorCheckIssues.hisl_do178`
- `mathworks.metrics.ModelAdvisorCheckIssues.maab`

You can also use this object to obtain compliance and issues metric data on your Model Advisor configuration.

Output Arguments

DT — Default Metric Dashboard threshold configuration object

`slmetric.config.Configuration` object

`slmetric.config.ThresholdConfiguration` object for adding and removing thresholds corresponding to Compliant, Noncompliant, and Warning Categories for a specific metric.

Examples

Open the Shipping `slmetric.config.Configuration` Object

Use the `openDefaultConfiguration` method to add the shipping `slmetric.config.Configuration` object to the base workspace. If you modify the information that this configuration object contains, use the `slmetric.config.Configuration.save` method to save this information to an XML file.

```
Config = slmetric.config.Configuration.openDefaultConfiguration
```

See Also

`slmetric.config.ThresholdConfiguration` | `slmetric.config.Threshold` |
`slmetric.config.MetricRange` | `slmetric.config.Classification` |
`slmetric.metric.ResultClassification` | `slmetric.config.getActiveConfiguration` |
`slmetric.config.setActiveConfiguration`

Topics

“Collect and Explore Metric Data by Using the Metrics Dashboard”

“Customize Metrics Dashboard Layout and Functionality”

Introduced in R2018b

slmetric.config.Configuration.open

Class: slmetric.config.Configuration

Package: slmetric.config

Create configuration object associated with XML configuration file in the base workspace

Syntax

```
Co = slmetric.config.Configuration.open('FileName','myConfig.xml',...  
'Location', pwd)
```

Description

Reads the contents of an XML file containing Metrics Dashboard customizations into memory and returns the corresponding configuration object. The XML file contains customizations pertaining to metric thresholds and custom metric families. If you modify the contents of the configuration object, invoke the save method to write to the associated XML file.

```
Co = slmetric.config.Configuration.open('FileName','myConfig.xml',...  
'Location', pwd) reads a configuration file.
```

Note If you do not supply an input argument, the `slmetric.config.Configuration.open` command reads the contents of the default Metrics Dashboard configuration XML file into memory and returns the corresponding `slmetric.dashboard.Configuration` object.

Input Arguments

FileName — Name of XML file

character vector | string scalar

Name of XML file containing Metrics Dashboard customizations pertaining to metric thresholds and custom metric families.

Data Types: char

Location — Folder containing XML file

character vector | string scalar

Name of folder containing XML file that contains Metrics Dashboard customizations pertaining to metric thresholds and custom metric families. This input argument is optional.

Data Types: char

Locale — Name of folder containing XML file

character vector | string scalar

Name of folder containing XML file that contains Metrics Dashboard customizations. This input argument is optional.

Data Types: char

Output Arguments

Co — Configuration object

character vector | string scalar

slmetric.config.Configuration object that you want to open.

Data Types: char

Examples

Access an Existing Configuration Object

Use the open method to add an existing slmetric.config.Configuration object to the base workspace. As an input, specify the name of the XML file that contains the information on the custom metric families and metric thresholds corresponding to the configuration object. If you modify the information that this configuration object contains, use the slmetric.config.Configuration.save method to save this information to the XML file.

```
CONF = slmetric.config.Configuration.open('FileName', 'myConfig.xml', ...  
    'Location', pwd());
```

See Also

slmetric.config.Configuration | slmetric.config.getActiveConfiguration |
slmetric.config.setActiveConfiguration

Topics

“Collect and Explore Metric Data by Using the Metrics Dashboard”
“Customize Metrics Dashboard Layout and Functionality”

Introduced in R2018b

save

Class: `slmetric.config.Configuration`

Package: `slmetric.config`

Save contents of `slmetric.config.Configuration` object to XML file

Syntax

```
save(Config,'FileName','myConfig.xml',... 'Location',pwd, 'locale', 'ja_JP');
```

Description

Save the contents of a configuration object to an XML file. The configuration object contains Metrics Dashboard customizations pertaining to metric thresholds and custom metric families.

`save(Config,'FileName','myConfig.xml',... 'Location',pwd, 'locale', 'ja_JP');` saves the contents of a configuration object to an XML file.

Note Do not manually edit the XML file.

Input Arguments

Config — Configuration object

`slmetric.config.Configuration` object

`slmetric.config.Configuration` object to create Metrics Dashboard customizations. This property is read/write.

FileName — Name of XML file

character vector | string scalar

Name of XML file that contains Metrics Dashboard customizations pertaining to metric thresholds and custom metric families.

Data Types: char

Location — Name of folder containing XML file

character vector | string scalar

Name of folder containing XML file, which contains Metrics Dashboard customizations pertaining to metric thresholds and custom metric families.

Data Types: char

locale — Create folder that is to contain XML file

character vector | string scalar

Name of new folder that is to contain XML file that contains information on Metrics Dashboard customizations pertaining to metric thresholds and custom metric families. If you do not specify a

value for `locale`, Simulink creates the XML file in the folder that you specify with the `Location` property. This input argument is optional.

Data Types: `char`

Examples

Serialize a Configuration Object to XML File

Serialize configuration object to XML file.

Use the `save` method to add an existing `slmetric.config.Configuration` object to the base workspace. As an input, specify the name of the XML file that contains information on the custom metric families and metric thresholds corresponding to the configuration object. If you modify the information that this configuration object contains, use the `slmetric.config.Configuration.save` method to save the information to this file.

```
save(CONF, 'config', 'FileName', 'Configfile.xml', 'Location', pwd)
```

Use the `slmetric.config.setActiveConfiguration` function to specify that the metric engine use this configuration.

```
slmetric.config.setActiveConfiguration('C:\temp\Configfile.xml');
```

See Also

`slmetric.config.Configuration` | `slmetric.config.getActiveConfiguration` | `slmetric.config.setActiveConfiguration`

Topics

“Collect and Explore Metric Data by Using the Metrics Dashboard”

“Customize Metrics Dashboard Layout and Functionality”

Introduced in R2018b

addClassification

Package: `slmetric.config`

Add metric data classification to `slmetric.config.Threshold` object

Syntax

```
TC = addClassification(threshold,category)
```

Description

`TC = addClassification(threshold,category)` adds a classification category to an `slmetric.config.Threshold` object.

After creating the object, use the `slmetric.config.MetricRange` object functions to specify ranges for `Compliant`, `NonCompliant`, and `Warning`. By default, a classification object has a `Compliant` range of `-inf` to `inf`. The Metrics Dashboard indicates the range that your metric data falls under.

Examples

Specify Metric Thresholds to Add to Metrics Dashboard

Add threshold information to the Metrics Dashboard by using `slmetric.config.Threshold` and `slmetric.config.Configuration` objects. You can add thresholds that define metric data ranges for these three categories:

- `Compliant` — Metric data that is an acceptable range
- `Warning` — Metric data that requires review
- `Noncompliant` — Metric data that requires you to modify your model

Create an `slmetric.config.Configuration` object.

```
CONF = slmetric.config.Configuration.new('name', 'Config');
```

Get the default `slmetric.config.ThresholdConfiguration` object in `CONF`.

```
TC = getThresholdConfigurations(CONF);
```

Create an `slmetric.config.Threshold` object and add it to the `slmetric.config.ThresholdConfiguration` object. This threshold is for the `mathworks.metrics.SimulinkBlockCount` metric and the `Value` property of the `slmetric.metric.Results` object.

```
T = addThreshold(TC, 'mathworks.metrics.SimulinkBlockCount', 'Value');
```

By default, the `slmetric.config.Threshold` object contains a `slmetric.config.Classification` object that defines metric ranges in the `compliant` category. Get the classification object by using the function `getClassifications` on the threshold object `T`.

```
C = getClassifications(T);
```

The `Range` property of the classification object is a `slmetric.metric.MetricRange` object. Specify metric values for the compliant category by using the `slmetric.metric.MetricRange` functions on the range of the classification object.

```
C.Range.Start = 5;
C.Range.IncludeStart = 0;
C.Range.End = 100;
C.Range.IncludeEnd = 0;
```

These values specify that a compliant range is a block count from 5 to 100. This range does not include the values 5 and 100.

Specify values for the warning metric range.

```
C = addClassification(T, 'Warning');
C.Range.Start = -inf;
C.Range.IncludeStart = 0;
C.Range.End = 5;
C.Range.IncludeEnd = 1;
```

These values specify that a warning is a block count between `-inf` and 5. This range does not include `-inf`. It does include 5.

Specify values for the noncompliant metric range.

```
C = addClassification(T, 'NonCompliant');
C.Range.Start = 100;
C.Range.IncludeStart = 1;
C.Range.End = inf;
C.Range.IncludeEnd = 0;
```

These values specify that a block count greater than 100 is noncompliant. This range includes 100. It does not include `inf`.

Use the `validate` method to validate the metric ranges corresponding to the thresholds in the `slmetric.config.ThresholdConfiguration` object.

```
validate(T)
```

If the ranges are not valid, you get an error message. In this example, the ranges are valid, so the function returns nothing.

Save the changes to the configuration file. Use the `slmetric.config.setActiveConfiguration` function to activate this configuration for the metric engine to use.

```
configName = 'Config.xml';
save(CONF, 'FileName', configName);
slmetric.config.setActiveConfiguration(fullfile(pwd, configName));
```

You can now run the Metrics Dashboard with this custom configuration on a model.

Input Arguments

threshold – Metric threshold

`slmetric.config.threshold` object

Metric threshold, specified as an `slmetric.config.threshold` object.

category — Threshold category`'Compliant' (default) | 'Warning' | 'NonCompliant'`

Threshold category, specified as one of these three categories:

- Compliant — Metric data that is in an acceptable range
- Warning — Metric data that requires review
- NonCompliant — Metric data that requires you to modify your model

Data Types: char

Output Arguments**TC — Classification category**`slmetric.config.Classification` object

Classification category, returned as a `slmetric.config.Classification` object.

See Also`slmetric.config.Threshold` | `slmetric.config.getActiveConfiguration` | `slmetric.config.setActiveConfiguration`**Topics**

“Collect and Explore Metric Data by Using the Metrics Dashboard”

“Customize Metrics Dashboard Layout and Functionality”

Introduced in R2018b

getClassifications

Package: `slmetric.config`

Obtain metric data classifications

Syntax

```
classifications = getClassifications(threshold)
```

Description

`classifications = getClassifications(threshold)` returns the `slmetric.config.Classification` object or an array of `slmetric.config.Classification` objects that are in the threshold object.

Examples

Remove Classification Object from Threshold Object

Add classification information to an `slmetric.config.Threshold` object. Then, use the `getClassifications` function to identify the `slmetric.config.Classification` objects that belong to the threshold object. Use the `removeClassification` function to remove a classification object from the threshold object.

Create an `slmetric.config.Configuration` object and get the default `slmetric.config.ThresholdConfiguration` object.

```
CONF = slmetric.config.Configuration.new('name', 'Config');
TC = getThresholdConfigurations(CONF);
```

Create an `slmetric.config.Threshold` object and add it to the `slmetric.config.ThresholdConfiguration` object. This threshold is for the `mathworks.metrics.SimulinkBlockCount` metric and the `Value` property of the `slmetric.metric.Results` object.

```
T = addThreshold(TC, 'mathworks.metrics.SimulinkBlockCount', 'Value');
```

Get the default classification object, which defines the compliant category, by using the function `getClassifications` on the threshold object `T`. Specify metric values for the compliant category by using the `slmetric.metric.MetricRange` functions on the range of the classification object.

```
C = getClassifications(T);
C.Range.Start = 5;
C.Range.IncludeStart = 0;
C.Range.End = 100;
C.Range.IncludeEnd = 0;
```

Specify values for the Warning metric range.

```
C = addClassification(T, 'Warning');
C.Range.Start = -inf;
C.Range.IncludeStart = 0;
```

```
C.Range.End = 5;  
C.Range.IncludeEnd = 1;
```

Specify values for the `NonCompliant` metric range.

```
C = addClassification(T, 'NonCompliant');  
C.Range.Start = 100;  
C.Range.IncludeStart = 1;  
C.Range.End = inf;  
C.Range.IncludeEnd = 0;
```

Now, the `slmetric.config.Threshold` object, `T`, contains three `slmetric.config.Classification` objects. Each one corresponds to one of the categories `compliant`, `noncompliant`, and `warning`.

```
P = getClassifications(T)
```

```
P =
```

```
1×3 Classification array with properties:
```

```
Category  
Range
```

Look at the contents of the `Category` property.

```
P.Category
```

```
P.Category
```

```
ans =
```

```
'Warning'
```

```
ans =
```

```
'Compliant'
```

```
ans =
```

```
'NonCompliant'
```

Use the `removeClassification` function to remove the `warning` category from the `slmetric.config.Threshold` object.

```
removeClassification(T,P(1))
```

Input Arguments

threshold — Metric data thresholds

`slmetric.config.Threshold` object

Metric data thresholds, specified as an `slmetric.config.Threshold` object.

Output Arguments

classifications — Classification object

`slmetric.config.Classification` object | array of `slmetric.config.classification` objects

`slmetric.config.Classification` object or array of `slmetric.config.Classification` objects that contain metric data classifications.

See Also

`slmetric.config.Threshold` | `slmetric.config.getActiveConfiguration` | `slmetric.config.setActiveConfiguration`

Topics

“Collect and Explore Metric Data by Using the Metrics Dashboard”

“Customize Metrics Dashboard Layout and Functionality”

Introduced in R2018b

removeClassification

Package: `slmetric.config`

Remove metric threshold classification

Syntax

```
removeClassification(T,C1)
```

Description

`removeClassification(T,C1)` removes the `slmetric.config.Classification` object `C1` from the `slmetric.config.Threshold` object `T`.

Examples

Remove Classification Object from Threshold Object

Add classification information to an `slmetric.config.Threshold` object. Then, use the `getClassifications` function to identify the `slmetric.config.Classification` objects that belong to the threshold object. Use the `removeClassification` function to remove a classification object from the threshold object.

Create an `slmetric.config.Configuration` object and get the default `slmetric.config.ThresholdConfiguration` object.

```
CONF = slmetric.config.Configuration.new('name', 'Config');  
TC = getThresholdConfigurations(CONF);
```

Create an `slmetric.config.Threshold` object and add it to the `slmetric.config.ThresholdConfiguration` object. This threshold is for the `mathworks.metrics.SimulinkBlockCount` metric and the `Value` property of the `slmetric.metric.Results` object.

```
T = addThreshold(TC, 'mathworks.metrics.SimulinkBlockCount', 'Value');
```

Get the default classification object, which defines the compliant category, by using the function `getClassifications` on the threshold object `T`. Specify metric values for the compliant category by using the `slmetric.metric.MetricRange` functions on the range of the classification object.

```
C = getClassifications(T);  
C.Range.Start = 5;  
C.Range.IncludeStart = 0;  
C.Range.End = 100;  
C.Range.IncludeEnd = 0;
```

Specify values for the Warning metric range.

```
C = addClassification(T, 'Warning');  
C.Range.Start = -inf;  
C.Range.IncludeStart = 0;
```



```
C.Range.End = 5;
C.Range.IncludeEnd = 1;
```

Specify values for the `NonCompliant` metric range.

```
C = addClassification(T, 'NonCompliant');
C.Range.Start = 100;
C.Range.IncludeStart = 1;
C.Range.End = inf;
C.Range.IncludeEnd = 0;
```

Now, the `slmetric.config.Threshold` object, `T`, contains three `slmetric.config.Classification` objects. Each one corresponds to one of the categories `compliant`, `noncompliant`, and `warning`.

```
P = getClassifications(T)
```

```
P =
```

```
1×3 Classification array with properties:
```

```
Category
Range
```

Look at the contents of the `Category` property.

```
P.Category
```

```
P.Category
```

```
ans =
```

```
'Warning'
```

```
ans =
```

```
'Compliant'
```

```
ans =
```

```
'NonCompliant'
```

Use the `removeClassification` function to remove the `warning` category from the `slmetric.config.Threshold` object.

```
removeClassification(T,P(1))
```

Input Arguments

T — Threshold object

`slmetric.config.Threshold` object

Threshold object, specified as an `slmetric.config.Threshold` object.

C1 — Classification object to remove

`slmetric.config.Classification` object

Classification object to remove, specified as an `slmetric.config.Classification` object.

See Also

`slmetric.config.Threshold` | `slmetric.config.getActiveConfiguration` |
`slmetric.config.setActiveConfiguration`

Topics

“Collect and Explore Metric Data by Using the Metrics Dashboard”

“Customize Metrics Dashboard Layout and Functionality”

Introduced in R2018b

validate

Package: `slmetric.config`

Validate metric range thresholds

Syntax

```
validate(threshold)
```

Description

`validate(threshold)` checks each `slmetric.config.Classification` object in the `threshold` object to verify that the values specified for the `Category` and `Range` properties are valid. The ranges of each category must not overlap and the ranges together must cover from `-inf` to `inf`. If the values are not valid, the function returns an error informing you of what to fix.

Examples

Specify Metric Thresholds to Add to Metrics Dashboard

Add threshold information to the Metrics Dashboard by using `slmetric.config.Threshold` and `slmetric.config.Configuration` objects. You can add thresholds that define metric data ranges for these three categories:

- Compliant — Metric data that is an acceptable range
- Warning — Metric data that requires review
- Noncompliant — Metric data that requires you to modify your model

Create an `slmetric.config.Configuration` object.

```
CONF = slmetric.config.Configuration.new('name', 'Config');
```

Get the default `slmetric.config.ThresholdConfiguration` object in `CONF`.

```
TC = getThresholdConfigurations(CONF);
```

Create an `slmetric.config.Threshold` object and add it to the `slmetric.config.ThresholdConfiguration` object. This threshold is for the `mathworks.metrics.SimulinkBlockCount` metric and the `Value` property of the `slmetric.metric.Results` object.

```
T = addThreshold(TC, 'mathworks.metrics.SimulinkBlockCount', 'Value');
```

By default, the `slmetric.config.Threshold` object contains a `slmetric.config.Classification` object that defines metric ranges in the compliant category. Get the classification object by using the function `getClassifications` on the threshold object `T`.

```
C = getClassifications(T);
```

The `Range` property of the classification object is a `slmetric.metric.MetricRange` object. Specify metric values for the compliant category by using the `slmetric.metric.MetricRange` functions on the range of the classification object.

```
C.Range.Start = 5;  
C.Range.IncludeStart = 0;  
C.Range.End = 100;  
C.Range.IncludeEnd = 0;
```

These values specify that a compliant range is a block count from 5 to 100. This range does not include the values 5 and 100.

Specify values for the warning metric range.

```
C = addClassification(T, 'Warning');  
C.Range.Start = -inf;  
C.Range.IncludeStart = 0;  
C.Range.End = 5;  
C.Range.IncludeEnd = 1;
```

These values specify that a warning is a block count between `-inf` and 5. This range does not include `-inf`. It does include 5.

Specify values for the noncompliant metric range.

```
C = addClassification(T, 'NonCompliant');  
C.Range.Start = 100;  
C.Range.IncludeStart = 1;  
C.Range.End = inf;  
C.Range.IncludeEnd = 0;
```

These values specify that a block count greater than 100 is noncompliant. This range includes 100. It does not include `inf`.

Use the `validate` method to validate the metric ranges corresponding to the thresholds in the `slmetric.config.ThresholdConfiguration` object.

```
validate(T)
```

If the ranges are not valid, you get an error message. In this example, the ranges are valid, so the function returns nothing.

Save the changes to the configuration file. Use the `slmetric.config.setActiveConfiguration` function to activate this configuration for the metric engine to use.

```
configName = 'Config.xml';  
save(CONF, 'FileName', configName);  
slmetric.config.setActiveConfiguration(fullfile(pwd, configName));
```

You can now run the Metrics Dashboard with this custom configuration on a model.

Input Arguments

threshold — Threshold object to validate

`slmetric.config.Threshold` object

Threshold object to validate, specified as an `slmetric.config.Threshold` object.

See Also

`slmetric.config.Threshold` | `slmetric.config.getActiveConfiguration` |
`slmetric.config.setActiveConfiguration`

Topics

“Collect and Explore Metric Data by Using the Metrics Dashboard”

“Customize Metrics Dashboard Layout and Functionality”

Introduced in R2018b

addThreshold

Class: `slmetric.config.ThresholdConfiguration`

Package: `slmetric.config`

Create an `slmetric.config.Threshold` object

Syntax

`TH = addThreshold(TC,metricid,thresholdproperty)`

Description

Create an `slmetric.config.Threshold` object to apply thresholds to the data for a specific metric.

`TH = addThreshold(TC,metricid,thresholdproperty)` creates an `slmetric.config.Threshold` object.

Input Arguments

TC – Threshold configuration object

`slmetric.config.ThresholdConfiguration` object

`slmetric.config.ThresholdConfiguration` object for which you add an `slmetric.config.Threshold` object.

Data Types: `char`

metricid – Metric identifier

`character vector` | `string scalar`

Metric identifier for model metric or custom model metric that you create.

Example: `'mathworks.metrics.SimulinkBlockCount'`

Data Types: `char`

thresholdproperty – Result object property

`character vector` | `string scalar`

`slmetric.metric.Result` property to which you apply thresholds. You can apply thresholds to the `Value` and `AggregatedValue` properties.

Output Arguments

TH – Threshold object

`slmetric.config.Threshold` object

`slmetric.config.Threshold` object for applying thresholds to either the `Value` or `AggregatedValue` properties of an `slmetric.metric.Result` object.

Examples

Add Thresholds to a Threshold Configuration Object

By default, an `slmetric.config.Configuration` object holds one `slmetric.config.ThresholdConfiguration` object. Use the `getThresholdConfigurations` method to add this object to the base workspace. Use the `slmetric.config.addThreshold` method to add `slmetric.config.Threshold` objects to this `slmetric.config.ThresholdConfiguration` object.

Create an `slmetric.config.Configuration` object.

```
CONF = slmetric.config.Configuration.new('name', 'Config');
```

Get the default `slmetric.config.ThresholdConfiguration` object in `CONF`.

```
TC = getThresholdConfigurations(CONF);
```

Add an `slmetric.config.Threshold` object to the `slmetric.config.ThresholdConfiguration` object `TC`. This threshold is for the `mathworks.metrics.SubSystemCount` metric and the `Value` property of the `slmetric.metric.Results` object.

```
E = addThreshold(TC, 'mathworks.metrics.SubSystemCount', 'Value');
```

Use the `slmetric.config.Classification` and `slmetric.config.MetricRange` classes to specify threshold values corresponding to the `mathworks.metrics.SubsystemCount` metric.

See Also

`slmetric.config.ThresholdConfiguration` | `slmetric.config.getActiveConfiguration`
| `slmetric.config.setActiveConfiguration`

Topics

“Collect and Explore Metric Data by Using the Metrics Dashboard”
“Customize Metrics Dashboard Layout and Functionality”

Introduced in R2018b

getThresholds

Class: `slmetric.config.ThresholdConfiguration`

Package: `slmetric.config`

Obtain properties of threshold objects

Syntax

```
T = getThresholds(TH,metricid)
```

Description

Determine the properties of the threshold objects that a threshold configuration object holds. You can also use this method with the `slmetric.config.ThresholdConfiguration.removeThresholds` method to identify and remove a threshold object from a `slmetric.config.ThresholdConfiguration` object.

`T = getThresholds(TH,metricid)` creates a threshold object or an array of threshold objects.

Input Arguments

TH — Threshold configuration object

`slmetric.config.ThresholdConfiguration` object

`slmetric.config.ThresholdConfiguration` object for which you want information on the threshold objects it holds.

MetricID — Metric identifier

character vector | string scalar

Metric identifier for model metric or custom model metric that you create. This argument is optional. If you do not specify a `metricID`, you get information on all thresholds that the Threshold configuration object holds.

Example: `'mathworks.metrics.SimulinkBlockCount'`

Data Types: `char`

Output Arguments

T — Threshold object or array of threshold objects

character vector | string scalar | array of character vectors | array of string scalars

`slmetric.config.Threshold` object or array of `slmetric.config.Threshold` objects corresponding to the `slmetric.config.ThresholdConfiguration` object that you specify as an input.

Examples

Identify Threshold Objects in a Threshold Configuration Object

Use the `getThresholds` method to identify the `slmetric.config.Threshold` objects that belong to an `slmetric.config.ThresholdConfiguration` object.

For the `slmetric.config.ThresholdConfiguration` object TC, use the `getThresholds` method.

```
getThresholds(TC)
```

1×2 Threshold array with properties:

```
  MetricID  
  AppliesTo
```

The `slmetric.config.ThresholdConfiguration` object TC contains two `slmetric.config.Threshold` objects.

See Also

`slmetric.config.ThresholdConfiguration` | `slmetric.config.getActiveConfiguration`
| `slmetric.config.setActiveConfiguration`

Topics

“Collect and Explore Metric Data by Using the Metrics Dashboard”

“Customize Metrics Dashboard Layout and Functionality”

Introduced in R2018b

removeThreshold

Class: `slmetric.config.ThresholdConfiguration`

Package: `slmetric.config`

Remove threshold object from threshold configuration object

Syntax

```
removeThreshold(TC,T)
```

Description

Remove a threshold object from a threshold configuration object.

`removeThreshold(TC,T)` removes the `slmetric.config.Threshold` object `T` from the `slmetric.config.ThresholdConfiguration` object `TC`.

Input Arguments

TC – Threshold configuration object

`slmetric.config.ThresholdConfiguration` object

`slmetric.config.ThresholdConfiguration` object from which you want to remove an `slmetric.config.Threshold` object.

Data Types: char

T – Threshold object

`slmetric.config.Threshold` | object

`slmetric.config.Threshold` object that you want to remove from an `slmetric.config.ThresholdConfiguration` object.

Data Types: char

Examples

Remove Threshold Object from a Threshold Configuration Object

Use the `getThresholds` method to identify the `slmetric.config.Threshold` objects that belong to an `slmetric.config.ThresholdConfiguration` object. Then, use the `removeThreshold` method to remove an `slmetric.config.Threshold` object.

For the `slmetric.config.ThresholdConfiguration` object `TC`, use the `getThresholds` method.

```
A = getThresholds(TC)
```

```
A =
```

1×2 Threshold array with properties:

```
MetricID
AppliesTo
```

The `slmetric.config.ThresholdConfiguration` object TC contains two `slmetric.config.Threshold` objects.

Identify the `slmetric.config.Threshold` object that you want to remove from the `slmetric.config.ThresholdConfiguration` object.

A.MetricID

```
ans =
```

```
    'mathworks.metrics.SimulinkBlockCount'
```

```
ans =
```

```
    'mathworks.metricchecks.SubSystemCount'
```

Remove the second element of the array that corresponds to the `mathworks.metricchecks.SubSystemCount` metric.

```
removeThreshold(TC,A(2))
```

The `slmetric.ThresholdConfiguration` object now contains one `slmetric.config.Threshold` object corresponding to the `mathworks.metricchecks.SubSystemCount` metric.

```
getThresholds(TC)
```

```
ans =
```

```
Threshold with properties:
```

```
    MetricID: 'mathworks.metrics.SimulinkBlockCount'
    AppliesTo: 'Value'
```

See Also

`slmetric.config.ThresholdConfiguration` | `slmetric.config.getActiveConfiguration` | `slmetric.config.setActiveConfiguration`

Topics

“Collect and Explore Metric Data by Using the Metrics Dashboard”
 “Customize Metrics Dashboard Layout and Functionality”

Introduced in R2018b

slmetric.config.getActiveConfiguration

Package: slmetric.config

Obtain file path and name of XML file containing active Metrics Dashboard custom configuration

Syntax

Path = slmetric.config.getActiveConfiguration

Description

Path = slmetric.config.getActiveConfiguration returns the file path and name of the active Metrics Dashboard custom configuration file.

Examples

Get Default Metrics Dashboard Configuration

At the MATLAB command line, enter this command to get the active Metrics Dashboard configuration:

```
slmetric.config.getActiveConfiguration();
```

Output Arguments

Path — File path to XML file

character vector | string scalar

Full file path to folder containing XML file, which contains the active Metrics Dashboard custom configuration.

Note Passing an empty string to the `slmetric.config.setActionConfiguration` function (that is, `slmetric.config.setActionConfiguration('')`), resets the configuration to the default, which is the shipping configuration. If you then enter the `slmetric.config.getActiveConfiguration` method, the method returns an empty array.

Data Types: char

See Also

`slmetric.config.Configuration` | `slmetric.config.setActiveConfiguration`

External Websites

“Collect and Explore Metric Data by Using the Metrics Dashboard”
“Customize Metrics Dashboard Layout and Functionality”

Introduced in R2018b

slmetric.config.setActiveConfiguration

Package: slmetric.config

Activate custom configuration for metric engine to use

Syntax

```
slmetric.config.setActiveConfiguration(fullfile)
```

Description

`slmetric.config.setActiveConfiguration(fullfile)` sets the custom configuration as the default configuration. When you collect metric data that uses the Metrics Dashboard or the `slmetric.Engine` execute method, the metric engine uses this custom configuration.

Note Passing an empty string to this function (that is, `slmetric.config.setActiveConfiguration('')`), resets the configuration to the default, which is shipping configuration.

Examples

Activate Custom Configuration

To set the active metric configuration, at the MATLAB command line:

```
slmetric.config.setActiveConfiguration('C:\temp\MyConfig.xml');
```

Input Arguments

fullfile — File path to XML file

character vector | string scalar

Full file path to folder containing the XML file, which contains Metrics Dashboard custom configurations.

Example: 'C:\temp\MyConfig.xml'

Data Types: char

See Also

`slmetric.config.Configuration` | `slmetric.config.getActiveConfiguration`

Topics

“Collect and Explore Metric Data by Using the Metrics Dashboard”
“Customize Metrics Dashboard Layout and Functionality”

Introduced in R2018b

metric.Engine

Collect metric data on model testing artifacts

Description

Use a `metric.Engine` object represents the metric engine that you can execute with the `execute` object function to collect metric data on the status and quality of requirements-based testing activities. Use `getMetrics` to access the metric data and return an array of `metric.Result` objects. The metrics analyze testing artifacts such as requirements, test results, and coverage results. Use the metric data to assess the status and quality of your requirements-based model testing.

Creation

Syntax

```
metric_engine = metric.Engine()  
metric_engine = metric.Engine(projectPath)
```

Description

`metric_engine = metric.Engine()` creates a metric engine object that collects metric data on the current project.

`metric_engine = metric.Engine(projectPath)` opens the project `projectPath` and creates a metric engine object that collects metric data on the project.

Input Arguments

projectPath — Path of project

character vector | string scalar

Path of the project for which you want to collect metric data, specified as a character vector or string scalar.

Properties

ProjectPath — Project for metric collection

string scalar

This property is read-only.

Project for which the engine collects metric data, returned as a string.

Object Functions

<code>execute</code>	Collect metric data for Model Testing Dashboard
<code>generateReport</code>	Generate report file that contains metric results

getArtifactErrors	Return errors that occurred during artifact tracing
getAvailableMetricIds	Return metric identifiers for available metrics
getMetrics	Access metric data for model testing artifacts
openArtifact	Open testing artifact traced from the metric result
updateArtifacts	Update trace information for any pending artifact changes in the project

Examples

Collect Metric Data on Testing Artifacts in a Project

Use a `metric.Engine` object to collect metric data on the requirements-based testing artifacts in a project.

Open the project. At the command line, type `dashboardCCProjectStart`.

```
dashboardCCProjectStart
```

Create a `metric.Engine` object for the project.

```
metric_engine = metric.Engine();
```

Update the trace information for `metric_engine` to ensure that the artifact information is up to date.

```
updateArtifacts(metric_engine)
```

Collect results for the metric `Requirements per test case` by executing the metric engine.

```
execute(metric_engine,{'RequirementsPerTestCase'});
```

Use the function `getMetrics` to access the results.

```
results = getMetrics(metric_engine, 'RequirementsPerTestCase');
for n = 1:length(results)
    disp(['Test Case: ', results(n).Artifacts(1).Name])
    disp(['  Number of Requirements: ', num2str(results(n).Value)])
end
```

```
Test Case: Set button
  Number of Requirements: 0
Test Case: Decrement button hold
  Number of Requirements: 1
Test Case: Resume button
  Number of Requirements: 1
Test Case: Cancel button
  Number of Requirements: 1
Test Case: Decrement button short
  Number of Requirements: 2
Test Case: Increment button hold
  Number of Requirements: 1
Test Case: Increment button short
  Number of Requirements: 2
Test Case: Enable button
  Number of Requirements: 1
```

The results show that the test case `Set` button is missing links to requirements. To fix this, you would link the test case to the requirement that it verifies.

See Also

`metric.Result`

Topics

“Collect Metrics on Model Testing Artifacts Programmatically”

Introduced in R2020b

execute

Package: `metric`

Collect metric data for Model Testing Dashboard

Syntax

```
execute(metricEngine,metricIDs)
execute(metricEngine,metricIDs,'ArtifactScope',scope)
```

Description

`execute(metricEngine,metricIDs)` collects results in the specified `metric.Engine` object for the metrics that you specify in `metricIDs`.

Note that there is also a function `execute` in the Fixed-Point Designer™ documentation.

`execute(metricEngine,metricIDs,'ArtifactScope',scope)` collects metric results for the artifacts in the `scope` that you specify. For example, you can specify the `scope` to be a unit in your project. A unit is a functional entity in your software architecture that you can execute and test independently or as part of larger system tests. The artifacts in a unit include design artifacts, requirements, test cases, and test results that trace to the unit.

Examples

Collect Metrics for Testing Artifacts in a Project

Collect metric data on the requirements-based testing artifacts in a project.

Open the project. At the command line, type `dashboardCCProjectStart`.

```
dashboardCCProjectStart
```

Create a `metric.Engine` object for the project.

```
metric_engine = metric.Engine();
```

Update the trace information for `metric_engine` to ensure that the artifact information is up to date.

```
updateArtifacts(metric_engine)
```

Collect results for the metric `Requirements per test case` by executing the metric engine.

```
execute(metric_engine,{'RequirementsPerTestCase'});
```

Use the function `getMetrics` to access the results.

```
results = getMetrics(metric_engine,'RequirementsPerTestCase');
for n = 1:length(results)
    disp(['Test Case: ',results(n).Artifacts(1).Name])
```

```
        disp([' Number of Requirements: ', num2str(results(n).Value)])
    end

Test Case: Set button
    Number of Requirements: 0
Test Case: Decrement button hold
    Number of Requirements: 1
Test Case: Resume button
    Number of Requirements: 1
Test Case: Cancel button
    Number of Requirements: 1
Test Case: Decrement button short
    Number of Requirements: 2
Test Case: Increment button hold
    Number of Requirements: 1
Test Case: Increment button short
    Number of Requirements: 2
Test Case: Enable button
    Number of Requirements: 1
```

Collect Metrics for a Unit

Collect metrics for one unit in the project. Specify a model and collect metrics for only the artifacts that trace to the model.

Open the project that contains the model. At the command line, type `dashboardCCProjectStart`.

```
dashboardCCProjectStart
```

Create a `metric.Engine` object for the project.

```
metric_engine = metric.Engine();
```

Update the trace information for `metric_engine` to ensure that the artifact information is up to date.

```
updateArtifacts(metric_engine)
```

Create a variable that represents the path to the model `db_DriverSwRequest`.

```
modelPath = fullfile(pwd, 'models', 'db_DriverSwRequest.slx');
```

Collect results for the metric `Requirements per test case` by using the `execute` function on the engine object and limiting the scope to the `db_DriverSwRequest` model.

```
execute(metric_engine, {'RequirementsPerTestCase'}, 'ArtifactScope', {modelPath, 'db_DriverSwRequest'});
```

Use the function `getMetrics` to access the results.

```
results = getMetrics(metric_engine, 'RequirementsPerTestCase');
for n = 1:length(results)
    disp(['Test Case: ', results(n).Artifacts(1).Name])
    disp([' Number of Requirements: ', num2str(results(n).Value)])
end
```

```
Test Case: Set button
    Number of Requirements: 0
```

```

Test Case: Resume button
  Number of Requirements: 1
Test Case: Decrement button short
  Number of Requirements: 2
Test Case: Enable button
  Number of Requirements: 1
Test Case: Increment button hold
  Number of Requirements: 1
Test Case: Increment button short
  Number of Requirements: 2
Test Case: Cancel button
  Number of Requirements: 1
Test Case: Decrement button hold
  Number of Requirements: 1

```

Input Arguments

metricEngine — Metric engine object

`metric.Engine` object

Metric engine object for which you want to collect metric results, specified as a `metric.Engine` object.

metricIDs — Metric identifiers

character vector | cell array of character vectors | string | string array

Metric identifiers for metrics that you want to collect, specified as a character vector, cell array of character vectors, string, or string array. Collecting results for a metric requires a Simulink Test™ license, a Requirements Toolbox™ license, or a Simulink Coverage™ license. For a list of metrics and their identifiers and license requirements, see “Model Testing Metrics” on page 5-2.

Example: `'TestCasesPerRequirementDistribution'`

Example: `{'TestCaseStatus', 'DecisionCoverageBreakdown'}`

Example: `"TestCasesPerRequirementDistribution"`

Example: `["TestCaseStatus", "DecisionCoverageBreakdown"]`

scope — Path and identifier of project file

cell array of character vectors | string array

Path and identifier of the project file for which you want to collect metric results, specified as a cell array of character vectors or a string array. The first entry is the full path to a project file and the second entry is the identifier of the object inside the project file.

For a unit model, the first entry is the full path to the model file and the second entry is the name of the block diagram. When you use this argument, the metric engine collects the results for the artifacts that trace to specified project file.

Example: `{'C:\work\MyModel.slx', 'MyModel'}`

Example: `["C:\work\MyModel.slx", "MyModel"]`

See Also

`metric.Engine` | `generateReport` | `getArtifactErrors` | `getAvailableMetricIds` | `getMetrics` | `openArtifact` | `updateArtifacts`

Topics

“Collect Metrics on Model Testing Artifacts Programmatically”

Introduced in R2020b

generateReport

Package: `metric`

Generate report file that contains metric results

Syntax

```
reportFile = generateReport(metricEngine)
reportFile = generateReport(metricEngine, 'App', 'DashboardApp')
reportFile = generateReport( ____, Name, Value)
```

Description

`reportFile = generateReport(metricEngine)` creates a PDF report of the metric results from `metricEngine` in the root folder of the project. The generated report shows metric results from the requirements-based version of the Model Testing Dashboard. Before you generate the report, collect metric results for the engine by using the `execute` function.

`reportFile = generateReport(metricEngine, 'App', 'DashboardApp')` creates a filtered PDF report that shows metric results from the Model Testing Dashboard app.

Note that there is also a function `generateReport` in the Fixed-Point Designer documentation.

`reportFile = generateReport(____, Name, Value)` specifies options using one or more name-value arguments. For example, `'Type', 'html-file'` generates an HTML file.

Examples

Generate a Report for Requirements-Based Testing Metrics

Analyze the requirements-based testing artifacts in a project and generate a report file that contains the results.

Open the project that you want to analyze. For this example, open the project by using the command `dashboardCCProjectStart`.

```
dashboardCCProjectStart
```

Create a `metric.Engine` object for the project.

```
metric_engine = metric.Engine();
```

Update the trace information for `metric_engine` to ensure that the artifact information is up to date.

```
updateArtifacts(metric_engine)
```

Create a list of the available metric identifiers for the requirements-based version of the Model Testing Dashboard by specifying the dashboard version as `'RequirementsBasedModelUnitTesting'`.

```
metric_ids = getAvailableMetricIds(metric_engine,...  
'App','DashboardApp',...  
'Dashboard','RequirementsBasedModelUnitTesting');
```

Collect the results by executing the metric engine on the list of metric identifiers.

```
execute(metric_engine, metric_ids);
```

Generate an HTML report named `metricResultsReport` in the current directory, which is the root folder of the project.

```
reportLocation = fullfile(pwd, 'metricResultsReport.html');  
generateReport(metric_engine, 'Type', 'html-file', 'Location', reportLocation);
```

Open the HTML report from the root folder of the project. To open the table of contents and navigate to results for each unit, click the menu icon in the top-left corner of the report. For each unit in the report, there is an artifact summary table that displays the number of artifacts in the requirements, design, and tests.

Input Arguments

metricEngine — Metric engine object

`metric.Engine` object

Metric engine object for which you collected metric results, specified as a `metric.Engine` object.

Name-Value Pair Arguments

Specify optional pairs of arguments as `Name1=Value1, ..., NameN=ValueN`, where `Name` is the argument name and `Value` is the corresponding value. Name-value arguments must appear after other arguments, but the order of the pairs does not matter.

Before R2021a, use commas to separate each name and value, and enclose Name in quotes.

Example: `'Type', 'html-file'`

Type — File type

`'pdf'` (default) | `'html-file'`

File type for the generated report, specified as `'pdf'` or `'html-file'`.

Example: `'html-file'`

Location — Full file name

character vector | string scalar

Full file name for the generated report, specified as a character vector or string scalar. Use the location to specify the name of the report. By default, the report is named `untitled`.

Example: `'C:\MyProject\Reports\RBTResults.html'`

Output Arguments

reportFile — Full file name of report

character vector

Full file name of the generated report, returned as a character vector.

See Also

`metric.Engine` | `execute` | `getArtifactErrors` | `getAvailableMetricIds` | `getMetrics` | `openArtifact` | `updateArtifacts`

Topics

“Collect Metrics on Model Testing Artifacts Programmatically”

“Collecting Requirements-Based Testing Metrics Using Continuous Integration”

Introduced in R2021a

getArtifactErrors

Package: `metric`

Return errors that occurred during artifact tracing

Syntax

```
errors = getArtifactErrors(metricEngine)
```

Description

`errors = getArtifactErrors(metricEngine)` returns the errors that occurred when the metric engine analyzed the testing artifacts. When you collect metric results by using the `execute` function, the engine object does not collect results for artifacts that return errors during analysis.

Note that there is also a function `getArtifactErrors` in the Fixed-Point Designer documentation.

Examples

Check for Artifact Errors After Collecting Metric Results

Collect metrics for the testing artifacts in a project. Then, check if artifacts returned errors and were not analyzed.

Open the project. At the command line, type `dashboardCCProjectStart`.

```
dashboardCCProjectStart
```

Create a `metric.Engine` object for the project.

```
metric_engine = metric.Engine();
```

Update the trace information for `metric_engine` to ensure that the artifact information is up to date.

```
updateArtifacts(metric_engine)
```

Collect results for the metric Requirements per test case by using the `execute` function on the `metric.Engine` object.

```
execute(metric_engine,{'RequirementsPerTestCase'});
```

Access the errors that occurred during analysis.

```
getArtifactErrors(metric_engine)
```

```
ans =
```

```
  0×0 empty struct array with fields:
```

```
    Address
```

```
UUID
ErrorId
ErrorMessage
```

For this example, the artifacts did not return errors.

Input Arguments

metricEngine — Metric engine object

`metric.Engine` object

Metric engine object that you want to check for errors, specified as a `metric.Engine` object.

Output Arguments

errors — Artifact errors

struct array

Artifact errors that occurred when you executed the `metric.Engine` object, returned as an array of structures that correspond to the errors. The structure for an error contains these fields:

- **Address** — Address of the artifact that returned the error
- **UUID** — Unique identifier of the artifact
- **ErrorID** — Identifier of the error
- **ErrorMessage** — Description of the error

See Also

`metric.Engine` | `execute` | `generateReport` | `getAvailableMetricIds` | `getMetrics` | `openArtifact` | `updateArtifacts`

Topics

“Collect Metrics on Model Testing Artifacts Programmatically”

Introduced in R2020b

getAvailableMetricIds

Package: metric

Return metric identifiers for available metrics

Syntax

```
availableMetricIds = getAvailableMetricIds(metricEngine)
availableMetricIds = getAvailableMetricIds(
metricEngine, 'App', 'DashboardApp', 'Dashboard', dashboardVersion)
availableMetricIds = getAvailableMetricIds( ____, 'Installed',
installationStatus)
```

Description

`availableMetricIds = getAvailableMetricIds(metricEngine)` returns the metric identifiers for the metrics available for the specified `Metric.engine` object. By default, the list includes only the metrics available with the current installation.

`availableMetricIds = getAvailableMetricIds(metricEngine, 'App', 'DashboardApp', 'Dashboard', dashboardVersion)` returns the metric identifiers for the Model Testing Dashboard app based on the specified dashboard version `dashboardVersion`.

For example, this code returns the metric identifiers for requirements-based version of the Model Testing Dashboard:

```
availableMetricIds = getAvailableMetricIds(metricEngine, ...
'App', 'DashboardApp', ...
'Dashboard', 'RequirementsBasedModelUnitTesting');
```

For an additional syntax to display metric identifiers for design cost estimation, see `getAvailableMetricIds`.

`availableMetricIds = getAvailableMetricIds(____, 'Installed', installationStatus)` returns the metric identifiers, filtered by the `installationStatus`.

For example, specifying `installationStatus` as `false` allows you to return the metric identifiers for each of the available metrics, even if the associated MathWorks® products are not currently installed on your machine.

Examples

Collect Metrics for Testing Artifacts in a Project

Collect metric data on the requirements-based testing artifacts in a project.

Open a project that includes the models and testing files. At the command prompt, type `dashboardCCProjectStart`.

```
dashboardCCProjectStart
```

Create a `metric.Engine` object for the project.

```
metric_engine = metric.Engine();
```

Update the trace information for `metric_engine` to ensure that the artifact information is up to date.

```
updateArtifacts(metric_engine)
```

Create a list of the available metric identifiers for requirements-based version of the Model Testing Dashboard by specifying the dashboard version as `'RequirementsBasedModelUnitTesting'`.

```
metric_ids = getAvailableMetricIds(metric_engine,...
    'App','DashboardApp',...
    'Dashboard','RequirementsBasedModelUnitTesting');
```

Collect results by executing the metric engine on the list of metric identifiers.

```
execute(metric_engine,metric_ids);
```

Input Arguments

metricEngine — Metric engine object

`metric.Engine` object

Metric engine object for which you want to collect metric results, specified as a `metric.Engine` object.

dashboardVersion — Dashboard version identifier

`'ModelUnitTesting'` | `'RequirementsBasedModelUnitTesting'`

Identifier for the version of the dashboard, specified as one of these values:

- `'ModelUnitTesting'` — Return only the model testing metric identifiers that are not associated with requirements metrics.
- `'RequirementsBasedModelUnitTesting'` — Return each of the model testing metric identifiers, including requirements metrics.

Example: `'RequirementsBasedModelUnitTesting'`

installationStatus — Filter for metric installation status

`1 (true)` (default) | `0 (false)`

Filter for metric installation status, specified as one of these values:

- `1 (true)` — Returns only metric identifiers associated with the MathWorks products currently installed on your machine.
- `0 (false)` — Returns metric identifiers for each of the available metrics, even if the associated MathWorks products are not currently installed on your machine. You can use the list of each of the available metric identifiers to access the metric data collected on a different machine.

Example: `false`

Data Types: `logical`

Output Arguments

availableMetricIds — Metric identifiers

string | string array

Metric identifiers for the available metrics, returned as a string or string array. For a list of model testing metrics and their identifiers, see “Model Testing Metrics” on page 5-2.

Example: "ConditionCoverageBreakdown"

```
Example: ["ConditionCoverageBreakdown", "DecisionCoverageBreakdown",  
"ExecutionCoverageBreakdown", "MCDCCoverageBreakdown",  
"RequirementWithTestCaseDistribution", "RequirementWithTestCasePercentage",  
"RequirementsPerTestCaseDistribution", "TestCaseStatusDistribution",  
"TestCaseStatusPercentage", "TestCaseTagDistribution",  
"TestCaseTypeDistribution", "TestCaseVerificationStatusDistribution",  
"TestCaseWithRequirementDistribution", "TestCaseWithRequirementPercentage",  
"TestCasesPerRequirementDistribution"]
```

See Also

`metric.Engine` | `execute` | `getMetrics` | `generateReport` | `updateArtifacts`

Topics

“Collect Metrics on Model Testing Artifacts Programmatically”

Introduced in R2021b

getMetrics

Package: `metric`

Access metric data for model testing artifacts

Syntax

```
results = getMetrics(metricEngine,metricIDs)
results = getMetrics(metricEngine,metricIDs,'ArtifactScope',scope)
```

Description

`results = getMetrics(metricEngine,metricIDs)` returns metric results for the specified `metric.Engine` object for the metrics that you specify in `metricIDs`. To collect metric results for the `metric.Engine`, use the `execute` function. Then, access the results by using `getMetrics`.

Note that there is also a function `getMetrics` in the Fixed-Point Designer documentation.

`results = getMetrics(metricEngine,metricIDs,'ArtifactScope',scope)` returns metric results for the artifacts in the `scope` that you specify. For example, you can specify the `scope` to be a unit in your project. A unit is a functional entity in your software architecture that you can execute and test independently or as part of larger system tests. The artifacts in a unit include design artifacts, requirements, test cases, and test results that trace to the unit.

Examples

Collect Metrics for Testing Artifacts in a Project

Collect metric data on the requirements-based testing artifacts in a project.

Open the project. At the command line, type `dashboardCCProjectStart`.

```
dashboardCCProjectStart
```

Create a `metric.Engine` object for the project.

```
metric_engine = metric.Engine();
```

Update the trace information for `metric_engine` to ensure that the artifact information is up to date.

```
updateArtifacts(metric_engine)
```

Collect results for the metric `RequirementsPerTestCase` by executing the metric engine.

```
execute(metric_engine,{'RequirementsPerTestCase'});
```

Access the metric results.

```
results = getMetrics(metric_engine,'RequirementsPerTestCase');
for n = 1:length(results)
```

```
    disp(['Test Case: ',results(n).Artifacts(1).Name])
    disp(['  Number of Requirements: ',num2str(results(n).Value)])
end

Test Case: Set button
  Number of Requirements: 0
Test Case: Decrement button hold
  Number of Requirements: 1
Test Case: Resume button
  Number of Requirements: 1
Test Case: Cancel button
  Number of Requirements: 1
Test Case: Decrement button short
  Number of Requirements: 2
Test Case: Increment button hold
  Number of Requirements: 1
Test Case: Increment button short
  Number of Requirements: 2
Test Case: Enable button
  Number of Requirements: 1
```

Collect Metrics for a Unit

Collect metrics for one unit in the project. Specify the unit and collect metrics for only the artifacts that trace to the model.

Open the project that contains the model. At the command line, type `dashboardCCProjectStart`.

```
dashboardCCProjectStart
```

Create a `metric.Engine` object for the project.

```
metric_engine = metric.Engine();
```

Update the trace information for `metric_engine` to ensure that the artifact information is up to date.

```
updateArtifacts(metric_engine)
```

Create a variable that represents the path to the unit model `db_DriverSwRequest`.

```
modelPath = fullfile(pwd, 'models', 'db_DriverSwRequest.slx');
```

Collect results for the metric `Requirements per test case` by using the `execute` function on the engine object and limiting the scope to the `db_DriverSwRequest` model.

```
execute(metric_engine,{'RequirementsPerTestCase'},'ArtifactScope',{modelPath, 'db_DriverSwRequest'});
```

Use the function `getMetrics` to access the results.

```
results = getMetrics(metric_engine,'RequirementsPerTestCase');
for n = 1:length(results)
    disp(['Test Case: ',results(n).Artifacts(1).Name])
    disp(['  Number of Requirements: ',num2str(results(n).Value)])
end
```

```
Test Case: Set button
  Number of Requirements: 0
```



```

Test Case: Resume button
  Number of Requirements: 1
Test Case: Decrement button short
  Number of Requirements: 2
Test Case: Enable button
  Number of Requirements: 1
Test Case: Increment button hold
  Number of Requirements: 1
Test Case: Increment button short
  Number of Requirements: 2
Test Case: Cancel button
  Number of Requirements: 1
Test Case: Decrement button hold
  Number of Requirements: 1

```

Input Arguments

metricEngine — Metric engine object

`metric.Engine` object

Metric engine object for which you want to access metric results, specified as a `metric.Engine` object.

metricIDs — Metric identifiers

character vector | cell array of character vectors | string | string array

Metric identifiers for metrics that you want to access, specified as a character vector, cell array of character vectors, string, or string array. For a list of metrics and their identifiers, see “Model Testing Metrics” on page 5-2.

Example: `'TestCasesPerRequirementDistribution'`

Example: `{'TestCaseStatus', 'DecisionCoverageBreakdown'}`

Example: `"TestCasesPerRequirementDistribution"`

Example: `["TestCaseStatus", "DecisionCoverageBreakdown"]`

scope — Path and identifier of project file

cell array of character vectors

Path and identifier of the project file for which you want to access metric results, specified as a cell array. The first entry is the full path to a project file and the second entry is the identifier of the object inside the project file.

For a unit model, the first entry is the full path to the model file and the second entry is the name of the block diagram. When you use this argument, the metric engine returns the results for the artifacts that trace to specified project file.

Example: `{'C:\work\MyModel.slx', 'MyModel'}`

Example: `["C:\work\MyModel.slx", "MyModel"]`

Output Arguments

results — Metric results

array of `metric.Result` objects

Metric results, returned as an array of `metric.Result` objects.

See Also

`metric.Engine` | `execute` | `generateReport` | `getArtifactErrors` | `getAvailableMetricIds` | `openArtifact` | `updateArtifacts`

Topics

“Collect Metrics on Model Testing Artifacts Programmatically”

Introduced in R2020b

metric.Result

Metric data for specified metric algorithm and requirements-based testing artifacts

Description

A `metric.Result` object contains the metric data for a specified metric algorithm and testing artifacts that trace to the specified unit.

Creation

Syntax

```
metric_result = metric.Result
```

Description

`metric_result = metric.Result` creates a handle to a metric result object.

Alternatively, if you collect results by executing a `metric.Engine` object, using the `getMetrics` function on the engine object returns the collected `metric.Result` objects in an array.

Properties

MetricID — Metric identifier

string

Metric identifier for the metric algorithm that calculated the results, returned as a string.

Example: 'TestCasesPerRequirementDistribution'

Artifacts — Testing artifacts

structure | array of structures

Testing artifacts for which the metric is calculated, returned as a structure or an array of structures. For each artifact that the metric analyzed, the returned structure contains these fields:

- **UUID** — Unique identifier of the artifact.
- **Name** — Name of the artifact.
- **Type** — Type of artifact.
- **ParentUUID** — Unique identifier of the file that contains the artifact.
- **ParentName** — Name of the file that contains the artifact.
- **ParentType** — Type of file that contains the artifact.

Value — Result value

integer | string | double vector | structure

Value of the metric result for the specified algorithm and artifacts, returned as an integer, string, double vector, or structure. For a list of metrics and their result values, see “Model Testing Metrics” on page 5-2.

Scope — Scope of metric results

structure

Scope of the metric results, returned as a structure. The scope is the unit for which the metric collected results. The structure contains these fields:

- **UUID** — Unique identifier of the unit.
- **Name** — Name of the unit.
- **Type** — Type of unit.
- **ParentUUID** — Unique identifier of the file that contains the unit.
- **ParentName** — Name of the file that contains the unit.
- **ParentType** — Type of file that contains the unit.

UserData — User data

string

User data provided by the metric algorithm, returned as a string.

Examples

Collect Metric Data on Testing Artifacts in a Project

Collect metric data on the requirements-based testing artifacts in a project. Then, access the data by using the `metric.Result` objects.

Open the project. At the command line, type `dashboardCCProjectStart`.

```
dashboardCCProjectStart
```

Create a `metric.Engine` object for the project.

```
metric_engine = metric.Engine();
```

Update the trace information for `metric_engine` to ensure that the artifact information is up to date.

```
updateArtifacts(metric_engine)
```

Collect results for the metric Requirements per test case by using the `execute` function on the `metric.Engine` object.

```
execute(metric_engine, {'RequirementsPerTestCase'});
```

Use the function `getMetrics` to access the results. Assign the array of result objects to the `results` variable.

```
results = getMetrics(metric_engine, 'RequirementsPerTestCase');
```

Access the metric results data by using the properties of the `metric.Result` objects in the array.

```
for n = 1:length(results)
    disp(['Test Case: ',results(n).Artifacts(1).Name])
    disp(['  Number of Requirements: ',num2str(results(n).Value)])
end
```

```
Test Case: Set button
  Number of Requirements: 0
Test Case: Decrement button hold
  Number of Requirements: 1
Test Case: Resume button
  Number of Requirements: 1
Test Case: Cancel button
  Number of Requirements: 1
Test Case: Decrement button short
  Number of Requirements: 2
Test Case: Increment button hold
  Number of Requirements: 1
Test Case: Increment button short
  Number of Requirements: 2
Test Case: Enable button
  Number of Requirements: 1
```

See Also

`metric.Engine` | `execute`

Topics

“Collect Metrics on Model Testing Artifacts Programmatically”

Introduced in R2020b

modelTestingDashboard

Open Model Testing Dashboard

Syntax

```
modelTestingDashboard  
modelTestingDashboard(projectPath)
```

Description

`modelTestingDashboard` opens the Model Testing Dashboard for the current project.

`modelTestingDashboard(projectPath)` opens the Model Testing Dashboard for the project at the specified path.

Examples

Collect Metric Results in Dashboard for the Current Project

Assess the testing status of a Simulink project by using the Model Testing Dashboard.

Open the project. At the command line, type `dashboardCCProjectStart`.

```
dashboardCCProjectStart
```

Open the Model Testing Dashboard for the project.

```
modelTestingDashboard
```

In the dialog box, click **Trace and Collect All**. The dashboard collects metric data for the requirements-based testing artifacts in the project and displays the results in the widgets.

Open Dashboard for a Project Path

Open the Model Testing Dashboard for a project at a path that you specify.

Assign the variable `projectPath` to the path to the root folder of the project. For this example, the path is `C:/projects/TestingProject/`.

```
projectPath = 'C:/projects/TestingProject/';
```

Open the Model Testing Dashboard for the project at the path.

```
modelTestingDashboard(projectPath)
```

If you have previously opened the dashboard for the project, the dashboard populates with existing traceability and metric data. If you have not used the dashboard for the project, in the dialog box,

click **Trace and Collect All**. The dashboard collects metric data for the requirements-based testing artifacts in the project and displays the results in the widgets.

Input Arguments

projectPath — Path to project

character vector | string scalar

Path to the project file or project root folder for which you want to open the dashboard, specified as a character vector or string scalar.

Example: 'C:/projects/project1/myProject.prj'

Example: 'C:/projects/project1/'

See Also

Topics

“Explore Status and Quality of Testing Activities Using the Model Testing Dashboard”

Introduced in R2020b

openArtifact

Package: `metric`

Open testing artifact traced from the metric result

Syntax

```
openArtifact(metricEngine,artifactID)
```

Description

`openArtifact(metricEngine,artifactID)` opens the artifact that has the specified identifier in the specified `metric.Engine` object. The editor that opens depends on the type of artifact:

- Requirements open in the Requirements Editor.
- Test cases and test results open in the Test Manager.

Note that there is also a function `openArtifact` in the Fixed-Point Designer documentation.

Examples

Open Test Case Artifact from Metric Result

Collect metric data on the number of requirements linked to each test in a project. Then, open one of the test cases in the Test Manager.

Open the project. At the command line, type `dashboardCCProjectStart`.

```
dashboardCCProjectStart
```

Create a `metric.Engine` object for the project.

```
metric_engine = metric.Engine();
```

Update the trace information for `metric_engine` to ensure that the artifact information is up to date.

```
updateArtifacts(metric_engine)
```

Collect results for the metric `Requirements per test case` by executing the metric engine.

```
execute(metric_engine,{'RequirementsPerTestCase'});
```

Use the function `getMetrics` to access the results.

```
results = getMetrics(metric_engine,'RequirementsPerTestCase');  
for n = 1:length(results)  
    disp(['Test Case: ',results(n).Artifacts(1).Name])  
    disp([' Number of Requirements: ',num2str(results(n).Value)])  
end
```



```

Test Case: Set button
  Number of Requirements: 0
Test Case: Decrement button hold
  Number of Requirements: 1
Test Case: Resume button
  Number of Requirements: 1
Test Case: Cancel button
  Number of Requirements: 1
Test Case: Decrement button short
  Number of Requirements: 2
Test Case: Increment button hold
  Number of Requirements: 1
Test Case: Increment button short
  Number of Requirements: 2
Test Case: Enable button
  Number of Requirements: 1

```

Open the first test case in the Test Manager by using the artifact identifier.

```
openArtifact(metric_engine, results(1).Artifacts(1).UUID)
```

Input Arguments

metricEngine – Metric engine object

`metric.Engine` object

Metric engine object for which you collected metric results, specified as a `metric.Engine` object.

artifactID – Artifact identifier

character vector | string scalar

Artifact identifier, specified as a character vector or string scalar. In a `metric.Result` object, the `Artifacts` field contains a structure for each artifact that the result traces to. To get the identifier for an artifact, use the `UUID` field of the structure for the artifact.

See Also

`metric.Engine` | `execute` | `generateReport` | `getArtifactErrors` | `getAvailableMetricIds` | `getMetrics` | `updateArtifacts`

Topics

“Collect Metrics on Model Testing Artifacts Programmatically”

Introduced in R2020b

updateArtifacts

Package: `metric`

Update trace information for any pending artifact changes in the project

Syntax

```
updateArtifacts(metricEngine)
```

Description

`updateArtifacts(metricEngine)` updates the trace information for any pending artifact changes in the metric data specified by `metricEngine` to ensure that artifacts are captured by the metrics. If an artifact was created, deleted, or modified since the last time you used `updateArtifacts`, running `updateArtifacts` performs traceability analysis and updates the trace information.

Note When you collect metrics programmatically, call `updateArtifacts` before running tests to ensure that the dashboard tracks the test results.

If the dashboard user interface is not used for a project, the Model Testing Dashboard does not track test results produced in Simulink Test Manager that have not been exported to a results file or been saved to a report.

Note that there is also a function `updateArtifacts` in the Fixed-Point Designer documentation.

Examples

Collect Metrics for Testing Artifacts in a Project

Collect metric data on the requirements-based testing artifacts in a project.

Open the project that includes the models and testing files. At the command prompt, type `dashboardCCProjectStart`.

```
dashboardCCProjectStart
```

Create a `metric.Engine` object for the project.

```
metric_engine = metric.Engine();
```

Update the trace information for `metric_engine` to ensure that the artifact information is up to date.

```
updateArtifacts(metric_engine)
```

Create a list of the available metric identifiers.

```
metric_ids = getAvailableMetricIds(metric_engine);
```

Collect results by executing the metric engine on the list of metric identifiers.

```
execute(metric_engine,metric_ids);
```

Input Arguments

metricEngine – Metric engine object

`metric.Engine` object

Metric engine object for which you want to collect metric results, specified as a `metric.Engine` object.

See Also

`metric.Engine` | `execute` | `getMetrics` | `generateReport` | `getAvailableMetricIds`

Topics

“Collect Metrics on Model Testing Artifacts Programmatically”

Introduced in R2021b

Advisor.component.Component class

Package: `Advisor.component`

Create component for metric analysis

Description

Model component used for metric analysis. When you define a custom model metric, the component object defines the component for metric analysis.

Construction

`component_obj = Advisor.component.Component` creates a model component object.

Properties

ID — Component ID

character vector

Component identifier. This property is read/write.

Type — Component type

enum

Component type, as specified by `Advisor.component.Types`. This property is read/write.

Name — Component name

character vector

Model component name. This property is read/write.

IsLinked — Specifies if the component is linked to a library

logical

`IsLinked` is `true` if the component is linked to a library. Components of type `Model`, `ModelBlock`, `ProtectedModel` cannot be linked. For these properties, the `IsLinked` is always `true`.

Methods

`getPath` Retrieve component path

See Also

`Advisor.component.Types` | `slmetric.metric.Metric`

Topics

“Create a Custom Model Metric for Nonvirtual Block Count”
“Model Metrics” on page 2-289

Introduced in R2016a

getPath

Class: `Advisor.component.Component`

Package: `Advisor.component`

Retrieve component path

Syntax

```
path = getPath(component)
```

Description

`path = getPath(component)` retrieves the path to the component.

Input Arguments

component — **Component**

`Advisor.component.Component` model object

Constructed `Advisor.component.Component` model object.

Output Arguments

path — **Model component path**

character vector

Model component path, specified as a character vector.

See Also

`Advisor.component.Types`

Introduced in R2016a

Advisor.component.Types class

Package: Advisor.component

Create enum class specifying component type

Description

Create an enumeration Advisor.component.Types class to specify the model component type.

Construction

enum_comp_type = Advisor.component.Types.Model creates an enumeration of component type Model. The following table lists the component types.

Type	Description
Model	Simulink block diagram.
LibraryBlock	Library linked block.
MFile	MATLAB code file.
ProtectedModel	Protect Simulink block diagram.
SubSystem	Simulink subsystem block.
Chart	Stateflow [®] chart or Stateflow block.
MATLABFunction	MATLAB function block.

See Also

slmetric.metric.Metric | Advisor.component.Component

Topics

“Create a Custom Model Metric for Nonvirtual Block Count”

“Model Metrics” on page 2-289

Introduced in R2016a

ModelAdvisor.Action class

Package: ModelAdvisor

Add actions to custom checks

Description

Instances of this class define actions you take when the Model Advisor checks do not pass. Users access actions by clicking the **Action** button that you define in the Model Advisor window.

Construction

ModelAdvisor.Action	Add actions to custom checks
---------------------	------------------------------

Methods

setCallbackFcn	Specify action callback function
----------------	----------------------------------

Properties

Description	Message in Action box
Name	Action button label

Copy Semantics

Handle. To learn how this affects your use of the class, see Copying Objects in the MATLAB Programming Fundamentals documentation.

Examples

```
% define action (fix) operation
myAction = ModelAdvisor.Action;
myAction.Name='Fix block fonts';
myAction.Description=...
    'Click the button to update all blocks with specified font';
```

See Also

“Customize the Configuration of the Model Advisor Overview”

Topics

“Create Model Advisor Checks”

ModelAdvisor.Action

Class: ModelAdvisor.Action

Package: ModelAdvisor

Add actions to custom checks

Syntax

```
action_obj = ModelAdvisor.Action
```

Description

`action_obj = ModelAdvisor.Action` creates a handle to an action object.

Note

- Include an action definition in a check definition.
 - Each check can contain only one action.
-

Examples

```
% define action (fix) operation  
myAction = ModelAdvisor.Action;
```

See Also

“Customize the Configuration of the Model Advisor Overview”

Topics

“Create Model Advisor Checks”

ModelAdvisor.Check

Create custom Model Advisor checks

Description

The `ModelAdvisor.Check` class creates Model Advisor checks.

Creation

Syntax

```
check_obj = ModelAdvisor.Check(check_ID)
```

Description

`check_obj = ModelAdvisor.Check(check_ID)` creates a check object, `check_obj`, and assigns it a unique identifier, `check_ID`. To display checks in the Model Advisor tree, the checks must have an associated `ModelAdvisor.Task` or `ModelAdvisor.Root` object.

You can use one `ModelAdvisor.Check` object in multiple `ModelAdvisor.Task` objects, allowing you to place the same check in multiple locations in the Model Advisor tree. For example, **Check for implicit signal resolution** is displayed in the **By Product > Simulink** folder and in the **By Task > Model Referencing** folder in the Model Advisor tree.

When you use checks in task definitions, the following rules apply:

- If you define the properties of the check in the check definition and the task definition functions, the Model Advisor only displays the information contained in the task definition. For example, if you define the name of the check using the `ModelAdvisor.Task.DisplayName` property and using the `ModelAdvisor.Check.Title` property, the Model Advisor displays the information provided in `ModelAdvisor.Task.DisplayName`.
- If you define the properties of the check in the check definition but not the task definition, the task uses the properties from the check. For example, if you define the name of the check in the check definition function using the `ModelAdvisor.Check.Title` property, and you register the check using a task definition, the Model Advisor displays the information provided in `ModelAdvisor.Check.Title`.
- If you define the properties of the check in the task definition function but not the check definition function, the Model Advisor displays the information as long as you register the task with the Model Advisor instead of the check. For example, if you define the name of the check in the task definition using the `ModelAdvisor.Task.DisplayName` property instead of the `ModelAdvisor.Check.Title` property, and you register the check using a task definition, the Model Advisor displays the information provided in `ModelAdvisor.Task.DisplayName`.

Input Arguments

check_ID — Check ID for the custom Model Advisor check, specified as a character vector
character vector

Unique identifier for the custom Model Advisor check.

Properties

CallbackContext	Specify when to run check
CallbackHandle	Callback function handle for check
CallbackStyle	Callback function type
ErrorSeverity	Set severity of check failure
EmitInputParametersToReport	Display check input parameters in the Model Advisor report
Enable	Indicate whether user can enable or disable check
ID	Identifier for check
LicenseName	Product license names required to display and run check
Result	Results cell array
SupportExclusion	Set to support exclusions
SupportLibrary	Set to support library models
Title	Name of check
TitleTips	Description of check
Value	Status of check
Visible	Indicate to display or hide check
ResultDetails	Result details in a cell array

Object Functions

getID	Return check identifier
setAction	Specify action for check
setHelp	Set custom help for custom authored Model Advisor checks
setCallbackFcn	Specify callback function for check
setInputParameters	Specify input parameters for check
setInputParametersLayoutGrid	Specify layout grid for input parameters
setResultDetails	Associates result details with a check object

See Also

Topics

“Define Custom Model Advisor Checks”

“Customize the Configuration of the Model Advisor Overview”

“Create and Deploy a Model Advisor Custom Configuration”

Introduced in R2008a

ModelAdvisor.FactoryGroup class

Package: ModelAdvisor

Define subfolder in **By Task** folder

Description

The ModelAdvisor.FactoryGroup class defines a new subfolder to add to the **By Task** folder.

Construction

ModelAdvisor.FactoryGroup	Define subfolder in By Task folder
---------------------------	---

Methods

addCheck	Add check to folder
----------	---------------------

Properties

Description	Description of folder
DisplayName	Name of folder
ID	Identifier for folder
MAObj	Model Advisor object

Copy Semantics

Handle. To learn how this affects your use of the class, see Copying Objects in the MATLAB Programming Fundamentals documentation.

Examples

```
% --- sample factory group
rec = ModelAdvisor.FactoryGroup('com.mathworks.sample.factorygroup');
```

See Also

“Customize the Configuration of the Model Advisor Overview”

Topics

“Create Model Advisor Checks”

ModelAdvisor.FactoryGroup

Class: ModelAdvisor.FactoryGroup

Package: ModelAdvisor

Define subfolder in **By Task** folder

Syntax

```
fg_obj = ModelAdvisor.FactoryGroup(fg_ID)
```

Description

`fg_obj = ModelAdvisor.FactoryGroup(fg_ID)` creates a handle to a factory group object, `fg_obj`, and assigns it a unique identifier, `fg_ID`. `fg_ID` must remain constant.

Examples

```
% --- sample factory group  
rec = ModelAdvisor.FactoryGroup('com.mathworks.sample.factorygroup');
```

See Also

Topics

“Customize the Configuration of the Model Advisor Overview”

“Programmatically Customize Tasks and Folders for the Model Advisor”

“Create Model Advisor Checks”

ModelAdvisor.FormatTemplate

Template for formatting Model Advisor analysis results

Description

Use the `ModelAdvisor.FormatTemplate` class to format the result of a check in the analysis result pane of the Model Advisor for a uniform look and feel among the checks you create. You can format the analysis results as a table or a list.

Creation

Syntax

```
obj = ModelAdvisor.FormatTemplate(type)
```

Description

`obj = ModelAdvisor.FormatTemplate(type)` creates an object of the `ModelAdvisor.FormatTemplate` class. *type* is a character vector identifying the format type of the template, either list or table.

You must return the result object to the Model Advisor to display the formatted result in the analysis result pane.

Note Use the `ModelAdvisor.FormatTemplate` class in check callbacks.

Input Arguments

type — Template type

ListTemplate | TableTemplate

Type of `ModelAdvisor.FormatTemplate`.

Object Functions

<code>addRow</code>	Add row to table
<code>setCheckText</code>	Add description of check to result
<code>setColTitles</code>	Add column titles to table
<code>setInformation</code>	Add description of subcheck to result
<code>setListObj</code>	Add list of hyperlinks to model objects
<code>setRecAction</code>	Add Recommended Action section and text
<code>setRefLink</code>	Add See Also section and links
<code>setSubBar</code>	Add line between subcheck results
<code>setSubResultStatus</code>	Add status to the check or subcheck result
<code>setSubResultStatusText</code>	Add text below status in result
<code>setSubTitle</code>	Add title for subcheck in result

setTableInfo	Add data to table
setTableTitle	Add title to table in Model Advisor analysis results

Examples

Format Model Advisor Results

- 1 The following `sl_customization` file contains code that creates two template objects, `ft1` and `ft2`, and uses them to format the result of running a check in a table and a list. The result identifies the blocks in the model.

```
function sl_customization(cm)

% register custom checks
cm.addModelAdvisorCheckFcn(@defineModelAdvisorChecks);

% register custom factory group
cm.addModelAdvisorTaskFcn(@defineModelAdvisorTasks);

end

% -----
% defines Model Advisor Checks
% -----
function defineModelAdvisorChecks

% Define and register a sample check
rec = ModelAdvisor.Check('mathworks.example.SampleDetailStyle');
rec.Title = 'Sample check for Model Advisor using the ModelAdvisor.FormatTemplate';
setCallbackFcn(rec, @SampleDetailStyleCallback, 'None', 'DetailStyle');
rec.setReportStyle('ModelAdvisor.Report.DefaultStyle');

mdladvRoot = ModelAdvisor.Root;
mdladvRoot.register(rec);

end

% -----
% defines Model Advisor Tasks
% -----
function defineModelAdvisorTasks
mdladvRoot = ModelAdvisor.Root;

% --- sample factory group
rec = ModelAdvisor.FactoryGroup('com.mathworks.sample.factorygroup');
rec.DisplayName='My Group 1';
rec.Description='Demo Factory Group';
rec.addCheck('mathworks.example.SampleDetailStyle');
mdladvRoot.publish(rec); % publish inside By Group list

end

% -----
% Sample Check With Subchecks Callback Function
% -----
function [ResultDescription] = SampleDetailStyleCallback(system, CheckObj)

% Initialize variables
ElementResults = ModelAdvisor.ResultDetail.empty();

% Perform the check actions
allBlocks = find_system(system);
[ResultDescription] = getFormattedTemplate(allBlocks);
```

```

% Perform the subcheck actions - Result Details - Table
if length(allBlocks) == 1
    % Add result details for detailed style check
    ElementResults(end + 1) = ModelAdvisor.ResultDetail;
    ElementResults(end).IsViolation = true;
    ElementResults(end).Description = ['Find and report all blocks in a table. '...
        '(setInformation method - Description of what the subcheck reviews)'];
    ElementResults(end).Status = ['The model does not contain blocks. '...
        '(setSubResultStatusText method - Description of result status)'];
else
    for i=1:numel(allBlocks)
        ElementResults(end+1) = ModelAdvisor.ResultDetail;
        ElementResults(end).IsViolation = false;
        ElementResults(end).Format = 'Table';
        ModelAdvisor.ResultDetail.setData(ElementResults(end),'SID',allBlocks{i});
        ElementResults(end).Description = ['Find and report all blocks in a table. '...
            '(setInformation method - Description of what the subcheck reviews)'];
        ElementResults(end).Status = ['The model contains blocks. '...
            '(setSubResultStatusText method - Description of result status)'];
    end
end

% Perform the subcheck actions - Result Details - List
if length(allBlocks) == 1
    ElementResults(end+1) = ModelAdvisor.ResultDetail;
    ElementResults(end).IsViolation = true;
    ElementResults(end).Description = ['Find and report all blocks in a table. '...
        '(setInformation method - Description of what the subcheck reviews)'];
    ElementResults(end).Status = ['The model does not contain blocks. '...
        '(setSubResultStatusText method - Description of result status)'];
else
    for i= 1:numel(allBlocks)
        ElementResults(end+1) = ModelAdvisor.ResultDetail;
        ElementResults(end).IsViolation = false;
        ModelAdvisor.ResultDetail.setData(ElementResults(end),'SID',allBlocks{i});
        ElementResults(end).Description = ['Finds and reports all blocks in a list. '...
            '(setInformation method - Description of what the subcheck reviews)'];
        ElementResults(end).Status = ['The model contains blocks. '...
            '(setSubResultStatusText method - Description of result status)'];
    end
end

%Set check result details
CheckObj.setResultDetails(ElementResults);

end

function [ResultDescription] = getFormattedTemplate(allBlocks)
ResultDescription={};

% Create FormatTemplate object for first subcheck, specify table format
ft1 = ModelAdvisor.FormatTemplate('TableTemplate');

% Add information describing the overall check
setCheckText(ft1, ['Find and report all blocks in the model. '...
    '(setCheckText method - Description of what the check reviews)']);

% Add information describing the subcheck
setSubTitle(ft1, 'Table of Blocks (setSubTitle method - Title of the subcheck)');
setInformation(ft1, ['Find and report all blocks in a table. '...
    '(setInformation method - Description of what the subcheck reviews)']);

% Add See Also section for references to standards
setRefLink(ft1, {'Standard 1 reference (setRefLink method)',
    'Standard 2 reference (setRefLink method)'});

% Add information to the table
setTableTitle(ft1, {'Blocks in the Model (setTableTitle method)'});
setColTitles(ft1, {'Index (setColTitles method)',
    'Block Name (setColTitles method)'});

```



```

if length(allBlocks) == 1
    % Add status for subcheck
    setSubResultStatus(ft1, 'Warn');
    setSubResultStatusText(ft1, ['The model does not contain blocks. '...
        '(setSubResultStatusText method - Description of result status)']);
    setRecAction(ft1, {'Add blocks to the model. '...
        '(setRecAction method - Description of how to fix the problem)'});
else
    % Add status for subcheck
    setSubResultStatus(ft1, 'Pass');
    setSubResultStatusText(ft1, ['The model contains blocks. '...
        '(setSubResultStatusText method - Description of result status)']);
    for inx = 2 : length(allBlocks)
        % Add information to the table
        addRow(ft1, {inx-1,allBlocks(inx)});
    end
end

% Pass table template object for subcheck to Model Advisor
ResultDescription{end+1} = ft1;

% Create FormatTemplate object for second subcheck, specify list format
ft2 = ModelAdvisor.FormatTemplate('ListTemplate');

% Add information describing the subcheck
setSubTitle(ft2, 'List of Blocks (setSubTitle method - Title of the subcheck)');
setInformation(ft2, ['Find and report all blocks in a list. '...
    '(setInformation method - Description of what the subcheck reviews)']);

% Add See Also section for references to standards
setRefLink(ft2, {'Standard 1 reference (setRefLink method)'},
    {'Standard 2 reference (setRefLink method)'});

% Last subcheck, suppress line
setSubBar(ft2, false);

% Perform the subcheck actions
if length(allBlocks) == 1
    % Add status for subcheck
    setSubResultStatus(ft2, 'Warn');
    setSubResultStatusText(ft2, ['The model does not contain blocks. '...
        '(setSubResultStatusText method - Description of result status)']);
    setRecAction(ft2, {'Add blocks to the model. '...
        '(setRecAction method - Description of how to fix the problem)'});

else
    % Add status for subcheck
    setSubResultStatus(ft2, 'Pass');
    setSubResultStatusText(ft2, ['The model contains blocks. '...
        '(setSubResultStatusText method - Description of result status)']);
    % Add information to the list
    setListObj(ft2, allBlocks);
end

% Pass list template object for the subcheck to Model Advisor
ResultDescription{end+1} = ft2;

```

- 2 Save the `sl_customization` file to your working directory.
- 3 In the MATLAB command window, enter:


```
Advisor.Manager.refresh_customizations
```
- 4 Open a model.
- 5 In the **Modeling** tab, select **Model Advisor**.
- 6 In the **By Task > My Group 1** folder, select **Sample check for Model Advisor using ModelAdvisor.FormatTemplate**.
- 7 Click **Run This Check**.

The following graphic displays the output as it appears in the Model Advisor when the check passes.

Report

Result Details

Find and report all blocks in the model. (setCheckText method - Description of what the check reviews)

Table of Blocks (setSubTitle method - Title of the subcheck)
 Find and report all blocks in a table. (setInformation method - Description of what the subcheck reviews)

See Also

- Standard 1 reference (setRefLink method)
- Standard 2 reference (setRefLink method)

Passed

The model contains blocks. (setSubResultStatusText method - Description of result status)

Blocks in the Model (setTableTitle method)

Index (setColTitles method)	Block Name (setColTitles method)
1	vdp/Constant
2	vdp/More Info
3	vdp/More Info/Model Info
4	vdp/Mu
5	vdp/Mux
6	vdp/Product
7	vdp/Scope
8	vdp/Square
9	vdp/Sum
10	vdp/Sum1
11	vdp/x1
12	vdp/x2
13	vdp/Out1
14	vdp/Out2

The following graphic displays the output as it appears in the Model Advisor when the check warns.

Report**Result Details**

Find and report all blocks in the model. (setCheckText method - Description of what the check reviews)

Table of Blocks (setSubTitle method - Title of the subcheck)

Find and report all blocks in a table. (setInformation method - Description of what the subcheck reviews)

See Also

- Standard 1 reference (setRefLink method)
- Standard 2 reference (setRefLink method)

Warning

The model does not contain blocks. (setSubResultStatusText method - Description of result status)

Recommended Action

Add blocks to the model.

(setRecAction method - Description of how to fix the problem)

List of Blocks (setSubTitle method - Title of the subcheck)

Find and report all blocks in a list. (setInformation method - Description of what the subcheck reviews)

See Also

- Standard 1 reference (setRefLink method)
- Standard 2 reference (setRefLink method)

Warning

The model does not contain blocks. (setSubResultStatusText method - Description of result status)

Recommended Action

Add blocks to the model.

(setRecAction method - Description of how to fix the problem)

Alternatives

When you define a `ModelAdvisor.Check` object, for the `CallbackStyle` property, if you specify `DetailStyle`, you do not have to use the `ModelAdvisor.FormatTemplate` API or the other formatting APIs to the format results that appear in the Model Advisor report. `DetailStyle` also allows you to view results by block, subsystem, or recommended action.

If the default formatting does not meet your needs, use the `ModelAdvisor.FormatTemplate` API or the other formatting APIs. The `ModelAdvisor.FormatTemplate` class provides a uniform look and feel among the checks you create.

See Also

“Customize the Configuration of the Model Advisor Overview”

Topics

“Create Model Advisor Checks”

Introduced in R2009a

ModelAdvisor.Group class

Package: ModelAdvisor

Define custom folder

Description

The ModelAdvisor.Group class defines a folder that is displayed in the Model Advisor tree. Use folders to consolidate checks by functionality or usage.

Construction

ModelAdvisor.Group	Define custom folder
--------------------	----------------------

Methods

addGroup	Add subfolder to folder
addProcedure	Add procedure to folder
addTask	Add task to folder

Properties

Description	Description of folder
DisplayName	Name of folder
ID	Identifier for folder
MAObj	Model Advisor object

Copy Semantics

Handle. To learn how this affects your use of the class, see Copying Objects in the MATLAB Programming Fundamentals documentation.

See Also

“Customize the Configuration of the Model Advisor Overview”

Topics

“Create Model Advisor Checks”

ModelAdvisor.Group

Class: ModelAdvisor.Group

Package: ModelAdvisor

Define custom folder

Syntax

```
group_obj = ModelAdvisor.Group(group_ID)
```

Description

`group_obj = ModelAdvisor.Group(group_ID)` creates a handle to a group object, `group_obj`, and assigns it a unique identifier, `group_ID`. `group_ID` must remain constant.

Examples

```
MAG = ModelAdvisor.Group('com.mathworks.sample.GroupSample');
```

See Also

Topics

[“Customize the Configuration of the Model Advisor Overview”](#)

[“Programmatically Customize Tasks and Folders for the Model Advisor”](#)

[“Create Model Advisor Checks”](#)

ModelAdvisor.Image class

Package: ModelAdvisor

Include image in Model Advisor output

Description

The `ModelAdvisor.Image` class adds an image to the Model Advisor output.

Construction

<code>ModelAdvisor.Image</code>	Include image in Model Advisor output
---------------------------------	---------------------------------------

Methods

<code>setHyperlink</code>	Specify hyperlink location
<code>setImageSource</code>	Specify image location

Copy Semantics

Handle. To learn how this affects your use of the class, see Copying Objects in the MATLAB Programming Fundamentals documentation.

See Also

“Customize the Configuration of the Model Advisor Overview”

Topics

“Create Model Advisor Checks”

ModelAdvisor.Image

Class: ModelAdvisor.Image

Package: ModelAdvisor

Include image in Model Advisor output

Syntax

```
object = ModelAdvisor.Image
```

Description

`object = ModelAdvisor.Image` creates a handle to an image object, `object`, that the Model Advisor displays in the output. The Model Advisor supports many image formats, including, but not limited to, JPEG, BMP, and GIF.

Examples

```
image_obj = ModelAdvisor.Image;
```

See Also

“Customize the Configuration of the Model Advisor Overview”

Topics

“Create Model Advisor Checks”

ModelAdvisor.InputParameter class

Package: ModelAdvisor

Add input parameters to custom checks

Description

Instances of the ModelAdvisor.InputParameter class specify the input parameters a custom check uses in analyzing the model. Access input parameters in the Model Advisor window.

Construction

ModelAdvisor.InputParameter	Add input parameters to custom checks
-----------------------------	---------------------------------------

Methods

setColSpan	Specify number of columns for input parameter
setRowSpan	Specify rows for input parameter

Properties

Description	Description of input parameter
Entries	Drop-down list entries
Name	Input parameter name
Type	Input parameter type
Value	Value of input parameter

Copy Semantics

Handle. To learn how this affects your use of the class, see Copying Objects in the MATLAB Programming Fundamentals documentation.

See Also

“Customize the Configuration of the Model Advisor Overview”

Topics

“Create Model Advisor Checks”

ModelAdvisor.InputParameter

Class: ModelAdvisor.InputParameter

Package: ModelAdvisor

Add input parameters to custom checks

Syntax

```
input_param = ModelAdvisor.InputParameter
```

Description

`input_param = ModelAdvisor.InputParameter` creates a handle to an input parameter object, `input_param`.

Note You must include input parameter definitions in a check definition.

Examples

The following example is a fragment of code from a check definition function. The example does not execute as shown without the full check definition function.

```
rec = ModelAdvisor.Check('com.mathworks.sample.Check1');
rec.setInputParametersLayoutGrid([3 2]);
% define input parameters
inputParam1 = ModelAdvisor.InputParameter;
inputParam1.Name = 'Skip font checks.';
inputParam1.Type = 'Bool';
inputParam1.Value = false;
inputParam1.Description = 'sample tooltip';
inputParam1.setRowSpan([1 1]);
inputParam1.setColSpan([1 1]);
inputParam2 = ModelAdvisor.InputParameter;
inputParam2.Name = 'Standard font size';
inputParam2.Value='12';
inputParam2.Type='String';
inputParam2.Description='sample tooltip';
inputParam2.setRowSpan([2 2]);
inputParam2.setColSpan([1 1]);
inputParam3 = ModelAdvisor.InputParameter;
inputParam3.Name='Valid font';
inputParam3.Type='Combobox';
inputParam3.Description='sample tooltip';
inputParam3.Entries={'Arial', 'Arial Black'};
inputParam3.setRowSpan([2 2]);
inputParam3.setColSpan([2 2]);
rec.setInputParameters({inputParam1,inputParam2,inputParam3});
```

See Also

“Customize the Configuration of the Model Advisor Overview”

Topics

“Create Model Advisor Checks”

ModelAdvisor.LineBreak

Insert line break

Description

Use instances of the `ModelAdvisor.LineBreak` class to insert line breaks in the Model Advisor outputs.

Examples

Insert Line Break

Add a line break between two lines of text:

```
result = ModelAdvisor.Paragraph;  
addItem(result, [resultText1 ModelAdvisor.LineBreak resultText2]);
```

See Also

[“Customize the Configuration of the Model Advisor Overview”](#)

Topics

[“Create Model Advisor Checks”](#)

Introduced in R2006b

ModelAdvisor.List

Create list class

Description

Use instances of the `ModelAdvisor.List` class to create list-formatted outputs.

Creation

Syntax

```
list = ModelAdvisor.List
```

Description

`list = ModelAdvisor.List` creates a list object, `list`.

Object Functions

`addItem` Add item to list
`setType` Specify list type

Example

Create Numbered and Bulleted Lists

You can create two types of lists: numbered and bulleted. The default list formatting is bulleted. Use the `ModelAdvisor.List` class to create and format lists. You can create lists with indented subsections, formatted as either numbered or bulleted.

```
subList = ModelAdvisor.List();
subList.setType('numbered');
subList.addItem(ModelAdvisor.Text('Sub entry 1', {'pass','bold'}));
subList.addItem(ModelAdvisor.Text('Sub entry 2', {'pass','bold'}));

topList = ModelAdvisor.List();
topList.addItem([ModelAdvisor.Text('Entry level 1',{'keyword','bold'}), subList]);
topList.addItem([ModelAdvisor.Text('Entry level 2',{'keyword','bold'}), subList]);
```

See Also

“Customize the Configuration of the Model Advisor Overview”

Topics

“Create Model Advisor Checks”

Introduced in R2006b

ModelAdvisor.ListViewParameter class

Package: ModelAdvisor

(To be removed) Add list view parameters to custom checks

Note ModelAdvisor.ListViewParameter will be removed.

Use hyperlinks in the Model Advisor results to view and modify model elements that are being flagged by the Model Advisor check instead. For more information on the recommended workflow for authoring custom checks, see “Fix a Model to Comply with Conditions that You Specify with the Model Advisor” and “Create and Deploy a Model Advisor Custom Configuration”.

Description

The Model Advisor uses list view parameters to populate the Model Advisor Result Explorer. Access the information in list views by clicking **Explore Result** in the Model Advisor window.

Construction

ModelAdvisor.ListViewParameter	Add list view parameters to custom checks
--------------------------------	---

Properties

Attributes	Attributes to display in Model Advisor Report Explorer
Data	Objects in Model Advisor Result Explorer
Name	Drop-down list entry

Examples

The following example is a fragment of code from a check definition function. The example does not execute as shown without the full check definition function.

```
mdladvObj = Simulink.ModelAdvisor.getModelAdvisor(system);
mdladvObj.setCheckResultStatus(true);

% define list view parameters
myLVParam = ModelAdvisor.ListViewParameter;
myLVParam.Name = 'Invalid font blocks'; % the name appeared at pull down filter
myLVParam.Data = get_param(searchResult,'object');
myLVParam.Attributes = {'FontName'}; % name is default property
mdladvObj.setListViewParameters({myLVParam});
```

Compatibility Considerations

ModelAdvisor.ListViewParameter will be removed.

Not recommended starting in R2021b

Use hyperlinks in the Model Advisor results to view and modify model elements that are being flagged by the Model Advisor check. For more information on the recommended workflow for authoring custom checks, see “Fix a Model to Comply with Conditions that You Specify with the Model Advisor” and “Create and Deploy a Model Advisor Custom Configuration”.

See Also

“Customize the Configuration of the Model Advisor Overview”

Topics

“Create Model Advisor Checks”

ModelAdvisor.ListViewParameter

Class: ModelAdvisor.ListViewParameter

Package: ModelAdvisor

Add list view parameters to custom checks

Syntax

```
lv_param = ModelAdvisor.ListViewParameter
```

Description

lv_param = ModelAdvisor.ListViewParameter defines a list view, lv_param.

Note Include list view parameter definitions in a check definition.

See Also

“Customize the Configuration of the Model Advisor Overview”

Topics

“Create Model Advisor Checks”

“Customize the Configuration of the Model Advisor Overview”

getListViewParameters

setListViewParameters

ModelAdvisor.lookupCheckID

Package: ModelAdvisor

Look up Model Advisor check ID

Syntax

```
NewID = ModelAdvisor.lookupCheckID('OldCheckID')
```

Description

`NewID = ModelAdvisor.lookupCheckID('OldCheckID')` returns the check ID of the check specified by `OldCheckID`.

Input Arguments

OldCheckID

`OldCheckID` is the prior ID of a check.

Output Arguments

NewID

Check ID that corresponds to the previous check ID identified by `OldCheckID`.

Examples

The check ID for Check for root Outports with missing range definitions prior to Release 2018b was `mathworks.iec61508.OutportRange`. Use the `ModelAdvisor.lookupCheckID` function to return the current check ID.

```
>> NewID = ModelAdvisor.lookupCheckID('mathworks.iec61508.OutportRange')
```

```
NewID =  
'mathworks.hism.hisl_0026'
```

Alternatives

["Archive and View Results"](#)

See Also

`ModelAdvisor.run`

Topics

["Archive and View Results"](#)

Introduced in R2010b

ModelAdvisor.Paragraph class

Package: ModelAdvisor

Create and format paragraph

Description

The ModelAdvisor.Paragraph class creates and formats a paragraph object.

Construction

ModelAdvisor.Paragraph	Create and format paragraph
------------------------	-----------------------------

Methods

addItem	Add item to paragraph
setAlign	Specify paragraph alignment

Copy Semantics

Handle. To learn how this affects your use of the class, see Copying Objects in the MATLAB Programming Fundamentals documentation.

Examples

```
% Check Simulation optimization setting
ResultDescription = ModelAdvisor.Paragraph(['Check Simulation '...
'optimization settings:']);
```

See Also

“Customize the Configuration of the Model Advisor Overview”

Topics

“Create Model Advisor Checks”

ModelAdvisor.Paragraph

Class: ModelAdvisor.Paragraph

Package: ModelAdvisor

Create and format paragraph

Syntax

```
para_obj = ModelAdvisor.Paragraph
```

Description

`para_obj = ModelAdvisor.Paragraph` defines a paragraph object `para_obj`.

Example

To change default formatting, use the `ModelAdvisor.Paragraph` class. The default paragraph formatting is:

- Empty
- Default color (black)
- Unformatted, (not bold, italicized, underlined, linked, subscripted, or superscripted)
- Aligned left

```
% Check Simulation optimization setting
ResultDescription = ModelAdvisor.Paragraph(['Check Simulation '...
'optimization settings:']);
```

You must handle paragraphs explicitly because most markup languages do not support line breaks.

See Also

“Customize the Configuration of the Model Advisor Overview”

Topics

“Create Model Advisor Checks”

ModelAdvisor.Procedure class

Package: ModelAdvisor

Define custom procedures

Description

The ModelAdvisor.Procedure class defines a procedure that is displayed in the Model Advisor tree. Use procedures to organize additional procedures or checks by functionality or usage.

Construction

ModelAdvisor.Procedure

Define custom procedures

Properties

Description

Provides information about the procedure. Details about the procedure are displayed in the right pane of the Model Advisor.

Default: '' (empty character vector)

Name

Specifies the name of the procedure that is displayed in the Model Advisor.

Default: '' (empty character vector)

ID

Specifies a permanent, unique identifier for the procedure.

Note

- You must specify this field.
 - The value of ID must remain constant.
 - The Model Advisor generates an error if ID is not unique.
 - Procedure definitions must refer to other procedures by ID.
-

MAObj

Specifies a handle to the current Model Advisor object.

Methods

addProcedure	Add subprocedure to procedure
addTask	Add task to procedure

Copy Semantics

Handle. To learn how this affects your use of the class, see Copying Objects in the MATLAB Programming Fundamentals documentation.

See Also

Topics

“Programmatically Create Procedural-Based Configurations”
“Customize the Configuration of the Model Advisor Overview”

ModelAdvisor.Procedure

Class: ModelAdvisor.Procedure

Package: ModelAdvisor

Define custom procedures

Syntax

```
procedure_obj = ModelAdvisor.Procedure(procedure_ID)
```

Description

`procedure_obj = ModelAdvisor.Procedure(procedure_ID)` creates a handle to a procedure object, `procedure_obj`, and assigns it a unique identifier, `procedure_ID`. `procedure_ID` must remain constant.

Examples

```
MAP = ModelAdvisor.Procedure('com.mathworks.sample.ProcedureSample');
```

See Also

Topics

[“Customize the Configuration of the Model Advisor Overview”](#)

[“Programmatically Create Procedural-Based Configurations”](#)

ModelAdvisor.Root

Identify root node

Description

The `ModelAdvisor.Root` class returns the root object.

Creation

Syntax

```
root_obj = ModelAdvisor.Root
```

Description

`root_obj = ModelAdvisor.Root` creates a handle to the root object, `root_obj`.

Object Functions

`publish` Publish object in Model Advisor root
`register` Register object in Model Advisor root

See Also

Topics

“Customize the Configuration of the Model Advisor Overview”
“Create Model Advisor Checks”

Introduced in R2008a

ModelAdvisor.run

Use Model Advisor to run checks on systems

Syntax

```
ModelAdvisor.run(Systems,CheckIDList)
```

```
ModelAdvisor.run(Systems,'Configuration',FileName)
```

```
ModelAdvisor.run(Systems,{{CheckID,'InputParam',{paramName,paramValue}}})
```

```
ModelAdvisor.run(Systems,{{CheckID1,'InputParam',  
{paramName1,paramValue1,...,paramNameN,paramValueN}},...,  
{CheckIDN,'InputParam',{paramName1,paramValue1,...,paramNameN,paramValueN}}})
```

```
Results = ModelAdvisor.run(___,Name,Value)
```

Description

`ModelAdvisor.run(Systems,CheckIDList)` runs the Model Advisor on the models or subsystems specified by `Systems` for the list of check IDs specified by `CheckIDList`.

Note While passing checklist to `ModelAdvisor.Run()`, same checks are not expected, and duplicate check IDs are not allowed. If you want to run a same check for different input parameters, it can be achieved using either of the following steps:

- Call `ModelAdvisor.run()` separately on both the check IDs.

```
run(model_list, {check1}, {inputParam1})
```

```
run(model_list,{check1}, {inputParam2})
```

- Use a configuration with different tasks that have the same check but with different input parameters.

```
run(model_list, configuration, 'path/name.json')
```

`ModelAdvisor.run(Systems,'Configuration',FileName)` runs the Model Advisor for the list of checks specified by the Model Advisor configuration file `FileName`.

`ModelAdvisor.run(Systems,{{CheckID,'InputParam',{paramName,paramValue}}})` runs the Model Advisor for the check ID specified by `CheckID` with the input parameter setting specified by the input parameter name `paramName` and the input parameter value `paramValue`.

`ModelAdvisor.run(Systems,{{CheckID1,'InputParam',
{paramName1,paramValue1,...,paramNameN,paramValueN}},...,
{CheckIDN,'InputParam',{paramName1,paramValue1,...,paramNameN,paramValueN}}})` runs the Model Advisor for one or more check IDs with the input parameter settings specified using `'InputParam'`.

The check IDs are specified by `CheckID1` through `CheckIDN`. For each check ID, you can specify the input parameters for the check by using `'InputParam'` with the parameter names, `paramName1` through `paramNameN`, and parameter values, `paramValue1` through `paramValueN`.

For example, the following code runs the Model Advisor checks:

- 'mathworks.jmaab.jc_0281' with the input parameter 'Follow links' set to 'off' and the 'jc_0281_a' sub-checks disabled
- 'mathworks.jmaab.db_0032' with the input parameter 'Follow links' set to 'off' and the input parameter 'Look under masks' set to 'all'

```
Results = ModelAdvisor.run('vdp',...
{{'mathworks.jmaab.jc_0281','InputParam',{'Follow links','off','jc_0281_a',0}},...
{'mathworks.jmaab.db_0032','InputParam',{'Follow links','off','Look under masks','all'}}})
```

`Results = ModelAdvisor.run(____,Name,Value)` specifies the properties of the Model Advisor analysis using one or more `Name,Value` pair arguments and returns the results in `Results`. Use `Results` to view the properties of the Model Advisor run. Use this option with one of the previous syntaxes.

Examples

Use the Model Advisor to Run a List of Checks

Create a list of check IDs and use `ModelAdvisor.run` to run the checks on the specified subsystems.

Create a list of the check IDs for the checks “Check model diagnostic parameters” on page 2-130 and “Check for unconnected objects” on page 2-103.

```
checkIDs = {'mathworks.maab.jc_0021',...
'mathworks.iec61508.UnconnectedObjects'};
```

Open the example model `sldemo_auto_climatecontrol`.

```
openExample('sldemo_auto_climatecontrol')
```

Create a list of the subsystems `sldemo_auto_climatecontrol/Heater Control` and `sldemo_auto_climatecontrol/AC Control`.

```
systems = {'sldemo_auto_climatecontrol/Heater Control',...
'sldemo_auto_climatecontrol/AC Control'};
```

Use Model Advisor to run the checks on the subsystems.

```
results = ModelAdvisor.run(systems,checkIDs);
```

For more information on Model Advisor checks, see “Model Advisor Checks Documentation”. For details on how to find check IDs, see “Find Model Advisor Check IDs”.

Use the Model Advisor to Run Sub-Checks

Create a list of checks that specify the input parameter values, then use the Model Advisor to run the checks.

Open the model `vdp`.

```
open_system('vdp')
```

Create a list of the input parameters used by the checks “Check signal line connections” on page 2-143 and “Check trigger signal names” on page 2-150.

To find the input parameters for the checks, create a Model Advisor object for the model and use `getInputParameters`. The check ID for the check “Check signal line connections” on page 2-143 is `'mathworks.jmaab.db_0032'` and the check ID for the check “Check trigger signal names” on page 2-150 is `'mathworks.jmaab.jc_0281'`.

```
ma = Simulink.ModelAdvisor.getModelAdvisor('vdp');
```

```
db_0032_parameters = getInputParameters(ma, 'mathworks.jmaab.db_0032');
jc_0281_parameters = getInputParameters(ma, 'mathworks.jmaab.jc_0281');
```

For the check `'mathworks.jmaab.db_0032'`, `db_0032_parameters{6}` contains the `InputParameter` properties for the input parameter **Follow links**. Save the input parameter name to the variable `followLinks`.

```
followLinks = db_0032_parameters{6}.Name;
```

For `'mathworks.jmaab.db_0032'`, set the input parameter **Follow links** to `'off'`. When **Follow links** is `'off'`, the Model Advisor does not analyze the content of library-linked blocks.

```
check1 = {'mathworks.jmaab.db_0032',...
'InputParam',{followLinks,'off'}};
```

For the check `'mathworks.jmaab.jc_0281'`, `jc_0281_parameters{1}` contains the `InputParameter` properties for the input parameter **jc_0281_a** and `jc_0281_parameters{2}` contains the `InputParameter` properties for the input parameter **jc_0281_b**. **jc_0281_a** and **jc_0281_b** contain sub-checks for `'mathworks.jmaab.jc_0281'`. Save the input parameter names to the variables `subCheckA` and `subCheckB`.

```
subCheckA = jc_0281_parameters{1}.Name;
subCheckB = jc_0281_parameters{2}.Name;
```

Select the sub-check `'jc_0281_a2'` and disable the `'jc_0281_b'` sub-checks. The input parameter value 2 selects the second sub-check of `'jc_0281_a'`. The input parameter value 0 disables `'jc_0281_b'` sub-checks. For more information on `'mathworks.jmaab.jc_0281'` and its sub-checks, see “Check trigger signal names” on page 2-150.

```
check2 = {'mathworks.jmaab.jc_0281',...
'InputParam',{subCheckA, 2, subCheckB, 0}};
```

Create the list of checks.

```
listOfChecks = {check1, check2};
```

Use Model Advisor to run the specified checks on the system `vdp`.

```
results = ModelAdvisor.run('vdp', listOfChecks)
```

For more information on Model Advisor checks and sub-checks, see “Model Advisor Checks Documentation”. For details on how to find check IDs, see “Find Model Advisor Check IDs”.

Use the Model Advisor to Run a List of Checks Specified by a Configuration File

Run the Model Advisor on a list of checks specified by a Model Advisor configuration file.

Open the example model `sldemo_auto_climatecontrol`.

```
openExample('sldemo_auto_climatecontrol')
```

Copy the example script `prepare_cust_chk_code.m` to the current folder and run the script. The script copies files for this example to the current folder.

```
copyfile(fullfile(matlabroot,'examples','slcheck','main',...
    'prepare_cust_chk_code.m'),'prepare_cust_chk_code.m','f');
run('prepare_cust_chk_code.m');
```

Refresh the Model Advisor check information cache to include the files for this example.

```
Advisor.Manager.refresh_customizations()
```

Use the example configuration file `demoConfiguration.json` to specify which checks to include in the Model Advisor analysis. Save the file name `demoConfiguration.json` to the variable `fileName`.

```
fileName = 'demoConfiguration.json';
```

Create a list of the subsystems `sldemo_auto_climatecontrol/Heater Control` and `sldemo_auto_climatecontrol/AC Control`.

```
systems = {'sldemo_auto_climatecontrol/Heater Control',...
    'sldemo_auto_climatecontrol/AC Control'};
```

Use the Model Advisor to run the checks specified by the configuration file `demoConfiguration.json` on the subsystems specified by `systems`.

```
results = ModelAdvisor.run(systems,'Configuration',fileName);
```

For information on Model Advisor checks and sub-checks, use the links to the product-specific check documentation in “Model Advisor Checks Documentation”. For details on how to find check IDs, see “Find Model Advisor Check IDs”.

Use the Model Advisor to Generate a Report

Use the Model Advisor to run the checks and generate a report.

Open the model `vdp`.

```
open_system('vdp')
```

Create a list of check IDs. The check ID for the check “Check signal line connections” on page 2-143 is `'mathworks.jmaab.db_0032'` and the check ID for the check “Check trigger signal names” on page 2-150 is `'mathworks.jmaab.jc_0281'`.

```
checkIDs = {'mathworks.jmaab.db_0032','mathworks.jmaab.jc_0281'}
```

Use Model Advisor to run the checks on the model. Use the name-value arguments 'ReportFormat', 'ReportPath', and 'ReportName' to generate a Model Advisor Report in the current folder, pwd, and in the format of a Microsoft® Word document.

```
ModelAdvisor.run('vdp', checkIDs, ...  
'ReportFormat', 'docx', 'ReportPath', pwd, 'ReportName', 'myReport')
```

For more information on Model Advisor checks and sub-checks, see “Model Advisor Checks Documentation”. For details on how to find check IDs, see “Find Model Advisor Check IDs”.

Input Arguments

Systems — List of models or subsystems

cell array of model names | cell array of subsystem names

List of models or subsystems, specified as a cell array of model names or subsystem names.

Example: {'vdp', 'sldemo_2counters'}

Example: {'sldemo_auto_climatecontrol/Heater Control', 'sldemo_auto_climatecontrol/AC Control'}

CheckIDList — List of check IDs

character vector | cell array of character vectors

Unique identifiers for the Model Advisor checks, specified as a character vector, or cell array of character vectors.

For information on how to find check IDs, see “Find Model Advisor Check IDs”.

Example: 'mathworks.jmaab.jc_0281'

Example: {'mathworks.maab.jc_0021', 'mathworks.misra.BlockNames'}

CheckID — Check ID

character vector

Unique identifier for the Model Advisor check, specified as a character vector.

For information on how to find check IDs, see “Find Model Advisor Check IDs”.

Example: 'mathworks.jmaab.jc_0281'

paramName — Name of Input Parameter for Model Advisor Check

character vector

The name of an input parameter, specified as a character vector.

You can view the input parameter names for a Model Advisor check by using `getInputParameters` on a `Simulink.ModelAdvisor` object. The input parameter name, `Name`, is a property of the `ModelAdvisor.InputParameter` object. For more information, see “Use the Model Advisor to Run Sub-Checks” on page 1-213.

The input parameters for a check can also be viewed in the Model Advisor Configuration Editor. Input parameter values can be saved to your custom Model Advisor configuration file. For more information, see “Use the Model Advisor Configuration Editor to Customize the Model Advisor”.

For more information on Model Advisor checks, sub-checks and input parameters, use the links to product-specific check documentation in “Model Advisor Checks Documentation”.

Example: 'Follow links'

Example: 'jc_0281_a'

paramValue — Value of Input Parameter for Model Advisor Check

character vector | integer

The value of an input parameter, specified as a character vector or integer.

You can view the input parameter values for a Model Advisor check by using `getInputParameters` on a `Simulink.ModelAdvisor` object. The current input parameter value, `Value`, is a property of the `ModelAdvisor.InputParameter` object. For more information, see “Use the Model Advisor to Run Sub-Checks” on page 1-213.

The input parameters for a check can also be viewed in the Model Advisor Configuration Editor. Input parameter values can be saved to your custom Model Advisor configuration file. For more information, see “Use the Model Advisor Configuration Editor to Customize the Model Advisor”.

For more information on Model Advisor checks, sub-checks and input parameters, use the links to product-specific check documentation in “Model Advisor Checks Documentation”.

Example: 'off'

Example: 4

FileName — Name of Model Advisor configuration file

character vector

Name of the Model Advisor configuration file, specified as a character vector. For details on creating a configuration file, see “Use the Model Advisor Configuration Editor to Customize the Model Advisor”.

Example: 'demoConfiguration.json'

Name-Value Pair Arguments

Specify optional pairs of arguments as `Name1=Value1, ..., NameN=ValueN`, where `Name` is the argument name and `Value` is the corresponding value. Name-value arguments must appear after other arguments, but the order of the pairs does not matter.

Before R2021a, use commas to separate each name and value, and enclose Name in quotes.

Example: 'ExtensiveAnalysis','Off'

DisplayResults — Result display setting

'Summary' (default) | 'Details' | 'None'

Report display setting for the Model Advisor, specified as 'Summary', 'Details', or 'None'. Setting `DisplayResults` to 'Summary' displays a summary of the system results in the Command Window. Setting `DisplayResults` to 'Details' displays:

- Which system the Model Advisor is checking while the run is in progress
- The pass and fail results of each check for each system

- A summary of the system results


Setting `DisplayResults` to 'None' displays no information in the Command Window.

Example: 'Details'

ExtensiveAnalysis — Extensive analysis setting

'On' (default) | 'Off'

Extensive analysis setting for the Model Advisor, specified as 'On' or 'Off'. Setting 'ExtensiveAnalysis' to 'On' runs each of the checks in your Model Advisor configuration, including checks that trigger extensive analysis. Setting 'ExtensiveAnalysis' to 'Off' runs only checks that do not trigger extensive analysis.

Checks that trigger extensive analysis of the model use additional analysis techniques, such as analysis with Simulink Design Verifier™. The checks that trigger extensive analysis have the icon  in front of the check name in the Model Advisor.

To use the 'ExtensiveAnalysis' name-value argument, you must specify a check configuration file name with the 'Configuration' argument.

Example: 'Off'

Force — Force delete setting

'Off' (default) | 'On'

Force delete setting for the Model Advisor, specified as 'Off' or 'On'. Setting Force to 'On' removes existing `modeladvisor/system` folders. Setting Force to 'Off' prompts you before removing existing `modeladvisor/system` folders.

Example: 'On'

ParallelMode — Parallel execution setting

'Off' (default) | 'On'

Parallel execution setting for the Model Advisor, specified as 'Off' or 'On'. Setting `ParallelMode` to 'On' runs the Model Advisor in parallel mode if you have a Parallel Computing Toolbox license and a multicore machine. Parallel Computing Toolbox does not support 32-bit Windows® machines. Each parallel process runs checks on one model at a time. In parallel mode, load the model data from the model workspace or data dictionary. In parallel mode, the Model Advisor does not support model data in the base workspace. For an example, see “Create a Function to Check Multiple Systems”.

Example: 'On'

TempDir — Temporary working folder setting

'Off' (default) | 'On'

Temporary working folder setting for the Model Advisor, specified as 'Off' or 'On'. Setting `TempDir` to 'On' runs the Model Advisor from a temporary working folder to avoid concurrency issues when running using a parallel pool. For more information, see “Resolving Data Concurrency Issues”. Setting `TempDir` to 'Off' runs the Model Advisor in the current working folder.

Example: 'On'

ShowExclusions — Report exclusion display setting

'On' (default) | 'Off'

Exclusion display setting for the report, specified as 'On' or 'Off'. Setting ShowExclusions to 'On' lists Model Advisor check exclusions in the report. Setting ShowExclusions to 'Off' does not list Model Advisor check exclusion in the report.

Example: 'Off'

ReportFormat — Format of generated report

'html' (default) | 'pdf' | 'word'

Format of the generated report, specified as HTML format, PDF format, or Microsoft Word document format.

Note Model Advisor displays an error if unsupported formats are selected. For the Windows operating system, the supported formats are 'pdf', 'html', and 'word'. For UNIX® like operating systems, the only supported format is 'html'.

Example: 'word'

ReportPath — Path to report file folder

'slprj/modeladvisor/*modelName*' (default) | character vector

Folder for the generated report, specified as a character vector. By default, 'ReportPath' is the 'slprj/modeladvisor/*modelName*' folder in the current working directory.

Example: 'C:\MyProject\MyReports'

ReportName — Prefix to Model Advisor report name

'report' (default) | character vector

Prefix for the Model Advisor report file name, specified as a character vector. An underscore and the model name, '*_modelName*', are appended to the report file name. For example, if you run the Model Advisor on the model vdp with the ReportName 'MyReport', the Model Advisor report has the file name 'MyReport_vdp'.

Example: 'MyReport'

Output Arguments

Results — Model Advisor check results

cell array of ModelAdvisor.SystemResult objects

Model Advisor check results, specified as a cell array of ModelAdvisor.SystemResult objects. The function returns one object for each model or subsystem specified by the input argument Systems.

Each ModelAdvisor.SystemResult object contains a CheckResultObjs property that contains an array of ModelAdvisor.CheckResult objects, one for each check run by ModelAdvisor.run.

To review the results without having to rerun the Model Advisor, save the results. For more information, see “Save and Load Process for Objects”.

Tips

- If you have a Parallel Computing Toolbox™ license and a multicore machine, Model Advisor can run on multiple systems in parallel. You can run the Model Advisor in parallel mode by using

`ModelAdvisor.run` with `'ParallelMode'` set to `'On'`. By default, `'ParallelMode'` is set to `'Off'`. When you use `ModelAdvisor.run` with `'ParallelMode'` set to `'On'`, MATLAB automatically creates a parallel pool.

Alternatives

- Use the Model Advisor user interface to run each system. In the user interface, you can run only one system at a time.
- Create a script or function by using a `Simulink.ModelAdvisor` object to run each system, one at a time.

Extended Capabilities

Automatic Parallel Support

Accelerate code by automatically running computation in parallel using Parallel Computing Toolbox™.

To run in parallel, set `'ParallelMode'` to `'On'`.

See Also

`ModelAdvisor.lookupCheckID` | `getReportFileName` | `ModelAdvisor.summaryReport` | `view` | `viewReport`

Topics

“Create a Function to Check Multiple Systems”

“Create and Deploy a Model Advisor Custom Configuration”

“Find Model Advisor Check IDs”

“Model Advisor Checks Documentation”

“Use the Model Advisor Configuration Editor to Customize the Model Advisor”

ModelAdvisor.summaryReport

Package: ModelAdvisor

Open Model Advisor Command-Line Summary report

Syntax

```
ModelAdvisor.summaryReport(Results)
```

Description

`ModelAdvisor.summaryReport(Results)` opens the Model Advisor Command-Line Summary report in a web browser. `Results` is a cell array of `ModelAdvisor.SystemResult` objects returned by `ModelAdvisor.run`.

Input Arguments

Results

Cell array of `ModelAdvisor.SystemResult` objects returned by `ModelAdvisor.run`.

Examples

Open a Model Advisor Command-Line Summary Report

Run a check on a model and use the Command-Line Summary report to view the results.

Use Model Advisor to run the check **Check optimization settings** on the model `vdp`.

```
results = ModelAdvisor.run({'vdp'},...  
    {'mathworks.design.OptimizationSettings'});
```

Open the Model Advisor Command-Line Summary report to review the results.

```
ModelAdvisor.summaryReport(results)
```

For more information on Model Advisor checks, see “Model Advisor Checks Documentation”. For details on how to find check IDs, see “Find Model Advisor Check IDs”.

Alternatives

“View Results in Model Advisor Command-Line Summary Report”

See Also

`ModelAdvisor.lookupCheckID` | `ModelAdvisor.run` | `getReportFileName` | `view` | `viewReport`

Topics

- "Checking Systems Programmatically"
- "Create a Function to Check Multiple Systems"
- "Automate Model Advisor Check Execution"
- "Archive and View Model Advisor Run Results"
- "Model Advisor Checks Documentation"
- "Find Model Advisor Check IDs"

Introduced in R2010b

ModelAdvisor.Table

Create table for Model Advisor results

Description

ModelAdvisor.Table objects create and format tables in the Model Advisor results. Specify the number of rows and columns in a table, excluding the table title and table heading row.

Creation

Syntax

```
table = ModelAdvisor.Table(row,column)
```

Description

table = ModelAdvisor.Table(row,column) creates a table object containing the number of rows and columns that you specify.

Input Arguments

row — Number of rows

positive integer

Number of rows to create in the Model Advisor results table

column — Number of columns

positive integer

Number of columns to create in the Model Advisor results table

Object Functions

getEntry	Get table cell contents
setColHeading	Specify table column title
setColHeadingAlign	Specify column title alignment
setColHeadingValign	Specify column title vertical alignment
setColWidth	Specify column widths
setEntries	Set contents of table
setEntry	Add cell to table
setEntryAlign	Specify table cell alignment
setEntryValign	Specify table cell vertical alignment
setHeading	Specify table title
setHeadingAlign	Specify table title alignment
setRowHeading	Specify table row title
setRowHeadingAlign	Specify table row title alignment
setRowHeadingValign	Specify table row title vertical alignment

Examples

Create Table with Five Rows and Five Columns

Create a table that will appear in the Model Advisor results. This table has five rows and five columns that contain randomly generated numbers.

Use the following MATLAB code in a callback function. The Model Advisor displays `table1` in the results.

```
matrixData = rand(5,5) * 10^5;

% Initialize a table with 5 rows and 5 columns (heading rows not counting).
table1 = ModelAdvisor.Table(5,5);

% Set column headings
for n=1:5
    table1.setColHeading(n, ['Column ', num2str(n)]);
end

% Center the second column heading
table1.setColHeadingAlign(2, 'center');

% Set column width of the second column
table1.setColWidth(2, 3);

% Set the row headings
for n=1:5
    table1.setRowHeading(n, ['Row ', num2str(n)]);
end

% Enter table content
for rowIndex=1:5
    for colIndex=1:5
        table1.setEntry(rowIndex, colIndex, ...
            num2str(matrixData(rowIndex, colIndex)));

        % set alignment of entries in second row
        if colIndex == 2
            table1.setEntryAlign(rowIndex, colIndex, 'center');
        end
    end
end

% Overwrite the content of cell 3,3 with a ModelAdvisor.Text object
text = ModelAdvisor.Text('Example Text');
table1.setEntry(3,3, text)
```

	Column 1	Column 2	Column 3	Column 4	Column 5
Row 1	81472.3686	9754.0405	15761.3082	14188.6339	65574.0699
Row 2	90579.1937	27849.8219	97059.2782	42176.1283	3571.1679
Row 3	12698.6816	54688.1519	Example Text	91573.5525	84912.9306
Row 4	91337.5856	95750.6835	48537.5649	79220.733	93399.3248
Row 5	63235.9246	96488.8535	80028.0469	95949.2426	67873.5155

See Also

`ModelAdvisor.Check`

Topics

“Create Model Advisor Checks”

“Customize the Configuration of the Model Advisor Overview”

Introduced in R2006b

ModelAdvisor.Task class

Package: ModelAdvisor

Define custom tasks

Description

The `ModelAdvisor.Task` class is a wrapper for a check so that you can access the check with the Model Advisor.

You can use one `ModelAdvisor.Check` object in multiple `ModelAdvisor.Task` objects, allowing you to place the same check in multiple locations in the Model Advisor tree. For example, **Check for implicit signal resolution** is displayed in the **By Product > Simulink** folder and in the **By Task > Model Referencing** folder in the Model Advisor tree.

When adding checks as tasks, the Model Advisor uses the task properties instead of the check properties, except for `Visible` and `LicenseName`.

Construction

<code>ModelAdvisor.Task</code>	Define custom tasks
--------------------------------	---------------------

Methods

<code>setCheck</code>	Specify check used in task
-----------------------	----------------------------

Properties

<code>Description</code>	Description of task
<code>DisplayName</code>	Name of task
<code>Enable</code>	Indicate if user can enable and disable task
<code>ID</code>	Identifier for task
<code>LicenseName</code>	Product license names required to display and run task
<code>MAObj</code>	Model Advisor object
<code>Value</code>	Status of task
<code>Visible</code>	Indicate to display or hide task

Copy Semantics

Handle. To learn how this affects your use of the class, see Copying Objects in the MATLAB Programming Fundamentals documentation.

Examples

```
MAT1 = ModelAdvisor.Task('com.mathworks.sample.TaskSample1');  
MAT2 = ModelAdvisor.Task('com.mathworks.sample.TaskSample2');  
MAT3 = ModelAdvisor.Task('com.mathworks.sample.TaskSample3');
```

See Also

Topics

“Create Model Advisor Checks”

“Customize the Configuration of the Model Advisor Overview”

ModelAdvisor.Task

Class: ModelAdvisor.Task

Package: ModelAdvisor

Define custom tasks

Syntax

```
task_obj = ModelAdvisor.Task(task_ID)
```

Description

`task_obj = ModelAdvisor.Task(task_ID)` creates a task object, `task_obj`, with a unique identifier, `task_ID`. `task_ID` must remain constant. If you do not specify `task_ID`, the Model Advisor assigns a random `task_ID` to the task object.

You can use one `ModelAdvisor.Check` object in multiple `ModelAdvisor.Task` objects, allowing you to place the same check in multiple locations in the Model Advisor tree. For example, **Check for implicit signal resolution appears** in the **By Product > Simulink folder** and in the **By Task > Model Referencing** folder in the Model Advisor tree.

When adding checks as tasks, the Model Advisor uses the task properties instead of the check properties, except for `Visible` and `LicenseName`.

Examples

In the following example, you create three task objects, `MAT1`, `MAT2`, and `MAT3`.

```
MAT1 = ModelAdvisor.Task('com.mathworks.sample.TaskSample1');  
MAT2 = ModelAdvisor.Task('com.mathworks.sample.TaskSample2');  
MAT3 = ModelAdvisor.Task('com.mathworks.sample.TaskSample3');
```

See Also

Topics

“Customize the Configuration of the Model Advisor Overview”

“Programmatically Customize Tasks and Folders for the Model Advisor”

“Create Model Advisor Checks”

ModelAdvisor.Text

Create Model Advisor text output

Description

ModelAdvisor.Text objects create formatted text for the Model Advisor output.

Creation

Syntax

```
text = ModelAdvisor.Text(content,attribute)
```

Description

`text = ModelAdvisor.Text(content,attribute)` creates a text object for the Model Advisor output.

Input Arguments

content — Text object content

character vector

Optional character vector specifying the content of the text object. If `content` is empty, empty text is output.

attribute — Optional cell array

normal (default) | character vector | cell array of character vectors

Optional cell array of character vectors specifying the formatting of the content. If `attribute` is empty, the output text has the default coloring. Possible formatting options include:

- `normal` (default) — Text is black and unformatted.
- `bold` — Text is bold.
- `italic` — Text is italicized.
- `underline` — Text is underlined.
- `pass` — Text is green.
- `warn` — Text is yellow.
- `fail` — Text is red.
- `keyword` — Text is blue.
- `subscript` — Text is subscripted.
- `superscript` — Text is superscripted.

Add ASCII and Extended ASCII characters using the MATLAB `char` command.

Object Functions

setBold	Specify bold text in Model Advisor analysis results
setColor	Specify text color in Model Advisor analysis results
setHyperlink	Specify hyperlinked text
setItalic	Italicize text
setRetainSpaceReturn	Retain spacing and returns in text
setSubscript	Specify subscripted text
setSuperscript	Specify superscripted text
setUnderlined	Underline text

Examples

Specify Text in the Model Advisor Output

Text is the simplest form of output. You can format text in many different ways.

When you want one type of formatting for all text, use this syntax:

```
ModelAdvisor.Text(content, {attributes})
```

To apply multiple types of formatting, you must create several text objects and combine them.

```
t1 = ModelAdvisor.Text('It is ');
t2 = ModelAdvisor.Text('recommended', {'italic'});
t3 = ModelAdvisor.Text(' to use same font for ');
t4 = ModelAdvisor.Text('blocks', {'bold'});
t5 = ModelAdvisor.Text(' for a uniform appearance in the model.');
```

```
result = ([t1, t2, t3, t4, t5]);
```

Here is an example of a simple check callback function using the Model Advisor Formatting APIs:

```
function result = SampleStyleOneCallback(system)
mdladvObj = Simulink.ModelAdvisor.getModelAdvisor(system);
if strcmp(get_param(bdroot(system), 'ScreenColor'), 'white')
    result = ModelAdvisor.Text('Passed', {'pass'});
    mdladvObj.setCheckResultStatus(true);
else
    msg1 = ModelAdvisor.Text(...
        ['It is recommended to select a Simulink window screen color'...
        ' of white for a readable and printable model. Click ']);
    msg2 = ModelAdvisor.Text('here');
    msg2.setHyperlink('matlab: set_param(bdroot, 'ScreenColor', 'white')');
    msg3 = ModelAdvisor.Text(' to change screen color to white. ');
    result = [msg1, msg2, msg3];
    mdladvObj.setCheckResultStatus(false);
end
```

See Also

“Customize the Configuration of the Model Advisor Overview”

Topics

“Create Model Advisor Checks”

Introduced in R2006b

publish

Publish object in Model Advisor root

Syntax

```
publish(root_obj, check_obj, location)
publish(root_obj, group_obj)
publish(root_obj, fg_obj)
```

Description

`publish(root_obj, check_obj, location)` specifies where the Model Advisor places the check in the Model Advisor tree. `location` is either one of the subfolders in the **By Product** folder, or the name of a new subfolder to put in the **By Product** folder. Use a pipe-delimited character vector to indicate multiple subfolders. For example, to add a check to the **Simulink Check > Modeling Standards** folder, use the following: 'Simulink Check|Modeling Standards'.

`publish(root_obj, group_obj)` specifies the `ModelAdvisor.Group` object to publish as a folder in the **Model Advisor Task Manager** folder.

`publish(root_obj, fg_obj)` specifies the `ModelAdvisor.FactoryGroup` object to publish as a subfolder in the **By Task** folder.

Examples

```
% publish check into By Product > Demo group.
mdladvRoot.publish(rec, 'Demo');
```

See Also

Topics

“Define Custom Model Advisor Checks”

“Create and Deploy a Model Advisor Custom Configuration”

refresh_customizations

Class: Advisor.Manager

Package: Advisor

Refresh Model Advisor check information cache

Syntax

```
Advisor.Manager.refresh_customizations()
```

Description

`Advisor.Manager.refresh_customizations()` refreshes the Model Advisor check information cache.

See Also

Topics

“Fix a Model to Comply with Conditions that You Specify with the Model Advisor”

“Review a Model Against Conditions that You Specify with the Model Advisor”

“Create Model Advisor Check for Model Configuration Parameters”

Introduced in R2016b

getReportFileName

Get report file name for `ModelAdvisor.run` system result object

Syntax

```
getReportFileName(resultObj)
```

Description

`getReportFileName(resultObj)` gets the report file name of `ModelAdvisor.run` system result object. For more information on the system result object, see `ModelAdvisor.run`.

Example:

```
res = ModelAdvisor.run('vdp','mathworks.jmaab.jc_0627');  
getReportFileName(res{1})
```

```
ans =
```

```
    'C:\Users\user21\AppData\Local\Temp\tp5ba7c1f9\slprj\modeladvisor\vdp\report.html'
```

See Also

`Advisor.Manager` | `ModelAdvisor.run`

Topics

“Automate Model Advisor Check Execution”

Introduced in R2021a

register

Register object in Model Advisor root

Syntax

```
register(MAobj, obj)
```

Description

`register(MAobj, obj)` registers the object, *obj*, in the root object *MAobj*.

In the Model Advisor memory, the `register` method registers the following types of objects:

- `ModelAdvisor.Check`
- `ModelAdvisor.FactoryGroup`
- `ModelAdvisor.Group`
- `ModelAdvisor.Task`

The `register` method places objects in the Model Advisor memory that you use in other functions. The `register` method does not place objects in the Model Advisor tree.

Examples

```
mdladvRoot = ModelAdvisor.Root;  
  
MAT1 = ModelAdvisor.Task('com.mathworks.sample.TaskSample1');  
MAT1.DisplayName='Example task with input parameter and auto-fix ability';  
MAT1.setCheck('com.mathworks.sample.Check1');  
mdladvRoot.register(MAT1);  
  
MAT2 = ModelAdvisor.Task('com.mathworks.sample.TaskSample2');  
MAT2.DisplayName='Example task 2';  
MAT2.setCheck('com.mathworks.sample.Check2');  
mdladvRoot.register(MAT2);  
  
MAT3 = ModelAdvisor.Task('com.mathworks.sample.TaskSample3');  
MAT3.DisplayName='Example task 3';  
MAT3.setCheck('com.mathworks.sample.Check3');  
mdladvRoot.register(MAT3)
```

run

Class: `Advisor.Application`

Package: `Advisor`

Run Model Advisor analysis on model components

Syntax

```
run(app)
```

Description

`run(app)` runs a Model Advisor analysis, as specified by the `Application` object.

Examples

Run Model Advisor analysis

Create an `Application` object and run Model Advisor analysis.

Create an `Application` object.

```
app = Advisor.Manager.createApplication();
```

Open the model and set the root analysis to `RootModel`.

```
% Open the model
openExample('sldemo_mdhref_basic');
```

```
% Set root model to sldemo_mdhref_basic model
RootModel = 'sldemo_mdhref_basic';
```

```
% Set the Application object root analysis
setAnalysisRoot(app, 'Root', RootModel);
```

Run a Model Advisor analysis.

```
run(app);
```

Input Arguments

app — Application

`Advisor.Application` object

`Advisor.Application` object, created by `Advisor.Manager.createApplication`

See Also

`Advisor.Manager.createApplication` | `setAnalysisRoot`

Introduced in R2015b

selectCheckInstances

Class: Advisor.Application

Package: Advisor

Select check instances to use in Model Advisor analysis

Syntax

```
selectCheckInstances(app)
selectCheckInstances(app, Name, Value)
```

Description

You can select check instances to use in a Model Advisor analysis. A check instance is an instantiation of a `ModelAdvisor.Check` object in the Model Advisor configuration. When you change the Model Advisor configuration, the check instance ID might change. To obtain the check instance ID, use the `getCheckInstanceIDs` method.

`selectCheckInstances(app)` selects all check instances to use for Model Advisor analysis.

`selectCheckInstances(app, Name, Value)` selects check instances specified by `Name, Value` pair arguments to use for Model Advisor analysis.

Input Arguments

app — Application

Advisor.Application object

Advisor.Application object, created by `Advisor.Manager.createApplication`

Name-Value Pair Arguments

Specify optional pairs of arguments as `Name1=Value1, ..., NameN=ValueN`, where `Name` is the argument name and `Value` is the corresponding value. Name-value arguments must appear after other arguments, but the order of the pairs does not matter.

Before R2021a, use commas to separate each name and value, and enclose Name in quotes.

IDs — Check instance IDs

cell array

Select check instances to use in Model Advisor analysis, as specified as a cell array of IDs

Data Types: cell

Examples

Select All Check Instances to Use in Model Advisor Analysis

This example shows how to set the root model, create an Application object, set root analysis, and select all check instances for Model Advisor analysis.

```
% Open the model
openExample('sldemo_mdref_basic');

% Set root model to sldemo_mdref_basic model
RootModel='sldemo_mdref_basic';

% Create an Application object
app = Advisor.Manager.createApplication();

% Set the Application object root analysis
setAnalysisRoot(app,'Root',RootModel);

% Select all checks
selectCheckInstances(app);
```

Select Check Instance for Model Advisor Analysis Using Instance ID

This example shows how to set the root model, create an Application object, set root analysis, and select a check using instance ID.

```
% Open the model
openExample('sldemo_mdref_basic');

% Set root model to sldemo_mdref_basic model
RootModel='sldemo_mdref_basic';

% Create an Application object
app = Advisor.Manager.createApplication();

% Set the Application object root analysis
setAnalysisRoot(app,'Root',RootModel);

% Select "Identify unconnected lines, input ports, and output
% ports" check using check instance ID
instanceID = getCheckInstanceIDs(app,'mathworks.design.UnconnectedLinesPorts');
checkinstanceID = instanceID(1);
selectCheckInstances(app,'IDs',checkinstanceID);
```

See Also

[Advisor.Manager.createApplication](#) | [setAnalysisRoot](#) | [getCheckInstanceIDs](#) | [deselectCheckInstances](#)

Introduced in R2015b

selectComponents

Class: Advisor.Application

Package: Advisor

Select model components for Model Advisor analysis

Syntax

```
selectComponents(app)
selectComponents(app,Name,Value)
```

Description

You can select model components for Model Advisor analysis. A model component is a model in the system hierarchy. Models that the root model references and that `Advisor.Application.setAnalysisRoot` specifies are model components. By default, all components are selected.

`selectComponents(app)` includes all components for Model Advisor analysis.

`selectComponents(app,Name,Value)` includes model components specified by `Name,Value` pair arguments for Model Advisor analysis.

Input Arguments

app — Application

Advisor.Application object

Advisor.Application object, created by `Advisor.Manager.createApplication`

Name-Value Pair Arguments

Specify optional pairs of arguments as `Name1=Value1, . . . ,NameN=ValueN`, where `Name` is the argument name and `Value` is the corresponding value. Name-value arguments must appear after other arguments, but the order of the pairs does not matter.

Before R2021a, use commas to separate each name and value, and enclose Name in quotes.

IDs — Component IDs

cell array

Components to select for Model Advisor analysis, as specified by a cell array of IDs

Data Types: cell

HierarchicalSelection — Select component and component children

false (default) | true

Select components specified by IDs and component children from Model Advisor analysis.

Data Types: logical

Examples

Include All Components in Model Advisor Analysis

This example shows how to set the root model, create an Application object, set root analysis, and include model components in Model Advisor analysis.

```
% Open the model
openExample('sldemo_mdref_basic');

% Set root model to sldemo_mdref_basic model
RootModel='sldemo_mdref_basic';

% Create an Application object
app = Advisor.Manager.createApplication();

% Set the Application object root analysis
setAnalysisRoot(app,'Root',RootModel);

% Select all components
selectComponents(app);
```

Select Components for Model Advisor Analysis Using IDs

This example shows how to set the root model, create an Application object, set root analysis, and include model components using IDs.

```
% Open the model
openExample('sldemo_mdref_basic');

% Set root model to sldemo_mdref_basic model
RootModel='sldemo_mdref_basic';

% Create an Application object
app = Advisor.Manager.createApplication();

% Set the Application object root analysis
setAnalysisRoot(app,'Root',RootModel);

% Select component using IDs
selectComponents(app,'IDs',RootModel);
```

See Also

[Advisor.Manager.createApplication](#) | [setAnalysisRoot](#) | [deselectComponents](#)

Introduced in R2015b

setAction

Specify action for check

Syntax

```
setAction(check_obj, action_obj)
```

Description

`setAction(check_obj, action_obj)` returns the action object `action_obj` to use in the check `check_obj`. The `setAction` method identifies the action you want to use in a check.

See Also

`ModelAdvisor.Action`

Topics

“Customize the Configuration of the Model Advisor Overview”

“Create Model Advisor Checks”

setAlign

Class: ModelAdvisor.Paragraph

Package: ModelAdvisor

Specify paragraph alignment

Syntax

```
setAlign(paragraph, alignment)
```

Description

setAlign(paragraph, alignment) specifies the alignment of text. Possible values are:

- 'left' (default)
- 'right'
- 'center'

Examples

```
report_paragraph = ModelAdvisor.Paragraph;  
setAlign(report_paragraph, 'center');
```

See Also

“Customize the Configuration of the Model Advisor Overview”

Topics

“Create Model Advisor Checks”

setAnalysisRoot

Class: Advisor.Application

Package: Advisor

Specify model hierarchy for Model Advisor analysis

Syntax

```
setAnalysisRoot(app, 'Root', root)
setAnalysisRoot(app, 'Root', root, Name, Value)
```

Description

Specify the model hierarchy for an Application object analysis.

setAnalysisRoot(app, 'Root', root) specifies the analysis root.

setAnalysisRoot(app, 'Root', root, Name, Value) specifies the analysis root using Name, Value options.

Input Arguments

app — Application

Advisor.Application object

Advisor.Application object, created by Advisor.Manager.createApplication

'Root', root — Name, Value argument specifying model or subsystem path

character vector

Comma-separated Name, Value argument specifying model or subsystem path

Name-Value Pair Arguments

Specify optional pairs of arguments as Name1=Value1, ..., NameN=ValueN, where Name is the argument name and Value is the corresponding value. Name-value arguments must appear after other arguments, but the order of the pairs does not matter.

Before R2021a, use commas to separate each name and value, and enclose Name in quotes.

RootType — Analysis root

Model (default) | Subsystem

Examples

Specify Root Model as Analysis Root

This example shows how to set the root model, create an Application object, and set the root analysis.

```
% Open the model
openExample('sldemo_mdref_basic');

% Set root model to sldemo_mdref_basic model
RootModel='sldemo_mdref_basic';

% Create an Application object
app = Advisor.Manager.createApplication();

% Set the Application object root analysis
setAnalysisRoot(app,'Root',RootModel);
```

Specify Subsystem as Analysis Root

This example shows how to set the root model, create an Application object, and specify a subsystem as the analysis root.

```
% Open the model
openExample('sldemo_mdref_basic');

% Set root model to sldemo_mdref_basic model
RootModel='sldemo_mdref_basic';

% Create an Application object
app = Advisor.Manager.createApplication();

% Set the Application object root analysis
setAnalysisRoot(app,'Root','sldemo_mdref_basic/CounterA','RootType','Subsystem');
```

See Also

`Advisor.Manager.createApplication`

Introduced in R2015b

setAnalysisRoot

Class: slmetric.Engine

Package: slmetric

Specify model or subsystem for metric analysis

Syntax

```
setAnalysisRoot(metric_engine, 'Root', root)
setAnalysisRoot(metric_engine, 'Root', root, Name, Value)
```

Description

Specify the model or subsystem for slmetric.Engine metric object analysis.

setAnalysisRoot(metric_engine, 'Root', root) specifies the metric analysis root.

For an slmetric.Engine object, before you set the ModelReferencesSimulationMode and AnalyzeLibraries properties, specify the setAnalysisRoot method. The setAnalysisRoot method persists between model runs. If you change these property values and then apply the setAnalysisRoot method, the original values override the new values. For example, for one run, suppose you set these values:

```
metric_engine = slmetric.Engine();
setAnalysisRoot(metric_engine, 'Root', 'vdp');
metric_engine.ModelReferencesSimulationMode = 'AllModes';
metric_engine.AnalyzeLibraries = true;
```

For the next run, if you want to change the ModelReferencesSimulationMode or the AnalyzeLibraries properties, be sure to first specify the setAnalysisroot method:

```
metric_engine = slmetric.Engine();
setAnalysisRoot(metric_engine, 'Root', 'vdp');
metric_engine.AnalyzeModelReferences = false;
metric_engine.AnalyzeLibraries = false;
```

setAnalysisRoot(metric_engine, 'Root', root, Name, Value) specifies the metric analysis root by using Name, Value pairs.

Input Arguments

metric_engine — Collects and accesses metric data

slmetric.Engine object

When you call execute, metric_engine collects metric data for all MathWorks metrics or for the specified MetricIDs. Calling getMetrics accesses the collected metric data in metric_engine.

'Root' — Name, Value argument specifying model or subsystem path

character vector

Comma-separated `Name`, `Value` argument specifying model or subsystem path. `Name` is the argument name and `Value` is the corresponding value. `Name` must appear inside quotes.

RootType — Type of model component for metric analysis

`Model` (default) | `Subsystem`

Comma-separated `Name`, `Value` argument specifying the `RootType`

Examples

Specify Model for Metric Analysis

This example shows how to specify a model for metric analysis.

Create an `slmetric.Engine` object.

```
metric_engine = slmetric.Engine();
```

Specify the model `vdp` as the root model for metric analysis.

```
setAnalysisRoot(metric_engine, 'Root', 'vdp');
```

Specify Subsystem for Metric Analysis

This example shows how specify a subsystem for metric analysis.

Create an `slmetric.Engine` object.

```
metric_engine = slmetric.Engine();
```

Set the subsystem `enab1` as the root for metric analysis.

```
Subsys = 'sl_subsys_enab1/enab1';  
setAnalysisRoot(metric_engine, 'Root', Subsys, 'RootType', 'Subsystem');
```

See Also

`slmetric.metric.ResultCollection` | `slmetric.metric.Metric` |
`slmetric.metric.getAvailableMetrics` | `execute`

Topics

“Collect Model Metrics Programmatically”

“Model Metrics” on page 2-289

Introduced in R2016a

setBold

Specify bold text in Model Advisor analysis results

Syntax

```
setBold(textObj,boldText)
```

Description

`setBold(textObj,boldText)` makes `textObj` bold if `boldText` is true and makes `textObj` not bold if `boldText` is false.

Note The function `setBold` is for formatting Model Advisor analysis results with Simulink Check. For more information, see “Simulink Check”.

For information on how to format text in MATLAB, see “Formatting Text”.

Examples

Make Text Bold in Model Advisor Analysis Results

Create a Model Advisor text object and make the text bold.

Use `ModelAdvisor.Text` to create Model Advisor text object `t1`.

```
result = ModelAdvisor.Text('This is a message in bold.');
```

Make the text bold.

```
setBold(result, true);
```

Use `setBold` in a check callback function in your `sl_customization` file to format your results.

```
function result = SampleStyleOneCallback(system)
result = ModelAdvisor.Text('This is a message in bold.');
```

```
setBold(result, true);
end
```

For more information on using check callback functions to format text, see “Specify Text in the Model Advisor Output” on page 1-230. For more information on how to format check results, see “Display and Enable Check”.

Input Arguments

textObj — Model Advisor output text

`ModelAdvisor.Text` object

Model Advisor result text, specified as a `ModelAdvisor.Text` object.

boldText — Bold text setting

true or 1 | false or 0

Bold text setting, specified as a numeric or logical 1 (true) or 0 (false). If `boldText` is 1, the `textObj` is formatted bold. If `boldText` is 0, the `textObj` is not formatted bold.

Data Types: logical

See Also

`ModelAdvisor.Text | setColor`

Topics

“Define Custom Model Advisor Checks”

“Display and Enable Check”

setCallbackFcn

Class: ModelAdvisor.Action

Package: ModelAdvisor

Specify action callback function

Syntax

```
setCallbackFcn(action_obj, @handle)
```

Description

`setCallbackFcn(action_obj, @handle)` specifies the handle to the callback function, `handle`, to use with the action object, `action_obj`.

Examples

The following example is a fragment of code is from “Create and Deploy a Model Advisor Custom Configuration”. The example does not execute as shown without the additional content found in the `sl_customization.m` and `defineDetailStyleCheck.m` files.

```
% Create ModelAdvisor.Action object for setting fix operation.
myAction = ModelAdvisor.Action;
myAction.setCallbackFcn(@ActionCB);
myAction.Name='Make block names appear below blocks';
myAction.Description='Click the button to place block names below blocks';
rec.setAction(myAction);
mdladvRoot.publish(rec, 'Demo'); % publish check into Demo group.
end
```

See Also

“Customize the Configuration of the Model Advisor Overview”

Topics

“Create Model Advisor Checks”
`setActionEnable`

setCallbackFcn

Specify callback function for check

Syntax

```
setCallbackFcn(check_obj, @handle, context, style)
```

Description

`setCallbackFcn(check_obj, @handle, context, style)` specifies the callback function to use with the check, `check_obj`.

For the `style` input argument, to use the default format of the Model Advisor report, specify `DetailStyle`. With the default format, you do not have to use the `ModelAdvisor.FormatTemplate` class or the other Model Advisor Formatting APIs to format the results that appear in the Model Advisor. `DetailStyle` also allows you to view results by block, subsystem, or recommended action. If the default formatting does not meet your needs, use the `ModelAdvisor.FormatTemplate` API or the other formatting APIs.

Input Arguments

<code>check_obj</code>	Instantiation of the <code>ModelAdvisor.Check</code> class
<code>handle</code>	Handle to a check callback function
<code>context</code>	Context for checking the model or subsystem: <ul style="list-style-type: none">'None' — No special requirements.'PostCompile' — The model must be compiled.'PostCompileForCodegen' — The model is compiled for code generation but is not simulated. Use this option to check the code generation readiness of a model and to analyze both active and inactive variant paths. To analyze both active and inactive variants, you must set the System target file configuration parameter to <code>ert.tlc</code>.
<code>style</code>	Type of callback function: <ul style="list-style-type: none">'StyleOne' — Simple check callback function, for formatting results using template'StyleTwo' — Detailed check callback function'StyleThree' — Check callback functions with hyperlinked results'DetailStyle' — Check callback function for result collections. This style is recommended for authoring Model Advisor checks.

Examples

This example illustrates the definition for a check using a callback function whose style is defined as `DetailStyle`.

```
% This is the recommended style to author checks.
function defineModelAdvisorChecks
mdladvRoot = ModelAdvisor.Root;
rec = ModelAdvisor.Check('com.mathworks.sample.Check0');
rec.Title = 'Check whether block names appear below blocks (recommended check style)';
rec.TitleTips = 'Example new style callback (recommended check style)';
rec.setCallbackFcn(@SampleNewCheckStyleCallback,'None','DetailStyle');
% set fix operation
myAction0 = ModelAdvisor.Action;
myAction0.setCallbackFcn(@sampleActionCB0);
myAction0.Name='Make block names appear below blocks';
myAction0.Description='Click the button to place block names below blocks';
rec.setAction(myAction0);
mdladvRoot.publish(rec, 'Demo'); % publish check into Demo group.
```

See Also

“Customize the Configuration of the Model Advisor Overview”

Topics

“Define Custom Model Advisor Checks”

“Create Model Advisor Checks”

setCheck

Class: ModelAdvisor.Task

Package: ModelAdvisor

Specify check used in task

Syntax

```
setCheck(task, check_ID)
```

Description

setCheck(task, check_ID) specifies the check to use in the task.

You can use one ModelAdvisor.Check object in multiple ModelAdvisor.Task objects, allowing you to place the same check in multiple locations in the Model Advisor tree. For example, **Check for implicit signal resolution** appears in the **By Product > Simulink folder** and in the **By Task > Model Referencing** folder in the Model Advisor tree.

When adding checks as tasks, the Model Advisor uses the task properties instead of the check properties, except for Visible and LicenseName.

Input Arguments

task	Instantiation of the ModelAdvisor.Task class
check_ID	A unique identifier for the check to use in the task

Examples

```
MAT1 = ModelAdvisor.Task('com.mathworks.sample.TaskSample1');  
setCheck(MAT1, 'com.mathworks.sample.Check1');
```


setCheckText

Add description of check to result

Syntax

```
setCheckText(ft_obj, text)
```

Description

`setCheckText(ft_obj, text)` is an optional method that adds text or a model advisor template object as the first item in the report. Use this method to add information describing the overall check.

Input Arguments

ft_obj

A handle to a template object.

text

A character vector or a handle to a formatting object.

Valid formatting objects are: `ModelAdvisor.Image`, `ModelAdvisor.LineBreak`, `ModelAdvisor.List`, `ModelAdvisor.Paragraph`, `ModelAdvisor.Table`, and `ModelAdvisor.Text`.

text appears as the first line in the analysis result.

Examples

Create a list object, `ft`, and add a line of text to the result:

```
ft = ModelAdvisor.FormatTemplate('ListTemplate');  
setCheckText(ft, ['Identify unconnected lines, input ports,...  
    'and output ports in the model']);
```

See Also

“Customize the Configuration of the Model Advisor Overview”

Topics

“Create Model Advisor Checks”

setColHeading

Specify table column title

Syntax

```
setColHeading(table, column, heading)
```

Description

`setColHeading(table, column, heading)` specifies that the column header of `column` is set to `heading`.

Input Arguments

<code>table</code>	Instantiation of the <code>ModelAdvisor.Table</code> class
<code>column</code>	An integer specifying the column number
<code>heading</code>	A character vector, element object, or object array specifying the table column title

Examples

```
table1 = ModelAdvisor.Table(2, 3);  
setColHeading(table1, 1, 'Header 1');  
setColHeading(table1, 2, 'Header 2');  
setColHeading(table1, 3, 'Header 3');
```

See Also

“Customize the Configuration of the Model Advisor Overview”

Topics

“Create Model Advisor Checks”

setColHeadingAlign

Specify column title alignment

Syntax

```
setColHeadingAlign(table, column, alignment)
```

Description

`setColHeadingAlign(table, column, alignment)` specifies the alignment of the column heading.

Input Arguments

<code>table</code>	Instantiation of the <code>ModelAdvisor.Table</code> class
<code>column</code>	An integer specifying the column number
<code><i>alignment</i></code>	Alignment of the column heading. <i>alignment</i> can have one of the following values: <ul style="list-style-type: none">• left (default)• right• center

Examples

```
table1 = ModelAdvisor.Table(2, 3);  
setColHeading(table1, 1, 'Header 1');  
setColHeadingAlign(table1, 1, 'center');  
setColHeading(table1, 2, 'Header 2');  
setColHeadingAlign(table1, 2, 'center');  
setColHeading(table1, 3, 'Header 3');  
setColHeadingAlign(table1, 3, 'center');
```

See Also

“Customize the Configuration of the Model Advisor Overview”

Topics

“Create Model Advisor Checks”

setColHeadingValign

Specify column title vertical alignment

Syntax

```
setColHeadingValign(table, column, alignment)
```

Description

`setColHeadingValign(table, column, alignment)` specifies the vertical alignment of the column heading.

Input Arguments

<code>table</code>	Instantiation of the <code>ModelAdvisor.Table</code> class
<code>column</code>	An integer specifying the column number
<code><i>alignment</i></code>	Vertical alignment of the column heading. <code><i>alignment</i></code> can have one of the following values: <ul style="list-style-type: none">• top (default)• middle• bottom

Examples

```
table1 = ModelAdvisor.Table(2, 3);  
setColHeading(table1, 1, 'Header 1');  
setColHeadingValign(table1, 1, 'middle');  
setColHeading(table1, 2, 'Header 2');  
setColHeadingValign(table1, 2, 'middle');  
setColHeading(table1, 3, 'Header 3');  
setColHeadingValign(table1, 3, 'middle');
```

See Also

“Customize the Configuration of the Model Advisor Overview”

Topics

“Create Model Advisor Checks”

setColor

Specify text color in Model Advisor analysis results

Syntax

```
setColor(textObj,colorValue)
```

Description

`setColor(textObj,colorValue)` sets the `textObj` color to the color specified by `colorValue`.

Note The function `setColor` is for formatting Model Advisor analysis results with Simulink Check. For more information, see “Simulink Check”.

For information on how to format text in MATLAB, see “Formatting Text”.

Examples

Set Text Color in Model Advisor Analysis Results

Create a Model Advisor text object and make the text yellow.

Use `ModelAdvisor.Text` to create Model Advisor text object `t1`.

```
result = ModelAdvisor.Text('This is a warning in yellow.');
```

Set the text color to yellow. The text color yellow is associated with the value `'warn'`.

```
setColor(result, 'warn');
```

Use `setColor` in a check callback function in your `sl_customization` file to format your results.

```
function result = SampleStyleOneCallback(system)
result = ModelAdvisor.Text('This is a warning in yellow.');
```

```
setColor(result, 'warn');
```

```
end
```

For more information on using check callback functions to format text, see “Specify Text in the Model Advisor Output” on page 1-230. For more information on how to format check results, see “Display and Enable Check”.

Input Arguments

textObj — Model Advisor output text

`ModelAdvisor.Text` object

Model Advisor result text, specified as a `ModelAdvisor.Text` object.

colorValue – Text color setting`'normal' | 'pass' | 'warn' | 'fail' | 'keyword'`

Text color setting, specified by one of the values listed in this table.

Value	Text Color
'normal'	Black
'pass'	Green
'warn'	Yellow
'fail'	Red
'keyword'	Blue

See Also`ModelAdvisor.Text | setBold`**Topics**

“Define Custom Model Advisor Checks”

“Display and Enable Check”

setColSpan

Class: ModelAdvisor.InputParameter

Package: ModelAdvisor

Specify number of columns for input parameter

Syntax

```
setColSpan(input_param, [start_col end_col])
```

Description

`setColSpan(input_param, [start_col end_col])` specifies the number of columns that the parameter occupies. Use the `setColSpan` method to specify where you want an input parameter located in the layout grid when there are multiple input parameters.

Input Arguments

<code>input_param</code>	Instantiation of the <code>ModelAdvisor.InputParameter</code> class
<code>start_col</code>	A positive integer representing the first column that the input parameter occupies in the layout grid
<code>end_col</code>	A positive integer representing the last column that the input parameter occupies in the layout grid

Examples

```
inputParam2 = ModelAdvisor.InputParameter;  
inputParam2.Name = 'Standard font size';  
inputParam2.Value='12';  
inputParam2.Type='String';  
inputParam2.Description='sample tooltip';  
inputParam2.setRowSpan([2 2]);  
inputParam2.setColSpan([1 1]);
```

setColTitles

Add column titles to table

Syntax

```
setColTitles(ft_obj, {col_title_1, col_title_2, ...})
```

Description

`setColTitles(ft_obj, {col_title_1, col_title_2, ...})` is method you must use when you create a template object that is a table type. Use it to specify the titles of the columns in the table.

Note Before adding data to a table, you must specify column titles.

Input Arguments

ft_obj

A handle to a template object.

col_title_N

A cell of character vectors or handles to formatting objects, specifying the column titles.

Valid formatting objects are: `ModelAdvisor.Image`, `ModelAdvisor.LineBreak`, `ModelAdvisor.List`, `ModelAdvisor.Paragraph`, `ModelAdvisor.Table`, and `ModelAdvisor.Text`.

The order of the `col_title_N` inputs determines which column the title is in. If you do not add data to the table, the Model Advisor does not display the table in the result.

Examples

Create a table object, `ft`, and specify two column titles:

```
ft = ModelAdvisor.FormatTemplate('TableTemplate');  
setColTitles(ft, {'Index', 'Block Name'});
```

See Also

“Customize the Configuration of the Model Advisor Overview”

Topics

“Create Model Advisor Checks”

setColWidth

Specify column widths

Syntax

```
setColWidth(table, column, width)
```

Description

`setColWidth(table, column, width)` specifies the column.

The `setColWidth` method specifies the table column widths relative to the entire table width. If column widths are [1 2 3], the second column is twice the width of the first column, and the third column is three times the width of the first column. Unspecified columns have a default width of 1. For example:

```
setColWidth(1, 1);  
setColWidth(3, 2);
```

specifies [1 1 2] column widths.

Input Arguments

<code>table</code>	Instantiation of the <code>ModelAdvisor.Table</code> class
<code>column</code>	An integer specifying column number
<code>width</code>	An integer or array of integers specifying the column widths, relative to the entire table width

Examples

```
table1 = ModelAdvisor.Table(2, 3)  
setColWidth(table1, 1, 1);  
setColWidth(table1, 3, 2);
```

See Also

“Customize the Configuration of the Model Advisor Overview”

Topics

“Create Model Advisor Checks”

setEntries

Set contents of table

Syntax

```
setEntries(content)
```

Description

setEntries(content) sets content of the table.

Input Arguments

content A 2-D cell array containing the contents of the table. Each item of the cell array must be either a character vector or an instance of ModelAdvisor.Element. The size of the cell array must be equal to the size of the table specified in the ModelAdvisor.Table constructor.

Examples

Create a subtable

This example creates a table within a table using the ModelAdvisor.Table.setEntry function.

The default table formatting is:

- Default color (black)
- Left justified
- Bold title, row, and column headings

Change table formatting using the ModelAdvisor.Table class.

This example creates a subtable within a table.

```
table1 = ModelAdvisor.Table(1,1);  
table2 = ModelAdvisor.Table(2,3);  
table2.setHeading('Table 2');  
table2.setHeadingAlign('center');  
table2.setColHeading(1, 'Header 1');  
table2.setColHeading(2, 'Header 2');  
table2.setColHeading(3, 'Header 3');  
table1.setHeading('Table 1');  
table1.setEntry(1,1,table2);
```

Table 1														
<table border="1"><thead><tr><th colspan="3">Table 2</th></tr><tr><th>Header 1</th><th>Header 2</th><th>Header 3</th></tr></thead><tbody><tr><td></td><td></td><td></td></tr><tr><td></td><td></td><td></td></tr></tbody></table>			Table 2			Header 1	Header 2	Header 3						
Table 2														
Header 1	Header 2	Header 3												

See Also

“Customize the Configuration of the Model Advisor Overview”

Topics

“Create Model Advisor Checks”

setEntry

Add cell to table

Syntax

```
setEntry(table, row, column, string)
setEntry(table, row, column, content)
```

Description

`setEntry(table, row, column, string)` adds a character vector to a cell in a table.

`setEntry(table, row, column, content)` adds an object specified by `content` to a cell in a table.

Input Arguments

<code>table</code>	Instantiation of the <code>ModelAdvisor.Table</code> class
<code>row</code>	An integer specifying the row
<code>column</code>	An integer specifying the column
<code>string</code>	A character vector representing the contents of the entry
<code>content</code>	An element object or object array specifying the content of the table entries

Examples

Create two tables and insert `table2` into the first cell of `table1`:

```
table1 = ModelAdvisor.Table(1, 1);
table2 = ModelAdvisor.Table(2, 3);
.
.
.
setEntry(table1, 1, 1, table2);
```

See Also

“Customize the Configuration of the Model Advisor Overview”

Topics

“Create Model Advisor Checks”

setEntryAlign

Specify table cell alignment

Syntax

```
setEntryAlign(table, row, column, alignment)
```

Description

`setEntryAlign(table, row, column, alignment)` specifies the cell alignment of the designated cell.

Input Arguments

<code>table</code>	Instantiation of the <code>ModelAdvisor.Table</code> class
<code>row</code>	An integer specifying row number
<code>column</code>	An integer specifying column number
<code><i>alignment</i></code>	Cell alignment, specified as one of the following: <ul style="list-style-type: none">• 'left' (default)• 'right'• 'center'

Examples

```
table1 = ModelAdvisor.Table(2,3);  
setHeading(table1, 'New Table');  
.  
.  
.  
setEntry(table1, 1, 1, 'First Entry');  
setEntryAlign(table1, 1, 1, 'center');
```

See Also

“Customize the Configuration of the Model Advisor Overview”

Topics

“Create Model Advisor Checks”

setEntryValign

Specify table cell vertical alignment

Syntax

```
setEntryValign(table, row, column, alignment)
```

Description

`setEntryValign(table, row, column, alignment)` specifies the cell alignment of the designated cell.

Input Arguments

<code>table</code>	Instantiation of the <code>ModelAdvisor.Table</code> class
<code>row</code>	An integer specifying row number
<code>column</code>	An integer specifying column number
<code><i>alignment</i></code>	Cell vertical alignment, specified as one of the following: <ul style="list-style-type: none">• 'top' (default)• 'middle'• 'bottom'

Examples

```
table1 = ModelAdvisor.Table(2,3);  
setHeading(table1, 'New Table');  
.  
.  
.  
setEntry(table1, 1, 1, 'First Entry');  
setEntryValign(table1, 1, 1, 'middle');
```

See Also

“Customize the Configuration of the Model Advisor Overview”

Topics

“Create Model Advisor Checks”

setHeading

Specify table title

Syntax

```
setHeading(table, title)
```

Description

`setHeading(table, title)` specifies the table title.

Input Arguments

<code>table</code>	Instantiation of the <code>ModelAdvisor.Table</code> class
<code>title</code>	A character vector, element object, or object array that specifies the table title

Examples

```
table1 = ModelAdvisor.Table(2, 3);  
setHeading(table1, 'New Table');
```

See Also

“Customize the Configuration of the Model Advisor Overview”

Topics

“Create Model Advisor Checks”

setHeadingAlign

Specify table title alignment

Syntax

```
setHeadingAlign(table, alignment)
```

Description

`setHeadingAlign(table, alignment)` specifies the alignment for the table title.

Input Arguments

<code>table</code>	Instantiation of the <code>ModelAdvisor.Table</code> class
<code><i>alignment</i></code>	Table title alignment, specified as one of the following: <ul style="list-style-type: none">• 'left' (default)• 'right'• 'center'

Examples

```
table1 = ModelAdvisor.Table(2, 3);  
setHeading(table1, 'New Table');  
setHeadingAlign(table1, 'center');
```

See Also

“Customize the Configuration of the Model Advisor Overview”

Topics

“Create Model Advisor Checks”

setHyperlink

Class: ModelAdvisor.Image

Package: ModelAdvisor

Specify hyperlink location

Syntax

```
setHyperlink(image, url)
```

Description

setHyperlink(image, url) specifies the target location of the hyperlink associated with image.

Input Arguments

image	Instantiation of the ModelAdvisor.Image class
url	The target URL

Examples

```
matlab_logo=ModelAdvisor.Image;  
setHyperlink(matlab_logo, 'https://www.mathworks.com');
```

See Also

“Customize the Configuration of the Model Advisor Overview”

Topics

“Create Model Advisor Checks”

setHyperlink

Specify hyperlinked text

Syntax

```
setHyperlink(text, url)
```

Description

setHyperlink(text, url) creates a hyperlink from the text to the specified URL.

Input Arguments

text	Instantiation of the ModelAdvisor.Text class
url	The target location of the URL

Examples

```
t1 = ModelAdvisor.Text('MathWorks home page');  
setHyperlink(t1, 'https://www.mathworks.com');
```

See Also

“Customize the Configuration of the Model Advisor Overview”

Topics

“Create Model Advisor Checks”

setImageSource

Class: ModelAdvisor.Image

Package: ModelAdvisor

Specify image location

Syntax

```
setImageSource(image_obj, source)
```

Description

setImageSource(image_obj, source) specifies the location of the image.

Input Arguments

image_obj	Instantiation of the ModelAdvisor.Image class
source	The location of the image file

See Also

“Customize the Configuration of the Model Advisor Overview”

Topics

“Create Model Advisor Checks”

setInformation

Add description of subcheck to result

Syntax

```
setInformation(ft_obj, text)
```

Description

`setInformation(ft_obj, text)` is an optional method that adds text as the first item after the subcheck title. Use this method to add information describing the subcheck.

Input Arguments

ft_obj

A handle to a template object.

text

A character vector or a handle to a formatting object, that describes the subcheck.

Valid formatting objects are: `ModelAdvisor.Image`, `ModelAdvisor.LineBreak`, `ModelAdvisor.List`, `ModelAdvisor.Paragraph`, `ModelAdvisor.Table`, and `ModelAdvisor.Text`.

The Model Advisor displays *text* after the title of the subcheck.

Examples

Create a list object, `ft`, and specify a subcheck title and description:

```
ft = ModelAdvisor.FormatTemplate('ListTemplate');
setSubTitle(ft, ['Check for constructs in the model '...
    'that are not supported when generating code']);
setInformation(ft, ['Identify blocks that should not '...
    'be used for code generation.']);
```

See Also

“Customize the Configuration of the Model Advisor Overview”

Topics

“Create Model Advisor Checks”

setInputParameters

Specify input parameters for check

Syntax

```
setInputParameters(check_obj, params)
```

Description

`setInputParameters(check_obj, params)` specifies `ModelAdvisor.InputParameter` objects (`params`) to be used as input parameters to a check (`check_obj`).

Input Arguments

<code>check_obj</code>	Instantiation of the <code>ModelAdvisor.Check</code> class
<code>params</code>	A cell array of <code>ModelAdvisor.InputParameters</code> objects

Examples

```
rec = ModelAdvisor.Check('com.mathworks.sample.Check1');  
inputParam1 = ModelAdvisor.InputParameter;  
inputParam2 = ModelAdvisor.InputParameter;  
inputParam3 = ModelAdvisor.InputParameter;  
setInputParameters(rec, {inputParam1,inputParam2,inputParam3});
```

See Also

`ModelAdvisor.InputParameter`

Topics

“Customize the Configuration of the Model Advisor Overview”
“Create Model Advisor Checks”

setInputParametersLayoutGrid

Specify layout grid for input parameters

Syntax

```
setInputParametersLayoutGrid(check_obj, [row col])
```

Description

`setInputParametersLayoutGrid(check_obj, [row col])` specifies the layout grid for input parameters in the Model Advisor. Use the `setInputParametersLayoutGrid` method when there are multiple input parameters.

Input Arguments

<code>check_obj</code>	Instantiation of the <code>ModelAdvisor.Check</code> class
<code>row</code>	Number of rows in the layout grid
<code>col</code>	Number of columns in the layout grid

Examples

The following example is a fragment of code from a check definition function. The example does not execute as shown without the full check definition function.

```
rec = ModelAdvisor.Check('com.mathworks.sample.Check1');
rec.setInputParametersLayoutGrid([3 2]);
% define input parameters
inputParam1 = ModelAdvisor.InputParameter;
inputParam1.Name = 'Skip font checks.';
inputParam1.Type = 'Bool';
inputParam1.Value = false;
inputParam1.Description = 'sample tooltip';
inputParam1.setRowSpan([1 1]);
inputParam1.setColSpan([1 1]);
inputParam2 = ModelAdvisor.InputParameter;
inputParam2.Name = 'Standard font size';
inputParam2.Value='12';
inputParam2.Type='String';
inputParam2.Description='sample tooltip';
inputParam2.setRowSpan([2 2]);
inputParam2.setColSpan([1 1]);
inputParam3 = ModelAdvisor.InputParameter;
inputParam3.Name='Valid font';
inputParam3.Type='Combobox';
inputParam3.Description='sample tooltip';
inputParam3.Entries={'Arial', 'Arial Black'};
inputParam3.setRowSpan([2 2]);
inputParam3.setColSpan([2 2]);
rec.setInputParameters({inputParam1,inputParam2,inputParam3});
```

See Also

`ModelAdvisor.InputParameter`

Topics

“Customize the Configuration of the Model Advisor Overview”

“Create Model Advisor Checks”

setItalic

Italicize text

Syntax

```
setItalic(text, mode)
```

Description

`setItalic(text, mode)` specifies whether `text` should be italicized.

Input Arguments

<code>text</code>	Instantiation of the <code>ModelAdvisor.Text</code> class
<code>mode</code>	A Boolean value indicating italic formatting of text: <ul style="list-style-type: none">• <code>true</code> — Italicize the text.• <code>false</code> — Do not italicize the text.

Examples

```
t1 = ModelAdvisor.Text('This is some text');  
setItalic(t1, 'true');
```

See Also

“Customize the Configuration of the Model Advisor Overview”

Topics

“Create Model Advisor Checks”

setListObj

Add list of hyperlinks to model objects

Syntax

```
setListObj(ft_obj, {model_obj})
```

Description

`setListObj(ft_obj, {model_obj})` is an optional method that generates a bulleted list of hyperlinks to model objects. *ft_obj* is a handle to a list template object. *model_obj* is a cell array of handles or full paths to blocks, or model objects that the Model Advisor displays as a bulleted list of hyperlinks in the report.

Examples

Create a list object, `ft`, and add a list of the blocks found in the model:

```
ft = ModelAdvisor.FormatTemplate('ListTemplate');  
  
% Find all the blocks in the system  
allBlocks = find_system(system);  
  
% Add the blocks to a list  
setListObj(ft, allBlocks);
```

See Also

“Customize the Configuration of the Model Advisor Overview”

Topics

“Create Model Advisor Checks”

setRecAction

Add Recommended Action section and text

Syntax

```
setRecAction(ft_obj, {text})
```

Description

`setRecAction(ft_obj, {text})` is an optional method that adds a Recommended Action section to the report. Use this method to describe how to fix the check.

Input Arguments

ft_obj

A handle to a template object.

text

A cell array of character vectors or handles to formatting objects, that describes the recommended action to fix the issues reported by the check.

Valid formatting objects are: `ModelAdvisor.Image`, `ModelAdvisor.LineBreak`, `ModelAdvisor.List`, `ModelAdvisor.Paragraph`, `ModelAdvisor.Table`, and `ModelAdvisor.Text`.

The Model Advisor displays the recommended action as a separate section below the list or table in the report.

Examples

Create a list object, `ft`, find Gain blocks in the model, and recommend changing them:

```
ft = ModelAdvisor.FormatTemplate('ListTemplate');  
% Find all Gain blocks  
gainBlocks = find_system(gcs, 'BlockType', 'Gain');  
  
% Find Gain blocks  
for idx = 1:length(gainBlocks)  
    gainObj = get_param(gainBlocks(idx), 'Object');  
  
    setRecAction(ft, {'If you are using these blocks '...  
                    'as buffers, you should replace them with '...  
                    'Signal Conversion blocks'});  
end
```

See Also

“Customize the Configuration of the Model Advisor Overview”

Topics

“Create Model Advisor Checks”

setRefLink

Add See Also section and links

Syntax

```
setRefLink(ft_obj, {'standard'})
setRefLink(ft_obj, {'url', 'standard'})
```

Description

`setRefLink(ft_obj, {'standard'})` is an optional method that adds a See Also section above the table or list in the result. Use this method to add references to standards. *ft_obj* is a handle to a template object. *standard* is a cell array of character vectors that you want to display in the result. If you include more than one cell, the Model Advisor displays the character vectors in a bulleted list.

`setRefLink(ft_obj, {'url', 'standard'})` generates a list of links in the See Also section. *url* indicates the location to link to. You must provide the full link including the protocol. For example, `https://www.mathworks.com` is a valid link, while `www.mathworks.com` is not a valid link. You can create a link to a protocol that is valid URL, such as a web site address, a full path to a file, or a relative path to a file.

Note `setRefLink` expects a cell array of cell arrays for the second input.

Examples

Create a list object, *ft*, and add a related standard:

```
ft = ModelAdvisor.FormatTemplate('ListTemplate');
setRefLink(ft, {'IEC 61508-3, Table A.3 (3) 'Language subset'});
```

Create a list object, *ft*, and add a list of related standards:

```
ft = ModelAdvisor.FormatTemplate('ListTemplate');
setRefLink(ft, {
    {'IEC 61508-3, Table A.3 (2) 'Strongly typed programming language'},...
    {'IEC 61508-3, Table A.3 (3) 'Language subset'}});
```

See Also

“Customize the Configuration of the Model Advisor Overview”

Topics

“Create Model Advisor Checks”

setRetainSpaceReturn

Retain spacing and returns in text

Syntax

```
setRetainSpaceReturn(text, mode)
```

Description

`setRetainSpaceReturn(text, mode)` specifies whether the text must retain the spaces and carriage returns.

Input Arguments

<code>text</code>	Instantiation of the <code>ModelAdvisor.Text</code> class
<code>mode</code>	A Boolean value indicating whether to preserve spaces and carriage returns in the text: <ul style="list-style-type: none">• <code>true</code> (default) — Preserve spaces and carriage returns.• <code>false</code> — Do not preserve spaces and carriage returns.

Examples

```
t1 = ModelAdvisor.Text('MathWorks home page');  
setRetainSpaceReturn(t1, 'true');"Customize the Configuration of the Model Advisor Overview"
```

setRowHeading

Specify table row title

Syntax

```
setRowHeading(table, row, heading)
```

Description

`setRowHeading(table, row, heading)` specifies a title for the designated table row.

Input Arguments

<code>table</code>	Instantiation of the <code>ModelAdvisor.Table</code> class
<code>row</code>	An integer specifying row number
<code>heading</code>	A character vector, element object, or object array specifying the table row title

Examples

```
table1 = ModelAdvisor.Table(2,3);  
setRowHeading(table1, 1, 'Row 1 Title');  
setRowHeading(table1, 2, 'Row 2 Title');
```

See Also

“Customize the Configuration of the Model Advisor Overview”

Topics

“Create Model Advisor Checks”

setRowHeadingAlign

Specify table row title alignment

Syntax

```
setRowHeadingAlign(table, row, alignment)
```

Description

`setRowHeadingAlign(table, row, alignment)` specifies the alignment for the designated table row.

Input Arguments

<code>table</code>	Instantiation of the <code>ModelAdvisor.Table</code> class
<code>row</code>	An integer specifying row number.
<code>alignment</code>	Cell alignment, specified as one of the following: <ul style="list-style-type: none">• 'left' (default)• 'right'• 'center'

Examples

```
table1 = ModelAdvisor.Table(2, 3);  
setRowHeading(table1, 1, 'Row 1 Title');  
setRowHeadingAlign(table1, 1, 'center');  
setRowHeading(table1, 2, 'Row 2 Title');  
setRowHeadingAlign(table1, 2, 'center');
```

See Also

“Customize the Configuration of the Model Advisor Overview”

Topics

“Create Model Advisor Checks”

setRowHeadingValign

Specify table row title vertical alignment

Syntax

```
setRowHeadingValign(table, row, alignment)
```

Description

`setRowHeadingValign(table, row, alignment)` specifies the vertical alignment for the designated table row.

Input Arguments

<code>table</code>	Instantiation of the <code>ModelAdvisor.Table</code> class
<code>row</code>	An integer specifying row number.
<code>alignment</code>	Cell vertical alignment, specified as one of the following: <ul style="list-style-type: none">• 'top' (default)• 'middle'• 'bottom'

Examples

```
table1 = ModelAdvisor.Table(2, 3);  
setRowHeading(table1, 1, 'Row 1 Title');  
setRowHeadingValign(table1, 1, 'middle');  
setRowHeading(table1, 2, 'Row 2 Title');  
setRowHeadingValign(table1, 2, 'middle');
```

See Also

“Customize the Configuration of the Model Advisor Overview”

Topics

“Create Model Advisor Checks”

setRowSpan

Class: ModelAdvisor.InputParameter

Package: ModelAdvisor

Specify rows for input parameter

Syntax

```
setRowSpan(input_param, [start_row end_row])
```

Description

`setRowSpan(input_param, [start_row end_row])` specifies the number of rows that the parameter occupies. Specify where you want an input parameter located in the layout grid when there are multiple input parameters.

Input Arguments

<code>input_param</code>	The input parameter object
<code>start_row</code>	A positive integer representing the first row that the input parameter occupies in the layout grid
<code>end_row</code>	A positive integer representing the last row that the input parameter occupies in the layout grid

Examples

```
inputParam2 = ModelAdvisor.InputParameter;  
inputParam2.Name = 'Standard font size';  
inputParam2.Value='12';  
inputParam2.Type='String';  
inputParam2.Description='sample tooltip';  
inputParam2.setRowSpan([2 2]);  
inputParam2.setColSpan([1 1]);
```

setSubBar

Add line between subcheck results

Syntax

```
setSubBar(ft_obj, value)
```

Description

`setSubBar(ft_obj, value)` is an optional method that adds lines between results for subchecks. *ft_obj* is a handle to a template object. *value* is a boolean value that specifies when the Model Advisor includes a line between subchecks in the check results. By default, the value is `true`, and the Model Advisor displays the bar. The Model Advisor does not display the bar when you set the value to `false`.

Examples

Create a list object, `ft`, turn off the subbar:

```
ft = ModelAdvisor.FormatTemplate('ListTemplate');  
setSubBar(ft, false);
```

See Also

“Customize the Configuration of the Model Advisor Overview”

Topics

“Create Model Advisor Checks”

setSubResultStatus

Add status to the check or subcheck result

Syntax

```
setSubResultStatus(ft_obj, 'status')
```

Description

`setSubResultStatus(ft_obj, 'status')` is an optional method that displays the status in the result. Use this method to display the status of the check or subcheck in the result. *ft_obj* is a handle to a template object. *status* is a character vector identifying the status of the check:

Pass: Check did not identify issues.

D-Pass: Dependent on configuration parameter. Check did not identify issues.

Warn: Check has identified issues.

Fail: Check fails to execute.

Examples

This example shows how to create a callback function for a custom check that finds and reports optimization settings. The check consists of two subchecks. The first reviews the **Block reduction** optimization setting and the second reviews the **Conditional input branch execution** optimization setting.

A check with subchecks includes the following items in the results:

- A description of what the overall check is reviewing.
- A title for the subcheck.
- A description of what the subcheck is reviewing.
- References to standards, if applicable.
- The status of the subcheck.
- A description of the status.
- Results for the subcheck.
- Recommended actions to take when the subcheck does not pass.
- A line between the subcheck results.

```
% Sample Check 3 Callback Function: Check with Subchecks and Actions
% Find and report optimization settings
function ResultDescription = OptimizationSettingCallback(system)
% Initialize variables
system = getfullname(system);
mdladvObj = Simulink.ModelAdvisor.getModelAdvisor(system);
mdladvObj.setCheckResultStatus(false); % Default check status is 'Warning'
ResultDescription = {};

% Format results in a list using Model Advisor Result Template API
% Create a list template object for first subcheck
ft1 = ModelAdvisor.FormatTemplate('ListTemplate');

% Description of check in results
setCheckText(ft1, 'Check optimization settings');
```

```

% Title and description of first subcheck
setSubTitle(ft1,'Verify Block reduction optimization setting');
setInformation(ft1,['Check to confirm that the Block reduction ' ...
                  'check box is cleared.']);
% Add See Also section with references to applicable standards
docLinks{1} = {'Reference D0331 Section MB.6.3.4.e - Source code ' ...
              'is traceable to low-level requirements'}};
% Review 'Block reduction' optimization
setRefLink(ft1,docLinks);
if strcmp(get_param(system,'BlockReduction'),'off')
    % 'Block reduction' is cleared
    % Set subresult status to 'Pass' and display text describing the status
    setSubResultStatus(ft1,'Pass');
    setSubResultStatusText(ft1,['The ''Block reduction'' ' ...
                              'check box is cleared.']);
    ResultStatus = true;
else
    % 'Block reduction' is selected
    % Set subresult status to 'Warning' and display text describing the status
    setSubResultStatus(ft1,'Warn');
    setSubResultStatusText(ft1,['The Block reduction ' ...
                              'check box is selected.']);
    setRecAction(ft1,['Clear the ''Optimization > Block reduction'' ' ...
                    'check box in the Configuration Parameters dialog box.']);
    ResultStatus = false;
end

ResultDescription{end+1} = ft1;

% Title and description of second subcheck
ft2 = ModelAdvisor.FormatTemplate('ListTemplate');
setSubTitle(ft2,'Verify Conditional input branch execution setting');
setInformation(ft2,['Check to confirm that the ''Conditional input branch ' ...
                  'execution'' check box is cleared.'])
% Add See Also section and references to applicable standards
docLinks{1} = {'Reference D0331 Section MB.6.4.4.2 - Test coverage ' ...
              'of software structure is achieved'}};
setRefLink(ft2,docLinks);

% Last subcheck, suppress line
setSubBar(ft2,0);

% Check status of the 'Conditional input branch execution' check box
if strcmp(get_param(system,'ConditionallyExecuteInputs'),'off')
    % The 'Conditional input branch execution' check box is cleared
    % Set subresult status to 'Pass' and display text describing the status
    setSubResultStatus(ft2,'Pass');
    setSubResultStatusText(ft2,['The ''Conditional input branch ' ...
                              'execution'' check box is cleared.']);
else
    % 'Conditional input branch execution' is selected
    % Set subresult status to 'Warning' and display text describing the status
    setSubResultStatus(ft2,'Warn');
    setSubResultStatusText(ft2,['The ''Conditional input branch ' ...
                              'execution'' check box is selected.']);
    setRecAction(ft2,['Clear the ''Optimization > Conditional input branch ' ...
                    'execution'' check box in the Configuration Parameters dialog box.']);
    ResultStatus = false;
end

ResultDescription{end+1} = ft2; % Pass list template object to Model Advisor
mdladvObj.setCheckResultStatus(ResultStatus); % Set overall check status
% Enable Modify Settings button when check fails
mdladvObj.setActionEnable(~ResultStatus);

```

See Also

Topics

“Define Custom Model Advisor Checks”

“Create Model Advisor Checks”

“Customize the Configuration of the Model Advisor Overview”

setSubResultStatusText

Add text below status in result

Syntax

```
setSubResultStatusText(ft_obj, message)
```

Description

`setSubResultStatusText(ft_obj, message)` is an optional method that displays text below the status in the result. Use this method to describe the status.

Input Arguments

ft_obj

A handle to a template object.

message

A character vector or a handle to a formatting object that the Model Advisor displays below the status in the report.

Valid formatting objects are: `ModelAdvisor.Image`, `ModelAdvisor.LineBreak`, `ModelAdvisor.List`, `ModelAdvisor.Paragraph`, `ModelAdvisor.Table`, and `ModelAdvisor.Text`.

Examples

This example shows how to create a callback function for a custom check that finds and reports optimization settings. The check consists of two subchecks. The first reviews the **Block reduction** optimization setting and the second reviews the **Conditional input branch execution** optimization setting.

A check with subchecks includes the following items in the results:

- A description of what the overall check is reviewing.
- A title for the subcheck.
- A description of what the subcheck is reviewing.
- References to standards, if applicable.
- The status of the subcheck.
- A description of the status.
- Results for the subcheck.
- Recommended actions to take when the subcheck does not pass.
- A line between the subcheck results.

```
% Sample Check 3 Callback Function: Check with Subchecks and Actions
% Find and report optimization settings
```

```

function ResultDescription = OptimizationSettingCallback(system)
% Initialize variables
system = getfullname(system);
mdladvObj = Simulink.ModelAdvisor.getModelAdvisor(system);
mdladvObj.setCheckResultStatus(false); % Default check status is 'Warning'
ResultDescription = {};

% Format results in a list using Model Advisor Result Template API
% Create a list template object for first subcheck
ft1 = ModelAdvisor.FormatTemplate('ListTemplate');

% Description of check in results
setCheckText(ft1,'Check optimization settings');

% Title and description of first subcheck
setSubTitle(ft1,'Verify Block reduction optimization setting');
setInformation(ft1,['Check to confirm that the Block reduction ' ...
                  'check box is cleared.']);
% Add See Also section with references to applicable standards
docLinks{1} = [{'Reference D0331 Section MB.6.3.4.e - Source code ' ...
               'is traceable to low-level requirements'}];
% Review 'Block reduction' optimization
setRefLink(ft1,docLinks);
if strcmp(get_param(system,'BlockReduction'),'off')
    % 'Block reduction' is cleared
    % Set subresult status to 'Pass' and display text describing the status
    setSubResultStatus(ft1,'Pass');
    setSubResultStatusText(ft1,['The ''Block reduction'' ' ...
                              'check box is cleared.']);
    ResultStatus = true;
else
    % 'Block reduction' is selected
    % Set subresult status to 'Warning' and display text describing the status
    setSubResultStatus(ft1,'Warn');
    setSubResultStatusText(ft1,['The Block reduction ' ...
                              'check box is selected.']);
    setRecAction(ft1,['Clear the ''Optimization > Block reduction'' ...
                    'check box in the Configuration Parameters dialog box.']);
    ResultStatus = false;
end

ResultDescription{end+1} = ft1;

% Title and description of second subcheck
ft2 = ModelAdvisor.FormatTemplate('ListTemplate');
setSubTitle(ft2,'Verify Conditional input branch execution setting');
setInformation(ft2,['Check to confirm that the ''Conditional input branch ' ...
                  'execution'' check box is cleared.'])
% Add See Also section and references to applicable standards
docLinks{1} = [{'Reference D0331 Section MB.6.4.4.2 - Test coverage ' ...
               'of software structure is achieved'}];
setRefLink(ft2,docLinks);

% Last subcheck, suppress line
setSubBar(ft2,0);

% Check status of the 'Conditional input branch execution' check box
if strcmp(get_param(system,'ConditionallyExecuteInputs'),'off')
    % The 'Conditional input branch execution' check box is cleared
    % Set subresult status to 'Pass' and display text describing the status
    setSubResultStatus(ft2,'Pass');
    setSubResultStatusText(ft2,['The ''Conditional input branch ' ...
                              'execution'' check box is cleared.']);
else
    % 'Conditional input branch execution' is selected
    % Set subresult status to 'Warning' and display text describing the status
    setSubResultStatus(ft2,'Warn');
    setSubResultStatusText(ft2,['The ''Conditional input branch ' ...
                              'execution'' check box is selected.']);
    setRecAction(ft2,['Clear the ''Optimization > Conditional input branch ' ...
                    'execution'' check box in the Configuration Parameters dialog box.']);
    ResultStatus = false;
end

ResultDescription{end+1} = ft2; % Pass list template object to Model Advisor
mdladvObj.setCheckResultStatus(ResultStatus); % Set overall check status
% Enable Modify Settings button when check fails
mdladvObj.setActionEnable(~ResultStatus);

```

See Also

“Customize the Configuration of the Model Advisor Overview”

Topics

“Display and Enable Check”

setSubscript

Specify subscripted text

Syntax

```
setSubscript(text, mode)
```

Description

`setSubscript(text, mode)` indicates whether to make `text` subscript.

Input Arguments

<code>text</code>	Instantiation of the <code>ModelAdvisor.Text</code> class
<code>mode</code>	A Boolean value indicating subscripted formatting of text: <ul style="list-style-type: none">• <code>true</code> — Make the text subscript.• <code>false</code> — Do not make the text subscript.

Examples

```
t1 = ModelAdvisor.Text('This is some text');  
setSubscript(t1, 'true');
```

See Also

“Customize the Configuration of the Model Advisor Overview”

Topics

“Create Model Advisor Checks”

setSuperscript

Specify superscripted text

Syntax

```
setSuperscript(text, mode)
```

Description

`setSuperscript(text, mode)` indicates whether to make text superscript.

Input Arguments

<code>text</code>	Instantiation of the <code>ModelAdvisor.Text</code> class
<code>mode</code>	A Boolean value indicating superscripted formatting of text: <ul style="list-style-type: none">• <code>true</code> — Make the text superscript.• <code>false</code> — Do not make the text superscript.

Examples

```
t1 = ModelAdvisor.Text('This is some text');  
setSuperscript(t1, 'true');
```

See Also

“Customize the Configuration of the Model Advisor Overview”

Topics

“Create Model Advisor Checks”

setSubTitle

Add title for subcheck in result

Syntax

```
setSubTitle(ft_obj, title)
```

Description

`setSubTitle(ft_obj, title)` is an optional method that adds a subcheck result title. Use this method when you create subchecks to distinguish between them in the result.

Input Arguments

ft_obj

A handle to a template object.

title

A character vector or a handle to a formatting object specifying the title of the subcheck.

Valid formatting objects are: `ModelAdvisor.Image`, `ModelAdvisor.LineBreak`, `ModelAdvisor.List`, `ModelAdvisor.Paragraph`, `ModelAdvisor.Table`, and `ModelAdvisor.Text`.

Examples

This example shows how to create a callback function for a custom check that finds and reports optimization settings. The check consists of two subchecks. The first reviews the **Block reduction** optimization setting and the second reviews the **Conditional input branch execution** optimization setting.

A check with subchecks includes the following items in the results:

- A description of what the overall check is reviewing.
- A title for the subcheck.
- A description of what the subcheck is reviewing.
- References to standards, if applicable.
- The status of the subcheck.
- A description of the status.
- Results for the subcheck.
- Recommended actions to take when the subcheck does not pass.
- A line between the subcheck results.

```
% Sample Check 3 Callback Function: Check with Subchecks and Actions  
% Find and report optimization settings
```

```

function ResultDescription = OptimizationSettingCallback(system)
% Initialize variables
system = getfullname(system);
mdladvObj = Simulink.ModelAdvisor.getModelAdvisor(system);
mdladvObj.setCheckResultStatus(false); % Default check status is 'Warning'
ResultDescription = {};

% Format results in a list using Model Advisor Result Template API
% Create a list template object for first subcheck
ft1 = ModelAdvisor.FormatTemplate('ListTemplate');

% Description of check in results
setCheckText(ft1,'Check optimization settings');

% Title and description of first subcheck
setSubTitle(ft1,'Verify Block reduction optimization setting');
setInformation(ft1,['Check to confirm that the Block reduction ' ...
                  'check box is cleared.']);
% Add See Also section with references to applicable standards
docLinks{1} = [{'Reference D0331 Section MB.6.3.4.e - Source code ' ...
               'is traceable to low-level requirements'}];
% Review 'Block reduction' optimization
setRefLink(ft1,docLinks);
if strcmp(get_param(system,'BlockReduction'),'off')
    % 'Block reduction' is cleared
    % Set subresult status to 'Pass' and display text describing the status
    setSubResultStatus(ft1,'Pass');
    setSubResultStatusText(ft1,['The ''Block reduction'' ' ...
                              'check box is cleared.']);
    ResultStatus = true;
else
    % 'Block reduction' is selected
    % Set subresult status to 'Warning' and display text describing the status
    setSubResultStatus(ft1,'Warn');
    setSubResultStatusText(ft1,['The Block reduction ' ...
                              'check box is selected.']);
    setRecAction(ft1,['Clear the ''Optimization > Block reduction'' ...
                    'check box in the Configuration Parameters dialog box.']);
    ResultStatus = false;
end

ResultDescription{end+1} = ft1;

% Title and description of second subcheck
ft2 = ModelAdvisor.FormatTemplate('ListTemplate');
setSubTitle(ft2,'Verify Conditional input branch execution setting');
setInformation(ft2,['Check to confirm that the ''Conditional input branch ' ...
                  'execution'' check box is cleared.'])
% Add See Also section and references to applicable standards
docLinks{1} = [{'Reference D0331 Section MB.6.4.4.2 - Test coverage ' ...
               'of software structure is achieved'}];
setRefLink(ft2,docLinks);

% Last subcheck, suppress line
setSubBar(ft2,0);

% Check status of the 'Conditional input branch execution' check box
if strcmp(get_param(system,'ConditionallyExecuteInputs'),'off')
    % The 'Conditional input branch execution' check box is cleared
    % Set subresult status to 'Pass' and display text describing the status
    setSubResultStatus(ft2,'Pass');
    setSubResultStatusText(ft2,['The ''Conditional input branch ' ...
                              'execution'' check box is cleared.']);
else
    % 'Conditional input branch execution' is selected
    % Set subresult status to 'Warning' and display text describing the status
    setSubResultStatus(ft2,'Warn');
    setSubResultStatusText(ft2,['The ''Conditional input branch ' ...
                              'execution'' check box is selected.']);
    setRecAction(ft2,['Clear the ''Optimization > Conditional input branch ' ...
                    'execution'' check box in the Configuration Parameters dialog box.']);
    ResultStatus = false;
end

ResultDescription{end+1} = ft2; % Pass list template object to Model Advisor
mdladvObj.setCheckResultStatus(ResultStatus); % Set overall check status
% Enable Modify Settings button when check fails
mdladvObj.setActionEnable(~ResultStatus);

```

See Also

“Customize the Configuration of the Model Advisor Overview”

Topics

“Create Model Advisor Checks”

setTableInfo

Add data to table

Syntax

```
setTableInfo(ft_obj, {data})
```

Description

`setTableInfo(ft_obj, {data})` is an optional method that creates a table. *ft_obj* is a handle to a table template object. *data* is a cell array of character vectors or objects specifying the information in the body of the table. The Model Advisor creates hyperlinks to objects. If you do not add data to the table, the Model Advisor does not display the table in the result.

Note Before creating a table, you must specify column titles using the `setColTitle` method.

Examples

Create a table object, `ft`, add column titles, and add data to the table:

```
ft = ModelAdvisor.FormatTemplate('TableTemplate');  
setColTitle(ft, {'Index', 'Block Name'});  
setTableInfo(ft, {'1', 'Gain'});
```

See Also

“Customize the Configuration of the Model Advisor Overview”

Topics

“Create Model Advisor Checks”

setTableTitle

Add title to table in Model Advisor analysis results

Syntax

```
setTableTitle(ftObj,titleText)
```

Description

`setTableTitle(ftObj,titleText)` adds the title specified by `titleText` to the template object `ftObj`. The template object formats the Model Advisor analysis results.

Note The function `setTableTitle` is for formatting Model Advisor analysis results with Simulink Check. For more information, see “Simulink Check”.

For information on how to use tables in MATLAB, see “Create Tables and Assign Data to Them”.

Examples

Add a Title to a Table Template Object

Create a Model Advisor formatting template and add a table title.

Use `ModelAdvisor.FormatTemplate` to create a Model Advisor formatting template `ft` of type 'TableTemplate'.

```
ft = ModelAdvisor.FormatTemplate('TableTemplate');
```

Add a table title to the Model Advisor formatting template `ft`.

```
setTableTitle(ft, 'Title of the table');
```

Use `setTableTitle` in a check callback function in your `sl_customization` file to format your results. For an example of how to use `setTableTitle`, see “Format Model Advisor Results” on page 1-187.

For more information on how to format check results, see “Display and Enable Check”.

Input Arguments

ftObj — Template object

template object handle

Template object, specified as a handle to the template object.

titleText — Title text

character vector | formatting object handle

Title text specifying the title of the table, specified as a character vector or a handle to a valid formatting object.

Valid formatting objects:

- `ModelAdvisor.Image`
- `ModelAdvisor.LineBreak`
- `ModelAdvisor.List`
- `ModelAdvisor.Paragraph`
- `ModelAdvisor.Table`
- `ModelAdvisor.Text`

The title appears above the table. If you do not add data to the table, Model Advisor does not display the table or title in the result.

Example: 'Table of fonts and styles used in model'

See Also

`ModelAdvisor.FormatTemplate` | `setColTitles` | `setTableInfo`

Topics

"Define Custom Model Advisor Checks"

"Display and Enable Check"

"Format Model Advisor Results" on page 1-187

setType

Specify list type

Syntax

```
setType(list_obj, listType)
```

Description

`setType(list_obj, listType)` specifies the type of list the `ModelAdvisor.List` constructor creates.

Input Arguments

<code>list_obj</code>	Instantiation of the <code>ModelAdvisor.List</code> class
<code>listType</code>	Specifies the list type: <ul style="list-style-type: none">• numbered• bulleted

Examples

```
subList = ModelAdvisor.List();
subList.setType('numbered')
subList.addItem(ModelAdvisor.Text('Sub entry 1', {'pass','bold'}));
subList.addItem(ModelAdvisor.Text('Sub entry 2', {'pass','bold'}));
```

See Also

“Customize the Configuration of the Model Advisor Overview”

Topics

“Create Model Advisor Checks”

setUnderlined

Underline text

Syntax

```
setUnderlined(text, mode)
```

Description

`setUnderlined(text, mode)` indicates whether to underline text.

Input Arguments

<code>text</code>	Instantiation of the <code>ModelAdvisor.Text</code> class
<code>mode</code>	A Boolean value indicating underlined formatting of text: <ul style="list-style-type: none">• <code>true</code> — Underline the text.• <code>false</code> — Do not underline the text.

Examples

```
t1 = ModelAdvisor.Text('This is some text');  
setUnderlined(t1, 'true');
```

See Also

“Customize the Configuration of the Model Advisor Overview”

Topics

“Create Model Advisor Checks”

slmetric.Engine class

Package: slmetric

Collect metric data on models or model components

Description

Use a `slmetric.Engine` object to collect metric data on models by calling `execute`. Use `getMetrics` to access the metric data and return an array of `slmetric.metric.ResultCollection` objects. This metric data is persistent in the simulation cache folder. Future instantiations of the `slmetric.Engine` object for the same model can access the cached metric data without regenerating the metric data.

Construction

`metric_engine = slmetric.Engine()` creates a metric engine object.

Properties

AnalysisRoot — Name of root model or subsystem on which to collect metric data

character vector

Name of root model or subsystem on which to collect metric data, as specified by the `slmetric.Engine.setAnalysisRoot` method. This property is read-only.

AnalyzeLibraries — Collect metric data on library linked subsystems in the model

1 (default)

Specify if the metric engine analyzes library-linked subsystems in the root model, including libraries inside referenced models under the root. Metric analysis does not include linked blocks to Simulink built-in libraries. Set this parameter to `false` or `0` to not include libraries in the metric analysis.

Data Types: `logical`

ModelReferencesSimulationMode — Collect metric data on referenced models under the root model

`AllModes` (default) | `NormalModeOnly` | `None`

Specify if the metric engine analyzes referenced models in your root model. Choose from these values:

Value	Description
None	Metric engine does not collect metric data for referenced models.
NormalModeOnly	Metric engine collects metric data only for referenced models running in normal simulation mode.
AllModes	Metric engine collects metric data for referenced models running in normal and accelerated simulation modes.

Data Types: char

Methods

execute	Collect metric data
getAnalysisRootMetric	Get metric data for one metric for analysis root only
getErrorLog	Get error log
getMetricDistribution	Get metric distribution
getMetrics	Access model metric data
getStatistics	Get statistics on metric data
setAnalysisRoot	Specify model or subsystem for metric analysis
exportMetrics	Export model metrics
getMetricMetaInformation	Obtain metric metadata

Examples

Collect and Access Metric Data for One Metric

Collect and access model metric data for the model `sldemo_mdref_basic`.

Open the model.

```
openExample('sldemo_mdref_basic');
```

Create an `slmetric.Engine` object and set the root in the model for analysis.

```
metric_engine = slmetric.Engine();
```

```
% Include referenced models and libraries in the analysis,
%   these properties are on by default
metric_engine.ModelReferencesSimulationMode = 'AllModes';
metric_engine.AnalyzeLibraries = 1;
```

```
setAnalysisRoot(metric_engine, 'Root', 'sldemo_mdref_basic');
```

Collect model metric data

```
execute(metric_engine, 'mathworks.metrics.ExplicitIOCount');
```

Get the model metric data that returns an array of `slmetric.metric.ResultCollection` objects, `res_col`.

```
res_col = getMetrics(metric_engine, 'mathworks.metrics.ExplicitIOCount');
```

Display the results for the `mathworks.metrics.ExplicitIOCount` metric.

```
for n=1:length(res_col)
    if res_col(n).Status == 0
        result = res_col(n).Results;

        for m=1:length(result)
            disp(['MetricID: ', result(m).MetricID]);
            disp([' ComponentPath: ', result(m).ComponentPath]);
            disp([' Value: ', num2str(result(m).Value)]);
            disp([' AggregatedValue: ', num2str(result(m).AggregatedValue)]);
            disp([' Measures: ', num2str(result(m).Measures)]);
        end
    end
end
```

```
        disp([' AggregatedMeasures: ', num2str(result(m).AggregatedMeasures)]);
    end
else
    disp(['No results for:', result(n).MetricID]);
end
disp(' ');
end
```

Here are the results:

```
MetricID: mathworks.metrics.ExplicitIOCount
ComponentPath: sldemo_mdref_basic
Value: 3
AggregatedValue: 4
Measures: 0 3
AggregatedMeasures: 3 3
MetricID: mathworks.metrics.ExplicitIOCount
ComponentPath: sldemo_mdref_basic/More Info
Value: 0
AggregatedValue: 0
Measures: 0 0
AggregatedMeasures: 0 0
MetricID: mathworks.metrics.ExplicitIOCount
ComponentPath: sldemo_mdref_counter
Value: 4
AggregatedValue: 4
Measures: 3 1
AggregatedMeasures: 3 1
```

For the `ComponentPath: sldemo_mdref_basic`, the value is 3 because there are 3 outputs. The three outputs are in the second element of the `Measures` array. The `slmetric.metric.AggregationMode` is `Max`, so the `AggregatedValue` is 4 which is the number of inputs and outputs to `sldemo_mdref_counter`. The `AggregatedMeasures` array contains the maximum number of inputs and outputs for a component or subcomponent.

See Also

`slmetric.metric.Result` | `slmetric.metric.ResultCollection` |
`slmetric.metric.getAvailableMetrics`

Topics

“Collect Model Metrics Programmatically”
“Model Metrics” on page 2-289

Introduced in R2016a

slmetric.metric.getAvailableMetrics

Package: slmetric.metric

Obtain available metrics

Syntax

```
IDs = slmetric.metric.getAvailableMetrics()
[IDs,props] = slmetric.metric.getAvailableMetrics()
```

Description

`IDs = slmetric.metric.getAvailableMetrics()` get metric identifiers for available metrics in the metric engine.

`[IDs,props] = slmetric.metric.getAvailableMetrics()` get metric identifiers and properties.

Examples

Obtain Available Metric IDs for Model

This example shows how to obtain the available model metric IDs.

```
ID = slmetric.metric.getAvailableMetrics()
```

ID =

26×1 cell array

```
{'mathworks.metrics.CloneContent' }
{'mathworks.metrics.CloneDetection' }
{'mathworks.metrics.CyclomaticComplexity' }
{'mathworks.metrics.DescriptiveBlockNames' }
{'mathworks.metrics.DiagnosticWarningsCount' }
{'mathworks.metrics.ExplicitIOCount' }
{'mathworks.metrics.FileCount' }
{'mathworks.metrics.IOCount' }
{'mathworks.metrics.LayerSeparation' }
{'mathworks.metrics.LibraryContent' }
{'mathworks.metrics.LibraryLinkCount' }
{'mathworks.metrics.MatlabCodeAnalyzerWarnings' }
{'mathworks.metrics.MatlabFunctionCount' }
{'mathworks.metrics.MatlabLOCCount' }
{'mathworks.metrics.ModelAdvisorCheckCompliance.hisl_do178' }
{'mathworks.metrics.ModelAdvisorCheckCompliance.maab' }
{'mathworks.metrics.ModelAdvisorCheckIssues.hisl_do178' }
{'mathworks.metrics.ModelAdvisorCheckIssues.maab' }
{'mathworks.metrics.ModelFileCount' }
{'mathworks.metrics.ParameterCount' }
{'mathworks.metrics.SimulinkBlockCount' }
```

```

    {'mathworks.metrics.StateflowChartCount'           }
    {'mathworks.metrics.StateflowChartObjectCount'    }
    {'mathworks.metrics.StateflowLOCCount'            }
    {'mathworks.metrics.SubSystemCount'               }
    {'mathworks.metrics.SubSystemDepth'               }

```

Obtain Available Metric IDs and Metric Properties

This example shows how to obtain the available model metric properties.

```
[ID, PROPS]=slmetric.metric.getAvailableMetrics()
```

ID =

26×1 cell array

```

    {'mathworks.metrics.CloneContent'                 }
    {'mathworks.metrics.CloneDetection'               }
    {'mathworks.metrics.CyclomaticComplexity'         }
    {'mathworks.metrics.DescriptiveBlockNames'        }
    {'mathworks.metrics.DiagnosticWarningsCount'     }
    {'mathworks.metrics.ExplicitIOCount'              }
    {'mathworks.metrics.FileCount'                   }
    {'mathworks.metrics.IOCount'                     }
    {'mathworks.metrics.LayerSeparation'              }
    {'mathworks.metrics.LibraryContent'               }
    {'mathworks.metrics.LibraryLinkCount'            }
    {'mathworks.metrics.MatlabCodeAnalyzerWarnings'  }
    {'mathworks.metrics.MatlabFunctionCount'         }
    {'mathworks.metrics.MatlabLOCCount'              }
    {'mathworks.metrics.ModelAdvisorCheckCompliance.hisl_do178'}
    {'mathworks.metrics.ModelAdvisorCheckCompliance.maab'}
    {'mathworks.metrics.ModelAdvisorCheckIssues.hisl_do178'}
    {'mathworks.metrics.ModelAdvisorCheckIssues.maab'}
    {'mathworks.metrics.ModelFileCount'              }
    {'mathworks.metrics.ParameterCount'              }
    {'mathworks.metrics.SimulinkBlockCount'          }
    {'mathworks.metrics.StateflowChartCount'         }
    {'mathworks.metrics.StateflowChartObjectCount'   }
    {'mathworks.metrics.StateflowLOCCount'           }
    {'mathworks.metrics.SubSystemCount'              }
    {'mathworks.metrics.SubSystemDepth'              }

```

PROPS =

1×26 struct array with fields:

```

    Name
    Description

```

IsBuiltIn
Version

Output Arguments

IDs — Metric identifiers

cell array of character vectors

Metric identifiers in the metric engine.

props — Metric properties

structure array

Metric properties, returned as a structure array with the following fields:

Name	Name of the metric algorithm.
Description	Description of the metric algorithm.
IsBuiltIn	Boolean indicating if the metric is included with Simulink Check.
Version	Metric algorithm version.

Data Types: struct

See Also

slmetric.Engine | slmetric.metric.Result | slmetric.metric.ResultCollection

Introduced in R2016a

slmetric.metric.Result

Metric data for specified model component and metric algorithm

Description

An `slmetric.metric.Result` object contains the metric data for a specified model component and metric algorithm.

Creation

Syntax

```
metric_result = slmetric.metric.Result
```

Description

`metric_result = slmetric.metric.Result` creates a handle to a metric results object.

Alternatively, if you collect results in an `slmetric.metric.ResultCollection` object, the `Results` property of the collection object returns the collected `slmetric.metric.Result` objects in an array.

Properties

ID — Numeric identifier

integer

This property is read-only.

Unique numeric identifier for the metric result object, returned as an integer.

Data Types: `uint64`

ComponentID — Component identifier

character vector

Unique identifier of the component object for which the metric is calculated, specified as a character vector. Use `ComponentID` to trace the generated result object to the analyzed component. Set the `ComponentID` or `ComponentPath` properties by using the `algorithm` method.

Example: `'sldemo_mdref_basic'`

Data Types: `char`

ComponentPath — Component path

character vector

Component path for which metric is calculated, specified as a character vector. Use `ComponentPath` as an alternative to setting the `ComponentID` property. The metric engine converts the

ComponentPath to a ComponentID. Set the ComponentID or ComponentPath properties by using the `algorithm` method.

Example: `'vdp/More Info/Model Info/EmptySubsystem'`

Data Types: `char`

MetricID — Metric identifier

character vector

Metric identifier for “Model Metrics” on page 2-289 or custom model metrics that you create, specified as a character vector. You can get metric identifiers by calling `slmetric.metric.getAvailableMetrics`.

Example: `'mathworks.metrics.SimulinkBlockCount'`

Data Types: `char`

Value — Metric value

double

Metric scalar value generated by the algorithm for the metric specified by `MetricID` and the component specified by `ComponentID`, specified as a double.

If the algorithm does not specify a metric scalar value, the value of `Value` is NaN. For example, suppose you collect metric data for a model that contains a Stateflow Chart. For the `StateflowChartObjectCount` metric, the `Value` property of the model `slmetric.metric.Result` object is NaN because the model itself cannot have Stateflow objects. The `AggregatedValue` property of the model `slmetric.metric.Result` object contains the total number of Stateflow objects in the chart.

Data Types: `double`

AggregatedValue — Aggregated metric value

double

This property is read-only.

Metric value aggregated across the model hierarchy, returned as a double. The metric engine implicitly aggregates the metric values based on the `AggregationMode`. If the `Value` property is NaN for all components, the `AggregatedValue` is zero.

Data Types: `double`

Measures — Metric measures

double array

Metric measures, specified by the metric algorithm, specified as a double array. Metric measures contain detailed information about the metric value. For example, for a metric that counts the number of blocks per subsystem, you can specify measures that contain the number of virtual and nonvirtual blocks. The metric value is the sum of the virtual and nonvirtual block count.

Set this property by using the `slmetric.metric.Metric.algorithm` method.

Data Types: `double`

AggregatedMeasures — Aggregated metric measures

double array

This property is read-only.

Metric measures value aggregated across the model hierarchy, returned as a double array. The metric engine implicitly aggregates the metric measure values based on the `AggregationMode`.

Data Types: double

Details — Metric result details

array of `slmetric.metric.ResultDetail` objects

Details about what the metric engine counts for the `Value` property, specified as an array of `slmetric.metric.ResultDetail` objects.

Category — Metric data category based on thresholding criteria

'Compliant' | 'NonCompliant' | 'Warning' | 'Uncategorized'

This property is read-only.

Metric data category, returned as one of these four categories:

- Compliant — Metric data that is in an acceptable range.
- Warning — Metric data that requires review.
- NonCompliant — Metric data that requires you to modify your model.
- Uncategorized — Metric data that does not have threshold values set.

Classifications — Metric data category and thresholding criteria

`slmetric.config.ResultClassification` object

Metric data category and the ranges that correspond to each category, specified as an `slmetric.config.ResultClassification` object. This property is empty if no threshold values are set.

UserData — User data

character vector

User data optionally provided by the metric algorithm, specified as a character vector.

Data Types: char

Examples

Collect and Access Metric Data for One Metric

This example shows how to collect and access metric data for the model `sldemo_mdref_basic`.

Open the `sldemo_mdref_basic` model.

```
open_system('sldemo_mdref_basic');
```

Create an `slmetric.Engine` object and set the root in the model for analysis.

```
metric_engine = slmetric.Engine();
```

```
% Include referenced models and libraries in the analysis,
```

```

% these properties are on by default
metric_engine.ModelReferencesSimulationMode = 'AllModes';
metric_engine.AnalyzeLibraries = 1;

setAnalysisRoot(metric_engine, 'Root', 'sldemo_mdref_basic')

Collect model metric data.

execute(metric_engine, 'mathworks.metrics.ExplicitIOCount');

Return the model metric data as an array of slmetric.metric.ResultCollection objects and
assign it to res_col.

res_col = getMetrics(metric_engine, 'mathworks.metrics.ExplicitIOCount');

Display the results for the mathworks.metrics.ExplicitIOCount metric.

for n=1:length(res_col)
    if res_col(n).Status == 0
        result = res_col(n).Results;

        for m=1:length(result)
            disp(['MetricID: ', result(m).MetricID]);
            disp([' ComponentPath: ', result(m).ComponentPath]);
            disp([' Value: ', num2str(result(m).Value)]);
            disp([' AggregatedValue: ', num2str(result(m).AggregatedValue)]);
            disp([' Measures: ', num2str(result(m).Measures)]);
            disp([' AggregatedMeasures: ', num2str(result(m).AggregatedMeasures)]);
        end
    else
        disp(['No results for:', result(n).MetricID]);
    end
    disp(' ');
end

```

```
MetricID: mathworks.metrics.ExplicitIOCount
```

```
ComponentPath: sldemo_mdref_basic
```

```
Value: 3
```

```
AggregatedValue: 4
```

```
Measures: 0 3
```

```
AggregatedMeasures: 3 3
```

```
MetricID: mathworks.metrics.ExplicitIOCount
```

```
ComponentPath: sldemo_mdref_counter
```

```
Value: 4
```

```
AggregatedValue: 4
```

```
Measures: 3 1
```

```
AggregatedMeasures: 3 1
```

For ComponentPath: `sldemo_mdhref_basic`, the value is 3 because there are three outputs. The three outputs are in the second element of the `Measures` array. The `slmetric.metric.AggregationMode` is `Max`, so the `AggregatedValue` is 4, which is the number of inputs and outputs to `sldemo_mdhref_counter`. The `AggregatedMeasures` array contains the maximum number of inputs and outputs for a component or subcomponent.

See Also

`slmetric.Engine` | `slmetric.metric.Metric` | `slmetric.metric.ResultCollection`

Topics

“Collect Model Metrics Programmatically”

“Model Metrics” on page 2-289

Introduced in R2016a

slmetric.metric.ResultCollection

Metric data for specified model metric

Description

An `slmetric.metric.ResultCollection` object contains the metric data for a specific model metric.

Creation

To create an `slmetric.metric.ResultCollection` object, use `getMetrics` on an `slmetric.Engine` object. `getMetrics` returns an array of result collection objects for all metrics that the metric engine executed.

Properties

MetricID — Metric identifier

character vector

Metric identifier for a MathWorks metric or a custom metric, specified as a character vector. You can get metric identifiers by calling `slmetric.metric.getAvailableMetrics`.

Example: `'mathworks.metrics.SimulinkBlockCount'`

Status — Metric execution status

integer

This property is read-only.

Status code of the metric execution, returned as an integer.

Integer	Status
1	No result. The metric algorithm is not applicable to the analyzed system. The components analyzed by the metric were not found, or the metric has a compile requirement cannot be executed on the library model.
0	Result collected.
-1	No result. Error executing metric.
-2	No result available from previous run.
-3	No result. Compilation error.
-4	Empty result. Missing prerequisite.

Category — Metric data category based on thresholding criteria

'Compliant' | 'NonCompliant' | 'Warning' | 'Uncategorized'

This property is read-only.

Metric data category, returned as one of these four categories:

- **Compliant** — Metric data that is in an acceptable range.
- **Warning** — Metric data that requires review.
- **NonCompliant** — Metric data that requires you to modify your model.
- **Uncategorized** — Metric data that has no threshold values.

If at least one component is **NonCompliant**, this property returns **NonCompliant**. If at least one component is **Warning** and no components are **NonCompliant**, this property returns **Warning**. If all components are **Compliant**, this property returns **Compliant**.

Outdated — Determine if metric data is current

logical

This property is read-only.

Whether metric data is current, returned as `true` or `false`. If `true`, the metric data is out-of-date because the model or source files have changed.

Results — Metric data collected for executing one or more metrics

array of `slmetric.metric.Result` objects

This property is read-only.

Metric data collected when you call the `execute` method for one or more metrics, returned as an array of `slmetric.metric.Result` objects.

Examples

Collect and Access Metric Data for One Metric

This example shows how to collect and access metric data for the model `sldemo_mdhref_basic`.

Open the `sldemo_mdhref_basic` model.

```
open_system('sldemo_mdhref_basic');
```

Create an `slmetric.Engine` object and set the root in the model for analysis.

```
metric_engine = slmetric.Engine();
```

```
% Include referenced models and libraries in the analysis,  
% these properties are on by default  
metric_engine.ModelReferencesSimulationMode = 'AllModes';  
metric_engine.AnalyzeLibraries = 1;
```

```
setAnalysisRoot(metric_engine, 'Root', 'sldemo_mdhref_basic')
```

Collect model metric data.

```
execute(metric_engine, 'mathworks.metrics.ExplicitIOCount');
```

Return the model metric data as an array of `slmetric.metric.ResultCollection` objects and assign it to `res_col`.

```
res_col = getMetrics(metric_engine, 'mathworks.metrics.ExplicitIOCount');
```

Display the results for the `mathworks.metrics.ExplicitIOCount` metric.

```
for n=1:length(res_col)
    if res_col(n).Status == 0
        result = res_col(n).Results;

        for m=1:length(result)
            disp(['MetricID: ',result(m).MetricID]);
            disp([' ComponentPath: ',result(m).ComponentPath]);
            disp([' Value: ', num2str(result(m).Value)]);
            disp([' AggregatedValue: ', num2str(result(m).AggregatedValue)]);
            disp([' Measures: ', num2str(result(m).Measures)]);
            disp([' AggregatedMeasures: ', num2str(result(m).AggregatedMeasures)]);
        end
    else
        disp(['No results for:', result(n).MetricID]);
    end
    disp(' ');
end
```

```
MetricID: mathworks.metrics.ExplicitIOCount
```

```
ComponentPath: sldemo_mdref_basic
```

```
Value: 3
```

```
AggregatedValue: 4
```

```
Measures: 0 3
```

```
AggregatedMeasures: 3 3
```

```
MetricID: mathworks.metrics.ExplicitIOCount
```

```
ComponentPath: sldemo_mdref_counter
```

```
Value: 4
```

```
AggregatedValue: 4
```

```
Measures: 3 1
```

```
AggregatedMeasures: 3 1
```

For `ComponentPath: sldemo_mdref_basic`, the value is 3 because there are three outputs. The three outputs are in the second element of the `Measures` array. The `slmetric.metric.AggregationMode` is `Max`, so the `AggregatedValue` is 4, which is the number of inputs and outputs to `sldemo_mdref_counter`. The `AggregatedMeasures` array contains the maximum number of inputs and outputs for a component or subcomponent.

See Also

`slmetric.Engine` | `slmetric.metric.Result` | `slmetric.metric.getAvailableMetrics`

Introduced in R2016a

Attributes property

Class: ModelAdvisor.ListViewParameter

Package: ModelAdvisor

Attributes to display in Model Advisor Report Explorer

Values

Cell array

Default: {} (empty cell array)

Description

The `Attributes` property specifies the attributes to display in the center pane of the Model Advisor Results Explorer.

Examples

```
% define list view parameters
myLVParam = ModelAdvisor.ListViewParameter;
myLVParam.Name = 'Invalid font blocks'; % the name appeared at pull down filter
myLVParam.Data = get_param(searchResult,'object');
myLVParam.Attributes = {'FontName'}; % name is default property
```

CallbackContext property

Specify when to run check

Values

'PostCompileForCodegen'
'PostCompile'
'None' (default)

Description

The CallbackContext property specifies the context for checking the model or subsystem.

'None'	No special requirements for the model before checking.
'Postcompile'	The model is compiled and simulated. Use this option for checks that analyze simulated models.
'PostCompileForCodegen'	The model is compiled for code generation, but is not simulated. Use this option to check the code generation readiness of a model and to analyze both active and inactive variant paths. To analyze both active and inactive variants, you must set the System target file configuration parameter to <code>ert.tlc</code> . Note, this property value is not supported for custom edit-time checks.

CallbackHandle property

Callback function handle for check

Values

Function handle.

An empty handle [] is the default.

Description

The `CallbackHandle` property specifies the handle to the check callback function.

CallbackStyle property

Callback function type

Values

'DetailStyle' (recommended)
 'StyleOne' (default)
 'StyleTwo'
 'StyleThree'

Description

The `CallbackStyle` property specifies the type of the callback function.

The 'DetailStyle' check callback function is for detailed results collection. This type of callback function is the recommended one and enables you to use the default format of the Model Advisor report. The keyword for this callback function is `DetailStyle`. The check definition requires this keyword. With the default format, you do not have to use the `ModelAdvisor.FormatTemplate` class or the other Model Advisor Formatting APIs to format the results that appear in the Model Advisor. This style also allows you to view results by block, subsystem, or recommended action.

The detailed results collection callback function takes the following arguments.

Argument	I/O Type	Description
<code>system</code>	Input	Path to the model or subsystem analyzed by the Model Advisor.
<code>CheckObj</code>	Input	<code>ModelAdvisor.Check</code> object

To indicate whether a model has passed or failed the check, or to recommend fixing an issue using the Model Advisor Formatting APIs to format results, use the *simple check callback function*. The keyword for this callback function is `StyleOne`. The check definition requires this keyword.

The simple check callback function takes the following arguments.

Argument	I/O Type	Description
<code>system</code>	Input	Path to the model or subsystem analyzed by the Model Advisor.
<code>result</code>	Output	MATLAB character vector that supports Model Advisor Formatting API calls or embedded HTML tags for text formatting.

Use the *detailed check callback function* to return and organize results as strings in a layered, hierarchical fashion. The function provides two output arguments so you can associate text descriptions with one or more paragraphs of detailed information. The keyword for the detailed callback function is `StyleTwo`. The check definition requires this keyword.

The detailed callback function takes the following arguments.

Argument	I/O Type	Description
system	Input	Path to the model or system analyzed by the Model Advisor.
ResultDescription	Output	Cell array of MATLAB character vectors that supports Model Advisor Formatting API calls or embedded HTML tags for text formatting. The Model Advisor concatenates the ResultDescription character vector with the corresponding array of ResultDetails character vectors.
ResultDetails	Output	Cell array of cell arrays, each of which contains one or more character vectors. The ResultDetails cell array must be the same length as the ResultDescription cell array.

To automatically display hyperlinks for every object returned by the check, use the *callback function with hyperlinked results*. The keyword for this type of callback function is `StyleThree`. The check definition requires this keyword.

This callback function takes the following arguments.

Argument	I/O Type	Description
system	Input	Path to the model or system analyzed by the Model Advisor.
ResultDescription	Output	Cell array of MATLAB character vectors that supports the Model Advisor Formatting API calls or embedded HTML tags for text formatting.
ResultDetails	Output	Cell array of cell arrays, each of which contains one or more Simulink objects such as blocks, ports, lines, and Stateflow charts. The objects must be in the form of a handle or Simulink path. The ResultDetails cell array must be the same length as the ResultDescription cell array.

See Also

`ModelAdvisor.Check`

Topics

“Fix a Model to Comply with Conditions that You Specify with the Model Advisor”

“Create the Check Definition Function for a Pass/Fail Check with No Fix Action”

ErrorSeverity property

Set severity of check failure

Values

0
1

Description

The `ErrorSeverity` property is an integer value that specifies whether the check is marked as a warning or failure when the check flags an issue in your model. This property is the programmatic equivalent of using the **Check result when issues are flagged** options in the Model Advisor Configuration Editor.

0	Marks the check as a warning.
1	Marks the check as a failure.

Example

In this sample code for defining the properties of a custom check, the value for `ErrorSeverity` is "1". Therefore, if a violation of this check is flagged in a model, the check is marked as Fail in the results.

```
% Create ModelAdvisor.Check object and set properties.  
rec = ModelAdvisor.Check('com.mathworks.sample.detailStyle');  
rec.Title = 'Check whether block names appear below blocks';  
rec.TitleTips = 'Check position of block names';  
rec.setCallbackFcn(@DetailStyleCallback,'None','DetailStyle');  
rec.ErrorSeverity = 1;
```

EmitInputParametersToReport property

Display check input parameters in the Model Advisor report

Values

true (default)
false

Description

The EmitInputParametersToReport property specifies the display of check input parameters in the Model Advisor report.

true	Display check input parameters in the Model Advisor report
false	Do not display check input parameters in the Model Advisor report

Data property

Class: ModelAdvisor.ListViewParameter

Package: ModelAdvisor

Objects in Model Advisor Result Explorer

Values

Array of Simulink objects

Default: [] (empty array)

Description

The Data property specifies the objects displayed in the Model Advisor Result Explorer.

Examples

```
% define list view parameters
myLVParam = ModelAdvisor.ListViewParameter;
myLVParam.Name = 'Invalid font blocks'; % the name appeared at pull down filter
myLVParam.Data = get_param(searchResult,'object');
```


Description property

Class: ModelAdvisor.Action

Package: ModelAdvisor

Message in **Action** box

Values

Character vector

Default: ' ' (empty character vector)

Description

The Description property specifies the message displayed in the Action box.

Examples

```
% define action (fix) operation
myAction = ModelAdvisor.Action;
%Specify a callback function for the action
myAction.setCallbackFcn(@sampleActionCB);
myAction.Name='Fix block fonts';
myAction.Description=...
    'Click the button to update all blocks with specified font';
```

Description property

Class: ModelAdvisor.FactoryGroup

Package: ModelAdvisor

Description of folder

Values

Character vector

Default: '' (empty character vector)

Description

The Description property provides information about the folder. Details about the folder are displayed in the right pane of the Model Advisor.

Examples

```
% --- sample factory group
rec = ModelAdvisor.FactoryGroup('com.mathworks.sample.factorygroup');
rec.Description='Sample Factory Group';
```

Description property

Class: ModelAdvisor.Group

Package: ModelAdvisor

Description of folder

Values

Character vector

Default: '' (empty character vector)

Description

The Description property provides information about the folder. Details about the folder are displayed in the right pane of the Model Advisor.

Examples

```
MAG = ModelAdvisor.Group('com.mathworks.sample.GroupSample');  
MAG.Description='This is my group';
```

Description property

Class: ModelAdvisor.InputParameter

Package: ModelAdvisor

Description of input parameter

Values

Character vector.

Default: '' (empty character vector)

Description

The Description property specifies a description of the input parameter. Details about the check are displayed in the right pane of the Model Advisor.

Examples

```
% define input parameters
inputParam2 = ModelAdvisor.InputParameter;
inputParam2.Name = 'Standard font size';
inputParam2.Value='12';
inputParam2.Type='String';
inputParam2.Description='sample tooltip';
```

Description property

Class: ModelAdvisor.Task

Package: ModelAdvisor

Description of task

Values

Character vector

Default: '' (empty character vector)

Description

The Description property is a description of the task that the Model Advisor displays in the **Analysis** box.

When adding checks as tasks, the Model Advisor uses the task Description property instead of the check TitleTips property.

Examples

```
MAT1 = ModelAdvisor.Task('com.mathworks.sample.TaskSample1');  
MAT1.DisplayName='Example task 1';  
MAT1.Description='This is the first example task.'
```

```
MAT2 = ModelAdvisor.Task('com.mathworks.sample.TaskSample2');  
MAT2.DisplayName='Example task 2';  
MAT2.Description='This is the second example task.'
```

```
MAT3 = ModelAdvisor.Task('com.mathworks.sample.TaskSample3');  
MAT3.DisplayName='Example task 3';  
MAT3.Description='This is the third example task.'
```

DisplayName property

Class: ModelAdvisor.FactoryGroup

Package: ModelAdvisor

Name of folder

Values

Character vector

Default: ' ' (empty character vector)

Description

The `DisplayName` specifies the name of the folder that is displayed in the Model Advisor.

Examples

```
% --- sample factory group
rec = ModelAdvisor.FactoryGroup('com.mathworks.sample.factorygroup');
rec.DisplayName='Sample Factory Group';
```

DisplayName property

Class: ModelAdvisor.Group

Package: ModelAdvisor

Name of folder

Values

Character vector

Default: ' ' (empty character vector)

Description

The `DisplayName` specifies the name of the folder that is displayed in the Model Advisor.

Examples

```
MAG = ModelAdvisor.Group('com.mathworks.sample.GroupSample');  
MAG.DisplayName='My Group';
```

DisplayName property

Class: ModelAdvisor.Task

Package: ModelAdvisor

Name of task

Values

Character vector

Default: '' (empty character vector)

Description

The `DisplayName` property specifies the name of the task. The Model Advisor displays each custom task in the tree using the name of the task. Therefore, you should specify a unique name for each task. When you specify the same name for multiple tasks, the Model Advisor generates a warning.

When adding checks as tasks, the Model Advisor uses the task `DisplayName` property instead of the check `Title` property.

Examples

```
MAT1 = ModelAdvisor.Task('com.mathworks.sample.TaskSample1');  
MAT1.DisplayName='Example task with input parameter and auto-fix ability';
```

```
MAT2 = ModelAdvisor.Task('com.mathworks.sample.TaskSample2');  
MAT2.DisplayName='Example task 2';
```

```
MAT3 = ModelAdvisor.Task('com.mathworks.sample.TaskSample3');  
MAT3.DisplayName='Example task 3';
```


Enable property

Indicate whether user can enable or disable check

Values

true (default)
false

Description

The Enable property specifies whether the user can enable or disable the check.

true	Display the check box control
false	Hide the check box control

Enable property

Class: ModelAdvisor.Task

Package: ModelAdvisor

Indicate if user can enable and disable task

Values

true (default)

false

Description

The Enable property specifies whether the user can enable or disable a task.

true (default)

Display the check box control for task

false

Hide the check box control for task

When adding checks as tasks, the Model Advisor uses the task Enable property instead of the check Enable property.

Examples

```
MAT1 = ModelAdvisor.Task('com.mathworks.sample.TaskSample1');  
MAT1.Enable = false;
```

Entries property

Class: ModelAdvisor.InputParameter

Package: ModelAdvisor

Drop-down list entries

Values

Depends on the value of the Type property.

Description

The Entries property is valid only when the Type property is one of the following:

- Enum
- ComboBox
- PushButton

Examples

```
inputParam3 = ModelAdvisor.InputParameter;  
inputParam3.Name='Valid font';  
inputParam3.Type='Combobox';  
inputParam3.Description='sample tooltip';  
inputParam3.Entries={'Arial', 'Arial Black'};
```

ID property

Identifier for check

Values

Character vector

Default: '' (empty character vector)

Description

The ID property specifies a permanent, unique identifier for the check. Note the following about the ID property:

- You must specify this property.
- The value of ID must remain constant.
- The Model Advisor generates an error if ID is not unique.
- Tasks and factory group definitions must refer to checks by ID.

ID property

Class: ModelAdvisor.FactoryGroup

Package: ModelAdvisor

Identifier for folder

Values

Character vector

Description

The ID property specifies a permanent, unique identifier for the folder.

Note

- You must specify this field.
 - The value of ID must remain constant.
 - The Model Advisor generates an error if ID is not unique.
 - Group definitions must refer to other groups by ID.
-

ID property

Class: ModelAdvisor.Group

Package: ModelAdvisor

Identifier for folder

Values

Character vector

Description

The ID property specifies a permanent, unique identifier for the folder.

Note

- You must specify this field.
 - The value of ID must remain constant.
 - The Model Advisor generates an error if ID is not unique.
 - Group definitions must refer to other groups by ID.
-

ID property

Class: ModelAdvisor.Task

Package: ModelAdvisor

Identifier for task

Values

Character vector

Default: '' (empty character vector)

Description

The ID property specifies a permanent, unique identifier for the task.

Note

- The Model Advisor automatically assigns a unique identifier to ID if you do not specify it.
 - The value of ID must remain constant.
 - The Model Advisor generates an error if ID is not unique.
 - Group definitions must refer to tasks using ID.
-

Examples

```
MAT1 = ModelAdvisor.Task('com.mathworks.sample.TaskSample1');  
MAT1.ID='Task_ID_1234';
```

LicenseName property

Product license names required to display and run check

Values

Cell array of product license names
{ }(empty cell array) (default)

Description

The `LicenseName` property specifies a cell array of names for product licenses required to display and run the check.

When the Model Advisor starts, it tests whether the product license exists. If you do not meet the license requirements, the Model Advisor does not display the check.

The Model Advisor performs a checkout of the product licenses when you run the custom check. If you do not have the product licenses available, you see an error message that the required license is not available.

Tip To find the text for license strings, type `help license` at the MATLAB command line.

LicenseName property

Class: ModelAdvisor.Task

Package: ModelAdvisor

Product license names required to display and run task

Values

Cell array of product license names

Default: {} (empty cell array)

Description

The LicenseName property specifies a cell array of names for product licenses required to display and run the check.

When the Model Advisor starts, it tests whether the product license exists. If you do not meet the license requirements, the Model Advisor does not display the check.

The Model Advisor performs a checkout of the product licenses when you run the custom check. If you do not have the product licenses available, you see an error message that the required license is not available.

If you specify ModelAdvisor.Check.LicenseName, the Model Advisor displays the check when the union of both properties is true.

Tip To find the text for license strings, type `help license` at the MATLAB command line.

MAObj property

Class: ModelAdvisor.FactoryGroup

Package: ModelAdvisor

Model Advisor object

Values

Handle to a Simulink.ModelAdvisor object

Description

The MAObj property specifies a handle to the current Model Advisor object.

MAObj property

Class: ModelAdvisor.Group

Package: ModelAdvisor

Model Advisor object

Values

Handle to Simulink.ModelAdvisor object

Description

The MAObj property specifies a handle to the current Model Advisor object.

MAObj property

Class: ModelAdvisor.Task

Package: ModelAdvisor

Model Advisor object

Values

Handle to a Simulink.ModelAdvisor object

Description

The MAObj property specifies the current Model Advisor object.

When adding checks as tasks, the Model Advisor uses the task MAObj property instead of the check MAObj property.

Name property

Class: ModelAdvisor.Action

Package: ModelAdvisor

Action button label

Values

Character vector

Default: ' ' (empty character vector)

Description

The Name property specifies the label for the action button. This property is required.

Examples

```
% define action (fix) operation
myAction = ModelAdvisor.Action;
%Specify a callback function for the action
myAction.setCallbackFcn(@sampleActionCB);
myAction.Name='Fix block fonts';
```

Name property

Class: ModelAdvisor.InputParameter

Package: ModelAdvisor

Input parameter name

Values

Character vector.

Default: '' (empty character vector)

Description

The Name property specifies the name of the input parameter in the custom check.

Examples

```
inputParam2 = ModelAdvisor.InputParameter;  
inputParam2.Name = 'Standard font size';  
inputParam2.Value='12';  
inputParam2.Type='String';  
inputParam2.Description='sample tooltip';
```

Name property

Class: ModelAdvisor.ListViewParameter

Package: ModelAdvisor

Drop-down list entry

Values

Character vector

Default: ' ' (empty character vector)

Description

The Name property specifies an entry in the **Show** drop-down list in the Model Advisor Result Explorer.

Examples

```
% define list view parameters
myLVParam = ModelAdvisor.ListViewParameter;
myLVParam.Name = 'Invalid font blocks'; % the name appeared at pull down filter
```

Result property

Results cell array

Values

Cell array

Default: {} (empty cell array)

Description

The `Result` property specifies the cell array for storing the results that are returned by the callback function specified in `CallbackHandle`.

Tip To set the icon associated with the check, use the `Simulink.ModelAdvisor.setCheckResultStatus` and `setCheckErrorSeverity` methods.

SupportExclusion property

Set to support exclusions

Values

Boolean value specifying that the check supports exclusions.

`true`. The check supports exclusions.

`false` (default). The check does not support exclusions.

Description

The `SupportExclusion` property specifies whether the check supports exclusions.

<code>true</code>	Check supports exclusions.
<code>false</code>	Check does not support exclusions.

Examples

```
% specify that a check supports exclusions
rec = ModelAdvisor.Check('com.mathworks.sample.Check1');
rec.SupportExclusion = true;
```

SupportLibrary property

Set to support library models

Values

Boolean value specifying that the check supports library models.

`true`. The check supports library models.

`false` (default). The check does not support library models.

Description

The `SupportLibrary` property specifies whether the check supports library models.

`true` Check supports library models.

`false` Check does not support library models.

Examples

```
% specify that a check supports library models
rec = ModelAdvisor.Check('com.mathworks.sample.Check1');
rec.SupportLibrary = true;
```

Title property

Name of check

Values

Character vector

Default: '' (empty character vector)

Description

The `Title` property specifies the name of the check in the Model Advisor. The Model Advisor displays each custom check in the tree using the title of the check. Therefore, you should specify a unique title for each check. When you specify the same title for multiple checks, the Model Advisor generates a warning.

Examples

```
rec = ModelAdvisor.Check('com.mathworks.sample.Check1');  
rec.Title = 'Check Simulink block font';
```

TitleTips property

Description of check

Values

Character vector

Default: '' (empty character vector)

Description

The `TitleTips` property specifies a description of the check. Details about the check are displayed in the right pane of the Model Advisor.

Examples

```
rec = ModelAdvisor.Check('com.mathworks.sample.Check1');  
rec.Title = 'Check Simulink block font';  
rec.TitleTips = 'Example style three callback';
```

Type property

Class: ModelAdvisor.InputParameter

Package: ModelAdvisor

Input parameter type

Values

character vector

Default: ''

Description

The Type property specifies the type of input parameter.

Use the Type property with the Value and Entries properties to define input parameters.

Valid values are listed in the following table.

Type	Data Type	Default Value	Description
Bool	Boolean	false	A check box
ComboBox	Cell array	First entry in the list	A drop-down menu <ul style="list-style-type: none"> • Use Entries to define the entries in the list. • Use Value to indicate a specific entry in the menu or to enter a value not in the list.
Enum	Cell array	First entry in the list	A drop-down menu <ul style="list-style-type: none"> • Use Entries to define the entries in the list. • Use Value to indicate a specific entry in the list.
PushButton	N/A	N/A	A button <p>When you click the button, the callback function specified by Entries is called.</p>
String	Character vector	''	A text box

Examples

```
% define input parameters
inputParam1 = ModelAdvisor.InputParameter;
inputParam1.Name = 'Skip font checks.';
```

```
inputParam1.Type = 'Bool';  
inputParam1.Value = false;
```

Advisor.authoring.DataFile.validate

Validate XML data file used for model configuration check

Syntax

```
msg = Advisor.authoring.DataFile.validate(dataFile)
```

Description

`msg = Advisor.authoring.DataFile.validate(dataFile)` validates the syntax of the XML data file used for model configuration checks.

Input Arguments

`dataFile` XML data file name (character vector)

Examples

```
dataFile = 'myDataFile.xml';  
msg = Advisor.authoring.DataFile.validate(dataFile);  
  
if isempty(msg)  
    disp('Data file passed the XSD schema validation.');else  
    disp(msg);  
end
```

See Also

`Advisor.authoring.CustomCheck` |

`Advisor.authoring.generateConfigurationParameterDataFile`

Topics

“Create Model Advisor Check for Model Configuration Parameters”

Advisor.authoring.CompositeConstraint class

Package: Advisor.authoring

Create a Model Advisor constraint that checks for multiple constraints

Description

Instances of `Advisor.authoring.CompositeConstraint` class contain multiple constraints. Depending on the instance definition, the Model Advisor reports a violation if a model does not meet one or all of the constraints.

Construction

`cc = Advisor.authoring.CompositeConstraint()` creates an instance of this class

Properties

ConstraintID — IDs of constraints

character vector | cell array of character vectors

IDs of constraints that compose an `Advisor.authoring.CompositeConstraint` object. This property is read-only. Use the `addConstraintID` method to create a `CompositeConstraint`.

CompositeOperator — Operator for specifying whether the Model Advisor reports a violation

character vector

Use `and` operator to specify that the Model Advisor reports a violation if a model does not meet all of the check constraints. Use `or` operator to specify that the Model Advisor reports a violation if a model does not meet at least one of the check constraints. This property is read/write.

Methods

`addConstraintID` Add constraint to composite constraint

Examples

Specify a Composite Constraint

These commands specify a composite constraint for Multi-Port Switch blocks.

Create three `PositiveBlockParameter` constraint objects.

```
c1 = Advisor.authoring.PositiveBlockParameterConstraint();
c1.ID = 'ID_A2';
c1.BlockType = 'MultiPortSwitch';
c1.ParameterName = 'DataPortOrder';
c1.SupportedParameterValues = {'Specify indices'};
c1.ValueOperator = 'eq';
```



```

c2 = Advisor.authoring.PositiveBlockParameterConstraint();
c2.ID = 'ID_A3';
c2.BlockType = 'MultiPortSwitch';
c2.ParameterName = 'DataPortForDefault';
c2.SupportedParameterValues = {'Additional data port'};
c2.ValueOperator = 'eq';

c3 = Advisor.authoring.PositiveBlockParameterConstraint();
c3.ID = 'ID_A4';
c3.BlockType = 'MultiPortSwitch';
c3.ParameterName = 'DiagnosticForDefault';
c3.SupportedParameterValues = {'None'};
c3.ValueOperator = 'eq';

```

Use the `addPreRequisiteConstraintID` method to make c1 a prerequisite to checking constraints c2 and c3.

```

c2.addPreRequisiteConstraintID('ID_A2');
c3.addPreRequisiteConstraintID('ID_A2');

```

Create a composite constraint that specifies that if a Rate Transition block does not meet both constraints c2 and c3, the block is in violation of this check.

```

CC = Advisor.authoring.CompositeConstraint();
CC.addConstraintID('ID_A3');
CC.addConstraintID('ID_A4');
CC.CompositeOperator = 'and';

```

See Also

[PositiveBlockParameterConstraint](#) | [NegativeBlockParameterConstraint](#) |
[PositiveModelParameterConstraint](#) | [NegativeModelParameterConstraint](#) |
[PositiveBlockTypeConstraint](#) | [NegativeBlockTypeConstraint](#)

Topics

“Define Model Advisor Checks for Supported and Unsupported Blocks and Parameters”

Introduced in R2018a

Advisor.authoring.PositiveBlockTypeConstraint class

Package: Advisor.authoring

Create a Model Advisor constraint to check for supported block types

Description

Instances of Advisor.authoring.PositiveBlockTypeConstraint class define the only blocks that a model can contain.

Construction

`constraint = Advisor.authoring.PositiveBlockTypeConstraint()` creates an instance of this class.

Properties

ID — Unique identifier

character vector

Unique identifier for the positive block type constraint. This property is read/write.

SupportedBlockTypes — Supported block types

structure of character vectors

Structure consisting of these fields:

- 'BlockType'
- 'MaskType'

List of supported block types. For more information on the **MaskType** field, see “Mask Editor Overview” and “Mask Parameters”. This property is read/write.

PreRequisiteConstraintIDs — IDs of prerequisite constraints

cell array of character vectors

IDs of constraints that you specify as prerequisites by using the `addPreRequisiteConstraintID` method. If a prerequisite is not satisfied, the Model Advisor does not check the constraint that has the prerequisite. This property is read-only.

Examples

Specify Supported Block Types

These commands specify that a model contain only Inport, Outport, and Gain blocks and Constant blocks that have a specified mask:

```
c1=Advisor.authoring.PositiveBlockTypeConstraint;  
c1.ID='ID_1';
```

```
s1=struct('BlockType','Inport','MaskType','');  
s2=struct('BlockType','Outport','MaskType','');  
s3=struct('BlockType','Gain','MaskType','');  
s4=struct('BlockType','Constant','MaskType','Stateflow');  
c1.SupportedBlockTypes={s1;s2;s3;s4};
```

See Also

PositiveModelParameterConstraint | NegativeModelParameterConstraint |
PositiveBlockParameterConstraint | NegativeBlockParameterConstraint |
NegativeBlockTypeConstraint | CompositeConstraint

Topics

“Define Model Advisor Checks for Supported and Unsupported Blocks and Parameters”

Introduced in R2018a

Advisor.authoring.NegativeModelParameterConstraint class

Package: Advisor.authoring

Create a Model Advisor constraint to check for unsupported model parameter values

Description

Instances of `Advisor.authoring.NegativeModelParameterConstraint` class define unsupported values for specified model parameters.

Construction

`constraint = Advisor.authoring.NegativeModelParameterConstraint` creates an instance of this class.

Properties

ID — Unique identifier

character vector

Unique identifier for the negative model parameter constraint. This property is read/write.

ParameterName — Name of model parameter

character vector

Model parameter for which you are specifying a constraint. This property is read/write.

UnsupportedParameterValues — Unsupported model parameter values

cell array of character vectors | cell array of structs | cell array of array of character vectors

List of unsupported values for the model parameter specified by the `ParameterName` field. This property is read/write.

PreRequisiteConstraintIDs — IDs of prerequisite constraints

cell array of character vectors

IDs of constraints that you specify as prerequisites by using the `addPreRequisiteConstraintID` method. If a prerequisite is not satisfied, the Model Advisor does not check the constraint that has the prerequisite. This property is read-only.

Examples

Specify Unsupported Model Parameter Value

These commands specify that the **MaxType** parameter does not support a value of zero:

```
c1=Advisor.authoring.NegativeModelParameterConstraint;  
c1.ID='ID_1';  
c1.ParameterName='MaxStep';  
c1.UnsupportedParameterValues={'0'};
```

See Also

[PositiveModelParameterConstraint](#) | [NegativeBlockParameterConstraint](#) |
[PositiveBlockParameterConstraint](#) | [PositiveBlockTypeConstraint](#) |
[NegativeBlockTypeConstraint](#) | [CompositeConstraint](#)

Topics

[“Define Model Advisor Checks for Supported and Unsupported Blocks and Parameters”](#)

Introduced in R2018a

Advisor.authoring.PositiveModelParameterConstraint class

Package: Advisor.authoring

Create a Model Advisor constraint to check for supported model parameter values

Description

Instances of Advisor.authoring.PositiveModelParameterConstraint class define supported values for specified model parameters.

Construction

`constraint = Advisor.authoring.PositiveModelParameterConstraint()` creates an instance of this class.

Properties

ID — Unique identifier

character vector

Unique identifier for the positive model parameter constraint. This property is read/write.

ParameterName — Name of model parameter

character vector

Model parameter for which you are specifying a constraint. This property is read/write.

SupportedParameterValues — Supported model parameter values

cell array of character vectors | cell array of structs | cell array of array of character vectors

List of supported values for the model parameter specified by the ParameterName field. This property is read/write.

PreRequisiteConstraintIDs — IDs of prerequisite constraints

cell array of character vectors

IDs of constraints that you specify as prerequisites by using the `addPreRequisiteConstraintID` method. If a prerequisite is not satisfied, the Model Advisor does not check the constraint that has the prerequisite. This property is read-only.

Examples

Specify Supported Model Parameter Values

These commands specify that the Solver **Type** model parameter must have a value of `Variable-step`:

```
c1=Advisor.authoring.PositiveModelParameterConstraint;  
c1.ID='ID_1';
```

```
c1.ParameterName='SolverType';  
c1.SupportedParameterValues={'Variable-step'};
```

These commands specify that the **Stop time** model parameter must have a value of 10 or 15:

```
c1=Advisor.authoring.PositiveModelParameterConstraint;  
c1.ID='ID_1';  
c1.ParameterName='StopTime';  
c1.SupportedParameterValues={'10','15'};
```

For the **ReplacementTypes** model parameter (Embedded Coder Users), these commands specify two sets of supported values for the **double** and **single** data types:

```
c1 = Advisor.authoring.PositiveModelParameterConstraint();  
c1.ID='ID_2';  
c1.ParameterName = 'ReplacementTypes';  
s1 = struct('double', 'a', 'single', 'b');  
s2 = struct('double', 'c', 'single', 'b');  
c1.SupportedParameterValues = {s1, s2};
```

See Also

[NegativeModelParameterConstraint](#) | [PositiveBlockParameterConstraint](#) |
[NegativeBlockParameterConstraint](#) | [PositiveBlockTypeConstraint](#) |
[NegativeBlockTypeConstraint](#) | [CompositeConstraint](#)

Topics

“Define Model Advisor Checks for Supported and Unsupported Blocks and Parameters”

Introduced in R2018a

Advisor.authoring.NegativeBlockParameterConstraint class

Package: `Advisor.authoring`

Create a Model Advisor constraint to check for unsupported block parameter values

Description

Instances of `Advisor.authoring.NegativeBlockParameterConstraint` class define unsupported values for specified block parameters.

Construction

`constraint = Advisor.authoring.NegativeBlockParameterConstraint()` creates an instance of this class.

Properties

ID — Unique identifier

character vector

Unique identifier for the negative block constraint. This property is read/write.

BlockType — Block type

character vector

Block that contains the parameter for which you are specifying a constraint. For a list of block types, see “Block-Specific Parameters”. This property is read/write.

ParameterName — Name of block parameter

character vector

Block parameter for which you are specifying a constraint. For a list of block parameters, see “Block-Specific Parameters”. This property is read/write.

UnsupportedParameterValues — Unsupported block parameter values

cell array of character vectors | cell array of structs | cell array of array of character vectors

List of unsupported values for the block parameter specified by the `BlockType` and `ParameterName` fields. This property is read/write.

ValueOperator — Operator for specifying unsupported parameter values

character vector

To specify one or more unsupported values, use these operators:

- 'eq'
- 'or'

- 'lt'
- 'gt'
- 'ge'
- 'le'
- 'range'
- 'regex'

This property is read/write. For more information on the regex operator, see `regex`.

PreRequisiteConstraintIDs — IDs of prerequisite constraints

cell array of character vectors

IDs of constraints that you specify as prerequisites by using the `addPreRequisiteConstraintID` method. If a prerequisite is not satisfied, the Model Advisor does not check the constraint that has the prerequisite. This property is read/write.

Examples

Specify Unsupported Block Parameter Values

For a Constant block, these commands specify that one or four values are unsupported for the **Value** parameter:

```
c1=Advisor.authoring.NegativeBlockParameterConstraint;
c1.ID='ID_1';
c1.BlockType='Constant';
c1.ParameterName='Value';
c1.UnsupportedParameterValues={'1','4'};
c1.ValueOperator='or';
```

See Also

[PositiveBlockParameterConstraint](#) | [PositiveModelParameterConstraint](#) | [NegativeModelParameterConstraint](#) | [NegativeModelParameterConstraint](#) | [PositiveBlockTypeConstraint](#) | [NegativeBlockTypeConstraint](#) | [CompositeConstraint](#)

Topics

“Define Model Advisor Checks for Supported and Unsupported Blocks and Parameters”

Introduced in R2018a

Advisor.authoring.PositiveBlockParameterConstraint class

Package: `Advisor.authoring`

Create a Model Advisor constraint to check for supported block parameter values

Description

Instances of `Advisor.authoring.PositiveBlockParameterConstraint` class define supported values for a specified block parameter.

Construction

`constraint = Advisor.authoring.PositiveBlockParameterConstraint` creates an instance of this class.

Properties

ID — Unique identifier

character vector

Unique identifier for the positive block parameter constraint. This property is read/write.

BlockType — Block type

character vector

Block that contains the parameter for which you are specifying a constraint. For a list of block types, see “Block-Specific Parameters”. This property is read/write.

ParameterName — Name of block parameter

character vector

Block parameter for which you are specifying a constraint. For a list of block parameters, see “Block-Specific Parameters”. This property is read/write.

SupportedParameterValues — Supported block parameter values

cell array of character vectors | cell array of structs | cell array of array of character vectors

List of supported values for the block parameter specified by the `BlockType` and `ParameterName` fields. This property is read/write.

ValueOperator — Operator for specifying supported parameter values

character vector

Use these operators to specify one or more supported values:

- 'eq'
- 'or'

- 'lt'
- 'gt'
- 'ge'
- 'le'
- 'range'
- 'regex'

This property is read/write. For more information on the regex operator, see `regex`.

PreRequisiteConstraintIDs — IDs of prerequisite constraints

cell array of character vectors

IDs of constraints that you specify as prerequisites by using the `addPreRequisiteConstraintID` method. If a prerequisite is not satisfied, the Model Advisor does not check the constraint that has the prerequisite. This property is read-only.

Example

Specify Supported Block Parameter Values

For a Constant block, these commands specify that the **Value** parameter must have values of 2 and 5.

```
c1=Advisor.authoring.PositiveBlockParameterConstraint;
c1.ID='ID_1';
c1.BlockType='Constant';
c1.ParameterName='Value';
c1.SupportedParameterValues={'2','5'};
c1.ValueOperator='eq';
```

For a Constant block, these commands specify that the **Value** parameter must have a value between 1 and 4.

```
c1=Advisor.authoring.PositiveBlockParameterConstraint;
c1.ID='ID_1';
c1.BlockType='Constant';
c1.ParameterName='Value';
c1.SupportedParameterValues={'1','4'};
c1.ValueOperator='range';
```

See Also

NegativeBlockParameterConstraint | PositiveModelParameterConstraint |
 NegativeModelParameterConstraint | PositiveBlockTypeConstraint |
 NegativeBlockTypeConstraint | CompositeConstraint

Topics

“Define Model Advisor Checks for Supported and Unsupported Blocks and Parameters”

Introduced in R2018a

addPreRequisiteConstraintID

Class: `Advisor.authoring.PositiveBlockParameterConstraint`,
`Advisor.authoring.NegativeBlockParameterConstraint`,
`Advisor.authoring.PositiveModelParameterConstraint`,
`Advisor.authoring.NegativeModelParameterConstraint`,
`Advisor.authoring.PositiveBlockTypeConstraint`,
`Advisor.authoring.NegativeBlockTypeConstraint`

Package: `Advisor.authoring`

Check a prerequisite constraint object before the actual constraint object

Syntax

```
addPreRequisiteConstraintID(ID_1)
```

Description

Specify a constraint as a prerequisite to a constraint object. The Model Advisor checks the prerequisite constraint before checking the actual constraint object.

`addPreRequisiteConstraintID(ID_1)` specifies a prerequisite constraint ID `ID_1` that the Model Advisor checks before checking the actual constraint object.

Input Arguments

ID_1 — ID of constraint object

character vector

To create constraint objects that you can specify as prerequisite constraints, use these classes:

- `Advisor.authoring.PositiveBlockParameterConstraint`
- `Advisor.authoring.NegativeBlockParameterConstraint`
- `Advisor.authoring.PositiveModelParameterConstraint`
- `Advisor.authoring.NegativeModelParameterConstraint`
- `Advisor.authoring.PositiveBlockTypeConstraint`
- `Advisor.authoring.NegativeBlockTypeConstraint`

Examples

Specify a Prerequisite Constraint

Specify a constraint on a Gain block. Specify this constraint as a prerequisite for a constraint on a Constant block.

Use the `PositiveBlockParameterConstraint` class to create a constraint on the **Gain** parameter of a Gain block.

```

c1=Advisor.authoring.PositiveBlockParameterConstraint;
c1.ID='ID_1';
c1.BlockType='Gain';
c1.ParameterName='Gain';
c1.SupportedParameterValues={'0','5'};
c1.ValueOperator='range';

```

Use the `NegativeBlockParameterConstraint` class to create a negative constraint on the **Value** parameter of a Constant block.

```

c2=Advisor.authoring.NegativeBlockParameterConstraint;
c2.ID='ID_2';
c2.BlockType='Constant';
c2.ParameterName='Value';
c2.UnsupportedParameterValues={'5'};
c2.ValueOperator='lt';

```

Use the `AddPreRequisiteConstraintID` method to specify the Gain block constraint as a prerequisite to the Constant block constraint.

```

c2.addPreRequisiteConstraintID('ID_1');

```

The Model Advisor does not check the Constant block constraint unless the **Gain** parameter has a value between 0 and 5.

See Also

[PositiveBlockParameterConstraint](#) | [NegativeBlockParameterConstraint](#) |
[PositiveModelParameterConstraint](#) | [NegativeModelParameterConstraint](#) |
[PositiveBlockTypeConstraint](#) | [NegativeBlockTypeConstraint](#)

Topics

“Define Model Advisor Checks for Supported and Unsupported Blocks and Parameters”

Introduced in R2018a

addConstraintID

Class: `Advisor.authoring.CompositeConstraint`

Package: `Advisor.authoring`

Add constraint to composite constraint

Syntax

```
addConstraintID(ID_1)
```

Description

Specify a constraint ID to add to a composite constraint.

`addConstraintID(ID_1)` specifies a constraint ID `ID_1` that the Model Advisor checks as part of a `CompositeConstraint` object.

Input Arguments

ID_1 — ID of constraint object

character vector

To create root constraint objects that you can specify as part of a composite constraint, use these classes:

- `Advisor.authoring.PositiveBlockParameterConstraint`
- `Advisor.authoring.NegativeBlockParameterConstraint`
- `Advisor.authoring.PositiveBlockTypeConstraint`
- `Advisor.authoring.NegativeBlockTypeConstraint`

Examples

Specify a Composite Constraint

These commands specify a composite constraint for Multi-Port Switch blocks:

Create three `PositiveBlockParameter` constraint objects.

```
c1 = Advisor.authoring.PositiveBlockParameterConstraint();
c1.ID = 'ID_A1';
c1.BlockType = 'MultiPortSwitch';
c1.ParameterName = 'DataPortOrder';
c1.SupportedParameterValues = {'Specify indices'};
c1.ValueOperator = 'eq';

c2 = Advisor.authoring.PositiveBlockParameterConstraint();
c2.ID = 'ID_A2';
c2.BlockType = 'MultiPortSwitch';
c2.ParameterName = 'DataPortForDefault';
c2.SupportedParameterValues = {'Additional data port'};
c2.ValueOperator = 'eq';

c3 = Advisor.authoring.PositiveBlockParameterConstraint();
```

```
c3.ID = 'ID_A3';  
c3.BlockType = 'MultiPortSwitch';  
c3.ParameterName = 'DiagnosticForDefault';  
c3.SupportedParameterValues = {'None'};  
c3.ValueOperator = 'eq';
```

Use the `addPreRequisiteConstraintID` method to make c1 a prerequisite to checking constraints c2 and c3.

```
c2.addPreRequisiteConstraintID('ID_1');  
c3.addPreRequisiteConstraintID('ID_2');
```

Create a composite constraint that specifies that if a Rate Transition block does not meet both constraints c2 and c3, the block is in violation of this check.

```
CC = Advisor.authoring.CompositeConstraint();  
CC.addConstraintID('ID_A2');  
CC.addConstraintID('ID_A3');  
CC.CompositeOperator = 'and';
```

See Also

[PositiveModelParameterConstraint](#) | [NegativeModelParameterConstraint](#) |
[PositiveBlockParameterConstraint](#) | [NegativeBlockParameterConstraint](#) |
[PositiveBlockTypeConstraint](#) | [NegativeBlockTypeConstraint](#) | [CompositeConstraint](#)

Topics

“Define Model Advisor Checks for Supported and Unsupported Blocks and Parameters”

Introduced in R2018a

Advisor.authoring.NegativeBlockTypeConstraint class

Package: Advisor.authoring

Create a Model Advisor constraint to check for unsupported blocks

Description

Instances of `Advisor.authoring.NegativeBlockTypeConstraint` class define blocks that a model must not contain.

Construction

`constraint = Advisor.authoring.NegativeBlockTypeConstraint` creates an instance of this class.

Properties

ID — Unique identifier

character vector

Unique identifier for the block type constraint. This property is read/write.

UnsupportedBlockTypes — Unsupported block types

structure of character vectors

Structure consisting of these fields:

- 'BlockType'
- 'MaskType'

List of unsupported block types. This property is read/write. For more information on the **MaskType** field, see “Mask Editor Overview” and “Mask Parameters”.

PreRequisiteConstraintIDs — IDs of prerequisite constraints

cell array of character vectors

IDs of constraints that you specify as prerequisites by using the `addPreRequisiteConstraintID` method. If a prerequisite is not satisfied, the Model Advisor does not check the constraint that has the prerequisite. This property is read-only.

Examples

Specify Unsupported Block Types

These commands specify that a model cannot contain Rate Transition and Integrator blocks and Constant blocks with a specified mask:

```
c1=Advisor.authoring.NegativeBlockTypeConstraint;  
c1.ID='ID_1';
```



```
s1=struct('BlockType','Integrator','MaskType','');  
s2=struct('BlockType','RateTransition','MaskType','');  
s3=struct('BlockType','Constant','MaskType','Stateflow');  
c1.UnsupportedBlockTypes={s1;s2;};
```

See Also

[PositiveBlockParameterConstraint](#) | [NegativeBlockParameterConstraint](#) |
[PositiveModelParameterConstraint](#) | [NegativeModelParameterConstraint](#) |
[PositiveBlockTypeConstraint](#) | [CompositeConstraint](#)

Topics

“Define Model Advisor Checks for Supported and Unsupported Blocks and Parameters”

Introduced in R2018a

Value property

Status of check

Values

true
false
' ' (default)

Description

The Value property specifies the initial status of the check. When you use the Value property to specify the initial status of the check, you enable or disable **Run This Check** in the Model Advisor window.

If you want to specify the initial status of a check in the **By Product** folder, before starting Model Advisor, make sure `ModelAdvisor.Preferences.DeselectByProduct` is false.

true	Check is enabled
false	Check is disabled

Examples

```
% hide all checks that do not belong to Demo group
if ~(strcmp(checkCellArray{i}.Group, 'Demo'))
    checkCellArray{i}.Visible = false;
    checkCellArray{i}.Value = false;
end
```

Value property

Class: ModelAdvisor.InputParameter

Package: ModelAdvisor

Value of input parameter

Values

Depends on the Type property.

Description

The Value property specifies the initial value of the input parameter. This property is valid only when the Type property is one of the following:

- 'Bool'
- 'String'
- 'Enum'
- 'ComboBox'

Examples

```
% define input parameters
inputParam1 = ModelAdvisor.InputParameter;
inputParam1.Name = 'Skip font checks.';
inputParam1.Type = 'Bool';
inputParam1.Value = false;
```

Value property

Class: ModelAdvisor.Task

Package: ModelAdvisor

Status of task

Values

true — Initial status of task is enabled

false — Initial status of task is disabled

Description

The Value property indicates the initial status of a task—whether it is enabled or disabled.

When adding checks as tasks, the Model Advisor uses the task Value property instead of the check Value property.

Examples

```
MAT1 = ModelAdvisor.Task('com.mathworks.sample.TaskSample1');  
MAT1.Value = false;
```

view

View Model Advisor run results for checks

Syntax

```
view(CheckResultObj)
```

Description

`view(CheckResultObj)` opens a web browser and displays the results of the check specified by `CheckResultObj`. `CheckResultObj` is a `ModelAdvisor.CheckResult` object returned by `ModelAdvisor.run`.

Input Arguments

CheckResultObj

`ModelAdvisor.CheckResult` object which is a part of a `ModelAdvisor.SystemResult` object returned by `ModelAdvisor.run`.

Examples

View Model Advisor Results

Run a check on a model and view the results in a web browser.

Use Model Advisor to run the check **Check optimization settings** on the model `vdp`.

```
results = ModelAdvisor.run({'vdp'}, ...  
    {'mathworks.design.OptimizationSettings'});
```

View the results of the Model Advisor run.

```
view(results{1}.CheckResultObjs(1))
```

The results for the model `vdp` correspond to the first `ModelAdvisor.SystemResult` object in `results`. The results for the check **Check optimization settings** correspond to the first `ModelAdvisor.CheckResult` object in the array of `CheckResultObj` objects.

For more information on Model Advisor checks, see “Model Advisor Checks Documentation”. For details on how to find check IDs, see “Find Model Advisor Check IDs”.

Alternatives

“View Model Advisor Report”

See Also

`ModelAdvisor.lookupCheckID` | `ModelAdvisor.run` | `getReportFileName` |
`ModelAdvisor.summaryReport` | `viewReport`

Topics

“Checking Systems Programmatically”
“Create a Function to Check Multiple Systems”
“Automate Model Advisor Check Execution”
“Archive and View Model Advisor Run Results”
“Model Advisor Checks Documentation”
“Find Model Advisor Check IDs”

Introduced in R2010b

viewReport

View Model Advisor run results for systems

Syntax

```
viewReport(Result)
viewReport(Result, 'MA')
viewReport(Result, 'Cmd')
```

Description

`viewReport(Result)` opens the Model Advisor Report for the system result specified by `Result`. `Result` is a `ModelAdvisor.SystemResult` object returned by `ModelAdvisor.run`.

`viewReport(Result, 'MA')` displays the results in the Model Advisor.

`viewReport(Result, 'Cmd')` displays the Model Advisor run summary in the Command Window.

Input Arguments

Result

`ModelAdvisor.SystemResult` object returned by `ModelAdvisor.run`.

Default:

Examples

Open a Model Advisor Report

Open the Model Advisor Report for the specified system.

Use Model Advisor to run the check **Check optimization settings** on the model `vdp`.

```
results = ModelAdvisor.run({'vdp'}, ...
    {'mathworks.design.OptimizationSettings'});
```

Open the Model Advisor report for `vdp`. The results for the model `vdp` correspond to the first `ModelAdvisor.SystemResult` object in `results`.

```
viewReport(results{1})
```

For more information on Model Advisor checks, see “Model Advisor Checks Documentation”. For details on how to find check IDs, see “Find Model Advisor Check IDs”.

Display Results in Model Advisor

Open Model Advisor and display the Model Advisor run results.

Use Model Advisor to run the check **Check optimization settings** on the model vdp.

```
results = ModelAdvisor.run({'vdp'}, ...  
    {'mathworks.design.OptimizationSettings'});
```

Open Model Advisor and display the results of the Model Advisor run for vdp.

```
viewReport(results{1}, 'MA')
```

For more information on Model Advisor checks, see “Model Advisor Checks Documentation”. For details on how to find check IDs, see “Find Model Advisor Check IDs”.

Display Summary in the Command Window

Display the Model Advisor run summary in the Command Window.

Use Model Advisor to run the check **Check optimization settings** on the model vdp.

```
results = ModelAdvisor.run({'vdp'}, ...  
    {'mathworks.design.OptimizationSettings'});
```

Display the results for vdp in the Command Window.

```
viewReport(results{1}, 'Cmd')
```

For more information on Model Advisor checks, see “Model Advisor Checks Documentation”. For details on how to find check IDs, see “Find Model Advisor Check IDs”.

Alternatives

- “View Model Advisor Report”
- “View Results in Model Advisor GUI”
- “View Results in Command Window”

See Also

`ModelAdvisor.lookupCheckID` | `ModelAdvisor.run` | `getReportFileName` | `ModelAdvisor.summaryReport` | `view`

Topics

“Checking Systems Programmatically”
“Create a Function to Check Multiple Systems”
“Automate Model Advisor Check Execution”
“Archive and View Model Advisor Run Results”
“Model Advisor Checks Documentation”
“Find Model Advisor Check IDs”

Introduced in R2010b

Visible property

Indicate to display or hide check

Values

true (default)
false

Description

The `Visible` property specifies whether the Model Advisor displays the check.

true	Display the check
false	Hide the check

Examples

```
% hide all checks that do not belong to Demo group
if ~(strcmp(checkCellArray{i}.Group, 'Demo'))
    checkCellArray{i}.Visible = false;
    checkCellArray{i}.Value = false;
end
```

Visible property

Class: ModelAdvisor.Task

Package: ModelAdvisor

Indicate to display or hide task

Values

true (default) — Display task in the Model Advisor

false — Hide task

Description

The `Visible` property specifies whether the Model Advisor displays the task.

Caution When adding checks as tasks, you cannot specify both the task and check `Visible` properties, you must specify one or the other. If you specify both properties, the Model Advisor generates an error when the check `Visible` property is `false`.

Examples

```
MAT1 = ModelAdvisor.Task('com.mathworks.sample.TaskSample1');  
MAT1.Visible = false;
```

slmetric.metric.registerMetric

Package: slmetric.metric

Register a custom model metric with the model metric repository

Syntax

```
[MetricID,err_msg] = slmetric.metric.registerMetric(classname)
```

Description

[MetricID,err_msg] = slmetric.metric.registerMetric(classname) register a custom model metric with the model metric repository. The new metric class must be on the MATLAB search path and derived from slmetric.metric.Metric.

Examples

Register a Custom Model Metric with the Model Metric Repository

This example shows how to register a custom model metric.

Create a new metric class, derived from slmetric.metric.Metric, called my_metric.

```
slmetric.metric.createNewMetricClass('my_metric')
```

Finish the custom model metric implementation and testing.

Register the new custom metric in the model metric repository.

```
[MetricID, err_msg] = slmetric.metric.registerMetric('my_metric');
```

Input Arguments

classname — Metric class name

character vector

New metric class name.

Data Types: char

Output Arguments

MetricID — Metric ID

character vector

Unique metric identifier.

Data Types: char

err_msg — Error message

character vector

If you cannot register a new class, the function returns an error message.

Data Types: char

See Also

`slmetric.metric.Metric` | `slmetric.metric.unregisterMetric` |
`slmetric.metric.refresh` | `slmetric.metric.createNewMetricClass`

Introduced in R2016a

slmetric.metric.unregisterMetric

Package: slmetric.metric

Unregister a custom model metric from the model metric repository

Syntax

```
slmetric.metric.unregisterMetric(MetricID)
```

Description

slmetric.metric.unregisterMetric(MetricID) unregister a custom model metric from the model metric repository.

Input Arguments

MetricID — Unique metric identifier

character vector

Metric identifier for a custom model metric that you created.

See Also

slmetric.metric.Metric | slmetric.metric.registerMetric |
slmetric.metric.refresh | slmetric.metric.createNewMetricClass

Introduced in R2016a

slmetric.metric.refresh

Package: `slmetric.metric`

Update available model metrics

Syntax

```
slmetric.metric.refresh()
```

Description

`slmetric.metric.refresh()` updates available metrics after manual updates to the metric registration file.

See Also

`slmetric.metric.Metric` | `slmetric.metric.registerMetric` |
`slmetric.metric.unregisterMetric` | `slmetric.metric.createNewMetricClass`

Introduced in R2016a

slmetric.metric.createNewMetricClass

Package: slmetric.metric

Create new metric class for a custom model metric

Syntax

```
slmetric.metric.createNewMetricClass(class_name)
```

Description

`slmetric.metric.createNewMetricClass(class_name)` creates a `slmetric.metric.Metric` class in the current working folder. The new metric class is used to define a custom model metric and supports the following `Advisor.component.Types`:

- Model
- SubSystem
- ModelBlock
- Chart
- MATLABFunction

Examples

Create a Custom Model Metric Class

This example shows how to create a new metric class `my_metric`.

Call the function and provide a name for the new metric class:

```
slmetric.metric.createNewMetricClass('my_metric')
```

The function creates a `my_metric.m` file in the current working folder.

```
slmetric.metric.createNewMetricClass('my_metric')
```

The file contains the class definition for `my_metric`, which includes the constructor and an empty metric `algorithm` method.

```
classdef my_metric < slmetric.metric.Metric
    % my_metric Summary of this metric class goes here
    % Detailed explanation goes here
    properties
    end

    methods
        function this = my_metric()
            this.ID = 'my_metric';
            this.Description = '';
            this.ComponentScope = [Advisor.component.Types.Model, ...
```

```
        Advisor.component.Types.SubSystem];
    this.AggregationMode = slmetric.AggregationMode.Sum;
    this.CompileContext = 'None';
    this.Version = 1;
end

    function res = algorithm(this, component)
        res = slmetric.metric.Result();
        res.ComponentID = component.ID;
        res.MetricID = this.ID;
        res.Value = 0;
    end
end
end
```

Write your custom metric algorithm in `algorithm`.

When your custom metric class is working and tested, register your metric using `slmetric.metric.registerMetric`.

Input Arguments

class_name — Name of the new metric class

character vector

Name of the new metric class you are creating for a custom metric.

Data Types: char

See Also

`Advisor.component.Types` | `slmetric.metric.Metric` |
`slmetric.metric.registerMetric` | `slmetric.metric.unregisterMetric`

Introduced in R2016a

exportMetrics

Class: slmetric.Engine

Package: slmetric

Export model metrics

Syntax

```
exportMetrics(metric_engine,filename)
exportMetrics(metric_engine,filename,filelocation)
```

Description

Export model metric data to an XML file.

`exportMetrics(metric_engine,filename)` exports an XML filename containing metric data to your current folder.

`exportMetrics(metric_engine,filename,filelocation)` exports an XML filename containing metric data to filelocation.

Input Arguments

metric_engine — Collects and accesses metric data

slmetric.Engine object

When you call `execute`, `metric_engine` collects metric data for available metrics or for the specified `MetricIDs`. Calling `getMetrics` accesses the collected metric data in `metric_engine`.

filename — XML file name

character vector

Name of XML file.

Example: 'MyMetrics.xml'

filelocation — File path

character vector

Path to XML file

Example: 'C:/mywork'

Examples

Export Metrics to Current Folder

This example shows how to export metrics for model `vdp` to XML file `MyMetrics.xml` in your current folder.

```
% Create an slmetric.Engine object
metric_engine = slmetric.Engine();

% Specify model for metric analysis
setAnalysisRoot(metric_engine, 'Root', 'vdp', 'RootType', 'Model');

% Generate and collect model metrics
execute(metric_engine);
rc = getMetrics(metric_engine);

% Export metrics to XML file myMetrics.xml
exportMetrics(metric_engine, 'MyMetrics.xml');
```

Export Metrics to Specified Location

This example shows how to export metrics for model vdp to XML file MyMetrics.xml in a specified folder, C:/work.

```
% Create an slmetric.Engine object
metric_engine = slmetric.Engine();

% Specify model for metric analysis
setAnalysisRoot(metric_engine, 'Root', 'vdp', 'RootType', 'Model');

% Collect model metrics
execute(metric_engine);
rc = getMetrics(metric_engine);

% Export metrics to XML file myMetrics.xml
exportMetrics(metric_engine, 'MyMetrics.xml', 'C:/work');
```

See Also

[slmetric.metric.ResultCollection](#) | [slmetric.metric.getAvailableMetrics](#)

Topics

“Collect Model Metrics Programmatically”
“Model Metrics” on page 2-289

Introduced in R2016a

clonedetection

Open Clone Detector app

Syntax

```
clonedetection(model)
```

Description

`clonedetection(model)` opens the Clone Detector App for a model specified by `model`. If the specified model is not open, this command opens it.

Examples

Open Identify Modeling Clones tool for a model

Open the Clone Detector App for `rtwdemo_preprocessor_subsys` example model:

```
clonedetection('rtwdemo_preprocessor_subsys')
```

Input Arguments

model — Model name

character vector

Model name or handle, specified as a character vector.

Data Types: char

See Also

“Enable Component Reuse by Using Clone Detection”

Introduced in R2017a

slmetric.dashboard.Configuration class

Package: `slmetric.dashboard`

Object containing information on Metrics Dashboard layout and widgets

Description

Instances of `slmetric.dashboard.Configuration` contain information on the layout and types of widgets in the Metric Dashboard.

Construction

Use the `slmetric.dashboard.Configuration` class to specify the layout and types of widgets in the Metrics Dashboard. To create an `slmetric.dashboard.Configuration` object, use the `new` method. Each `slmetric.dashboard.Configuration` object contains one `slmetric.dashboard.Layout` object. Use the methods and properties of the `slmetric.dashboard.Layout` class to customize the widgets and layout of the Metrics Dashboard.

You can modify an existing Metrics Dashboard layout, such as the shipped Metrics Dashboard layout, by using the `getDashboardLayout` method.

Properties

Name — Configuration object name

character vector | string scalar

Name of configuration object that you use to specify the Metrics Dashboard layout. This property is read/write.

Data Types: char

FileName — XML file name

character vector | string scalar

XML file name that contains information on the current Metrics Dashboard layout. This property is read/write.

Data Types: char

Location — XML file location

character vector | string scalar

Location of XML file that contains Metrics Dashboard layout. This property is optional and read/write.

Data Types: char

Methods

getDashboardLayout	Create Metrics Dashboard layout object in base workspace
new	Create configuration object for customizing Metrics Dashboard layout
open	Create <code>slmetric.dashboard.Configuration</code> object associated with XML configuration file in the base workspace
openDefaultConfiguration	Return shipping Metrics Dashboard configuration object in base workspace
save	Save contents of <code>slmetric.dashboard.Configuration</code> object to XML file

Examples

Create a Configuration Object

Use the `new` method to create an `slmetric.dashboard.Configuration` object. As an input, specify the name of the XML file that is to contain information on a custom metrics dashboard layout. After you add this information to the configuration object, use the `save` method to save the file.

```
CONF = slmetric.dashboard.Configuration.new('Name', 'default')
```

```
CONF =
```

```
Configuration with properties:
```

```
    Name: 'default'
  FileName: ''
  Location: ''
```

See Also

`slmetric.dashboard.setActiveConfiguration` |
`slmetric.dashboard.getActiveConfiguration`

Topics

“Collect Model Metric Data by Using the Metrics Dashboard”
 “Customize Metrics Dashboard Layout and Functionality”

Introduced in R2018b

slmetric.dashboard.Container class

Package: slmetric.dashboard

Widget for holding slmetric.dashboard.Widget and slmetric.dashboard.CustomWidget objects in Metrics Dashboard

Description

An slmetric.dashboard.Container object holds slmetric.dashboard.Widget and slmetric.dashboard.CustomWidget objects. You can use the slmetric.dashboard.Container methods to specify the container size and border.

For example, the image is of the default Metrics Dashboard layout. This portion of the Metrics Dashboard contains an slmetric.dashboard.Group widget with the title Size. This group contains three slmetric.dashboard.Container widgets. The containers on the left and right each contain one slmetric.dashboard.Widget object. The middle container contains two slmetric.dashboard.Widget objects.



Construction

`container = slmetric.dashboard.Container` creates a handle to an slmetric.dashboard.Container object.

Properties

ShowBorder — Display a border around the slmetric.dashboard.Container object
0 (default) | logical

If true, the slmetric.dashboard.Container object has a border around it in the Metrics Dashboard. This property is read/write.

Type — Widget type
Container (default)

This widget type is a container. This property is read-only.

Methods

<code>addWidget</code>	Add widget to <code>slmetric.dashboard.Container</code> object
<code>getSeparators</code>	Determine whether there are lines on sides of Metrics Dashboard container
<code>getWidgets</code>	Obtain a list of widgets in an <code>slmetric.dashboard.Container</code> object
<code>getWidths</code>	Obtain widths of Metrics Dashboard container
<code>removeWidget</code>	Remove widget from <code>slmetric.dashboard.Container</code> object
<code>setSeparators</code>	Specify lines on Metrics Dashboard container sides
<code>setWidths</code>	Specify multiple widths for Metrics Dashboard container
<code>setMargin</code>	Specify distance from container edge to its contents
<code>getMargin</code>	Obtain distance from container edge to its contents
<code>getPosition</code>	Obtain container position within Metrics Dashboard
<code>setPosition</code>	Set container position within Metrics Dashboard

Examples

Configure Compliance Metrics

You can use the Metrics Dashboard and metric APIs to obtain compliance and issues metric data on your Model Advisor configuration. To set up your Model Advisor configuration, see “Use the Model Advisor Configuration Editor to Customize the Model Advisor”. You can also use an existing check group such as the MISRA checks. After you have set up your Model Advisor configuration, follow these steps to specify the check groups for which you want to obtain compliance and issues metric data:

Open the default configuration:

```
config=slmetric.config.Configuration.open()
```

Specify a metric family ID that you associate with those check groups:

```
famParamID = 'ModelAdvisorStandard';
```

Create a cell array consisting of the Check Group IDs that correspond to the check groups. Obtain a Check Group ID by opening up the Model Advisor Configuration Editor and selecting the folder that contains the group of checks. The folder contains a **Check Group ID** parameter.

```
values = {'maab', 'hisl_do178', '_SYSTEM_By Task_misra_c'};
```

The previous cell array specifies MAB, High-Integrity, and MISRA check groups. The values `maab` and `hisl_do178` correspond to a subset of MAB and High-Integrity System checks. To include all checks, specify the value for the **Check Group ID** parameter from the Model Advisor Configuration Editor.

To set up the configuration, pass the `values` cell array into the `setMetricFamilyParameterValues` method.

```
setMetricFamilyParameterValues(config, famParamID, values);
```

Point the **High Integrity Compliance** and **High Integrity Check Issues** widgets to the MISRA check group. To begin, open the default configuration for the Metrics Dashboard layout.

```
conf = slmetric.dashboard.Configuration.open();
```

Obtain the `slmetric.dashboard.Layout` object from the `slmetric.dashboard.Configuration` object `conf`.

```
layout = getDashboardLayout(conf);
```

Obtain the widget objects that are in the layout object.

```
layoutWidget = getWidgets(layout);
```

Obtain the compliance group from the layout. This group contains two containers. The first container contains the High Integrity and MAB Compliance and Check Issues widgets. Remove the **High Integrity Compliance** widget.

```
complianceGroup = layoutWidget(3);
complianceContainers = getWidgets(complianceGroup);
complianceContainerWidgets = getWidgets(complianceContainers(1));
complianceContainers(1).removeWidget(complianceContainerWidgets(1));
setMetricIDs(complianceContainerWidgets(1), ...
({'mathworks.metrics.ModelAdvisorCompliance._SYSTEM_By Task_misra_c'}));
complianceContainerWidgets(1).Labels = {'MISRA'};
```

Add a custom widget for visualizing MISRA check issues metrics to the `complianceContainers` `slmetric.dashboard.Container` object.

```
misraWidget = complianceContainers(1).addWidget('Custom', 1);
misraWidget.Title = ('MISRA');
misraWidget.VisualizationType = 'RadialGauge';
misraWidget.setMetricIDs('mathworks.metrics.ModelAdvisorCheckCompliance._SYSTEM_By Task_misra_c');
misraWidget.setWidths(slmetric.dashboard.Width.Medium);
```

Save the configuration objects. These commands serialize the API information to XML files.

```
save(config, 'FileName', 'MetricConfig.xml');
save(conf, 'Filename', 'DashboardConfig.xml');
```

Set the active configurations.

```
slmetric.config.setActiveConfiguration(fullfile(pwd, 'MetricConfig.xml'));
slmetric.dashboard.setActiveConfiguration(fullfile(pwd, 'DashboardConfig.xml'));
```

For a model, open the Metrics Dashboard.

```
metricsdashboard vdp
```

Click the **All Metrics** button to run all metrics.

See Also

```
slmetric.dashboard.setActiveConfiguration |
slmetric.dashboard.getActiveConfiguration
```

Topics

“Collect Model Metric Data by Using the Metrics Dashboard”
“Customize Metrics Dashboard Layout and Functionality”

Introduced in R2018b

slmetric.dashboard.CustomWidget class

Package: slmetric.dashboard

Object for holding custom Metrics Dashboard widgets

Description

For custom or shipped metrics, use the `slmetric.dashboard.CustomWidget` object to visualize metric data in the Metrics Dashboard. Choose a single value, radial gauge, bar chart, or distribution heat map approach.

Construction

For `slmetric.dashboard.Layout`, `slmetric.dashboard.Container`, or `slmetric.dashboard.Group` objects, use the `addWidget` or `removeWidget` methods to add or remove `slmetric.dashboard.CustomWidget` objects from the Metrics Dashboard. Use `slmetric.dashboard.CustomWidget` methods to specify the widget size.

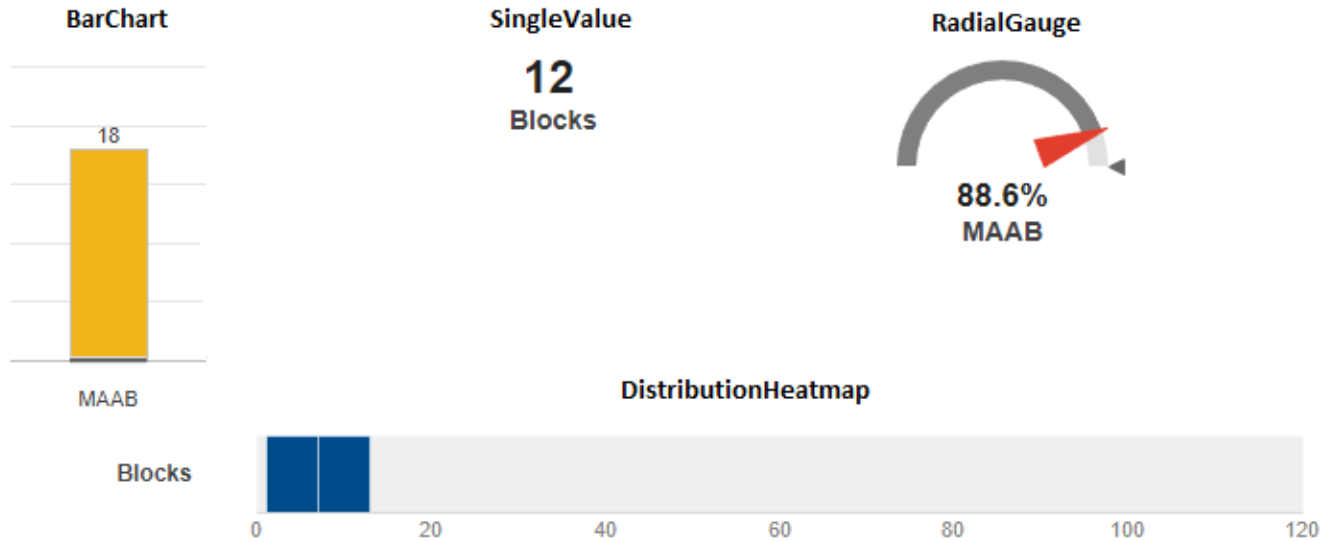
Properties

VisualizationType — Type of `slmetric.dashboard.CustomWidget` object

`SingleValue` (default) | `RadialGauge` | `BarChart` | `DistributionHeatmap`

Type of `slmetric.dashboard.CustomWidget` object that you want to add, remove, or modify in the Metrics Dashboard. This property is read/write. Choose from these widget types:

- bar chart
- single value
- radial gauge
- distribution heatmap



Data Types: char

Labels – Add labels to custom widget

character vector | string scalar

Add labels to custom widget. This property is only for the BarChart VisualizationType property, so you can add apply labels to each individual bar. This property is read/write.

Data Types: char

Title – Title of slmetric.dashboard.CustomWidget object

character vector | string scalar

Specify a title for the custom widget. For a radial gauge, there is a 16 character limit. This property is read/write.

Data Types: char

Type – Type of slmetric.dashboard.CustomWidget object

'Custom'

Type of slmetric.dashboard.CustomWidget object. This property is read-only.

Data Types: char

Methods

getSeparators	Determine whether there are lines on sides of Metrics Dashboard custom widget
getWidths	Obtain widths of Metrics Dashboard custom widget
setSeparators	Specify lines on Metrics Dashboard custom widget sides
setWidths	Specify multiples widths for Metrics Dashboard custom widget
setMetricIDs	Set metric identifier for custom Metrics Dashboard widget
getHeight	Obtain height of Metrics Dashboard custom widget
getMetricIDs	Obtain metric identifier for custom Metrics Dashboard widget
getPosition	Obtain custom widget position within Metrics Dashboard
setPosition	Set custom widget position within Metrics Dashboard
setHeight	Specify height of Metrics Dashboard custom widget

Examples

Add a Custom Widget to a Group

Create a custom metric that counts nonvirtual blocks. Specify a widget to display this metric on the Metrics Dashboard. Add it to the Size Group.

Create a custom metric class.

```
className = 'nonvirtualblockcount';
slmetric.metric.createNewMetricClass(className);
```

Create the nonvirtual block count metric by adding this code to the nonvirtualblockcount.m file.

```
classdef nonvirtualblockcount < slmetric.metric.Metric
    %nonvirtualblockcount calculates number of nonvirtual blocks per level.
    % BusCreator, BusSelector and BusAssign are treated as nonvirtual.
    properties
        VirtualBlockTypes = {'Demux','From','Goto','Ground', ...
            'GotoTagVisiblity','Mux','SignalSpecification', ...
            'Terminator','Inport'};
    end

    methods
        function this = nonvirtualblockcount()
            this.ID = 'nonvirtualblockcount';
            this.Name = 'Nonvirtual Block Count';
            this.Version = 1;
            this.CompileContext = 'None';
            this.Description = 'Algorithm that counts nonvirtual blocks per level.';
            this.AggregatedValueName = 'Nonvirtual Blocks (incl. Descendants)';
            this.ValueName = 'Nonvirtual Blocks';
            this.ComponentScope = [Advisor.component.Types.Model, ...
                Advisor.component.Types.SubSystem];
            this.AggregationMode = slmetric.AggregationMode.Sum;
            this.ResultChecksumCoverage = true;
            this.SupportsResultDetails = true;
        end
    end
end
```

```

end

function res = algorithm(this, component)
    % create a result object for this component
    res = slmetric.metric.Result();

    % set the component and metric ID
    res.ComponentID = component.ID;
    res.MetricID = this.ID;

    % Practice
    D1=slmetric.metric.ResultDetail('identifier 1','Name 1');
    D1.Value=0;
    D1.setGroup('Group1','GroupName');
    D2=slmetric.metric.ResultDetail('identifier 2','Name 2');
    D2.Value=1;
    D2.setGroup('Group1','GroupName');

    % use find_system to get blocks inside this component
    blocks = find_system(getPath(component), ...
        'SearchDepth', 1, ...
        'Type', 'Block');

    isNonVirtual = true(size(blocks));

    for n=1:length(blocks)
        blockType = get_param(blocks{n}, 'BlockType');

        if any(strcmp(this.VirtualBlockTypes, blockType))
            isNonVirtual(n) = false;
        else
            switch blockType
                case 'SubSystem'
                    % Virtual unless the block is conditionally executed
                    % or the Treat as atomic unit check box is selected.
                    if strcmp(get_param(blocks{n}, 'IsSubSystemVirtual'), ...
                        'on')
                        isNonVirtual(n) = false;
                    end
                case 'Outputport'
                    % Outputport: Virtual when the block resides within
                    % SubSystem block (conditional or not), and
                    % does not reside in the root (top-level) Simulink window.
                    if component.Type ~= Advisor.component.Types.Model
                        isNonVirtual(n) = false;
                    end
                case 'Selector'
                    % Virtual only when Number of input dimensions
                    % specifies 1 and Index Option specifies Select
                    % all, Index vector (dialog), or Starting index (dialog).
                    nod = get_param(blocks{n}, 'NumberOfDimensions');
                    ios = get_param(blocks{n}, 'IndexOptionArray');

                    ios_settings = {'Assign all', 'Index vector (dialog)', ...
                        'Starting index (dialog)'};
            end
        end
    end
end

```

```

        if nod == 1 && any(strcmp(ios_settings, ios))
            isNonVirtual(n) = false;
        end
        case 'Trigger'
            % Virtual when the output port is not present.
            if strcmp(get_param(blocks{n}, 'ShowOutputPort'), 'off')
                isNonVirtual(n) = false;
            end
        case 'Enable'
            % Virtual unless connected directly to an Outport block.
            isNonVirtual(n) = false;

            if strcmp(get_param(blocks{n}, 'ShowOutputPort'), 'on')
                pc = get_param(blocks{n}, 'PortConnectivity');

                if ~isempty(pc.DstBlock) && ...
                    strcmp(get_param(pc.DstBlock, 'BlockType'), ...
                        'Outport')
                    isNonVirtual(n) = true;
                end
            end
        end
    end
end
end
end
end

blocks = blocks(isNonVirtual);

res.Value = length(blocks);
end
end
end
end

```

Register the new metric in the metric repository.

```
[id_metric,err_msg] = slmetric.metric.registerMetric(className);
```

To begin, open the default configuration for the Metrics Dashboard layout.

```
conf = slmetric.dashboard.Configuration.open();
```

Obtain the `slmetric.dashboard.Layout` object from the `slmetric.dashboard.Configuration` object.

```
layout = getDashboardLayout(conf);
```

Obtain widget objects that are in the layout object.

```
layoutWidget = getWidgets(layout);
```

Remove the widget that represents the Simulink block count metric.

```
sizeGroup = layoutWidget(2);
sizeGroupWidgets = sizeGroup.getWidgets();
sizeGroup.removeWidget(sizeGroupWidgets(1));
```

Add a widget that displays the nonvirtual block count metric. For custom widgets, the default visualization type is single value. If you want to use a different visualization technique, specify a different value for the `VisualizationType` property.

```
newWidget = sizeGroup.addWidget('Custom', 1);  
newWidget.Title = ('Nonvirtual Block Count');  
newWidget.setMetricIDs('nonvirtualblockcount');  
newWidget.setWidths(slmetric.dashboard.Width.Medium);  
newWidget.setHeight(70);
```

Specify whether there are lines separating the custom widget from other widgets in the group. These commands specify that there is a line to the right of the widget.

```
s.top = false;  
s.bottom = false;  
s.left = false;  
s.right = true;  
newWidget.setSeparators([s, s, s, s]);
```

Save the configuration object. This command serializes the API information to an XML file.

```
save(conf, 'Filename', 'DashboardConfig.xml');
```

Set the active configuration.

```
slmetric.dashboard.setActiveConfiguration(fullfile(pwd, 'DashboardConfig.xml'));
```

For a model, open the Metrics Dashboard.

```
metricsdashboard vdp
```

Click the **All Metrics** button to run all metrics.

See Also

```
slmetric.dashboard.setActiveConfiguration |  
slmetric.dashboard.getActiveConfiguration
```

Topics

“Collect Model Metric Data by Using the Metrics Dashboard”

“Customize Metrics Dashboard Layout and Functionality”

Introduced in R2018b

slmetric.dashboard.Group class

Package: slmetric.dashboard

Widget for holding slmetric.dashboard.Container, slmetric.dashboard.Widget and slmetric.dashboard.CustomWidget objects on Metrics Dashboard

Description

An slmetric.dashboard.Group object can hold slmetric.dashboard.Container, slmetric.dashboard.Widget and slmetric.dashboard.CustomWidget objects. You can use the slmetric.dashboard.Group methods and properties to specify the group size, width, and title.

For example, the image is of the default Metrics Dashboard layout. This portion of the Metrics Dashboard contains an slmetric.dashboard.Group widget with the title Size. This group contains three slmetric.dashboard.Container widgets. The containers on the left and right each contain one slmetric.dashboard.Widget object. The middle container contains two slmetric.dashboard.Widget objects.



Construction

`group = slmetric.dashboard.Group` creates a handle to an slmetric.dashboard.Group object.

Properties

Title — Specify title of metrics group

Character vector | String | scalar

Specify title for a group of slmetric.dashboard.Widget and slmetric.dashboard.CustomWidget objects. The title must summarize the types of widgets in the group. For example, a group with the title Size contains widgets pertaining to the size of the model. This property is read/write.

Type — Widget type

Group (default)

This widget type is a group. This property is read-only.

ShowBorder — Display a border around the slmetric.dashboard.Group object

0 (default) | logical

If `true`, the `slmetric.dashboard.Group` object has a border around it in the Metrics Dashboard. This property is read/write.

Methods

<code>addWidget</code>	Add widget to <code>slmetric.dashboard.Group</code> object
<code>getSeparators</code>	Determine whether there are lines on sides of Metrics Dashboard group
<code>getWidgets</code>	Obtain a list of widgets in an <code>slmetric.dashboard.Group</code> object
<code>getWidths</code>	Obtain widths of Metrics Dashboard group
<code>removeWidget</code>	Remove widget from <code>slmetric.dashboard.Group</code> object
<code>setSeparators</code>	Specify lines on Metrics Dashboard group sides
<code>setWidths</code>	Specify multiple widths for Metrics Dashboard group
<code>getMargin</code>	Obtain distance from group edge to contents
<code>getPosition</code>	Obtain group position within Metrics Dashboard
<code>setMargin</code>	Specify distance from group edge to its contents
<code>setPosition</code>	Set group position within Metrics Dashboard

Examples

Add a Custom Widget to a Group

Create a custom metric that counts nonvirtual blocks. Specify a widget to display this metric on the Metrics Dashboard. Add it to the Size Group.

Create a custom metric class.

```
className = 'nonvirtualblockcount';
slmetric.metric.createNewMetricClass(className);
```

Create the nonvirtual block count metric by adding this code to the `nonvirtualblockcount.m` file.

```
classdef nonvirtualblockcount < slmetric.metric.Metric
    %nonvirtualblockcount calculates number of nonvirtual blocks per level.
    % BusCreator, BusSelector and BusAssign are treated as nonvirtual.
    properties
        VirtualBlockTypes = {'Demux','From','Goto','Ground', ...
            'GotoTagVisiblity','Mux','SignalSpecification', ...
            'Terminator','Inport'};
    end

    methods
        function this = nonvirtualblockcount()
            this.ID = 'nonvirtualblockcount';
            this.Name = 'Nonvirtual Block Count';
            this.Version = 1;
            this.CompileContext = 'None';
            this.Description = 'Algorithm that counts nonvirtual blocks per level.';
            this.AggregatedValueName = 'Nonvirtual Blocks (incl. Descendants)'
            this.ValueName = 'Nonvirtual Blocks'
            this.ComponentScope = [Advisor.component.Types.Model, ...
```



```

        Advisor.component.Types.SubSystem];
this.AggregationMode = slmetric.AggregationMode.Sum;
this.ResultChecksumCoverage = true;
this.SupportsResultDetails = true;

end

function res = algorithm(this, component)
% create a result object for this component
res = slmetric.metric.Result();

% set the component and metric ID
res.ComponentID = component.ID;
res.MetricID = this.ID;

% Practice
D1=slmetric.metric.ResultDetail('identifier 1','Name 1');
D1.Value=0;
D1.setGroup('Group1','GroupName');
D2=slmetric.metric.ResultDetail('identifier 2','Name 2');
D2.Value=1;
D2.setGroup('Group1','GroupName');

% use find_system to get blocks inside this component
blocks = find_system(getPath(component), ...
    'SearchDepth', 1, ...
    'Type', 'Block');

isNonVirtual = true(size(blocks));

for n=1:length(blocks)
    blockType = get_param(blocks{n}, 'BlockType');

    if any(strcmp(this.VirtualBlockTypes, blockType))
        isNonVirtual(n) = false;
    else
        switch blockType
            case 'SubSystem'
                % Virtual unless the block is conditionally executed
                % or the Treat as atomic unit check box is selected.
                if strcmp(get_param(blocks{n}, 'IsSubSystemVirtual'), ...
                    'on')
                    isNonVirtual(n) = false;
                end
            case 'Outport'
                % Outport: Virtual when the block resides within
                % SubSystem block (conditional or not), and
                % does not reside in the root (top-level) Simulink window.
                if component.Type ~= Advisor.component.Types.Model
                    isNonVirtual(n) = false;
                end
            case 'Selector'
                % Virtual only when Number of input dimensions
                % specifies 1 and Index Option specifies Select
                % all, Index vector (dialog), or Starting index (dialog).
                nod = get_param(blocks{n}, 'NumberOfDimensions');

```

```

        ios = get_param(blocks{n}, 'IndexOptionArray');

        ios_settings = {'Assign all', 'Index vector (dialog)', ...
            'Starting index (dialog)'};

        if nod == 1 && any(strcmp(ios_settings, ios))
            isNonVirtual(n) = false;
        end
    case 'Trigger'
        % Virtual when the output port is not present.
        if strcmp(get_param(blocks{n}, 'ShowOutputPort'), 'off')
            isNonVirtual(n) = false;
        end
    case 'Enable'
        % Virtual unless connected directly to an Outport block.
        isNonVirtual(n) = false;

        if strcmp(get_param(blocks{n}, 'ShowOutputPort'), 'on')
            pc = get_param(blocks{n}, 'PortConnectivity');

            if ~isempty(pc.DstBlock) && ...
                strcmp(get_param(pc.DstBlock, 'BlockType'), ...
                    'Outport')
                isNonVirtual(n) = true;
            end
        end
    end
end
end
end
end

        blocks = blocks(isNonVirtual);

        res.Value = length(blocks);
    end
end
end

```

Register the new metric in the metric repository.

```
[id_metric,err_msg] = slmetric.metric.registerMetric(className);
```

To begin, open the default configuration for the Metrics Dashboard layout.

```
conf = slmetric.dashboard.Configuration.open();
```

Obtain the `slmetric.dashboard.Layout` object from the `slmetric.dashboard.Configuration` object.

```
layout = getDashboardLayout(conf);
```

Obtain widget objects that are in the layout object.

```
layoutWidget = getWidgets(layout);
```

Remove the widget that represents the Simulink block count metric.

```
sizeGroup = layoutWidget(2);
sizeGroupWidgets = sizeGroup.getWidgets();
sizeGroup.removeWidget(sizeGroupWidgets(1));
```

Add a widget that displays the nonvirtual block count metric. For custom widgets, the default visualization type is single value. If you want to use a different visualization technique, specify a different value for the `VisualizationType` property.

```
newWidget = sizeGroup.addWidget('Custom', 1);
newWidget.Title = ('Nonvirtual Block Count');
newWidget.setMetricIDs('nonvirtualblockcount');
newWidget.setWidths(slmetric.dashboard.Width.Medium);
newWidget.setHeight(70);
```

Specify whether there are lines separating the custom widget from other widgets in the group. These commands specify that there is a line to the right of the widget.

```
s.top = false;
s.bottom = false;
s.left = false;
s.right = true;
newWidget.setSeparators([s, s, s, s]);
```

Save the configuration object. This command serializes the API information to an XML file.

```
save(conf, 'Filename', 'DashboardConfig.xml');
```

Set the active configuration.

```
slmetric.dashboard.setActiveConfiguration(fullfile(pwd, 'DashboardConfig.xml'));
```

For your model, open the Metrics Dashboard.

```
metricsdashboard vdp
```

Click the **All Metrics** button to run all metrics.

See Also

```
slmetric.dashboard.setActiveConfiguration |
slmetric.dashboard.getActiveConfiguration
```

Topics

“Collect Model Metric Data by Using the Metrics Dashboard”
 “Customize Metrics Dashboard Layout and Functionality”

Introduced in R2018b

slmetric.dashboard.Layout class

Package: `slmetric.dashboard`

Create object for holding Metrics Dashboard customizations

Description

Object that holds an array of widget objects. The size, types, and locations of widgets in an `slmetric.dashboard.Layout` object determine the Metrics Dashboard appearance. These are the widget objects:

- `slmetric.dashboard.Group`
- `slmetric.dashboard.Container`
- `slmetric.dashboard.Widget`
- `slmetric.dashboard.CustomWidget`

Construction

For an `slmetric.dashboard.Configuration` object, use the `getDashboardLayout` method to create an `slmetric.dashboard.Layout` object. You can add or remove widgets from this object. You can specify the size and location of these widgets in the Metrics Dashboard. Once you complete your specification, apply the `slmetric.dashboard.Configuration.save` method to save your configuration. Use the `slmetric.dashboard.setActiveConfiguration` function to set the active configuration.

Methods

<code>addWidget</code>	Add widget to <code>slmetric.dashboard.Layout</code> object
<code>getWidgets</code>	Obtain a list of widgets in an <code>slmetric.dashboard.Layout</code> object
<code>removeWidget</code>	Remove widget from <code>slmetric.dashboard.Layout</code> object

Examples

Configure Compliance Metrics

You can use the Metrics Dashboard and metric APIs to obtain compliance and issues metric data on your Model Advisor configuration. To set up your Model Advisor configuration, see “Use the Model Advisor Configuration Editor to Customize the Model Advisor”. You can also use an existing check group such as the MISRA checks. After you have set up your Model Advisor configuration, follow these steps to specify the check groups for which you want to obtain compliance and issues metric data:

Open the default configuration:

```
config = slmetric.config.Configuration.open()
```

Specify a metric family ID that you associate with those check groups:

```
famParamID = 'ModelAdvisorStandard';
```

Create a cell array consisting of the Check Group IDs that correspond to the check groups. Obtain a Check Group ID by opening up the Model Advisor Configuration Editor and selecting the folder that contains the group of checks. The folder contains a **Check Group ID** parameter.

```
values = {'maab', 'hisl_do178', '_SYSTEM_By Task_misra_c'};
```

The previous cell array specifies MAB, High-Integrity, and MISRA check groups. The values `maab` and `hisl_do178` correspond to a subset of MAB and High-Integrity System checks. To include all checks, specify the value for the **Check Group ID** parameter from the Model Advisor Configuration Editor.

To set up the configuration, pass the `values` cell array into the `setMetricFamilyParameterValues` method.

```
setMetricFamilyParameterValues(config, famParamID, values);
```

Point the **High Integrity Compliance** and **High Integrity Check Issues** widgets to the MISRA check group. To begin, open the default configuration for the Metrics Dashboard layout.

```
conf = slmetric.dashboard.Configuration.open();
```

Obtain the `slmetric.dashboard.Layout` object from the `slmetric.dashboard.Configuration` object `conf`.

```
layout = getDashboardLayout(conf);
```

Obtain the widget objects that are in the layout object.

```
layoutWidget = getWidgets(layout);
```

Obtain the compliance group from the layout. This group contains two containers. The first container contains the High Integrity and MAB Compliance and Check Issues widgets. Remove the **High Integrity Compliance** widget.

```
complianceGroup = layoutWidget(3);
complianceContainers = getWidgets(complianceGroup);
complianceContainerWidgets = getWidgets(complianceContainers(1));
complianceContainers(1).removeWidget(complianceContainerWidgets(1));
setMetricIDs(complianceContainerWidgets(1), ...
({'mathworks.metrics.ModelAdvisorCompliance._SYSTEM_By Task_misra_c'}));
complianceContainerWidgets(1).Labels = {'MISRA'};
```

Add a custom widget for visualizing MISRA check issues metrics to the `complianceContainers` `slmetric.dashboard.Container` object.

```
misraWidget = complianceContainers(1).addWidget('Custom', 1);
misraWidget.Title = ('MISRA');
misraWidget.VisualizationType = 'RadialGauge';
misraWidget.setMetricIDs('mathworks.metrics.ModelAdvisorCheckCompliance._SYSTEM_By Task_misra_c');
misraWidget.setWidths(slmetric.dashboard.Width.Medium);
```

Save the configuration objects. These commands serialize the API information to XML files.

```
save(config, 'FileName', 'MetricConfig.xml');
save(conf, 'Filename', 'DashboardConfig.xml');
```

Set the active configurations.

```
slmetric.config.setActiveConfiguration(fullfile(pwd, 'MetricConfig.xml'));  
slmetric.dashboard.setActiveConfiguration(fullfile(pwd, 'DashboardConfig.xml'));
```

For a model, open the Metrics Dashboard.

```
metricsdashboard vdp
```

Click the **All Metrics** button to run all metrics.

See Also

[slmetric.dashboard.setActiveConfiguration](#) |
[slmetric.dashboard.getActiveConfiguration](#)

Topics

[“Collect Model Metric Data by Using the Metrics Dashboard”](#)
[“Customize Metrics Dashboard Layout and Functionality”](#)

Introduced in R2018b

slmetric.dashboard.Widget class

Package: slmetric.dashboard

Object for holding Actual/Potential Reuse, System Interface, or System Info widgets

Description

You can add, remove, or modify `slmetric.dashboard.Widget` objects in the Metrics Dashboard. The types of `slmetric.dashboard.Widget` objects are **Actual Reuse/Potential Reuse**, **System Interface**, or **System Info** widgets.

Construction

For `slmetric.dashboard.Layout`, `slmetric.dashboard.Container`, or `slmetric.dashboard.Group` objects, use the `addWidget` or `removeWidget` methods to add or remove `slmetric.dashboard.Widget` objects from the Metrics Dashboard. Use the `slmetric.dashboard.Widget` methods to specify widget size.

Properties

Title — Title of `slmetric.dashboard.Widget` object

character vector | string scalar

By default, the `LibraryReuse` widget title is `Library Reuse`, the `SystemInfo` widget title is blank, and the `GlocalInterface` widget title is `System Interface`. This property is read/write.

Data Types: char

Type — Type of `slmetric.dashboard.Widget` object

`LibraryReuse` | `SystemInfo` | `GlocalInterface`

Type of `slmetric.dashboard.Widget` object that you want to add, remove, or modify in the Metrics Dashboard. This property is read-only.

Data Types: char

Methods

<code>getSeparators</code>	Determine whether there are lines on sides of Metrics Dashboard widget
<code>getWidths</code>	Obtain widths of Metrics Dashboard widget
<code>setSeparators</code>	Specify lines on Metrics Dashboard widget sides
<code>setWidths</code>	Specify multiple widths for Metrics Dashboard widget
<code>getMetricIDs</code>	Obtain metric identifier for Metrics Dashboard widget
<code>getHeight</code>	Obtain height of Metrics Dashboard widget
<code>getPosition</code>	Obtain widget position within Metrics Dashboard
<code>setHeight</code>	Specify height of Metrics Dashboard widget
<code>setPosition</code>	Set widget position within Metrics Dashboard

Examples

Create Metrics Dashboard with Three Widget Objects

Create a Metrics Dashboard with the three types of `slmetric.dashboard.Widget` objects.

To begin, create a new `slmetric.dashboard.Configuration` object.

```
config = slmetric.dashboard.Configuration.new('Name', 'default');
```

Obtain the `slmetric.dashboard.Layout` object from the `slmetric.dashboard.Configuration` object.

```
layout = getDashboardLayout(config);
```

Add the three `slmetric.dashboard.Widget` objects to the `slmetric.dashboard.Layout` object.

```
addWidget(layout, 'LibraryReuse');  
addWidget(layout, 'SystemInfo');  
addWidget(layout, 'GlocalInterface');
```

Save the configuration object. This command serializes the API information to an XML file.

```
save(config, 'FileName', 'DashboardConfig.xml');
```

Set the active configuration.

```
slmetric.dashboard.setActiveConfiguration(fullfile(pwd, 'DashboardConfig.xml'));
```

For your model, open the Metrics Dashboard.

```
metricsdashboard vdp
```

The Metrics Dashboard contains the three `slmetric.dashboard.Widget` objects.

Click the **All Metrics** button to run all metrics.

See Also

`slmetric.dashboard.setActiveConfiguration` |
`slmetric.dashboard.getActiveConfiguration`

Topics

“Collect Model Metric Data by Using the Metrics Dashboard”
“Customize Metrics Dashboard Layout and Functionality”

Introduced in R2018b

getDashboardLayout

Class: `slmetric.dashboard.Configuration`

Package: `slmetric.dashboard`

Create Metrics Dashboard layout object in base workspace

Syntax

```
Layout = getDashboardLayout(conf)
```

Description

`Layout = getDashboardLayout(conf)` creates an `slmetric.dashboard.Layout` object in the base workspace. Use this object to specify the location, size, and types of widgets that are in the Metrics Dashboard.

Input Arguments

conf — Metrics Dashboard configuration object

`slmetric.dashboard.Configuration` object

`slmetric.dashboard.Configuration` object for which to create a custom Metrics Dashboard configuration. By default, an `slmetric.dashboard.Configuration` object holds an empty `slmetric.dashboard.Layout` object.

Output Arguments

Layout — Metrics Dashboard layout object

`slmetric.dashboard.Layout` object

`slmetric.dashboard.Layout` object for which to specify the location, size, and types of widgets in the Metrics Dashboard.

Examples

Obtain an `slmetric.dashboard.Layout` Object

Use the new method to create an `slmetric.dashboard.Configuration` object. As an input, specify the name of the XML file that is to contain information on a custom metrics dashboard layout. After you add this information to the configuration object, use the `slmetric.dashboard.Configuration.save` method to save the file.

```
CONF = slmetric.dashboard.Configuration.new('Name', 'default')
```

```
CONF =
```

```
Configuration with properties:
```

```
Name: 'default'  
FileName: ''  
Location: ''
```

Obtain the `slmetric.dashboard.Layout` object from the `slmetric.dashboard.Configuration` object.

```
layout = getDashboardLayout(CONF);
```

See Also

`slmetric.dashboard.setActiveConfiguration` |
`slmetric.dashboard.getActiveConfiguration` | `slmetric.dashboard.Configuration`

Topics

“Collect Model Metric Data by Using the Metrics Dashboard”
“Customize Metrics Dashboard Layout and Functionality”

Introduced in R2018b

slmetric.dashboard.Configuration.new

Class: slmetric.dashboard.Configuration

Package: slmetric.dashboard

Create configuration object for customizing Metrics Dashboard layout

Syntax

```
Co = slmetric.dashboard.Configuration.new('Name', 'Default')
```

Description

Create an `slmetric.dashboard.Configuration` object for holding customizations pertaining to the Metrics Dashboard layout. Use the `save` command to create and store an associated XML configuration file.

`Co = slmetric.dashboard.Configuration.new('Name', 'Default')` creates a configuration object.

Input Arguments

Name — Name of configuration object that is tagged in XML file

character vector | string scalar

Name of configuration object in XML file that contains customizations pertaining to the layout and types of widgets on the Metrics Dashboard.

Data Types: char

Output Arguments

Co — Configuration object

character vector | string scalar

Name of `slmetric.dashboard.Configuration` object that contains customizations pertaining to the layout and types of widgets on the Metrics Dashboard.

Data Types: char

Examples

Create a Configuration Object

Use the `new` method to create an `slmetric.dashboard.Configuration` object. As an input, specify a configuration object name. This name is then associated with a tag in the configuration object XML file. After adding information to the configuration object, use the `save` method to create and store an associated XML file.

```
CONF = slmetric.dashboard.Configuration.new('Name','default')
```

CONF =

Configuration with properties:

```
Name: 'default'  
FileName: ''  
Location: ''
```

See Also

`slmetric.config.Configuration` | `slmetric.config.getActiveConfiguration` |
`slmetric.config.setActiveConfiguration`

Introduced in R2018b

open

Class: `slmetric.dashboard.Configuration`

Package: `slmetric.dashboard`

Create `slmetric.dashboard.Configuration` object associated with XML configuration file in the base workspace

Syntax

```
Co = slmetric.dashboard.Configuration.open('FileName','myConfig.xml',...  
'Location', pwd,'locale', 'ja_JP')
```

Description

Reads the contents of the XML file containing the Metrics Dashboard layout into memory and returns the corresponding configuration object. If you modify the contents of the configuration object, invoke the `save` method to write to the XML file.

```
Co = slmetric.dashboard.Configuration.open('FileName','myConfig.xml',...  
'Location', pwd,'locale', 'ja_JP')
```

 reads a configuration file.

Note If you do not supply an input argument, the `slmetric.dashboard.Configuration.open` command reads the contents of the default Metrics Dashboard layout XML file into memory and returns the corresponding `slmetric.dashboard.Configuration` object.

Input Arguments

FileName — Name of XML file

character vector | string scalar

Name of XML file containing custom Metrics Dashboard layout and widgets.

Data Types: `char`

Location — Folder containing XML file

character vector | string scalar

Name of folder containing XML file that contains Metrics Dashboard layout. This input argument is optional.

Data Types: `char`

locale — Name of folder containing XML file

character vector | string scalar

Name of folder containing XML file that contains Metrics Dashboard layout. This input argument is optional.

Data Types: `char`

Output Arguments

Co — Configuration object

character vector | string scalar

Name of `slmetric.dashboard.Configuration` object that you want to open.

Data Types: char

Examples

Access an Existing Configuration Object

Use the `open` method to add an existing `slmetric.dashboard.Configuration` object to the base workspace. As an input, specify the name of the XML file that contains the information in the configuration object. If you modify the information that this configuration object contains, use the `save` method to save this information to the XML file.

```
CONF = slmetric.dashboard.Configuration.open('FileName',...  
    'myConfig.xml', 'Location', pwd(), 'locale', 'ja_JP');
```

See Also

Introduced in R2018b

openDefaultConfiguration

Class: `slmetric.dashboard.Configuration`

Package: `slmetric.dashboard`

Return shipping Metrics Dashboard configuration object in base workspace

Syntax

```
DefaultLayout = slmetric.dashboard.Configuration.openDefaultConfiguration
```

Description

`DefaultLayout = slmetric.dashboard.Configuration.openDefaultConfiguration` returns the `slmetric.dashboard.Configuration` object corresponding to the shipping Metrics Dashboard layout in the base workspace. This object contains information on the size, type, and location of all widgets that ship with the Metrics Dashboard. Use this object to add or remove widgets from the shipping Metrics Dashboard configuration.

Output Arguments

DefaultLayout — Default Metrics Dashboard configuration object

`slmetric.dashboard.Configuration` object

`slmetric.dashboard.Configuration` object corresponding to the shipping `slmetric.dashboard.Configuration` object.

Examples

Open shipping Metrics Dashboard Configuration Object

Use the `openDefaultConfiguration` method to return the shipping `slmetric.dashboard.Configuration` object. If you modify the information that this configuration object contains, use the `slmetric.dashboard.Configuration.save` method to save this information to an XML file.

```
CONF = slmetric.dashboard.Configuration.openDefaultConfiguration
```

See Also

`slmetric.dashboard.setActiveConfiguration` |
`slmetric.dashboard.getActiveConfiguration`

Topics

“Collect Model Metric Data by Using the Metrics Dashboard”
“Customize Metrics Dashboard Layout and Functionality”

Introduced in R2018b

save

Class: `slmetric.dashboard.Configuration`

Package: `slmetric.dashboard`

Save contents of `slmetric.dashboard.Configuration` object to XML file

Syntax

```
save(Co,'FileName','myConfig.xml', ... ,'Location',pwd, 'locale', 'ja_JP');
```

Description

Save the contents of a configuration object to an XML file. The configuration object contains information on a custom Metrics Dashboard layout.

`save(Co,'FileName','myConfig.xml', ... ,'Location',pwd, 'locale', 'ja_JP');` saves the contents of a configuration object to an XML file. The XML file applies your customizations to the Metrics Dashboard.

Note Do not manually edit the XML file.

Input Arguments

Co — Metrics Dashboard Configuration object

`slmetric.dashboard.Configuration` object

`slmetric.dashboard.Configuration` object to save to an XML file.

Filename — Name of XML file that contains custom Metrics Dashboard layout

character vector | string scalar

Name of XML file that contains information on the location and types of widgets that are on the Metrics Dashboard.

Data Types: char

Location — Name of folder containing XML file that contains custom Metrics Dashboard layout

character vector | string scalar

Name of XML file that contains information on the location and types of widgets in the Metrics Dashboard. This input argument is optional.

Data Types: char

locale — Create folder that is to contain XML file

character vector | string scalar

Name of new folder that is to contain the XML file that contains information on the location and types of widgets in the Metrics Dashboard. If you do not specify a value for `locale`, Simulink creates the XML file in the folder that you specify with the `Location` property. This input argument is optional.

Data Types: `char`

Serialize a Configuration Object to XML File

Serialize a configuration object to an XML file.

Use the `save` method to serialize an `slmetric.dashboard.Configuration` object to an XML file. If you modify the information that this configuration object contains, use the `slmetric.dashboard.Configuration.save` method to save information to this file.

```
save(CONF, 'config', 'FileName', 'Configfile.xml', 'Location', pwd)
```

Use the `slmetric.config.setActiveConfiguration` function to specify that the metric engine use this configuration.

```
slmetric.config.setActiveConfiguration('C:\temp\Configfile.xml');
```

See Also

`slmetric.dashboard.setActiveConfiguration` |
`slmetric.dashboard.getActiveConfiguration`

Topics

“Collect Model Metric Data by Using the Metrics Dashboard”
“Customize Metrics Dashboard Layout and Functionality”

Introduced in R2018b

addWidget

Class: `slmetric.dashboard.Container`

Package: `slmetric.dashboard`

Add widget to `slmetric.dashboard.Container` object

Syntax

```
newWidget = addWidget(container,widgetType,num)
```

Description

`newWidget = addWidget(container,widgetType,num)` adds a widget to an `slmetric.dashboard.Container` object.

Input Arguments

container — Add widget to Metrics Dashboard

`slmetric.dashboard.Container` object

`slmetric.dashboard.Container` object for which you want to add widgets to customize the Metrics Dashboard layout. This property is read-write.

widgetType — Metrics Dashboard widget

`Group` | `Container` | `SystemInfo` | `GlocalInterface` | `LibraryReuse` | `Custom`

Specify the Type property of an `slmetric.dashboard.Container`, `slmetric.dashboard.Widget`, `slmetric.dashboard.Group`, or `slmetric.dashboard.CustomWidget` object.

Data Types: `char`

num — Widget placement

`int`

Placement of widget in container on Metrics Dashboard. Order of widgets in the container proceeds from left to right, and then down in the container.

Output Arguments

newWidget — New Metrics Dashboard widget

widget object

New widget that you are adding to an `slmetric.dashboard.Container` object on the Metrics Dashboard. You can add these widgets to a container:

- `slmetric.dashboard.Group`
- `slmetric.dashboard.Container`
- `slmetric.dashboard.CustomWidget`

- `slmetric.dashboard.Widget`

Examples

Configure Compliance Metrics

You can use the Metrics Dashboard and metric APIs to obtain compliance and issues metric data on your Model Advisor configuration. To set up your Model Advisor configuration, see “Use the Model Advisor Configuration Editor to Customize the Model Advisor”. You can also use an existing check group such as the MISRA checks. After you have set up your Model Advisor configuration, follow these steps to specify the check groups for which you want to obtain compliance and issues metric data:

Open the default configuration:

```
config=slmetric.config.Configuration.open()
```

Specify a metric family ID that you associate with those check groups:

```
famParamID = 'ModelAdvisorStandard';
```

Create a cell array consisting of the Check Group IDs that correspond to the check groups. Obtain a Check Group ID by opening up the Model Advisor Configuration Editor and selecting the folder that contains the group of checks. The folder contains a **Check Group ID** parameter.

```
values = {'maab', 'hisl_do178', '_SYSTEM_By Task_misra_c'};
```

The previous cell array specifies MAB, High-Integrity, and MISRA check groups. The values `maab` and `hisl_do178` correspond to a subset of MAB and High-Integrity System checks. To include all checks, specify the value for the **Check Group ID** parameter from the Model Advisor Configuration editor.

To set up the configuration, pass the `values` cell array into the `setMetricFamilyParameterValues` method.

```
setMetricFamilyParameterValues(config, famParamID, values);
```

Point the **High Integrity Compliance** and **High Integrity Check Issues** widgets to MISRA check group. To begin, open the default configuration for the Metrics Dashboard layout.

```
conf = slmetric.dashboard.Configuration.open();
```

Obtain the `slmetric.dashboard.Layout` object from the `slmetric.dashboard.Configuration` object `conf`.

```
layout = getDashboardLayout(conf);
```

Obtain the widget objects that are in the layout object.

```
layoutWidget=getWidgets(layout);
```

Obtain the compliance group from the layout. This group contains two containers. The first container contains the High Integrity and MAB Compliance and Check Issues widgets. Remove the **High Integrity Compliance** widget.

```
complianceGroup = layoutWidget(3);  
complianceContainers = getWidgets(complianceGroup);
```

```

complianceContainerWidgets = getWidgets(complianceContainers(1));
complianceContainers(1).removeWidget(complianceContainerWidgets(1));
setMetricIDs(complianceContainerWidgets(1),...
({'mathworks.metrics.ModelAdvisorCompliance._SYSTEM_By_Task_misra_c'}));
complianceContainerWidgets(1).Labels={'MISRA'};

```

Add a custom widget for visualizing MISRA check issues metrics to the `complianceContainers slmetric.dashboard.Container` object.

```

misraWidget = complianceContainers(1).addWidget('Custom', 1);
misraWidget.Title={'MISRA'};
misraWidget.VisualizationType = 'RadialGauge';
misraWidget.setMetricIDs(...
'mathworks.metrics.ModelAdvisorCheckCompliance._SYSTEM_By_Task_misra_c');
misraWidget.setWidths(slmetric.dashboard.Width.Medium);

```

Save the configuration objects. These commands serialize the API information to XML files.

```

save(config,'FileName','MetricConfig.xml');
save(conf,'Filename','DashboardConfig.xml');

```

Set the active configurations.

```

slmetric.config.setActiveConfiguration(fullfile(pwd, 'MetricConfig.xml'));
slmetric.dashboard.setActiveConfiguration(fullfile(pwd, 'DashboardConfig.xml'));

```

For your model, open the Metrics Dashboard.

```
metricsdashboard vdp
```

Click the **All Metrics** button to run all metrics.

See Also

```

slmetric.dashboard.setActiveConfiguration |
slmetric.dashboard.getActiveConfiguration

```

Topics

“Collect Model Metric Data by Using the Metrics Dashboard”
“Customize Metrics Dashboard Layout and Functionality”

Introduced in R2018b

getSeparators

Class: `slmetric.dashboard.Container`

Package: `slmetric.dashboard`

Determine whether there are lines on sides of Metrics Dashboard container

Syntax

```
S = getSeparators(container)
```

Description

`S = getSeparators(container)` returns a structure or an array of structures indicating whether there are lines on the sides of an `slmetric.dashboard.Container` object.

Input Arguments

container — Container for which you want to know whether there are separators

`slmetric.dashboard.Container` object

Determine whether there are separators on the sides of an `slmetric.dashboard.Container` object.

Output Arguments

S — Structure of four fields

Structure | Array of Structures

The output is a structure or an array of structures consisting of these fields:

- `S.top`
- `S.bottom`
- `S.left`
- `S.right`

Each field is empty or has a value of 1 or 0. An empty field indicates that you did not set a value. A value of 1 indicates that there is a line on that container side. A value of 0 indicates that there is not a line on that container side.

See Also

`slmetric.dashboard.setActiveConfiguration` |
`slmetric.dashboard.getActiveConfiguration`

Topics

“Collect Model Metric Data by Using the Metrics Dashboard”
“Customize Metrics Dashboard Layout and Functionality”

Introduced in R2018b

getWidgets

Class: `slmetric.dashboard.Container`

Package: `slmetric.dashboard`

Obtain a list of widgets in an `slmetric.dashboard.Container` object

Syntax

```
containerList = getWidgets(container)
```

Description

`containerList = getWidgets(container)` creates an array of objects that are in the `slmetric.dashboard.Container` object. These objects are widgets of the following types:

- `slmetric.dashboard.Group`
- `slmetric.dashboard.Container`
- `slmetric.dashboard.CustomWidget`
- `slmetric.dashboard.Widget`

Use the `getWidgets` method to identify widgets that you want to modify or remove from the `slmetric.dashboard.Container` object.

Input Arguments

container — **Object that holds metric dashboard layout customizations**

`slmetric.dashboard.Container` object

`slmetric.dashboard.Container` object for which you want to obtain a list of widgets.

Output Arguments

containerList — **Array of objects in `slmetric.dashboard.Container` object**

array of objects

Array of objects in `slmetric.dashboard.Container` object.

Examples

Configure Compliance Metrics

You can use the Metrics Dashboard and metric APIs to obtain compliance and issues metric data on your Model Advisor configuration. To set up your Model Advisor configuration, see “Use the Model Advisor Configuration Editor to Customize the Model Advisor”. You can also use an existing check group such as the MISRA checks. After you have set up your Model Advisor configuration, follow these steps to specify the check groups for which you want to obtain compliance and issues metric data:

Open the default configuration:

```
config=slmetric.config.Configuration.open()
```

Specify a metric family ID that you associate with those check groups:

```
famParamID = 'ModelAdvisorStandard';
```

Create a cell array consisting of the Check Group IDs that correspond to the check groups. Obtain a Check Group ID by opening up the Model Advisor Configuration Editor and selecting the folder that contains the group of checks. The folder contains a **Check Group ID** parameter.

```
values = {'maab', 'hisl_do178', '_SYSTEM_By Task_misra_c'};
```

The previous cell array specifies MAB, High-Integrity, and MISRA check groups. The values `maab` and `hisl_do178` correspond to a subset of MAB and High-Integrity System checks. To include all checks, specify the value for the **Check Group ID** parameter from the Model Advisor Configuration Editor.

To set up the configuration, pass the `values` cell array into the `setMetricFamilyParameterValues` method.

```
setMetricFamilyParameterValues(config, famParamID, values);
```

Point the **High Integrity Compliance** and **High Integrity Check Issues** widgets to the MISRA check group. To begin, open the default configuration for the Metrics Dashboard layout.

```
conf = slmetric.dashboard.Configuration.open();
```

Obtain the `slmetric.dashboard.Layout` object from the `slmetric.dashboard.Configuration` object `conf`.

```
layout = getDashboardLayout(conf);
```

Obtain the widget objects that are in the layout object.

```
layoutWidget=getWidgets(layout);
```

Obtain the compliance group from the layout. This group contains two containers. The first container contains the High Integrity and MAB Compliance and Check Issues widgets. Remove the **High Integrity Compliance** widget.

```
complianceGroup = layoutWidget(3);
complianceContainers = getWidgets(complianceGroup);
complianceContainerWidgets = getWidgets(complianceContainers(1));
complianceContainers(1).removeWidget(complianceContainerWidgets(1));
setMetricIDs(complianceContainerWidgets(1),...
({'mathworks.metrics.ModelAdvisorCompliance._SYSTEM_By Task_misra_c'}));
complianceContainerWidgets(1).Labels={'MISRA'};
```

Add a custom widget for visualizing MISRA check issues metrics to the `complianceContainers` `slmetric.dashboard.Container` object.

```
misraWidget = complianceContainers(1).addWidget('Custom', 1);
misraWidget.Title={'MISRA'};
misraWidget.VisualizationType = 'RadialGauge';
misraWidget.setMetricIDs('mathworks.metrics.ModelAdvisorCheckCompliance._SYSTEM_By Task_misra_c');
misraWidget.setWidths(slmetric.dashboard.Width.Medium);
```

Save the configuration objects. These commands serialize the API information to XML files.

```
save(config, 'FileName', 'MetricConfig.xml');  
save(conf, 'Filename', 'DashboardConfig.xml');
```

Set the active configurations.

```
slmetric.config.setActiveConfiguration(fullfile(pwd, 'MetricConfig.xml'));  
slmetric.dashboard.setActiveConfiguration(fullfile(pwd, 'DashboardConfig.xml'));
```

For your model, open the Metrics Dashboard.

```
metricsdashboard vdp
```

Click the **All Metrics** button to run all metrics.

See Also

```
slmetric.dashboard.setActiveConfiguration |  
slmetric.dashboard.getActiveConfiguration
```

Topics

“Collect Model Metric Data by Using the Metrics Dashboard”

“Customize Metrics Dashboard Layout and Functionality”

Introduced in R2018b

getWidths

Class: `slmetric.dashboard.Container`

Package: `slmetric.dashboard`

Obtain widths of Metrics Dashboard container

Syntax

```
Widths = getWidths(containerName)
```

Description

`Widths = getWidths(containerName)` returns an `slmetric.dashboard.Width` object array consisting of four enumerations. Use the `slmetric.dashboard.Container.setWidths` method to set the width sizes. You can set between one and four sizes. If you set just one size, the array contains four of the same enumerations. These are the possible enumeration values:

- `slmetric.dashboard.Width.ExtraSmall`
- `slmetric.dashboard.Width.Small`
- `slmetric.dashboard.Width.Medium`
- `slmetric.dashboard.Width.Large`
- `slmetric.dashboard.Width.XLarge`
- `slmetric.dashboard.Width.XXLarge`

These values correspond to the sizes that a container can have as the screen size changes. If the container has one value, the container always has the same size regardless of the screen size. If the container has four different values, the container size can change four times as you maximize or minimize the screen.

Input Arguments

containerName — Metrics Dashboard container

`slmetric.dashboard.Container` object

Container for which you want to obtain widths

Data Types: `char`

Output Arguments

Widths — Container widths

`slmetric.dashboard.Width` enumeration array

`slmetric.dashboard.Width` enumeration array consisting of between one and four of these values:

- `slmetric.dashboard.Width.ExtraSmall`

- `slmetric.dashboard.Width.Small`
- `slmetric.dashboard.Width.Medium`
- `slmetric.dashboard.Width.Large`
- `slmetric.dashboard.Width.XLarge`
- `slmetric.dashboard.Width.XXLarge`

Examples

Configure Compliance Metrics

You can use the Metrics Dashboard and metric APIs to obtain compliance and issues metric data on your Model Advisor configuration. To set up your Model Advisor configuration, see “Use the Model Advisor Configuration Editor to Customize the Model Advisor”. You can also use an existing check group such as the MISRA checks. After you have set up your Model Advisor configuration, follow these steps to specify the check groups for which you want to obtain compliance and issues metric data:

Open the default configuration:

```
config=slmetric.config.Configuration.open()
```

Specify a metric family ID that you associate with those check groups:

```
famParamID = 'ModelAdvisorStandard';
```

Create a cell array consisting of the Check Group IDs that correspond to the check groups. Obtain a Check Group ID by opening up the Model Advisor Configuration Editor and selecting the folder that contains the group of checks. The folder contains a **Check Group ID** parameter.

```
values = {'maab', 'hisl_do178', '_SYSTEM_By Task_misra_c'};
```

The previous cell array specifies MAB, High-Integrity, and MISRA check groups. The values `maab` and `hisl_do178` correspond to a subset of MAB and High-Integrity System checks. To include all checks, specify the value for the **Check Group ID** parameter from the Model Advisor Configuration editor.

To set up the configuration, pass the `values` cell array into the `setMetricFamilyParameterValues` method .

```
setMetricFamilyParameterValues(config, famParamID, values);
```

Point the **High Integrity Compliance** and **High Integrity Check Issues** widgets to MISRA check group. To begin, open the default configuration for the Metrics Dashboard layout.

```
conf = slmetric.dashboard.Configuration.open();
```

Obtain the `slmetric.dashboard.Layout` object from the `slmetric.dashboard.Configuration` object `conf`.

```
layout = getDashboardLayout(conf);
```

Obtain the widget objects that are in the layout object.

```
layoutWidget=getWidgets(layout);
```

Obtain the compliance group from the layout. This group contains two containers. The first container contains the High Integrity and MAB Compliance and Check Issues widgets. Remove the **High Integrity Compliance** widget.

```
complianceGroup = layoutWidget(3);
complianceContainers = getWidgets(complianceGroup);
complianceContainerWidgets = getWidgets(complianceContainers(1));
complianceContainers(1).removeWidget(complianceContainerWidgets(1));
setMetricIDs(complianceContainerWidgets(1),...
({'mathworks.metrics.ModelAdvisorCompliance._SYSTEM_By Task_misra_c'}));
complianceContainerWidgets(1).Labels={'MISRA'};
```

Add a custom widget for visualizing MISRA check issues metrics to the complianceContainers slmetric.dashboard.Container object.

```
misraWidget = complianceContainers(1).addWidget('Custom', 1);
misraWidget.Title={'MISRA'};
misraWidget.VisualizationType = 'RadialGauge';
misraWidget.setMetricIDs('mathworks.metrics.ModelAdvisorCheckCompliance._SYSTEM_By Task_misra_c');
misraWidget.setWidths(slmetric.dashboard.Width.Medium);
```

Save the configuration objects. These commands serialize the API information to XML files.

```
save(config, 'FileName', 'MetricConfig.xml');
save(conf, 'Filename', 'DashboardConfig.xml');
```

Set the active configurations.

```
slmetric.config.setActiveConfiguration(fullfile(pwd, 'MetricConfig.xml'));
slmetric.dashboard.setActiveConfiguration(fullfile(pwd, 'DashboardConfig.xml'));
```

For your model, open the Metrics Dashboard.

```
metricsdashboard vdp
```

Click the **All Metrics** button to run all metrics.

See Also

```
slmetric.dashboard.setActiveConfiguration |
slmetric.dashboard.getActiveConfiguration
```

Topics

“Collect Model Metric Data by Using the Metrics Dashboard”
 “Customize Metrics Dashboard Layout and Functionality”

Introduced in R2018b

removeWidget

Class: `slmetric.dashboard.Container`

Package: `slmetric.dashboard`

Remove widget from `slmetric.dashboard.Container` object

Syntax

```
removeWidget(container,widget)
```

Description

`removeWidget(container,widget)` removes a widget from an `slmetric.dashboard.Container` object. You can remove these widgets from the Metrics Dashboard:

- `slmetric.dashboard.Group`
- `slmetric.dashboard.Container`
- `slmetric.dashboard.CustomWidget`
- `slmetric.dashboard.Widget`

Use the `getWidgets` method to identify widgets that you want to remove from an `slmetric.dashboard.Container` object.

Input Arguments

group — Remove widget from group in Metrics Dashboard

`slmetric.dashboard.Group` object

Remove widget object from an `slmetric.dashboard.Group` object.

widget — Widget that you want to remove from a `slmetric.dashboard.Group` object

`index of widget in array`

Widget object that you want to remove from an `slmetric.dashboard.Group` object. Apply the `removeWidget` method to the array index containing the widget that you want to remove from the group in the `slmetric.dashboard.Layout` object.

Examples

Configure Compliance Metrics

You can use the Metrics Dashboard and metric APIs to obtain compliance and issues metric data on your Model Advisor configuration. To set up your Model Advisor configuration, see “Use the Model Advisor Configuration Editor to Customize the Model Advisor”. You can also use an existing check group such as the MISRA checks. After you have set up your Model Advisor configuration, follow these steps to specify the check groups for which you want to obtain compliance and issues metric data:

Open the default configuration:

```
config=slmetric.config.Configuration.open()
```

Specify a metric family ID that you associate with those check groups:

```
famParamID = 'ModelAdvisorStandard';
```

Create a cell array consisting of the Check Group IDs that correspond to the check groups. Obtain a Check Group ID by opening up the Model Advisor Configuration Editor and selecting the folder that contains the group of checks. The folder contains a **Check Group ID** parameter.

```
values = {'maab', 'hisl_do178', '_SYSTEM_By Task_misra_c'};
```

The previous cell array specifies MAB, High-Integrity, and MISRA check groups. The values `maab` and `hisl_do178` correspond to a subset of MAB and High-Integrity System checks. To include all checks, specify the value for the **Check Group ID** parameter from the Model Advisor Configuration Editor.

To set up the configuration, pass the `values` cell array into the `setMetricFamilyParameterValues` method.

```
setMetricFamilyParameterValues(config, famParamID, values);
```

Point the **High Integrity Compliance** and **High Integrity Check Issues** widgets to the MISRA check group. To begin, open the default configuration for the Metrics Dashboard layout.

```
conf = slmetric.dashboard.Configuration.open();
```

Obtain the `slmetric.dashboard.Layout` object from the `slmetric.dashboard.Configuration` object `conf`.

```
layout = getDashboardLayout(conf);
```

Obtain the widget objects that are in the layout object.

```
layoutWidget = getWidgets(layout);
```

Obtain the compliance group from the layout. This group contains two containers. The first container contains the High Integrity and MAB Compliance and Check Issues widgets. Remove the **High Integrity Compliance** widget.

```
complianceGroup = layoutWidget(3);
complianceContainers = getWidgets(complianceGroup);
complianceContainerWidgets = getWidgets(complianceContainers(1));
complianceContainers(1).removeWidget(complianceContainerWidgets(1));
setMetricIDs(complianceContainerWidgets(1),...
({'mathworks.metrics.ModelAdvisorCompliance._SYSTEM_By Task_misra_c'}));
complianceContainerWidgets(1).Labels = {'MISRA'};
```

Add a custom widget for visualizing MISRA check issues metrics to the `complianceContainers` `slmetric.dashboard.Container` object.

```
misraWidget = complianceContainers(1).addWidget('Custom', 1);
misraWidget.Title = ('MISRA');
misraWidget.VisualizationType = 'RadialGauge';
misraWidget.setMetricIDs(...
'mathworks.metrics.ModelAdvisorCheckCompliance._SYSTEM_By Task_misra_c');
misraWidget.setWidths(slmetric.dashboard.Width.Medium);
```

Save the configuration objects. These commands serialize the API information to XML files.

```
save(config, 'FileName', 'MetricConfig.xml');  
save(conf, 'Filename', 'DashboardConfig.xml');
```

Set the active configurations.

```
slmetric.config.setActiveConfiguration(fullfile(pwd, 'MetricConfig.xml'));  
slmetric.dashboard.setActiveConfiguration(fullfile(pwd, 'DashboardConfig.xml'));
```

For your model, open the Metrics Dashboard.

```
metricsdashboard vdp
```

Click the **All Metrics** button to run all metrics.

See Also

```
slmetric.dashboard.setActiveConfiguration |  
slmetric.dashboard.getActiveConfiguration
```

Topics

“Collect Model Metric Data by Using the Metrics Dashboard”
“Customize Metrics Dashboard Layout and Functionality”

Introduced in R2018b

setSeparators

Class: `slmetric.dashboard.Container`

Package: `slmetric.dashboard`

Specify lines on Metrics Dashboard container sides

Syntax

```
setSeparators(S)
```

Description

`setSeparators(S)` specifies whether there are lines on the sides of an `slmetric.dashboard.Container` object.

Input Arguments

S — Structure of four Boolean values

Structure | Array of Structures

The input is a structure or an array of four structures consisting of these fields:

- `S.top`
- `S.bottom`
- `S.left`
- `S.right`

Each field must be set to 1 or 0. A value of 1 indicates that there is a line on that container side. A value of 0 indicates that there is no line on that container side. To indicate that the container sides are always the same even if the screen size changes, you can pass one structure. Passing four structures indicates that the container sides can have different separators as the screen width size changes. Use the `setWidths` method to specify up to four different widths.

See Also

`slmetric.dashboard.setActiveConfiguration` |
`slmetric.dashboard.getActiveConfiguration`

Topics

“Collect Model Metric Data by Using the Metrics Dashboard”

“Customize Metrics Dashboard Layout and Functionality”

Introduced in R2018b

setWidths

Class: `slmetric.dashboard.Container`

Package: `slmetric.dashboard`

Specify multiple widths for Metrics Dashboard container

Syntax

```
setWidths(containerName, widths)
```

Description

`setWidths(containerName, widths)` specifies possible widths that an `slmetric.dashboard.Container` object can have. You can specify up to four different widths. For the input argument `widths`, pass either one value or an array of four values. You can choose from these possible values:

- `slmetric.dashboard.Width.ExtraSmall`
- `slmetric.dashboard.Width.Small`
- `slmetric.dashboard.Width.Medium`
- `slmetric.dashboard.Width.Large`
- `slmetric.dashboard.Width.XLarge`
- `slmetric.dashboard.Width.XXLarge`

These values correspond to the different sizes that a container can have as the screen size changes. If you specify one value, the container always has that value regardless of the screen size. If you specify four different values, the container size can change four times as you maximize and minimize the screen.

Input Arguments

containerName — Container that is to have between one and four widths

`slmetric.dashboard.Container` object

`slmetric.dashboard.Container` object that is to have between one and four widths

widths — Width array

character vector | array of character vectors | string scalar | array of string scalars

Specify one or as many as four of these values:

- `slmetric.dashboard.Width.ExtraSmall`
- `slmetric.dashboard.Width.Small`
- `slmetric.dashboard.Width.Medium`
- `slmetric.dashboard.Width.Large`

- `slmetric.dashboard.Width.XLarge`
- `slmetric.dashboard.Width.XXLarge`

See Also

`slmetric.dashboard.setActiveConfiguration` |
`slmetric.dashboard.getActiveConfiguration`

Topics

“Collect Model Metric Data by Using the Metrics Dashboard”
“Customize Metrics Dashboard Layout and Functionality”

Introduced in R2018b

getSeparators

Class: `slmetric.dashboard.CustomWidget`

Package: `slmetric.dashboard`

Determine whether there are lines on sides of Metrics Dashboard custom widget

Syntax

```
S=getSeparators(customWid)
```

Description

`S=getSeparators(customWid)` returns a structure or an array of structures indicating whether there are lines on the sides of an `slmetric.dashboard.CustomWidget` object.

Input Arguments

customWid — Custom widget for which you want to know whether there are separators

`slmetric.dashboard.CustomWidget` object

Determine whether there are separators on the sides of an `slmetric.dashboard.CustomWidget` object.

Output Arguments

S — Structure of four fields

Structure | Array of Structures

The output is a structure or an array of structures consisting of these fields:

- `S.top`
- `S.bottom`
- `S.left`
- `S.right`

Each field is empty or has a value of 1 or 0. An empty field indicates that you did not set a value. A value of 1 indicates that there is a line on that custom widget side. A value of 0 indicates that there is no line on that custom widget side.

Examples

Add a Custom Widget to a Group

Create a custom metric that counts nonvirtual blocks. Specify a widget to display this metric on the Metrics Dashboard. Add it to the Size Group.

Create a custom metric class.

```
className = 'nonvirtualblockcount';
slmetric.metric.createNewMetricClass(className);
```

Create the nonvirtual block count metric by adding this code to the nonvirtualblockcount.m file.

```
classdef nonvirtualblockcount < slmetric.metric.Metric
    %nonvirtualblockcount calculates number of nonvirtual blocks per level.
    % BusCreator, BusSelector and BusAssign are treated as nonvirtual.
    properties
        VirtualBlockTypes = {'Demux','From','Goto','Ground', ...
            'GotoTagVisiblity','Mux','SignalSpecification', ...
            'Terminator','Inport'};
    end

    methods
        function this = nonvirtualblockcount()
            this.ID = 'nonvirtualblockcount';
            this.Name = 'Nonvirtual Block Count';
            this.Version = 1;
            this.CompileContext = 'None';
            this.Description = 'Algorithm that counts nonvirtual blocks per level.';
            this.AggregatedValueName = 'Nonvirtual Blocks (incl. Descendants)';
            this.ValueName = 'Nonvirtual Blocks';
            this.ComponentScope = [Advisor.component.Types.Model, ...
                Advisor.component.Types.SubSystem];
            this.AggregationMode = slmetric.AggregationMode.Sum;
            this.ResultChecksumCoverage = true;
            this.SupportsResultDetails = true;
        end

        function res = algorithm(this, component)
            % create a result object for this component
            res = slmetric.metric.Result();

            % set the component and metric ID
            res.ComponentID = component.ID;
            res.MetricID = this.ID;

            % Practice
            D1=slmetric.metric.ResultDetail('identifier 1','Name 1');
            D1.Value=0;
            D1.setGroup('Group1','Group1Name');
            D2=slmetric.metric.ResultDetail('identifier 2','Name 2');
            D2.Value=1;
            D2.setGroup('Group1','Group1Name');

            % use find_system to get all blocks inside this component
            blocks = find_system(getPath(component), ...
                'SearchDepth', 1, ...
                'Type', 'Block');

            isNonVirtual = true(size(blocks));

            for n=1:length(blocks)
                blockType = get_param(blocks{n}, 'BlockType');
```

```

if any(strcmp(this.VirtualBlockTypes, blockType))
    isNonVirtual(n) = false;
else
    switch blockType
        case 'SubSystem'
            % Virtual unless the block is conditionally executed
            % or the Treat as atomic unit check box is selected.
            if strcmp(get_param(blocks{n}, 'IsSubSystemVirtual'), ...
                'on')
                isNonVirtual(n) = false;
            end
        case 'Outport'
            % Outport: Virtual when the block resides within
            % SubSystem block (conditional or not), and
            % does not reside in the root (top-level) Simulink window.
            if component.Type ~= Advisor.component.Types.Model
                isNonVirtual(n) = false;
            end
        case 'Selector'
            % Virtual only when Number of input dimensions
            % specifies 1 and Index Option specifies Select
            % all, Index vector (dialog), or Starting index (dialog).
            nod = get_param(blocks{n}, 'NumberOfDimensions');
            ios = get_param(blocks{n}, 'IndexOptionArray');

            ios_settings = {'Assign all', 'Index vector (dialog)', ...
                'Starting index (dialog)'};

            if nod == 1 && any(strcmp(ios_settings, ios))
                isNonVirtual(n) = false;
            end
        case 'Trigger'
            % Virtual when the output port is not present.
            if strcmp(get_param(blocks{n}, 'ShowOutputPort'), 'off')
                isNonVirtual(n) = false;
            end
        case 'Enable'
            % Virtual unless connected directly to an Outport block.
            isNonVirtual(n) = false;

            if strcmp(get_param(blocks{n}, 'ShowOutputPort'), 'on')
                pc = get_param(blocks{n}, 'PortConnectivity');

                if ~isempty(pc.DstBlock) && ...
                    strcmp(get_param(pc.DstBlock, 'BlockType'), ...
                        'Outport')
                    isNonVirtual(n) = true;
                end
            end
        end
    end
end
end

blocks = blocks(isNonVirtual);

res.Value = length(blocks);
end

```

```

    end
end

```

Register the new metric in the metric repository.

```
[id_metric,err_msg] = slmetric.metric.registerMetric(className);
```

To begin, open the default configuration for the Metrics Dashboard layout.

```
conf = slmetric.dashboard.Configuration.open();
```

Obtain the `slmetric.dashboard.Layout` object from the `slmetric.dashboard.Configuration` object.

```
layout = getDashboardLayout(conf);
```

Obtain widget objects that are in the layout object.

```
layoutWidget = getWidgets(layout);
```

Remove the widget that represents the Simulink block count metric.

```
sizeGroup = layoutWidget(2);
sizeGroupWidgets = sizeGroup.getWidgets();
sizeGroup.removeWidget(sizeGroupWidgets(1));
```

Add a widget that displays the nonvirtual block count metric. For custom widgets, the default visualization type is single value. If you want to use a different visualization technique, specify a different value for the `VisualizationType` property.

```
newWidget = sizeGroup.addWidget('Custom', 1);
newWidget.Title = ('Nonvirtual Block Count');
newWidget.setMetricIDs('nonvirtualblockcount');
newWidget.setWidths(slmetric.dashboard.Width.Medium);
newWidget.setHeight(70);
```

Specify whether there are lines separating the custom widget from other widgets in the group. These commands specify that there is a line to the right of the widget.

```
s.top = false;
s.bottom = false;
s.left = false;
s.right = true;
newWidget.setSeparators([s, s, s, s]);
```

Save the configuration object. This command serializes the API information to an XML file.

```
save(conf, 'Filename', 'DashboardConfig.xml');
```

Set the active configuration.

```
slmetric.dashboard.setActiveConfiguration(fullfile(pwd, 'DashboardConfig.xml'));
```

For your model, open the Metrics Dashboard.

```
metricsdashboard vdp
```

Click the **All Metrics** button to run all metrics.

See Also

`slmetric.dashboard.setActiveConfiguration` |
`slmetric.dashboard.getActiveConfiguration`

Topics

“Collect Model Metric Data by Using the Metrics Dashboard”
“Customize Metrics Dashboard Layout and Functionality”

Introduced in R2018b

getWidths

Class: `slmetric.dashboard.CustomWidget`

Package: `slmetric.dashboard`

Obtain widths of Metrics Dashboard custom widget

Syntax

```
Widths=getWidths(customName)
```

Description

`Widths=getWidths(customName)` returns an `slmetric.dashboard.Width` object array consisting of four enumerations. Use the `slmetric.dashboard.CustomWidget.setWidths` method to set the width sizes. You can set between one and four sizes. If you set just one size, the array contains four of the same enumerations. These are the possible enumeration values:

- `slmetric.dashboard.Width.ExtraSmall`
- `slmetric.dashboard.Width.Small`
- `slmetric.dashboard.Width.Medium`
- `slmetric.dashboard.Width.Large`
- `slmetric.dashboard.Width.XLarge`
- `slmetric.dashboard.Width.XXLarge`

These values correspond to the sizes that a custom widget can have as the screen size changes. If the custom widget has one value, the custom widget always has the same size regardless of the screen size. If the custom widget has four different values, the custom widget size can change four times as you maximize and minimize the screen.

Input Arguments

customName — Metrics Dashboard custom widget

`slmetric.dashboard.CustomWidget` object

Custom widget for which you want to obtain widths

Data Types: `char`

Output Arguments

Widths — Custom widget widths

`slmetric.dashboard.Width` enumeration array

`slmetric.dashboard.Width` enumeration array consisting of between one and four of these values:

- `slmetric.dashboard.Width.ExtraSmall`

- slmetric.dashboard.Width.Small
- slmetric.dashboard.Width.Medium
- slmetric.dashboard.Width.Large
- slmetric.dashboard.Width.XLarge
- slmetric.dashboard.Width.XXLarge

Examples

Add a Custom Widget to a Group

Create a custom metric that counts nonvirtual blocks. Specify a widget to display this metric on the Metrics Dashboard. Add it to the Size Group.

Create a custom metric class.

```
className = 'nonvirtualblockcount';
slmetric.metric.createNewMetricClass(className);
```

Create the nonvirtual block count metric by adding this code to the nonvirtualblockcount.m file.

```
classdef nonvirtualblockcount < slmetric.metric.Metric
    %nonvirtualblockcount calculates number of nonvirtual blocks per level.
    % BusCreator, BusSelector and BusAssign are treated as nonvirtual.
    properties
        VirtualBlockTypes = {'Demux', 'From', 'Goto', 'Ground', ...
            'GotoTagVisiblity', 'Mux', 'SignalSpecification', ...
            'Terminator', 'Inport'};
    end

    methods
        function this = nonvirtualblockcount()
            this.ID = 'nonvirtualblockcount';
            this.Name = 'Nonvirtual Block Count';
            this.Version = 1;
            this.CompileContext = 'None';
            this.Description = 'Algorithm that counts nonvirtual blocks per level.';
            this.AggregatedValueName = 'Nonvirtual Blocks (incl. Descendants)'
            this.ValueName = 'Nonvirtual Blocks'
            this.ComponentScope = [Advisor.component.Types.Model, ...
                Advisor.component.Types.SubSystem];
            this.AggregationMode = slmetric.AggregationMode.Sum;
            this.ResultChecksumCoverage = true;
            this.SupportsResultDetails = true;
        end

        function res = algorithm(this, component)
            % create a result object for this component
            res = slmetric.metric.Result();

            % set the component and metric ID
            res.ComponentID = component.ID;
            res.MetricID = this.ID;
        end
    end
end
```

```

% Practice
D1=slmetric.metric.ResultDetail('identifier 1','Name 1');
D1.Value=0;
D1.setGroup('Group1','GroupName');
D2=slmetric.metric.ResultDetail('identifier 2','Name 2');
D2.Value=1;
D2.setGroup('Group1','GroupName');

% use find_system to get all blocks inside this component
blocks = find_system(getPath(component), ...
    'SearchDepth', 1, ...
    'Type', 'Block');

isNonVirtual = true(size(blocks));

for n=1:length(blocks)
    blockType = get_param(blocks{n}, 'BlockType');

    if any(strcmp(this.VirtualBlockTypes, blockType))
        isNonVirtual(n) = false;
    else
        switch blockType
            case 'SubSystem'
                % Virtual unless the block is conditionally executed
                % or the Treat as atomic unit check box is selected.
                if strcmp(get_param(blocks{n}, 'IsSubSystemVirtual'), ...
                    'on')
                    isNonVirtual(n) = false;
                end
            case 'Output'
                % Output: Virtual when the block resides within
                % SubSystem block (conditional or not), and
                % does not reside in the root (top-level) Simulink window.
                if component.Type ~= Advisor.component.Types.Model
                    isNonVirtual(n) = false;
                end
            case 'Selector'
                % Virtual only when Number of input dimensions
                % specifies 1 and Index Option specifies Select
                % all, Index vector (dialog), or Starting index (dialog).
                nod = get_param(blocks{n}, 'NumberOfDimensions');
                ios = get_param(blocks{n}, 'IndexOptionArray');

                ios_settings = {'Assign all', 'Index vector (dialog)', ...
                    'Starting index (dialog)'};

                if nod == 1 && any(strcmp(ios_settings, ios))
                    isNonVirtual(n) = false;
                end
            case 'Trigger'
                % Virtual when the output port is not present.
                if strcmp(get_param(blocks{n}, 'ShowOutputPort'), 'off')
                    isNonVirtual(n) = false;
                end
            case 'Enable'
                % Virtual unless connected directly to an Output block.

```

```
isNonVirtual(n) = false;

if strcmp(get_param(blocks{n}, 'ShowOutputPort'), 'on')
    pc = get_param(blocks{n}, 'PortConnectivity');

    if ~isempty(pc.DstBlock) && ...
        strcmp(get_param(pc.DstBlock, 'BlockType'), ...
            'Output')
        isNonVirtual(n) = true;
    end
end
end
end

blocks = blocks(isNonVirtual);

res.Value = length(blocks);
end
end
end
```

Register the new metric in the metric repository.

```
[id_metric,err_msg] = slmetric.metric.registerMetric(className);
```

To begin, open the default configuration for the Metrics Dashboard layout.

```
conf = slmetric.dashboard.Configuration.open();
```

Obtain the `slmetric.dashboard.Layout` object from the `slmetric.dashboard.Configuration` object.

```
layout = getDashboardLayout(conf);
```

Obtain widget objects that are in the layout object.

```
layoutWidget = getWidgets(layout);
```

Remove the widget that represents the Simulink block count metric.

```
sizeGroup = layoutWidget(2);
sizeGroupWidgets = sizeGroup.getWidgets();
sizeGroup.removeWidget(sizeGroupWidgets(1));
```

Add a widget that displays the nonvirtual block count metric. For custom widgets, the default visualization type is single value. If you want to use a different visualization technique, specify a different value for the `VisualizationType` property.

```
newWidget = sizeGroup.addWidget('Custom', 1);
newWidget.Title = ('Nonvirtual Block Count');
newWidget.setMetricIDs('nonvirtualblockcount');
newWidget.setWidths(slmetric.dashboard.Width.Medium);
newWidget.setHeight(70);
```

Specify whether there are lines separating the custom widget from other widgets in the group. These commands specify that there is a line to the right of the widget.

```
s.top = false;  
s.bottom = false;  
s.left= false;  
s.right= true;  
newWidget.setSeparators([s, s, s, s]);
```

Save the configuration object. This command serializes the API information to an XML file.

```
save(conf, 'Filename', 'DashboardConfig.xml');
```

Set the active configuration.

```
slmetric.dashboard.setActiveConfiguration(fullfile(pwd, 'DashboardConfig.xml'));
```

For your model, open the Metrics Dashboard.

```
metricsdashboard vdp
```

Click the **All Metrics** button to run all metrics.

See Also

```
slmetric.dashboard.setActiveConfiguration |  
slmetric.dashboard.getActiveConfiguration
```

Topics

“Collect Model Metric Data by Using the Metrics Dashboard”

“Customize Metrics Dashboard Layout and Functionality”

Introduced in R2018b

setSeparators

Class: `slmetric.dashboard.CustomWidget`

Package: `slmetric.dashboard`

Specify lines on Metrics Dashboard custom widget sides

Syntax

```
setSeparators(S)
```

Description

`setSeparators(S)` specifies whether there are lines on the sides of an `slmetric.dashboard.CustomWidget` object.

Input Arguments

S — Structure of four Boolean values

Structure | Array of Structures

The input is a structure or an array of structures consisting of these fields:

- `S.top`
- `S.bottom`
- `S.left`
- `S.right`

Each field must be set to 1 or 0. A value of 1 indicates that there is a line on that custom widget side. A value of 0 indicates that there is no line on that custom widget side. To indicate that the custom widget sides are always the same even if the screen size changes, you can pass one structure. Passing four structures indicates that the custom widget sides can have different separators as the screen width size changes. Use the `setWidths` method to specify up to four different widths.

Data Types: `char`

Examples

Add a Custom Widget to a Group

Create a custom metric that counts nonvirtual blocks. Specify a widget to display this metric on the Metrics Dashboard. Add it to the Size Group.

Create a custom metric class.

```
className = 'nonvirtualblockcount';  
slmetric.metric.createNewMetricClass(className);
```

Create the nonvirtual block count metric by adding this code to the `nonvirtualblockcount.m` file.

```

classdef nonvirtualblockcount < slmetric.metric.Metric
    %nonvirtualblockcount calculates number of nonvirtual blocks per level.
    % BusCreator, BusSelector and BusAssign are treated as nonvirtual.
    properties
        VirtualBlockTypes = {'Demux','From','Goto','Ground', ...
            'GotoTagVisiblity','Mux','SignalSpecifcation', ...
            'Terminator','Inport'};
    end

    methods
        function this = nonvirtualblockcount()
            this.ID = 'nonvirtualblockcount';
            this.Name = 'Nonvirtual Block Count';
            this.Version = 1;
            this.CompileContext = 'None';
            this.Description = 'Algorithm that counts nonvirtual blocks per level.';
            this.AggregatedValueName = 'Nonvirtual Blocks (incl. Descendants)'
            this.ValueName = 'Nonvirtual Blocks'
            this.ComponentScope = [Advisor.component.Types.Model, ...
                Advisor.component.Types.SubSystem];
            this.AggregationMode = slmetric.AggregationMode.Sum;
            this.ResultChecksumCoverage = true;
            this.SupportsResultDetails = true;
        end

        function res = algorithm(this, component)
            % create a result object for this component
            res = slmetric.metric.Result();

            % set the component and metric ID
            res.ComponentID = component.ID;
            res.MetricID = this.ID;

            % Practice
            D1=slmetric.metric.ResultDetail('identifier 1','Name 1');
            D1.Value=0;
            D1.setGroup('Group1','Group1Name');
            D2=slmetric.metric.ResultDetail('identifier 2','Name 2');
            D2.Value=1;
            D2.setGroup('Group1','Group1Name');

            % use find_system to get all blocks inside this component
            blocks = find_system(getPath(component), ...
                'SearchDepth', 1, ...
                'Type', 'Block');

            isNonVirtual = true(size(blocks));

            for n=1:length(blocks)
                blockType = get_param(blocks{n}, 'BlockType');

                if any(strcmp(this.VirtualBlockTypes, blockType))
                    isNonVirtual(n) = false;
                else
                    switch blockType

```

```

case 'SubSystem'
    % Virtual unless the block is conditionally executed
    % or the Treat as atomic unit check box is selected.
    if strcmp(get_param(blocks{n}, 'IsSubSystemVirtual'), ...
        'on')
        isNonVirtual(n) = false;
    end
case 'Outport'
    % Outport: Virtual when the block resides within
    % SubSystem block (conditional or not), and
    % does not reside in the root (top-level) Simulink window.
    if component.Type ~= Advisor.component.Types.Model
        isNonVirtual(n) = false;
    end
case 'Selector'
    % Virtual only when Number of input dimensions
    % specifies 1 and Index Option specifies Select
    % all, Index vector (dialog), or Starting index (dialog).
    nod = get_param(blocks{n}, 'NumberOfDimensions');
    ios = get_param(blocks{n}, 'IndexOptionArray');

    ios_settings = {'Assign all', 'Index vector (dialog)', ...
        'Starting index (dialog)'};

    if nod == 1 && any(strcmp(ios_settings, ios))
        isNonVirtual(n) = false;
    end
case 'Trigger'
    % Virtual when the output port is not present.
    if strcmp(get_param(blocks{n}, 'ShowOutputPort'), 'off')
        isNonVirtual(n) = false;
    end
case 'Enable'
    % Virtual unless connected directly to an Outport block.
    isNonVirtual(n) = false;

    if strcmp(get_param(blocks{n}, 'ShowOutputPort'), 'on')
        pc = get_param(blocks{n}, 'PortConnectivity');

        if ~isempty(pc.DstBlock) && ...
            strcmp(get_param(pc.DstBlock, 'BlockType'), ...
                'Outport')
            isNonVirtual(n) = true;
        end
    end
end
end
end
end

blocks = blocks(isNonVirtual);

res.Value = length(blocks);
end
end
end

```

Register the new metric in the metric repository.


```
[id_metric,err_msg] = slmetric.metric.registerMetric(className);
```

To begin, open the default configuration for the Metrics Dashboard layout.

```
conf = slmetric.dashboard.Configuration.open();
```

Obtain the `slmetric.dashboard.Layout` object from the `slmetric.dashboard.Configuration` object.

```
layout = getDashboardLayout(conf);
```

Obtain widget objects that are in the layout object.

```
layoutWidget = getWidgets(layout);
```

Remove the widget that represents the Simulink block count metric.

```
sizeGroup = layoutWidget(2);
sizeGroupWidgets = sizeGroup.getWidgets();
sizeGroup.removeWidget(sizeGroupWidgets(1));
```

Add a widget that displays the nonvirtual block count metric. For custom widgets, the default visualization type is single value. If you want to use a different visualization technique, specify a different value for the `VisualizationType` property.

```
newWidget = sizeGroup.addWidget('Custom', 1);
newWidget.Title = ('Nonvirtual Block Count');
newWidget.setMetricIDs('nonvirtualblockcount');
newWidget.setWidths(slmetric.dashboard.Width.Medium);
newWidget.setHeight(70);
```

Specify whether there are lines separating the custom widget from other widgets in the group. These commands specify that there is a line to the right of the widget.

```
s.top = false;
s.bottom = false;
s.left = false;
s.right = true;
newWidget.setSeparators([s, s, s, s]);
```

Save the configuration object. This command serializes the API information to an XML file.

```
save(conf, 'Filename', 'DashboardConfig.xml');
```

Set the active configuration.

```
slmetric.dashboard.setActiveConfiguration(fullfile(pwd, 'DashboardConfig.xml'));
```

For your model, open the Metrics Dashboard.

```
metricsdashboard vdp
```

Click the **All Metrics** button to run all metrics.

See Also

`slmetric.dashboard.setActiveConfiguration` |
`slmetric.dashboard.getActiveConfiguration`

Topics

“Collect Model Metric Data by Using the Metrics Dashboard”

“Customize Metrics Dashboard Layout and Functionality”

Introduced in R2018b

setWidths

Class: `slmetric.dashboard.CustomWidget`

Package: `slmetric.dashboard`

Specify multiples widths for Metrics Dashboard custom widget

Syntax

```
setWidths(customName, widths)
```

Description

`setWidths(customName, widths)` specifies possible widths that an `slmetric.dashboard.CustomWidget` object can have. You can specify up to four different widths. For the input argument `widths`, pass either one value or an array of four values. You can choose from these possible values:

- `slmetric.dashboard.Width.ExtraSmall`
- `slmetric.dashboard.Width.Small`
- `slmetric.dashboard.Width.Medium`
- `slmetric.dashboard.Width.Large`
- `slmetric.dashboard.Width.XLarge`
- `slmetric.dashboard.Width.XXLarge`

These values correspond to the different sizes that a custom widget can have as the screen size changes. If you specify one value, the widget always has that value regardless of the screen size. If you specify four different values, the widget size can change four times as you maximize and minimize the screen.

Input Arguments

customName — Custom widget that is to have between one and four widths

`slmetric.dashboard.CustomWidget` object

`slmetric.dashboard.CustomWidget` object that is to have between one and four widths

widths — Width array

character vector | array of character vectors | string scalar | array of string scalars

Specify one or as many as four of these values:

- `slmetric.dashboard.Width.ExtraSmall`
- `slmetric.dashboard.Width.Small`
- `slmetric.dashboard.Width.Medium`
- `slmetric.dashboard.Width.Large`

- `slmetric.dashboard.Width.XLarge`
- `slmetric.dashboard.Width.XXLarge`

Examples

Add a Custom Widget to a Group

Create a custom metric that counts nonvirtual blocks. Specify a widget to display this metric on the Metrics Dashboard. Add it to the Size Group.

Create a custom metric class.

```
className = 'nonvirtualblockcount';
slmetric.metric.createNewMetricClass(className);
```

Create the nonvirtual block count metric by adding this code to the `nonvirtualblockcount.m` file.

```
classdef nonvirtualblockcount < slmetric.metric.Metric
    %nonvirtualblockcount calculates number of nonvirtual blocks per level.
    % BusCreator, BusSelector and BusAssign are treated as nonvirtual.
    properties
        VirtualBlockTypes = {'Demux','From','Goto','Ground', ...
            'GotoTagVisibility','Mux','SignalSpecification', ...
            'Terminator','Inport'};
    end

    methods
        function this = nonvirtualblockcount()
            this.ID = 'nonvirtualblockcount';
            this.Name = 'Nonvirtual Block Count';
            this.Version = 1;
            this.CompileContext = 'None';
            this.Description = 'Algorithm that counts nonvirtual blocks per level.';
            this.AggregatedValueName = 'Nonvirtual Blocks (incl. Descendants)'
            this.ValueName = 'Nonvirtual Blocks'
            this.ComponentScope = [Advisor.component.Types.Model, ...
                Advisor.component.Types.SubSystem];
            this.AggregationMode = slmetric.AggregationMode.Sum;
            this.ResultChecksumCoverage = true;
            this.SupportsResultDetails = true;
        end

        function res = algorithm(this, component)
            % create a result object for this component
            res = slmetric.metric.Result();

            % set the component and metric ID
            res.ComponentID = component.ID;
            res.MetricID = this.ID;

            % Practice
            D1=slmetric.metric.ResultDetail('identifier 1','Name 1');
            D1.Value=0;
            D1.setGroup('Group1','Group1Name');
```

```

D2=slmetric.metric.ResultDetail('identifier 2','Name 2');
D2.Value=1;
D2.setGroup('Group1','Group1Name');

% use find_system to get all blocks inside this component
blocks = find_system(getPath(component), ...
    'SearchDepth', 1, ...
    'Type', 'Block');

isNonVirtual = true(size(blocks));

for n=1:length(blocks)
    blockType = get_param(blocks{n}, 'BlockType');

    if any(strcmp(this.VirtualBlockTypes, blockType))
        isNonVirtual(n) = false;
    else
        switch blockType
            case 'SubSystem'
                % Virtual unless the block is conditionally executed
                % or the Treat as atomic unit check box is selected.
                if strcmp(get_param(blocks{n}, 'IsSubSystemVirtual'), ...
                    'on')
                    isNonVirtual(n) = false;
                end
            case 'Outputport'
                % Outputport: Virtual when the block resides within
                % SubSystem block (conditional or not), and
                % does not reside in the root (top-level) Simulink window.
                if component.Type ~= Advisor.component.Types.Model
                    isNonVirtual(n) = false;
                end
            case 'Selector'
                % Virtual only when Number of input dimensions
                % specifies 1 and Index Option specifies Select
                % all, Index vector (dialog), or Starting index (dialog).
                nod = get_param(blocks{n}, 'NumberOfDimensions');
                ios = get_param(blocks{n}, 'IndexOptionArray');

                ios_settings = {'Assign all', 'Index vector (dialog)', ...
                    'Starting index (dialog)'};

                if nod == 1 && any(strcmp(ios_settings, ios))
                    isNonVirtual(n) = false;
                end
            case 'Trigger'
                % Virtual when the output port is not present.
                if strcmp(get_param(blocks{n}, 'ShowOutputPort'), 'off')
                    isNonVirtual(n) = false;
                end
            case 'Enable'
                % Virtual unless connected directly to an Outputport block.
                isNonVirtual(n) = false;

                if strcmp(get_param(blocks{n}, 'ShowOutputPort'), 'on')
                    pc = get_param(blocks{n}, 'PortConnectivity');

```

```
                if ~isempty(pc.DstBlock) && ...
                    strcmp(get_param(pc.DstBlock, 'BlockType'), ...
                        'Output')
                    isNonVirtual(n) = true;
                end
            end
        end
    end
    blocks = blocks(isNonVirtual);
    res.Value = length(blocks);
end
end
end
```

Register the new metric in the metric repository.

```
[id_metric,err_msg] = slmetric.metric.registerMetric(className);
```

To begin, open the default configuration for the Metrics Dashboard layout.

```
conf = slmetric.dashboard.Configuration.open();
```

Obtain the `slmetric.dashboard.Layout` object from the `slmetric.dashboard.Configuration` object.

```
layout = getDashboardLayout(conf);
```

Obtain widget objects that are in the layout object.

```
layoutWidget = getWidgets(layout);
```

Remove the widget that represents the Simulink block count metric.

```
sizeGroup = layoutWidget(2);
sizeGroupWidgets = sizeGroup.getWidgets();
sizeGroup.removeWidget(sizeGroupWidgets(1));
```

Add a widget that displays the nonvirtual block count metric. For custom widgets, the default visualization type is single value. If you want to use a different visualization technique, specify a different value for the `VisualizationType` property.

```
newWidget = sizeGroup.addWidget('Custom', 1);
newWidget.Title = ('Nonvirtual Block Count');
newWidget.setMetricIDs('nonvirtualblockcount');
newWidget.setWidths(slmetric.dashboard.Width.Medium);
newWidget.setHeight(70);
```

Specify whether there are lines separating the custom widget from other widgets in the group. These commands specify that there is a line to the right of the widget.

```
s.top = false;
s.bottom = false;
s.left = false;
s.right = true;
newWidget.setSeparators([s, s, s, s]);
```

Save the configuration object. This command serializes the API information to an XML file.

```
save(conf, 'Filename', 'DashboardConfig.xml');
```

Set the active configuration.

```
slmetric.dashboard.setActiveConfiguration(fullfile(pwd, 'DashboardConfig.xml'));
```

For your model, open the Metrics Dashboard.

```
metricsdashboard vdp
```

Click the **All Metrics** button to run all metrics.

See Also

`slmetric.dashboard.setActiveConfiguration` |

`slmetric.dashboard.getActiveConfiguration`

Topics

“Collect Model Metric Data by Using the Metrics Dashboard”

“Customize Metrics Dashboard Layout and Functionality”

Introduced in R2018b

addWidget

Class: `slmetric.dashboard.Group`

Package: `slmetric.dashboard`

Add widget to `slmetric.dashboard.Group` object

Syntax

```
newWidget = addWidget(group,widgetType,num)
```

Description

`newWidget = addWidget(group,widgetType,num)` adds a widget to an `slmetric.dashboard.Container` object.

Input Arguments

group — Add widget to Metrics Dashboard

`slmetric.dashboard.Group` object

`slmetric.dashboard.Group` object for which you want to add widgets to customize Metrics Dashboard layout.

widgetType — Metrics Dashboard widget

`Container` | `SystemInfo` | `GlocalInterface` | `LibraryReuse` | `Custom`

Specify the Type of an `slmetric.dashboard.Container`, `slmetric.dashboard.Widget`, `slmetric.dashboard.Group`, or `slmetric.dashboard.CustomWidget` object. This property is read/write.

Data Types: `char`

num — Widget placement

`int`

Placement of widget in group on Metrics Dashboard. Order of widgets in the group proceeds from left to right, and then down in the group.

Output Arguments

newWidget — New Metrics Dashboard widget

`slmetric.dashboard.Widget` object

New widget that you are adding to an `slmetric.dashboard.Group` object on the Metrics Dashboard. You can add these widgets to a group:

- `slmetric.dashboard.Container`
- `slmetric.dashboard.CustomWidget`
- `slmetric.dashboard.Widget`

Examples

Add a Custom Widget to a Group

Create a custom metric that counts nonvirtual blocks. Specify a widget to display this metric on the Metrics Dashboard. Add it to the Size Group.

Create a custom metric class.

```
className = 'nonvirtualblockcount';
slmetric.metric.createNewMetricClass(className);
```

Create the nonvirtual block count metric by adding this code to the nonvirtualblockcount.m file.

```
classdef nonvirtualblockcount < slmetric.metric.Metric
    %nonvirtualblockcount calculates number of nonvirtual blocks per level.
    % BusCreator, BusSelector and BusAssign are treated as nonvirtual.
    properties
        VirtualBlockTypes = {'Demux','From','Goto','Ground', ...
            'GotoTagVisiblity','Mux','SignalSpecification', ...
            'Terminator','Inport'};
    end

    methods
        function this = nonvirtualblockcount()
            this.ID = 'nonvirtualblockcount';
            this.Name = 'Nonvirtual Block Count';
            this.Version = 1;
            this.CompileContext = 'None';
            this.Description = 'Algorithm that counts nonvirtual blocks per level.';
            this.AggregatedValueName = 'Nonvirtual Blocks (incl. Descendants)';
            this.ValueName = 'Nonvirtual Blocks';
            this.ComponentScope = [Advisor.component.Types.Model, ...
                Advisor.component.Types.SubSystem];
            this.AggregationMode = slmetric.AggregationMode.Sum;
            this.ResultChecksumCoverage = true;
            this.SupportsResultDetails = true;
        end

        function res = algorithm(this, component)
            % create a result object for this component
            res = slmetric.metric.Result();

            % set the component and metric ID
            res.ComponentID = component.ID;
            res.MetricID = this.ID;

            % Practice
            D1=slmetric.metric.ResultDetail('identifier 1','Name 1');
            D1.Value=0;
            D1.setGroup('Group1','Group1Name');
            D2=slmetric.metric.ResultDetail('identifier 2','Name 2');
            D2.Value=1;
            D2.setGroup('Group1','Group1Name');
```

```

% use find_system to get all blocks inside this component
blocks = find_system(getPath(component), ...
    'SearchDepth', 1, ...
    'Type', 'Block');

isNonVirtual = true(size(blocks));

for n=1:length(blocks)
    blockType = get_param(blocks{n}, 'BlockType');

    if any(strcmp(this.VirtualBlockTypes, blockType))
        isNonVirtual(n) = false;
    else
        switch blockType
            case 'SubSystem'
                % Virtual unless the block is conditionally executed
                % or the Treat as atomic unit check box is selected.
                if strcmp(get_param(blocks{n}, 'IsSubSystemVirtual'), ...
                    'on')
                    isNonVirtual(n) = false;
                end
            case 'Outport'
                % Outport: Virtual when the block resides within
                % SubSystem block (conditional or not), and
                % does not reside in the root (top-level) Simulink window.
                if component.Type ~= Advisor.component.Types.Model
                    isNonVirtual(n) = false;
                end
            case 'Selector'
                % Virtual only when Number of input dimensions
                % specifies 1 and Index Option specifies Select
                % all, Index vector (dialog), or Starting index (dialog).
                nod = get_param(blocks{n}, 'NumberOfDimensions');
                ios = get_param(blocks{n}, 'IndexOptionArray');

                ios_settings = {'Assign all', 'Index vector (dialog)', ...
                    'Starting index (dialog)'};

                if nod == 1 && any(strcmp(ios_settings, ios))
                    isNonVirtual(n) = false;
                end
            case 'Trigger'
                % Virtual when the output port is not present.
                if strcmp(get_param(blocks{n}, 'ShowOutputPort'), 'off')
                    isNonVirtual(n) = false;
                end
            case 'Enable'
                % Virtual unless connected directly to an Outport block.
                isNonVirtual(n) = false;

                if strcmp(get_param(blocks{n}, 'ShowOutputPort'), 'on')
                    pc = get_param(blocks{n}, 'PortConnectivity');

                    if ~isempty(pc.DstBlock) && ...
                        strcmp(get_param(pc.DstBlock, 'BlockType'), ...
                            'Outport')
                        isNonVirtual(n) = true;
                    end
                end
            end
        end
    end
end

```

```

                                end
                            end
                        end
                    end
                end
            end
        end
    end
    blocks = blocks(isNonVirtual);
    res.Value = length(blocks);
end
end
end

```

Register the new metric in the metric repository.

```
[id_metric,err_msg] = slmetric.metric.registerMetric(className);
```

To begin, open the default configuration for the Metrics Dashboard layout.

```
conf = slmetric.dashboard.Configuration.open();
```

Obtain the `slmetric.dashboard.Layout` object from the `slmetric.dashboard.Configuration` object.

```
layout = getDashboardLayout(conf);
```

Obtain widget objects that are in the layout object.

```
layoutWidget = getWidgets(layout);
```

Remove the widget that represents the Simulink block count metric.

```
sizeGroup = layoutWidget(2);
sizeGroupWidgets = sizeGroup.getWidgets();
sizeGroup.removeWidget(sizeGroupWidgets(1));
```

Add a widget that displays the nonvirtual block count metric. For custom widgets, the default visualization type is single value. If you want to use a different visualization technique, specify a different value for the `VisualizationType` property.

```
newWidget = sizeGroup.addWidget('Custom', 1);
newWidget.Title = ('Nonvirtual Block Count');
newWidget.setMetricIDs('nonvirtualblockcount');
newWidget.setWidths(slmetric.dashboard.Width.Medium);
newWidget.setHeight(70);
```

Specify whether there are lines separating the custom widget from other widgets in the group. These commands specify that there is a line to the right of the widget.

```
s.top = false;
s.bottom = false;
s.left = false;
s.right = true;
newWidget.setSeparators([s, s, s, s]);
```

Save the configuration object. This command serializes the API information to an XML file.

```
save(conf, 'Filename', 'DashboardConfig.xml');
```

Set the active configuration.

```
slmetric.dashboard.setActiveConfiguration(fullfile(pwd, 'DashboardConfig.xml'));
```

For your model, open the Metrics Dashboard.

```
metricsdashboard vdp
```

Click the **All Metrics** button to run all metrics.

See Also

[slmetric.dashboard.setActiveConfiguration](#) |
[slmetric.dashboard.getActiveConfiguration](#)

Topics

[“Collect Model Metric Data by Using the Metrics Dashboard”](#)
[“Customize Metrics Dashboard Layout and Functionality”](#)

Introduced in R2018b

getSeparators

Class: `slmetric.dashboard.Group`

Package: `slmetric.dashboard`

Determine whether there are lines on sides of Metrics Dashboard group

Syntax

```
S = getSeparators(group)
```

Description

`S = getSeparators(group)` returns a structure or an array of structures indicating whether there are lines on the sides of an `slmetric.dashboard.Group` object.

Input Arguments

group — Group for which you want to know whether there are separators

`slmetric.dashboard.Group` object

Determine whether there are separators on the sides of an `slmetric.dashboard.Group` object.

Output Arguments

S — Structure of four fields

Structure | Array of Structures

The output is a structure or an array of structures consisting of these fields:

- `S.top`
- `S.bottom`
- `S.left`
- `S.right`

Each field is empty or has a value of 1 or 0. An empty field indicates that you did not set a value. A value of 1 indicates that there is a line on that group side. A value of 0 indicates that there is no line on that group side.

Examples

Add a Custom Widget to a Group

Create a custom metric that counts nonvirtual blocks. Specify a widget to display this metric on the Metrics Dashboard. Add it to the Size Group.

Create a custom metric class.

```
className = 'nonvirtualblockcount';
slmetric.metric.createNewMetricClass(className);
```

Create the nonvirtual block count metric by adding this code to the nonvirtualblockcount.m file.

```
classdef nonvirtualblockcount < slmetric.metric.Metric
    %nonvirtualblockcount calculates number of nonvirtual blocks per level.
    % BusCreator, BusSelector and BusAssign are treated as nonvirtual.
    properties
        VirtualBlockTypes = {'Demux','From','Goto','Ground', ...
            'GotoTagVisiblity','Mux','SignalSpecification', ...
            'Terminator','Inport'};
    end

    methods
        function this = nonvirtualblockcount()
            this.ID = 'nonvirtualblockcount';
            this.Name = 'Nonvirtual Block Count';
            this.Version = 1;
            this.CompileContext = 'None';
            this.Description = 'Algorithm that counts nonvirtual blocks per level.';
            this.AggregatedValueName = 'Nonvirtual Blocks (incl. Descendants)';
            this.ValueName = 'Nonvirtual Blocks';
            this.ComponentScope = [Advisor.component.Types.Model, ...
                Advisor.component.Types.SubSystem];
            this.AggregationMode = slmetric.AggregationMode.Sum;
            this.ResultChecksumCoverage = true;
            this.SupportsResultDetails = true;
        end

        function res = algorithm(this, component)
            % create a result object for this component
            res = slmetric.metric.Result();

            % set the component and metric ID
            res.ComponentID = component.ID;
            res.MetricID = this.ID;

            % Practice
            D1=slmetric.metric.ResultDetail('identifier 1','Name 1');
            D1.Value=0;
            D1.setGroup('Group1','Group1Name');
            D2=slmetric.metric.ResultDetail('identifier 2','Name 2');
            D2.Value=1;
            D2.setGroup('Group1','Group1Name');

            % use find_system to get all blocks inside this component
            blocks = find_system(getPath(component), ...
                'SearchDepth', 1, ...
                'Type', 'Block');

            isNonVirtual = true(size(blocks));

            for n=1:length(blocks)
                blockType = get_param(blocks{n}, 'BlockType');
```

```

if any(strcmp(this.VirtualBlockTypes, blockType))
    isNonVirtual(n) = false;
else
    switch blockType
        case 'SubSystem'
            % Virtual unless the block is conditionally executed
            % or the Treat as atomic unit check box is selected.
            if strcmp(get_param(blocks{n}, 'IsSubSystemVirtual'), ...
                'on')
                isNonVirtual(n) = false;
            end
        case 'Outport'
            % Outport: Virtual when the block resides within
            % SubSystem block (conditional or not), and
            % does not reside in the root (top-level) Simulink window.
            if component.Type ~= Advisor.component.Types.Model
                isNonVirtual(n) = false;
            end
        case 'Selector'
            % Virtual only when Number of input dimensions
            % specifies 1 and Index Option specifies Select
            % all, Index vector (dialog), or Starting index (dialog).
            nod = get_param(blocks{n}, 'NumberOfDimensions');
            ios = get_param(blocks{n}, 'IndexOptionArray');

            ios_settings = {'Assign all', 'Index vector (dialog)', ...
                'Starting index (dialog)'};

            if nod == 1 && any(strcmp(ios_settings, ios))
                isNonVirtual(n) = false;
            end
        case 'Trigger'
            % Virtual when the output port is not present.
            if strcmp(get_param(blocks{n}, 'ShowOutputPort'), 'off')
                isNonVirtual(n) = false;
            end
        case 'Enable'
            % Virtual unless connected directly to an Outport block.
            isNonVirtual(n) = false;

            if strcmp(get_param(blocks{n}, 'ShowOutputPort'), 'on')
                pc = get_param(blocks{n}, 'PortConnectivity');

                if ~isempty(pc.DstBlock) && ...
                    strcmp(get_param(pc.DstBlock, 'BlockType'), ...
                        'Outport')
                    isNonVirtual(n) = true;
                end
            end
        end
    end
end
end

blocks = blocks(isNonVirtual);

res.Value = length(blocks);
end

```

```
end  
end
```

Register the new metric in the metric repository.

```
[id_metric,err_msg] = slmetric.metric.registerMetric(className);
```

To begin, open the default configuration for the Metrics Dashboard layout.

```
conf = slmetric.dashboard.Configuration.open();
```

Obtain the `slmetric.dashboard.Layout` object from the `slmetric.dashboard.Configuration` object.

```
layout = getDashboardLayout(conf);
```

Obtain widget objects that are in the layout object.

```
layoutWidget = getWidgets(layout);
```

Remove the widget that represents the Simulink block count metric.

```
sizeGroup = layoutWidget(2);  
sizeGroupWidgets = sizeGroup.getWidgets();  
sizeGroup.removeWidget(sizeGroupWidgets(1));
```

Add a widget that displays the nonvirtual block count metric. For custom widgets, the default visualization type is single value. If you want to use a different visualization technique, specify a different value for the `VisualizationType` property.

```
newWidget = sizeGroup.addWidget('Custom', 1);  
newWidget.Title = ('Nonvirtual Block Count');  
newWidget.setMetricIDs('nonvirtualblockcount');  
newWidget.setWidths(slmetric.dashboard.Width.Medium);  
newWidget.setHeight(70);
```

Specify whether there are lines separating the custom widget from other widgets in the group. These commands specify that there is a line to the right of the widget.

```
s.top = false;  
s.bottom = false;  
s.left = false;  
s.right = true;  
newWidget.setSeparators([s, s, s, s]);
```

Save the configuration object. This command serializes the API information to an XML file.

```
save(conf, 'Filename', 'DashboardConfig.xml');
```

Set the active configuration.

```
slmetric.dashboard.setActiveConfiguration(fullfile(pwd, 'DashboardConfig.xml'));
```

For your model, open the Metrics Dashboard.

```
metricsdashboard vdp
```


Click the **All Metrics** button to run all metrics.

See Also

`slmetric.dashboard.setActiveConfiguration` |
`slmetric.dashboard.getActiveConfiguration`

Topics

“Collect Model Metric Data by Using the Metrics Dashboard”

“Customize Metrics Dashboard Layout and Functionality”

Introduced in R2018b

getWidgets

Class: `slmetric.dashboard.Group`

Package: `slmetric.dashboard`

Obtain a list of widgets in an `slmetric.dashboard.Group` object

Syntax

```
groupList = getWidgets(group)
```

Description

`groupList = getWidgets(group)` creates an array of objects that are in the `slmetric.dashboard.Group` object. These objects are widgets of the following types:

- `slmetric.dashboard.Container`
- `slmetric.dashboard.CustomWidget`
- `slmetric.dashboard.Widget`

Use the `getWidgets` method to identify widgets that you want to modify or remove from the `slmetric.dashboard.Group` object.

Input Arguments

group — **Object that holds metric dashboard layout customizations**

`slmetric.dashboard.Group` object

`slmetric.dashboard.Group` object for which you want to obtain a list of widgets.

Output Arguments

group — **Array of objects in an `slmetric.dashboard.Group` object**

array of objects

Array of widget objects in an `slmetric.dashboard.Group` object.

Examples

Add a Custom Widget to a Group

Create a custom metric that counts nonvirtual blocks. Specify a widget to display this metric on the Metrics Dashboard. Add it to the Size Group.

Create a custom metric class.

```
className = 'nonvirtualblockcount';  
slmetric.metric.createNewMetricClass(className);
```

Create the nonvirtual block count metric by adding this code to the nonvirtualblockcount.m file.

```

classdef nonvirtualblockcount < slmetric.metric.Metric
    %nonvirtualblockcount calculates number of nonvirtual blocks per level.
    % BusCreator, BusSelector and BusAssign are treated as nonvirtual.
    properties
        VirtualBlockTypes = {'Demux','From','Goto','Ground', ...
            'GotoTagVisiblity','Mux','SignalSpecification', ...
            'Terminator','Inport'};
    end

    methods
        function this = nonvirtualblockcount()
            this.ID = 'nonvirtualblockcount';
            this.Name = 'Nonvirtual Block Count';
            this.Version = 1;
            this.CompileContext = 'None';
            this.Description = 'Algorithm that counts nonvirtual blocks per level.';
            this.AggregatedValueName = 'Nonvirtual Blocks (incl. Descendants)'
            this.ValueName = 'Nonvirtual Blocks'
            this.ComponentScope = [Advisor.component.Types.Model, ...
                Advisor.component.Types.SubSystem];
            this.AggregationMode = slmetric.AggregationMode.Sum;
            this.ResultChecksumCoverage = true;
            this.SupportsResultDetails = true;
        end

        function res = algorithm(this, component)
            % create a result object for this component
            res = slmetric.metric.Result();

            % set the component and metric ID
            res.ComponentID = component.ID;
            res.MetricID = this.ID;

            % Practice
            D1=slmetric.metric.ResultDetail('identifier 1','Name 1');
            D1.Value=0;
            D1.setGroup('Group1','Group1Name');
            D2=slmetric.metric.ResultDetail('identifier 2','Name 2');
            D2.Value=1;
            D2.setGroup('Group1','Group1Name');

            % use find_system to get all blocks inside this component
            blocks = find_system(getPath(component), ...
                'SearchDepth', 1, ...
                'Type', 'Block');

            isNonVirtual = true(size(blocks));

            for n=1:length(blocks)
                blockType = get_param(blocks{n}, 'BlockType');

                if any(strcmp(this.VirtualBlockTypes, blockType))
                    isNonVirtual(n) = false;
                end
            end
        end
    end
end

```

```

else
    switch blockType
    case 'SubSystem'
        % Virtual unless the block is conditionally executed
        % or the Treat as atomic unit check box is selected.
        if strcmp(get_param(blocks{n}, 'IsSubSystemVirtual'), ...
            'on')
            isNonVirtual(n) = false;
        end
    case 'Outport'
        % Outport: Virtual when the block resides within
        % SubSystem block (conditional or not), and
        % does not reside in the root (top-level) Simulink window.
        if component.Type ~= Advisor.component.Types.Model
            isNonVirtual(n) = false;
        end
    case 'Selector'
        % Virtual only when Number of input dimensions
        % specifies 1 and Index Option specifies Select
        % all, Index vector (dialog), or Starting index (dialog).
        nod = get_param(blocks{n}, 'NumberOfDimensions');
        ios = get_param(blocks{n}, 'IndexOptionArray');

        ios_settings = {'Assign all', 'Index vector (dialog)', ...
            'Starting index (dialog)'};

        if nod == 1 && any(strcmp(ios_settings, ios))
            isNonVirtual(n) = false;
        end
    case 'Trigger'
        % Virtual when the output port is not present.
        if strcmp(get_param(blocks{n}, 'ShowOutputPort'), 'off')
            isNonVirtual(n) = false;
        end
    case 'Enable'
        % Virtual unless connected directly to an Outport block.
        isNonVirtual(n) = false;

        if strcmp(get_param(blocks{n}, 'ShowOutputPort'), 'on')
            pc = get_param(blocks{n}, 'PortConnectivity');

            if ~isempty(pc.DstBlock) && ...
                strcmp(get_param(pc.DstBlock, 'BlockType'), ...
                    'Outport')
                isNonVirtual(n) = true;
            end
        end
    end
end
end
end

blocks = blocks(isNonVirtual);

res.Value = length(blocks);

end
end
end

```

Register the new metric in the metric repository.

```
[id_metric,err_msg] = slmetric.metric.registerMetric(className);
```

To begin, open the default configuration for the Metrics Dashboard layout.

```
conf = slmetric.dashboard.Configuration.open();
```

Obtain the `slmetric.dashboard.Layout` object from the `slmetric.dashboard.Configuration` object.

```
layout = getDashboardLayout(conf);
```

Obtain widget objects that are in the layout object.

```
layoutWidget = getWidgets(layout);
```

Remove the widget that represents the Simulink block count metric.

```
sizeGroup = layoutWidget(2);
sizeGroupWidgets = sizeGroup.getWidgets();
sizeGroup.removeWidget(sizeGroupWidgets(1));
```

Add a widget that displays the nonvirtual block count metric. For custom widgets, the default visualization type is single value. If you want to use a different visualization technique, specify a different value for the `VisualizationType` property.

```
newWidget = sizeGroup.addWidget('Custom', 1);
newWidget.Title = ('Nonvirtual Block Count');
newWidget.setMetricIDs('nonvirtualblockcount');
newWidget.setWidths(slmetric.dashboard.Width.Medium);
newWidget.setHeight(70);
```

Specify whether there are lines separating the custom widget from other widgets in the group. These commands specify that there is a line to the right of the widget.

```
s.top = false;
s.bottom = false;
s.left = false;
s.right = true;
newWidget.setSeparators([s, s, s, s]);
```

Save the configuration object. This command serializes the API information to an XML file.

```
save(conf, 'Filename', 'DashboardConfig.xml');
```

Set the active configuration.

```
slmetric.dashboard.setActiveConfiguration(fullfile(pwd, 'DashboardConfig.xml'));
```

For your model, open the Metrics Dashboard.

```
metricsdashboard vdp
```

Click the **All Metrics** button to run all metrics.

See Also

`slmetric.dashboard.setActiveConfiguration` |
`slmetric.dashboard.getActiveConfiguration`

Topics

“Collect Model Metric Data by Using the Metrics Dashboard”
“Customize Metrics Dashboard Layout and Functionality”

Introduced in R2018b

getWidths

Class: `slmetric.dashboard.Group`

Package: `slmetric.dashboard`

Obtain widths of Metrics Dashboard group

Syntax

```
Widths=getWidths(groupName)
```

Description

`Widths=getWidths(groupName)` returns an `slmetric.dashboard.Width` object array consisting of four enumerations. Use the `slmetric.dashboard.Group.setWidths` method to set the width sizes. You can set between one and four sizes. If you set just one size, the array contains four of the same enumerations. These are the possible enumeration values:

- `slmetric.dashboard.Width.ExtraSmall`
- `slmetric.dashboard.Width.Small`
- `slmetric.dashboard.Width.Medium`
- `slmetric.dashboard.Width.Large`
- `slmetric.dashboard.Width.XLarge`
- `slmetric.dashboard.Width.XXLarge`

These values correspond to the sizes that a group can have as the screen size changes. If the group has one value, the group always has the same size regardless of the screen size. If the group has four different values, the group size can change four times as you maximize and minimize the screen.

Input Arguments

groupName — Metrics Dashboard group

`slmetric.dashboard.Group` object

Group for which you want to obtain widths

Data Types: `char`

Output Arguments

Widths — Group widths

`slmetric.dashboard.Width` enumeration array

`slmetric.dashboard.Width` enumeration array consisting of between one and four of these values:

- `slmetric.dashboard.Width.ExtraSmall`
- `slmetric.dashboard.Width.Small`

- slmetric.dashboard.Width.Medium
- slmetric.dashboard.Width.Large
- slmetric.dashboard.Width.XLarge
- slmetric.dashboard.Width.XXLarge

Examples

Add a Custom Widget to a Group

Create a custom metric that counts nonvirtual blocks. Specify a widget to display this metric on the Metrics Dashboard. Add it to the Size Group.

Create a custom metric class.

```
className = 'nonvirtualblockcount';
slmetric.metric.createNewMetricClass(className);
```

Create the nonvirtual block count metric by adding this code to the nonvirtualblockcount.m file.

```
classdef nonvirtualblockcount < slmetric.metric.Metric
    %nonvirtualblockcount calculates number of nonvirtual blocks per level.
    % BusCreator, BusSelector and BusAssign are treated as nonvirtual.
    properties
        VirtualBlockTypes = {'Demux','From','Goto','Ground', ...
            'GotoTagVisiblity','Mux','SignalSpecification', ...
            'Terminator','Inport'};
    end

    methods
        function this = nonvirtualblockcount()
            this.ID = 'nonvirtualblockcount';
            this.Name = 'Nonvirtual Block Count';
            this.Version = 1;
            this.CompileContext = 'None';
            this.Description = 'Algorithm that counts nonvirtual blocks per level.';
            this.AggregatedValueName = 'Nonvirtual Blocks (incl. Descendants)'
            this.ValueName = 'Nonvirtual Blocks'
            this.ComponentScope = [Advisor.component.Types.Model, ...
                Advisor.component.Types.SubSystem];
            this.AggregationMode = slmetric.AggregationMode.Sum;
            this.ResultChecksumCoverage = true;
            this.SupportsResultDetails = true;
        end

        function res = algorithm(this, component)
            % create a result object for this component
            res = slmetric.metric.Result();

            % set the component and metric ID
            res.ComponentID = component.ID;
            res.MetricID = this.ID;

            % Practice
            D1=slmetric.metric.ResultDetail('identifier 1','Name 1');
```



```

D1.Value=0;
D1.setGroup('Group1','GroupName');
D2=slmetric.metric.ResultDetail('identifier 2','Name 2');
D2.Value=1;
D2.setGroup('Group1','GroupName');

% use find_system to get all blocks inside this component
blocks = find_system(getPath(component), ...
    'SearchDepth', 1, ...
    'Type', 'Block');

isNonVirtual = true(size(blocks));

for n=1:length(blocks)
    blockType = get_param(blocks{n}, 'BlockType');

    if any(strcmp(this.VirtualBlockTypes, blockType))
        isNonVirtual(n) = false;
    else
        switch blockType
            case 'SubSystem'
                % Virtual unless the block is conditionally executed
                % or the Treat as atomic unit check box is selected.
                if strcmp(get_param(blocks{n}, 'IsSubSystemVirtual'), ...
                    'on')
                    isNonVirtual(n) = false;
                end
            case 'Outputport'
                % Outputport: Virtual when the block resides within
                % SubSystem block (conditional or not), and
                % does not reside in the root (top-level) Simulink window.
                if component.Type ~= Advisor.component.Types.Model
                    isNonVirtual(n) = false;
                end
            case 'Selector'
                % Virtual only when Number of input dimensions
                % specifies 1 and Index Option specifies Select
                % all, Index vector (dialog), or Starting index (dialog).
                nod = get_param(blocks{n}, 'NumberOfDimensions');
                ios = get_param(blocks{n}, 'IndexOptionArray');

                ios_settings = {'Assign all', 'Index vector (dialog)', ...
                    'Starting index (dialog)'};

                if nod == 1 && any(strcmp(ios_settings, ios))
                    isNonVirtual(n) = false;
                end
            case 'Trigger'
                % Virtual when the output port is not present.
                if strcmp(get_param(blocks{n}, 'ShowOutputPort'), 'off')
                    isNonVirtual(n) = false;
                end
            case 'Enable'
                % Virtual unless connected directly to an Outputport block.
                isNonVirtual(n) = false;
        end
    end
end

```

```

        if strcmp(get_param(blocks{n}, 'ShowOutputPort'), 'on')
            pc = get_param(blocks{n}, 'PortConnectivity');

            if ~isempty(pc.DstBlock) && ...
                strcmp(get_param(pc.DstBlock, 'BlockType'), ...
                    'Outport')
                isNonVirtual(n) = true;
            end
        end
    end
end

blocks = blocks(isNonVirtual);

res.Value = length(blocks);
end
end
end

```

Register the new metric in the metric repository.

```
[id_metric,err_msg] = slmetric.metric.registerMetric(className);
```

To begin, open the default configuration for the Metrics Dashboard layout.

```
conf = slmetric.dashboard.Configuration.open();
```

Obtain the `slmetric.dashboard.Layout` object from the `slmetric.dashboard.Configuration` object.

```
layout = getDashboardLayout(conf);
```

Obtain widget objects that are in the layout object.

```
layoutWidget = getWidgets(layout);
```

Remove the widget that represents the Simulink block count metric.

```
sizeGroup = layoutWidget(2);
sizeGroupWidgets = sizeGroup.getWidgets();
sizeGroup.removeWidget(sizeGroupWidgets(1));
```

Add a widget that displays the nonvirtual block count metric. For custom widgets, the default visualization type is single value. If you want to use a different visualization technique, specify a different value for the `VisualizationType` property.

```
newWidget = sizeGroup.addWidget('Custom', 1);
newWidget.Title = ('Nonvirtual Block Count');
newWidget.setMetricIDs('nonvirtualblockcount');
newWidget.setWidths(slmetric.dashboard.Width.Medium);
newWidget.setHeight(70);
```

Specify whether there are lines separating the custom widget from other widgets in the group. These commands specify that there is a line to the right of the widget.

```
s.top = false;
s.bottom = false;
```

```
s.left = false;  
s.right = true;  
newWidget.setSeparators([s, s, s, s]);
```

Save the configuration object. This command serializes the API information to an XML file.

```
save(conf, 'Filename', 'DashboardConfig.xml');
```

Set the active configuration.

```
slmetric.dashboard.setActiveConfiguration(fullfile(pwd, 'DashboardConfig.xml'));
```

For your model, open the Metrics Dashboard.

```
metricsdashboard vdp
```

Click the **All Metrics** button to run all metrics.

See Also

```
slmetric.dashboard.setActiveConfiguration |  
slmetric.dashboard.getActiveConfiguration
```

Topics

“Collect Model Metric Data by Using the Metrics Dashboard”

“Customize Metrics Dashboard Layout and Functionality”

Introduced in R2018b

removeWidget

Class: `slmetric.dashboard.Group`

Package: `slmetric.dashboard`

Remove widget from `slmetric.dashboard.Group` object

Syntax

```
removeWidget(group, widget)
```

Description

`removeWidget(group, widget)` removes a widget from an `slmetric.dashboard.Group` object. You can remove these widgets from the Metrics Dashboard:

- `slmetric.dashboard.Group`
- `slmetric.dashboard.Container`
- `slmetric.dashboard.Custom`
- `slmetric.dashboard.Widget`

Use the `getWidgets` method to identify widgets that you want to remove from an `slmetric.dashboard.Group` object.

Input Arguments

group — Remove widget from group in Metrics Dashboard

`slmetric.dashboard.Group` object

Remove widget object from an `slmetric.dashboard.Group` object.

widget — Widget that you want to remove from a `slmetric.dashboard.Group` object

index of widget in array

Widget object that you want to remove from an `slmetric.dashboard.Group` object. Apply the `removeWidget` method to the array index containing the widget that you want to remove from the group in the `slmetric.dashboard.Layout` object.

Examples

Add a Custom Widget to a Group

Create a custom metric that counts nonvirtual blocks. Specify a widget to display this metric on the Metrics Dashboard. Add it to the Size Group.

Create a custom metric class.

```
className = 'nonvirtualblockcount';  
slmetric.metric.createNewMetricClass(className);
```

Create the nonvirtual block count metric by adding this code to the nonvirtualblockcount.m file.

```

classdef nonvirtualblockcount < slmetric.metric.Metric
    %nonvirtualblockcount calculates number of nonvirtual blocks per level.
    % BusCreator, BusSelector and BusAssign are treated as nonvirtual.
    properties
        VirtualBlockTypes = {'Demux','From','Goto','Ground', ...
            'GotoTagVisiblity','Mux','SignalSpecification', ...
            'Terminator','Inport'};
    end

    methods
        function this = nonvirtualblockcount()
            this.ID = 'nonvirtualblockcount';
            this.Name = 'Nonvirtual Block Count';
            this.Version = 1;
            this.CompileContext = 'None';
            this.Description = 'Algorithm that counts nonvirtual blocks per level.';
            this.AggregatedValueName = 'Nonvirtual Blocks (incl. Descendants)'
            this.ValueName = 'Nonvirtual Blocks'
            this.ComponentScope = [Advisor.component.Types.Model, ...
                Advisor.component.Types.SubSystem];
            this.AggregationMode = slmetric.AggregationMode.Sum;
            this.ResultChecksumCoverage = true;
            this.SupportsResultDetails = true;
        end

        function res = algorithm(this, component)
            % create a result object for this component
            res = slmetric.metric.Result();

            % set the component and metric ID
            res.ComponentID = component.ID;
            res.MetricID = this.ID;

            % Practice
            D1=slmetric.metric.ResultDetail('identifier 1','Name 1');
            D1.Value=0;
            D1.setGroup('Group1','Group1Name');
            D2=slmetric.metric.ResultDetail('identifier 2','Name 2');
            D2.Value=1;
            D2.setGroup('Group1','Group1Name');

            % use find_system to get all blocks inside this component
            blocks = find_system(getPath(component), ...
                'SearchDepth', 1, ...
                'Type', 'Block');

            isNonVirtual = true(size(blocks));

            for n=1:length(blocks)
                blockType = get_param(blocks{n}, 'BlockType');

                if any(strcmp(this.VirtualBlockTypes, blockType))
                    isNonVirtual(n) = false;
                end
            end
        end
    end
end

```

```

else
    switch blockType
    case 'SubSystem'
        % Virtual unless the block is conditionally executed
        % or the Treat as atomic unit check box is selected.
        if strcmp(get_param(blocks{n}, 'IsSubSystemVirtual'), ...
            'on')
            isNonVirtual(n) = false;
        end
    case 'Outport'
        % Outport: Virtual when the block resides within
        % SubSystem block (conditional or not), and
        % does not reside in the root (top-level) Simulink window.
        if component.Type ~= Advisor.component.Types.Model
            isNonVirtual(n) = false;
        end
    case 'Selector'
        % Virtual only when Number of input dimensions
        % specifies 1 and Index Option specifies Select
        % all, Index vector (dialog), or Starting index (dialog).
        nod = get_param(blocks{n}, 'NumberOfDimensions');
        ios = get_param(blocks{n}, 'IndexOptionArray');

        ios_settings = {'Assign all', 'Index vector (dialog)', ...
            'Starting index (dialog)'};

        if nod == 1 && any(strcmp(ios_settings, ios))
            isNonVirtual(n) = false;
        end
    case 'Trigger'
        % Virtual when the output port is not present.
        if strcmp(get_param(blocks{n}, 'ShowOutputPort'), 'off')
            isNonVirtual(n) = false;
        end
    case 'Enable'
        % Virtual unless connected directly to an Outport block.
        isNonVirtual(n) = false;

        if strcmp(get_param(blocks{n}, 'ShowOutputPort'), 'on')
            pc = get_param(blocks{n}, 'PortConnectivity');

            if ~isempty(pc.DstBlock) && ...
                strcmp(get_param(pc.DstBlock, 'BlockType'), ...
                    'Outport')
                isNonVirtual(n) = true;
            end
        end
    end
end
end
end

blocks = blocks(isNonVirtual);

res.Value = length(blocks);

end
end
end

```

Register the new metric in the metric repository.

```
[id_metric,err_msg] = slmetric.metric.registerMetric(className);
```

To begin, open the default configuration for the Metrics Dashboard layout.

```
conf = slmetric.dashboard.Configuration.open();
```

Obtain the `slmetric.dashboard.Layout` object from the `slmetric.dashboard.Configuration` object.

```
layout = getDashboardLayout(conf);
```

Obtain widget objects that are in the layout object.

```
layoutWidget = getWidgets(layout);
```

Remove the widget that represents the Simulink block count metric.

```
sizeGroup = layoutWidget(2);
sizeGroupWidgets = sizeGroup.getWidgets();
sizeGroup.removeWidget(sizeGroupWidgets(1));
```

Add a widget that displays the nonvirtual block count metric. For custom widgets, the default visualization type is single value. If you want to use a different visualization technique, specify a different value for the `VisualizationType` property.

```
newWidget = sizeGroup.addWidget('Custom', 1);
newWidget.Title = ('Nonvirtual Block Count');
newWidget.setMetricIDs('nonvirtualblockcount');
newWidget.setWidths(slmetric.dashboard.Width.Medium);
newWidget.setHeight(70);
```

Specify whether there are lines separating the custom widget from other widgets in the group. These commands specify that there is a line to the right of the widget.

```
s.top = false;
s.bottom = false;
s.left = false;
s.right = true;
newWidget.setSeparators([s, s, s, s]);
```

Save the configuration object. This command serializes the API information to an XML file.

```
save(conf, 'Filename', 'DashboardConfig.xml');
```

Set the active configuration.

```
slmetric.dashboard.setActiveConfiguration(fullfile(pwd, 'DashboardConfig.xml'));
```

For your model, open the Metrics Dashboard.

```
metricsdashboard vdp
```

Click the **All Metrics** button to run all metrics.

See Also

`slmetric.dashboard.setActiveConfiguration` |
`slmetric.dashboard.getActiveConfiguration`

Topics

“Collect Model Metric Data by Using the Metrics Dashboard”
“Customize Metrics Dashboard Layout and Functionality”

Introduced in R2018b

setSeparators

Class: `slmetric.dashboard.Group`

Package: `slmetric.dashboard`

Specify lines on Metrics Dashboard group sides

Syntax

`setSeparators(S)`

Description

`setSeparators(S)` specifies whether there are lines on the sides of an `slmetric.dashboard.Group` object.

Input Arguments

S — Structure of four Boolean values

Structure | Array of Structures

The input is a structure array consisting of these fields:

- `S.top`
- `S.bottom`
- `S.left`
- `S.right`

Each field must be set to 1 or 0. A value of 1 indicates that there is a line on that group side. A value of 0 indicates that there is no line on that group side. To indicate that the group sides are always the same even if the screen size changes, you can pass one structure. Passing four structures indicates that the group sides can have different separators as the screen width size changes. Use the `setWidths` method to specify up to four different widths.

Data Types: `char`

Examples

Add a Custom Widget to a Group

Create a custom metric that counts nonvirtual blocks. Specify a widget to display this metric on the Metrics Dashboard. Add it to the Size Group.

Create a custom metric class.

```
className = 'nonvirtualblockcount';
slmetric.metric.createNewMetricClass(className);
```

Create the nonvirtual block count metric by adding this code to the `nonvirtualblockcount.m` file.

```

classdef nonvirtualblockcount < slmetric.metric.Metric
    %nonvirtualblockcount calculates number of nonvirtual blocks per level.
    % BusCreator, BusSelector and BusAssign are treated as nonvirtual.
    properties
        VirtualBlockTypes = {'Demux','From','Goto','Ground', ...
            'GotoTagVisiblity','Mux','SignalSpecification', ...
            'Terminator','Inport'};
    end

    methods
        function this = nonvirtualblockcount()
            this.ID = 'nonvirtualblockcount';
            this.Name = 'Nonvirtual Block Count';
            this.Version = 1;
            this.CompileContext = 'None';
            this.Description = 'Algorithm that counts nonvirtual blocks per level.';
            this.ComponentScope = [Advisor.component.Types.Model, ...
                Advisor.component.Types.SubSystem];
            this.AggregationMode = slmetric.AggregationMode.Sum;
            this.ResultChecksumCoverage = true;
            this.SupportsResultDetails = true;
        end

        function res = algorithm(this, component)
            % create a result object for this component
            res = slmetric.metric.Result();

            % set the component and metric ID
            res.ComponentID = component.ID;
            res.MetricID = this.ID;

            % Practice
            D1=slmetric.metric.ResultDetail('identifier 1','Name 1');
            D1.Value=0;
            D1.setGroup('Group1','Group1Name');
            D2=slmetric.metric.ResultDetail('identifier 2','Name 2');
            D2.Value=1;
            D2.setGroup('Group1','Group1Name');

            % use find_system to get all blocks inside this component
            blocks = find_system(getPath(component), ...
                'SearchDepth', 1, ...
                'Type', 'Block');

            isNonVirtual = true(size(blocks));

            for n=1:length(blocks)
                blockType = get_param(blocks{n}, 'BlockType');

                if any(strcmp(this.VirtualBlockTypes, blockType))
                    isNonVirtual(n) = false;
                else
                    switch blockType
                        case 'SubSystem'
                            % Virtual unless the block is conditionally executed
                    end
                end
            end
        end
    end
end

```

```

        % or the Treat as atomic unit check box is selected.
        if strcmp(get_param(blocks{n}, 'IsSubSystemVirtual'), ...
            'on')
            isNonVirtual(n) = false;
        end
    case 'Outport'
        % Outport: Virtual when the block resides within
        % SubSystem block (conditional or not), and
        % does not reside in the root (top-level) Simulink window.
        if component.Type ~= Advisor.component.Types.Model
            isNonVirtual(n) = false;
        end
    case 'Selector'
        % Virtual only when Number of input dimensions
        % specifies 1 and Index Option specifies Select
        % all, Index vector (dialog), or Starting index (dialog).
        nod = get_param(blocks{n}, 'NumberOfDimensions');
        ios = get_param(blocks{n}, 'IndexOptionArray');

        ios_settings = {'Assign all', 'Index vector (dialog)', ...
            'Starting index (dialog)'};

        if nod == 1 && any(strcmp(ios_settings, ios))
            isNonVirtual(n) = false;
        end
    case 'Trigger'
        % Virtual when the output port is not present.
        if strcmp(get_param(blocks{n}, 'ShowOutputPort'), 'off')
            isNonVirtual(n) = false;
        end
    case 'Enable'
        % Virtual unless connected directly to an Outport block.
        isNonVirtual(n) = false;

        if strcmp(get_param(blocks{n}, 'ShowOutputPort'), 'on')
            pc = get_param(blocks{n}, 'PortConnectivity');

            if ~isempty(pc.DstBlock) && ...
                strcmp(get_param(pc.DstBlock, 'BlockType'), ...
                    'Outport')
                isNonVirtual(n) = true;
            end
        end
    end
end
end
end
end

blocks = blocks(isNonVirtual);

res.Value = length(blocks);
end
end
end

```

Register the new metric in the metric repository.

```
[id_metric,err_msg] = slmetric.metric.registerMetric(className);
```

To begin, open the default configuration for the Metrics Dashboard layout.

```
conf = slmetric.dashboard.Configuration.open();
```

Obtain the `slmetric.dashboard.Layout` object from the `slmetric.dashboard.Configuration` object.

```
layout = getDashboardLayout(conf);
```

Obtain widget objects that are in the layout object.

```
layoutWidget = getWidgets(layout);
```

Remove the widget that represents the Simulink block count metric.

```
sizeGroup = layoutWidget(2);  
sizeGroupWidgets = sizeGroup.getWidgets();  
sizeGroup.removeWidget(sizeGroupWidgets(1));
```

Add a widget that displays the nonvirtual block count metric. For custom widgets, the default visualization type is single value. If you want to use a different visualization technique, specify a different value for the `VisualizationType` property.

```
newWidget = sizeGroup.addWidget('Custom', 1);  
newWidget.Title = ('Nonvirtual Block Count');  
newWidget.setMetricIDs('nonvirtualblockcount');  
newWidget.setWidths(slmetric.dashboard.Width.Medium);  
newWidget.setHeight(70);
```

Specify whether there are lines separating the custom widget from other widgets in the group. These commands specify that there is a line to the right of the widget.

```
s.top = false;  
s.bottom = false;  
s.left = false;  
s.right = true;  
newWidget.setSeparators([s, s, s, s]);
```

Save the configuration object. This command serializes the API information to an XML file.

```
save(conf, 'Filename', 'DashboardConfig.xml');
```

Set the active configuration.

```
slmetric.dashboard.setActiveConfiguration(fullfile(pwd, 'DashboardConfig.xml'));
```

For your model, open the Metrics Dashboard.

```
metricsdashboard vdp
```

Click the **All Metrics** button to run all metrics.

See Also

`slmetric.dashboard.setActiveConfiguration` |
`slmetric.dashboard.getActiveConfiguration`

Topics

“Collect Model Metric Data by Using the Metrics Dashboard”

“Customize Metrics Dashboard Layout and Functionality”

Introduced in R2018b

setWidths

Class: `slmetric.dashboard.Group`

Package: `slmetric.dashboard`

Specify multiple widths for Metrics Dashboard group

Syntax

```
setWidths(groupName, widths)
```

Description

`setWidths(groupName, widths)` specifies possible widths for an `slmetric.dashboard.Group` object. You can specify up to four different widths. For the input argument `widths`, pass either one value or an array of four values. You can choose from these possible values:

- `slmetric.dashboard.Width.ExtraSmall`
- `slmetric.dashboard.Width.Small`
- `slmetric.dashboard.Width.Medium`
- `slmetric.dashboard.Width.Large`
- `slmetric.dashboard.Width.XLarge`
- `slmetric.dashboard.Width.XXLarge`

These values correspond to the different sizes that a group can have as the screen size changes. If you specify one value, the group always has that value regardless of the screen size. If you specify four different values, the container size can change four times as you maximize and minimize the screen.

Input Arguments

groupName — Group that is to have between one and four widths

`slmetric.dashboard.Group` object

`slmetric.dashboard.Container` object that is to have between one and four widths

widths — Width array

character vector | array of character vectors | string scalar | array of string scalars

Specify one or as many as four of these values:

- `slmetric.dashboard.Width.ExtraSmall`
- `slmetric.dashboard.Width.Small`
- `slmetric.dashboard.Width.Medium`
- `slmetric.dashboard.Width.Large`
- `slmetric.dashboard.Width.XLarge`

- `slmetric.dashboard.Width.XXLarge`

Examples

Add a Custom Widget to a Group

Create a custom metric that counts nonvirtual blocks. Specify a widget to display this metric on the Metrics Dashboard. Add it to the Size Group.

Create a custom metric class.

```
className = 'nonvirtualblockcount';
slmetric.metric.createNewMetricClass(className);
```

Create the nonvirtual block count metric by adding this code to the `nonvirtualblockcount.m` file.

```
classdef nonvirtualblockcount < slmetric.metric.Metric
    %nonvirtualblockcount calculates number of nonvirtual blocks per level.
    % BusCreator, BusSelector and BusAssign are treated as nonvirtual.
    properties
        VirtualBlockTypes = {'Demux', 'From', 'Goto', 'Ground', ...
            'GotoTagVisibility', 'Mux', 'SignalSpecification', ...
            'Terminator', 'Inport'};
    end

    methods
        function this = nonvirtualblockcount()
            this.ID = 'nonvirtualblockcount';
            this.Name = 'Nonvirtual Block Count';
            this.Version = 1;
            this.CompileContext = 'None';
            this.Description = 'Algorithm that counts nonvirtual blocks per level.';
            this.AggregatedValueName = 'Nonvirtual Blocks (incl. Descendants)'
            this.ValueName = 'Nonvirtual Blocks'
            this.ComponentScope = [Advisor.component.Types.Model, ...
                Advisor.component.Types.SubSystem];
            this.AggregationMode = slmetric.AggregationMode.Sum;
            this.ResultChecksumCoverage = true;
            this.SupportsResultDetails = true;
        end

        function res = algorithm(this, component)
            % create a result object for this component
            res = slmetric.metric.Result();

            % set the component and metric ID
            res.ComponentID = component.ID;
            res.MetricID = this.ID;

            % Practice
            D1=slmetric.metric.ResultDetail('identifier 1','Name 1');
            D1.Value=0;
            D1.setGroup('Group1','Group1Name');
            D2=slmetric.metric.ResultDetail('identifier 2','Name 2');
            D2.Value=1;
        end
    end
end
```

```

D2.setGroup('Group1','Group1Name');

% use find_system to get all blocks inside this component
blocks = find_system(getPath(component), ...
    'SearchDepth', 1, ...
    'Type', 'Block');

isNonVirtual = true(size(blocks));

for n=1:length(blocks)
    blockType = get_param(blocks{n}, 'BlockType');

    if any(strcmp(this.VirtualBlockTypes, blockType))
        isNonVirtual(n) = false;
    else
        switch blockType
            case 'SubSystem'
                % Virtual unless the block is conditionally executed
                % or the Treat as atomic unit check box is selected.
                if strcmp(get_param(blocks{n}, 'IsSubSystemVirtual'), ...
                    'on')
                    isNonVirtual(n) = false;
                end
            case 'Outport'
                % Outport: Virtual when the block resides within
                % SubSystem block (conditional or not), and
                % does not reside in the root (top-level) Simulink window.
                if component.Type ~= Advisor.component.Types.Model
                    isNonVirtual(n) = false;
                end
            case 'Selector'
                % Virtual only when Number of input dimensions
                % specifies 1 and Index Option specifies Select
                % all, Index vector (dialog), or Starting index (dialog).
                nod = get_param(blocks{n}, 'NumberOfDimensions');
                ios = get_param(blocks{n}, 'IndexOptionArray');

                ios_settings = {'Assign all', 'Index vector (dialog)', ...
                    'Starting index (dialog)'};

                if nod == 1 && any(strcmp(ios_settings, ios))
                    isNonVirtual(n) = false;
                end
            case 'Trigger'
                % Virtual when the output port is not present.
                if strcmp(get_param(blocks{n}, 'ShowOutputPort'), 'off')
                    isNonVirtual(n) = false;
                end
            case 'Enable'
                % Virtual unless connected directly to an Outport block.
                isNonVirtual(n) = false;

                if strcmp(get_param(blocks{n}, 'ShowOutputPort'), 'on')
                    pc = get_param(blocks{n}, 'PortConnectivity');

                    if ~isempty(pc.DstBlock) && ...

```



```

                                strcmp(get_param(pc.DstBlock, 'BlockType'), ...
                                'Output')
                                isNonVirtual(n) = true;
                                end
                            end
                        end
                    end
                end
            end
        end
        blocks = blocks(isNonVirtual);
        res.Value = length(blocks);
    end
end
end
end

```

Register the new metric in the metric repository.

```
[id_metric,err_msg] = slmetric.metric.registerMetric(className);
```

To begin, open the default configuration for the Metrics Dashboard layout.

```
conf = slmetric.dashboard.Configuration.open();
```

Obtain the `slmetric.dashboard.Layout` object from the `slmetric.dashboard.Configuration` object.

```
layout = getDashboardLayout(conf);
```

Obtain widget objects that are in the layout object.

```
layoutWidget = getWidgets(layout);
```

Remove the widget that represents the Simulink block count metric.

```
sizeGroup = layoutWidget(2);
sizeGroupWidgets = sizeGroup.getWidgets();
sizeGroup.removeWidget(sizeGroupWidgets(1));
```

Add a widget that displays the nonvirtual block count metric. For custom widgets, the default visualization type is single value. If you want to use a different visualization technique, specify a different value for the `VisualizationType` property.

```
newWidget = sizeGroup.addWidget('Custom', 1);
newWidget.Title = ('Nonvirtual Block Count');
newWidget.setMetricIDs('nonvirtualblockcount');
newWidget.setWidths(slmetric.dashboard.Width.Medium);
newWidget.setHeight(70);
```

Specify whether there are lines separating the custom widget from other widgets in the group. These commands specify that there is a line to the right of the widget.

```
s.top = false;
s.bottom = false;
s.left = false;
s.right = true;
newWidget.setSeparators([s, s, s, s]);
```

Save the configuration object. This command serializes the API information to an XML file.

```
save(conf, 'Filename', 'DashboardConfig.xml');
```

Set the active configuration.

```
slmetric.dashboard.setActiveConfiguration(fullfile(pwd, 'DashboardConfig.xml'));
```

For your model, open the Metrics Dashboard.

```
metricsdashboard vdp
```

Click the **All Metrics** button to run all metrics.

See Also

```
slmetric.dashboard.setActiveConfiguration |  
slmetric.dashboard.getActiveConfiguration
```

Topics

“Collect Model Metric Data by Using the Metrics Dashboard”

“Customize Metrics Dashboard Layout and Functionality”

Introduced in R2018b

addWidget

Class: `slmetric.dashboard.Layout`

Package: `slmetric.dashboard`

Add widget to `slmetric.dashboard.Layout` object

Syntax

```
newWidget = addWidget(dashboardLayout,widgetType,num)
```

Description

`newWidget = addWidget(dashboardLayout,widgetType,num)` adds a widget to an `slmetric.dashboard.Layout` object.

Input Arguments

dashboardLayout — Add widget to Metrics Dashboard

`slmetric.dashboard.Layout` object

`slmetric.dashboard.Layout` object for which you want to add widgets to customize Metrics Dashboard layout.

widgetType — Metrics Dashboard widget

Group | Container | SystemInfo | GlocalInterface | LibraryReuse | Custom

Specify the `Type` property of an `slmetric.dashboard.Container`, `slmetric.dashboard.Widget`, `slmetric.dashboard.Group`, or `slmetric.dashboard.CustomWidget` object.

Data Types: `char`

num — Widget placement

`int`

Placement of widget on Metrics Dashboard. Order of widgets proceeds from left to right, and then down.

Output Arguments

newWidget — New Metrics Dashboard widget

`slmetric.dashboard.Widget` object

New widget that you are adding to Metrics Dashboard. Choose from one of these widgets:

- `slmetric.dashboard.Group`
- `slmetric.dashboard.Container`
- `slmetric.dashboard.Widget`

- `slmetric.dashboard.Custom`

Examples

Configure Compliance Metrics

You can use the Metrics Dashboard and metric APIs to obtain compliance and issues metric data on your Model Advisor configuration. To set up your Model Advisor configuration, see “Use the Model Advisor Configuration Editor to Customize the Model Advisor”. You can also use an existing check group such as the MISRA checks. After you have set up your Model Advisor configuration, follow these steps to specify the check groups for which you want to obtain compliance and issues metric data:

Open the default configuration:

```
config=slmetric.config.Configuration.open()
```

Specify a metric family ID that you associate with those check groups:

```
famParamID = 'ModelAdvisorStandard';
```

Create a cell array consisting of the Check Group IDs that correspond to the check groups. Obtain a Check Group ID by opening up the Model Advisor Configuration Editor and selecting the folder that contains the group of checks. The folder contains a **Check Group ID** parameter.

```
values = {'maab', 'hisl_do178', '_SYSTEM_By Task_misra_c'};
```

The previous cell array specifies MAB, High-Integrity, and MISRA check groups. The values `maab` and `hisl_do178` correspond to a subset of MAB and High-Integrity System checks. To include all checks, specify the value for the **Check Group ID** parameter from the Model Advisor Configuration Editor.

To set up the configuration, pass the `values` cell array into the `setMetricFamilyParameterValues` method.

```
setMetricFamilyParameterValues(config, famParamID, values);
```

Point the **High Integrity Compliance** and **High Integrity Check Issues** widgets to the MISRA check group. To begin, open the default configuration for the Metrics Dashboard layout.

```
conf = slmetric.dashboard.Configuration.open();
```

Obtain the `slmetric.dashboard.Layout` object from the `slmetric.dashboard.Configuration` object `conf`.

```
layout = getDashboardLayout(conf);
```

Obtain the widget objects that are in the layout object.

```
layoutWidget = getWidgets(layout);
```

Obtain the compliance group from the layout. This group contains two containers. The first container contains the High Integrity and MAB Compliance and Check Issues widgets. Remove the **High Integrity Compliance** widget.

```
complianceGroup = layoutWidget(3);  
complianceContainers = getWidgets(complianceGroup);
```

```

complianceContainerWidgets = getWidgets(complianceContainers(1));
complianceContainers(1).removeWidget(complianceContainerWidgets(1));
setMetricIDs(complianceContainerWidgets(1),...
({'mathworks.metrics.ModelAdvisorCompliance._SYSTEM_By_Task_misra_c'}));
complianceContainerWidgets(1).Labels = {'MISRA'};

```

Add a custom widget for visualizing MISRA check issues metrics to the `complianceContainers` `slmetric.dashboard.Container` object.

```

misraWidget = complianceContainers(1).addWidget('Custom', 1);
misraWidget.Title = ('MISRA');
misraWidget.VisualizationType = 'RadialGauge';
misraWidget.setMetricIDs('mathworks.metrics.ModelAdvisorCheckCompliance._SYSTEM_By_Task_misra_c');
misraWidget.setWidths(slmetric.dashboard.Width.Medium);

```

Save the configuration objects. These commands serialize the API information to XML files.

```

save(config, 'FileName', 'MetricConfig.xml');
save(conf, 'Filename', 'DashboardConfig.xml');

```

Set the active configurations.

```

slmetric.config.setActiveConfiguration(fullfile(pwd, 'MetricConfig.xml'));
slmetric.dashboard.setActiveConfiguration(fullfile(pwd, 'DashboardConfig.xml'));

```

For your model, open the Metrics Dashboard.

```
metricsdashboard vdp
```

Click the **All Metrics** button to run all metrics.

See Also

```

slmetric.dashboard.setActiveConfiguration |
slmetric.dashboard.getActiveConfiguration

```

Topics

“Collect Model Metric Data by Using the Metrics Dashboard”
 “Customize Metrics Dashboard Layout and Functionality”

Introduced in R2018b

getWidgets

Class: `slmetric.dashboard.Layout`

Package: `slmetric.dashboard`

Obtain a list of widgets in an `slmetric.dashboard.Layout` object

Syntax

```
Layout = getWidgets(dashboardLayout)
```

Description

`Layout = getWidgets(dashboardLayout)` creates an array of objects that are in the `slmetric.dashboard.Layout` object. These objects are widgets of the following types:

- `slmetric.dashboard.Group`
- `slmetric.dashboard.Container`
- `slmetric.dashboard.Widget`
- `slmetric.dashboard.CustomWidget`

Use the `getWidgets` method to identify widgets that you want to modify or remove from the `slmetric.dashboard.Layout` object.

Input Arguments

dashboardLayout — **Object that holds Metrics Dashboard layout customizations**

`slmetric.dashboard.Layout` object

`slmetric.dashboard.Layout` object for which you want to obtain a list of widgets.

Data Types: char

Output Arguments

Layout — **Array of objects in `slmetric.dashboard.Layout` object**

array of objects

Array of objects in `slmetric.dashboard.Layout` object.

Examples

Configure Compliance Metrics

You can use the Metrics Dashboard and metric APIs to obtain compliance and issues metric data on your Model Advisor configuration. To set up your Model Advisor configuration, see “Use the Model Advisor Configuration Editor to Customize the Model Advisor”. You can also use an existing check group such as the MISRA checks. After you have set up your Model Advisor configuration, follow

these steps to specify the check groups for which you want to obtain compliance and issues metric data:

Open the default configuration:

```
config=slmetric.config.Configuration.open()
```

Specify a metric family ID that you associate with those check groups:

```
famParamID = 'ModelAdvisorStandard';
```

Create a cell array consisting of the Check Group IDs that correspond to the check groups. Obtain a Check Group ID by opening up the Model Advisor Configuration Editor and selecting the folder that contains the group of checks. The folder contains a **Check Group ID** parameter.

```
values = {'maab', 'hisl_do178', '_SYSTEM_By Task_misra_c'};
```

The previous cell array specifies MAB, High-Integrity, and MISRA check groups. The values `maab` and `hisl_do178` correspond to a subset of MAB and High-Integrity System checks. To include all checks, specify the value for the **Check Group ID** parameter from the Model Advisor Configuration Editor.

To set up the configuration, pass the `values` cell array into the `setMetricFamilyParameterValues` method.

```
setMetricFamilyParameterValues(config, famParamID, values);
```

Point the **High Integrity Compliance** and **High Integrity Check Issues** widgets to the MISRA check group. To begin, open the default configuration for the Metrics Dashboard layout.

```
conf = slmetric.dashboard.Configuration.open();
```

Obtain the `slmetric.dashboard.Layout` object from the `slmetric.dashboard.Configuration` object `conf`.

```
layout = getDashboardLayout(conf);
```

Obtain the widget objects that are in the layout object.

```
layoutWidget=getWidgets(layout);
```

Obtain the compliance group from the layout. This group contains two containers. The first container contains the High Integrity and MAB Compliance and Check Issues widgets. Remove the **High Integrity Compliance** widget.

```
complianceGroup = layoutWidget(3);
complianceContainers = getWidgets(complianceGroup);
complianceContainerWidgets = getWidgets(complianceContainers(1));
complianceContainers(1).removeWidget(complianceContainerWidgets(1));
setMetricIDs(complianceContainerWidgets(1),...
({'mathworks.metrics.ModelAdvisorCompliance._SYSTEM_By Task_misra_c'}));
complianceContainerWidgets(1).Labels={'MISRA'};
```

Add a custom widget for visualizing MISRA check issues metrics to the `complianceContainers` `slmetric.dashboard.Container` object.

```
misraWidget = complianceContainers(1).addWidget('Custom', 1);
misraWidget.Title={'MISRA'};
misraWidget.VisualizationType = 'RadialGauge';
```

```
misraWidget.setMetricIDs('mathworks.metrics.ModelAdvisorCheckCompliance._SYSTEM_By Task_misra_c');  
misraWidget.setWidths(slmetric.dashboard.Width.Medium);
```

Save the configuration objects. These commands serialize the API information to XML files.

```
save(config, 'FileName', 'MetricConfig.xml');  
save(conf, 'Filename', 'DashboardConfig.xml');
```

Set the active configurations.

```
slmetric.config.setActiveConfiguration(fullfile(pwd, 'MetricConfig.xml'));  
slmetric.dashboard.setActiveConfiguration(fullfile(pwd, 'DashboardConfig.xml'));
```

For your model, open the Metrics Dashboard.

```
metricsdashboard vdp
```

Click the **All Metrics** button to run all metrics.

See Also

```
slmetric.dashboard.setActiveConfiguration |  
slmetric.dashboard.getActiveConfiguration
```

Topics

“Collect Model Metric Data by Using the Metrics Dashboard”

“Customize Metrics Dashboard Layout and Functionality”

Introduced in R2018b

removeWidget

Class: `slmetric.dashboard.Layout`

Package: `slmetric.dashboard`

Remove widget from `slmetric.dashboard.Layout` object

Syntax

```
removeWidget(dashboardLayout,widget in array)
```

Description

`removeWidget(dashboardLayout,widget in array)` removes a widget from an `slmetric.dashboard.Layout` object. You can remove these widgets from the Metrics Dashboard:

- `slmetric.dashboard.Group`
- `slmetric.dashboard.Container`
- `slmetric.dashboard.CustomWidget`
- `slmetric.dashboard.Widget`

Use the `getWidgets` method to identify widgets that you want to remove from a `slmetric.dashboard.Layout` object.

Input Arguments

dashboardLayout — Remove widget from Metrics Dashboard

`slmetric.dashboard.Layout` object

Remove widget object from an `slmetric.dashboard.Layout` object.

widget — Widget to remove from an `slmetrics.dashboard.Layout` object

index of widget in array

Widget object that you want to remove from an `slmetric.dashboard.layout` object. Use the `getWidgets` method to return an array of widgets in the `slmetrics.dashboard.layout` object. Apply the `removeWidget` method to the array index containing the widget that you want to remove from the Metrics Dashboard.

Examples

Configure Compliance Metrics

You can use the Metrics Dashboard and metric APIs to obtain compliance and issues metric data on your Model Advisor configuration. To set up your Model Advisor configuration, see “Use the Model Advisor Configuration Editor to Customize the Model Advisor”. You can also use an existing check group such as the MISRA checks. After you have set up your Model Advisor configuration, follow these steps to specify the check groups for which you want to obtain compliance and issues metric data:

Open the default configuration:

```
config = slmetric.config.Configuration.open()
```

Specify a metric family ID that you associate with those check groups:

```
famParamID = 'ModelAdvisorStandard';
```

Create a cell array consisting of the Check Group IDs that correspond to the check groups. Obtain a Check Group ID by opening up the Model Advisor Configuration Editor and selecting the folder that contains the group of checks. The folder contains a **Check Group ID** parameter.

```
values = {'maab', 'hisl_do178', '_SYSTEM_By Task_misra_c'};
```

The previous cell array specifies MAB, High-Integrity, and MISRA check groups. The values `maab` and `hisl_do178` correspond to a subset of MAB and High-Integrity System checks. To include all checks, specify the value for the **Check Group ID** parameter from the Model Advisor Configuration Editor.

To set up the configuration, pass the `values` cell array into the `setMetricFamilyParameterValues` method.

```
setMetricFamilyParameterValues(config, famParamID, values);
```

Point the **High Integrity Compliance** and **High Integrity Check Issues** widgets to the MISRA check group. To begin, open the default configuration for the Metrics Dashboard layout.

```
conf = slmetric.dashboard.Configuration.open();
```

Obtain the `slmetric.dashboard.Layout` object from the `slmetric.dashboard.Configuration` object `conf`.

```
layout = getDashboardLayout(conf);
```

Obtain the widget objects that are in the layout object.

```
layoutWidget = getWidgets(layout);
```

Obtain the compliance group from the layout. This group contains two containers. The first container contains the High Integrity and MAB Compliance and Check Issues widgets. Remove the **High Integrity Compliance** widget.

```
complianceGroup = layoutWidget(3);  
complianceContainers = getWidgets(complianceGroup);  
complianceContainerWidgets = getWidgets(complianceContainers(1));  
complianceContainers(1).removeWidget(complianceContainerWidgets(1));  
setMetricIDs(complianceContainerWidgets(1), ...  
{'mathworks.metrics.ModelAdvisorCompliance._SYSTEM_By Task_misra_c'});  
complianceContainerWidgets(1).Labels={'MISRA'};
```

Add a custom widget for visualizing MISRA check issues metrics to the `complianceContainers` `slmetric.dashboard.Container` object.

```
misraWidget = complianceContainers(1).addWidget('Custom', 1);  
misraWidget.Title = ('MISRA');  
misraWidget.VisualizationType = 'RadialGauge';  
misraWidget.setMetricIDs('mathworks.metrics.ModelAdvisorCheckCompliance._SYSTEM_By Task_misra_c');  
misraWidget.setWidths(slmetric.dashboard.Width.Medium);
```

Save the configuration objects. These commands serialize the API information to XML files.

```
save(config, 'FileName', 'MetricConfig.xml');  
save(conf, 'Filename', 'DashboardConfig.xml');
```

Set the active configurations.

```
slmetric.config.setActiveConfiguration(fullfile(pwd, 'MetricConfig.xml'));  
slmetric.dashboard.setActiveConfiguration(fullfile(pwd, 'DashboardConfig.xml'));
```

For your model, open the Metrics Dashboard.

```
metricsdashboard vdp
```

Click the **All Metrics** button to run all metrics.

See Also

```
slmetric.dashboard.setActiveConfiguration |  
slmetric.dashboard.getActiveConfiguration
```

Topics

“Collect Model Metric Data by Using the Metrics Dashboard”

“Customize Metrics Dashboard Layout and Functionality”

Introduced in R2018b

getSeparators

Class: `slmetric.dashboard.Widget`

Package: `slmetric.dashboard`

Determine whether there are lines on sides of Metrics Dashboard widget

Syntax

```
S=getSeparators(widget)
```

Description

`S=getSeparators(widget)` returns a structure or an array of structures indicating whether there are lines on the sides of an `slmetric.dashboard.Widget` object.

Input Arguments

widget — **Widget for which you want to know whether there are separators**

`slmetric.dashboard.Widget` object

Determine whether there are separators on the sides of an `slmetric.dashboard.Widget` object.

Output Arguments

S — **Structure of four fields**

Structure | Array of Structures

The structure array contains these fields:

- `S.top`
- `S.bottom`
- `S.left`
- `S.right`

Each field is empty or has a value of 1 or 0. An empty field indicates that you did not set a value. A value of 1 indicates that there is a line on that widget side. A value of 0 indicates that there is no line on that widget side.

See Also

`slmetric.dashboard.setActiveConfiguration` |

`slmetric.dashboard.getActiveConfiguration`

Topics

“Collect Model Metric Data by Using the Metrics Dashboard”

“Customize Metrics Dashboard Layout and Functionality”

Introduced in R2018b

getWidths

Class: `slmetric.dashboard.Widget`

Package: `slmetric.dashboard`

Obtain widths of Metrics Dashboard widget

Syntax

```
Widths=getWidths(widgetName)
```

Description

`Widths=getWidths(widgetName)` returns an `slmetric.dashboard.Width` object array consisting of four enumerations. Use the `slmetric.dashboard.Widgets.setWidths` method to set the width sizes. You can set between one and four sizes. If you set just one size, the array contains four of the same enumerations. These are the possible enumeration values:

- `slmetric.dashboard.Width.ExtraSmall`
- `slmetric.dashboard.Width.Small`
- `slmetric.dashboard.Width.Medium`
- `slmetric.dashboard.Width.Large`
- `slmetric.dashboard.Width.XLarge`
- `slmetric.dashboard.Width.XXLarge`

These values correspond to the sizes that a widget can have as the screen size changes. If the widget has one value, the widget always has the same size regardless of the screen size. If the widget has four different values, the widget size can change four times as you maximize and minimize the screen.

Input Arguments

widgetName — Metrics Dashboard widget

`slmetric.dashboard.Widget` object

Widget for which you want to obtain widths.

Data Types: `char`

Output Arguments

Widths — Widget widths

`slmetric.dashboard.Width` enumeration array

`slmetric.dashboard.Width` enumeration array consisting of between one and four of these values:

- `slmetric.dashboard.Width.ExtraSmall`

- `slmetric.dashboard.Width.Small`
- `slmetric.dashboard.Width.Medium`
- `slmetric.dashboard.Width.Large`
- `slmetric.dashboard.Width.XLarge`
- `slmetric.dashboard.Width.XXLarge`

See Also

`slmetric.dashboard.setActiveConfiguration` |
`slmetric.dashboard.getActiveConfiguration`

Topics

“Collect Model Metric Data by Using the Metrics Dashboard”
“Customize Metrics Dashboard Layout and Functionality”

Introduced in R2018b

setSeparators

Class: `slmetric.dashboard.Widget`

Package: `slmetric.dashboard`

Specify lines on Metrics Dashboard widget sides

Syntax

```
setSeparators(S)
```

Description

`setSeparators(S)` specifies whether there are lines on the sides of an `slmetric.dashboard.Widget` object.

Input Arguments

S — Structure of four Boolean values

Structure array

The input is a structure array consisting of these fields:

- `S.top`
- `S.bottom`
- `S.left`
- `S.right`

Each field must be set to 1 or 0. A value of 1 indicates that there is a line on that widget side. A value of 0 indicates that there is no line on that widget side. To indicate that the widget sides are always the same even if the screen size changes, you can pass one structure. Passing four structures indicates that the widget sides can have different separators as the screen width size changes. Use the `setWidths` method to specify up to four different widths.

Data Types: `char`

See Also

`slmetric.dashboard.setActiveConfiguration` |

`slmetric.dashboard.getActiveConfiguration`

Topics

“Collect Model Metric Data by Using the Metrics Dashboard”

“Customize Metrics Dashboard Layout and Functionality”

Introduced in R2018b

setWidths

Class: `slmetric.dashboard.Widget`

Package: `slmetric.dashboard`

Specify multiple widths for Metrics Dashboard widget

Syntax

```
setWidths(widgetName, widths)
```

Description

`setWidths(widgetName, widths)` specifies possible widths that an `slmetric.dashboard.Widget` object can have. You can specify up to four different widths. For the input argument `widths`, pass either one value or an array of four values. You can choose from these possible values:

- `slmetric.dashboard.Width.ExtraSmall`
- `slmetric.dashboard.Width.Small`
- `slmetric.dashboard.Width.Medium`
- `slmetric.dashboard.Width.Large`
- `slmetric.dashboard.Width.XLarge`
- `slmetric.dashboard.Width.XXLarge`

These values correspond to the different sizes that a widget can have as the screen size changes. If you specify one value, the widget always has that value regardless of the screen size. If you specify four different values, the widget size can change four times as you maximize and minimize the screen.

Input Arguments

widgetName — **Widget that is to have between one and four widths**

`slmetric.dashboard.Widget` object

`slmetric.dashboard.Widget` object that is to have between one and four widths

widths — **Width array**

character vector | array of character vectors | string scalar | array of string scalars

Specify one or as many as four of these values:

- `slmetric.dashboard.Width.ExtraSmall`
- `slmetric.dashboard.Width.Small`
- `slmetric.dashboard.Width.Medium`
- `slmetric.dashboard.Width.Large`

- `slmetric.dashboard.Width.XLarge`
- `slmetric.dashboard.Width.XXLarge`

See Also

`slmetric.dashboard.setActiveConfiguration` |
`slmetric.dashboard.getActiveConfiguration`

Topics

“Collect Model Metric Data by Using the Metrics Dashboard”
“Customize Metrics Dashboard Layout and Functionality”

Introduced in R2018b

slmetric.dashboard.getActiveConfiguration

Package: slmetric.dashboard

Obtain file path and name of XML file containing active Metrics Dashboard layout

Syntax

Path = slmetric.dashboard.getActiveConfiguration

Description

Path = slmetric.dashboard.getActiveConfiguration returns the file path and name of the active Metrics Dashboard layout XML file. This file contains information on the location, size, and types of widgets in the Metrics Dashboard.

Examples

Get Default Metrics Dashboard Layout

At the MATLAB command line, enter this command to get the active metric dashboard layout:

```
slmetric.dashboard.getActiveConfiguration();
```

Output Arguments

Path — File path to XML file

character vector | string scalar

Full file path to folder containing XML file that contains the active Metrics Dashboard layout.

Note Passing an empty string to the slmetric.dashboard.setActionConfiguration function (that is, slmetric.dasbboard.setActiveConfiguration('')), resets the configuration to the default, which is the shipping configuration. If you then enter the slmetric.dashboard.getActiveConfiguration method, the method returns an empty array.

Data Types: char

See Also

slmetric.dashboard.setActiveConfiguration | slmetric.dashboard.Configuration

Topics

“Collect and Explore Metric Data by Using the Metrics Dashboard”

“Customize Metrics Dashboard Layout and Functionality”

Introduced in R2018b

slmetric.dashboard.setActiveConfiguration

Package: slmetric.dashboard

Activate custom metric dashboard layout

Syntax

```
slmetric.dashboard.setActiveConfiguration(fullfile)
```

Description

`slmetric.dashboard.setActiveConfiguration(fullfile)` sets a custom Metrics Dashboard layout as the default configuration. When you collect metric data by using the Metrics Dashboard, the metric engine uses this custom layout.

Note Passing an empty string to this function (that is, `slmetric.dashboard.setActiveConfiguration('')`), resets the configuration to the default, shipping configuration.

Examples

Activate Custom Configuration

At the MATLAB command line, enter this command to set the active metric configuration:

```
slmetric.config.setActiveConfiguration('C:\temp\MyConfig.xml');
```

Input Arguments

fullfile — File path to XML file

character vector | string scalar

Full file path to folder containing XML file that contains Metrics Dashboard custom configurations.

Example: 'C:\temp\MyConfig.xml'

Data Types: char

See Also

`slmetric.config.Configuration` | `slmetric.config.getActiveConfiguration`

External Websites

“Collect and Explore Metric Data by Using the Metrics Dashboard”

“Customize Metrics Dashboard Layout and Functionality”

Introduced in R2018b

setMargin

Class: `slmetric.dashboard.Container`

Package: `slmetric.dashboard`

Specify distance from container edge to its contents

Syntax

```
pixels = setMargin(Container,px)
```

Description

`pixels = setMargin(Container,px)` specifies how far in pixels the edges of an `slmetric.dashboard.Container` object is from the widgets that it contains.

Input Arguments

Container — Metrics Dashboard container

`slmetric.dashboard.Container` object

The `slmetric.dashboard.Container` object for which you are specifying margin size in pixels.

Data Types: char

px — Container margins

character vector | string scalar

Margin distance from container contents in pixels.

Example: '40 px'

Data Types: char

See Also

`slmetric.dashboard.setActiveConfiguration` |

`slmetric.dashboard.getActiveConfiguration`

Topics

“Collect Model Metric Data by Using the Metrics Dashboard”

“Customize Metrics Dashboard Layout and Functionality”

Introduced in R2018b

setMetricIDs

Class: `slmetric.dashboard.CustomWidget`

Package: `slmetric.dashboard`

Set metric identifier for custom Metrics Dashboard widget

Syntax

```
setMetricIDs(CustomWidget, metricID)
```

Description

`setMetricIDs(CustomWidget, metricID)` assigns a metric identifier to an `slmetric.dashboard.CustomWidget` object.

Input Arguments

CustomWidget — Custom widget object

`slmetric.dashboard.CustomWidget` object

`slmetric.dashboard.CustomWidget` object for which you want to assign a metric identifier. The `slmetric.dashboard.CustomWidget` object is the means of visualizing metric data for the metric identifier.

Data Types: `char`

metricID — Metric identifier

`character vector` `string` `scalar`

Metric identifier associated with an `slmetric.dashboard.CustomWidget` object.

Examples

Add a Custom Widget to a Group

Create a custom metric that counts nonvirtual blocks. Specify a widget to display this metric on the Metrics Dashboard. Add it to the Size Group.

Create a custom metric class.

```
className = 'nonvirtualblockcount';
slmetric.metric.createNewMetricClass(className);
```

Create the nonvirtual block count metric by adding this code to the `nonvirtualblockcount.m` file.

```
classdef nonvirtualblockcount < slmetric.metric.Metric
    %nonvirtualblockcount calculates number of nonvirtual blocks per level.
    % BusCreator, BusSelector and BusAssign are treated as nonvirtual.
    properties
        VirtualBlockTypes = {'Demux', 'From', 'Goto', 'Ground', ...
```

```

        'GotoTagVisiblity', 'Mux', 'SignalSpecification', ...
        'Terminator', 'Inport'};
end

methods
function this = nonvirtualblockcount()
    this.ID = 'nonvirtualblockcount';
    this.Name = 'Nonvirtual Block Count';
    this.Version = 1;
    this.CompileContext = 'None';
    this.Description = 'Algorithm that counts nonvirtual blocks per level.';
    this.AggregatedValueName = 'Nonvirtual Blocks (incl. Descendants)';
    this.ValueName = 'Nonvirtual Blocks';
    this.ComponentScope = [Advisor.component.Types.Model, ...
        Advisor.component.Types.SubSystem];
    this.AggregationMode = slmetric.AggregationMode.Sum;
    this.ResultChecksumCoverage = true;
    this.SupportsResultDetails = true;

end

function res = algorithm(this, component)
    % create a result object for this component
    res = slmetric.metric.Result();

    % set the component and metric ID
    res.ComponentID = component.ID;
    res.MetricID = this.ID;

    % Practice
    D1=slmetric.metric.ResultDetail('identifier 1','Name 1');
    D1.Value=0;
    D1.setGroup('Group1','Group1Name');
    D2=slmetric.metric.ResultDetail('identifier 2','Name 2');
    D2.Value=1;
    D2.setGroup('Group1','Group1Name');

    % use find_system to get all blocks inside this component
    blocks = find_system(getPath(component), ...
        'SearchDepth', 1, ...
        'Type', 'Block');

    isNonVirtual = true(size(blocks));

    for n=1:length(blocks)
        blockType = get_param(blocks{n}, 'BlockType');

        if any(strcmp(this.VirtualBlockTypes, blockType))
            isNonVirtual(n) = false;
        else
            switch blockType
                case 'SubSystem'
                    % Virtual unless the block is conditionally executed
                    % or the Treat as atomic unit check box is selected.
                    if strcmp(get_param(blocks{n}, 'IsSubSystemVirtual'), ...
                        'on')

```

```

        isNonVirtual(n) = false;
    end
    case 'Outport'
        % Outport: Virtual when the block resides within
        % SubSystem block (conditional or not), and
        % does not reside in the root (top-level) Simulink window.
        if component.Type ~= Advisor.component.Types.Model
            isNonVirtual(n) = false;
        end
    case 'Selector'
        % Virtual only when Number of input dimensions
        % specifies 1 and Index Option specifies Select
        % all, Index vector (dialog), or Starting index (dialog).
        nod = get_param(blocks{n}, 'NumberOfDimensions');
        ios = get_param(blocks{n}, 'IndexOptionArray');

        ios_settings = {'Assign all', 'Index vector (dialog)', ...
            'Starting index (dialog)'};

        if nod == 1 && any(strcmp(ios_settings, ios))
            isNonVirtual(n) = false;
        end
    case 'Trigger'
        % Virtual when the output port is not present.
        if strcmp(get_param(blocks{n}, 'ShowOutputPort'), 'off')
            isNonVirtual(n) = false;
        end
    case 'Enable'
        % Virtual unless connected directly to an Outport block.
        isNonVirtual(n) = false;

        if strcmp(get_param(blocks{n}, 'ShowOutputPort'), 'on')
            pc = get_param(blocks{n}, 'PortConnectivity');

            if ~isempty(pc.DstBlock) && ...
                strcmp(get_param(pc.DstBlock, 'BlockType'), ...
                    'Outport')
                isNonVirtual(n) = true;
            end
        end
    end
end
end
end
end

blocks = blocks(isNonVirtual);

res.Value = length(blocks);
end
end
end

```

Register the new metric in the metric repository.

```
[id_metric,err_msg] = slmetric.metric.registerMetric(className);
```

To begin, open the default configuration for the Metrics Dashboard layout.

```
conf = slmetric.dashboard.Configuration.open();
```

Obtain the `slmetric.dashboard.Layout` object from the `slmetric.dashboard.Configuration` object.

```
layout = getDashboardLayout(conf);
```

Obtain widget objects that are in the layout object.

```
layoutWidget = getWidgets(layout);
```

Remove the widget that represents the Simulink block count metric.

```
sizeGroup = layoutWidget(2);  
sizeGroupWidgets = sizeGroup.getWidgets();  
sizeGroup.removeWidget(sizeGroupWidgets(1));
```

Add a widget that displays the nonvirtual block count metric. For custom widgets, the default visualization type is single value. If you want to use a different visualization technique, specify a different value for the `VisualizationType` property.

```
newWidget = sizeGroup.addWidget('Custom', 1);  
newWidget.Title = ('Nonvirtual Block Count');  
newWidget.setMetricIDs('nonvirtualblockcount');  
newWidget.setWidths(slmetric.dashboard.Width.Medium);  
newWidget.setHeight(70);
```

Specify whether there are lines separating the custom widget from other widgets in the group. These commands specify that there is a line to the right of the widget.

```
s.top = false;  
s.bottom = false;  
s.left = false;  
s.right = true;  
newWidget.setSeparators([s, s, s, s]);
```

Save the configuration object. This command serializes the API information to an XML file.

```
save(conf, 'Filename', 'DashboardConfig.xml');
```

Set the active configuration.

```
slmetric.dashboard.setActiveConfiguration(fullfile(pwd, 'DashboardConfig.xml'));
```

For a model, open the Metrics Dashboard.

```
metricsdashboard vdp
```

Click the **All Metrics** button to run all metrics.

See Also

`slmetric.dashboard.setActiveConfiguration` |
`slmetric.dashboard.getActiveConfiguration`

Topics

“Collect Model Metric Data by Using the Metrics Dashboard”
“Customize Metrics Dashboard Layout and Functionality”

Introduced in R2018b

getMetricIDs

Class: `slmetric.dashboard.Widget`

Package: `slmetric.dashboard`

Obtain metric identifier for Metrics Dashboard widget

Syntax

```
metricID = getMetricIDs(widget)
```

Description

`metricID = getMetricIDs(widget)` returns the metric identifier for an `slmetric.dashboard.Widget` object.

Input Arguments

widget — Widget object

`slmetric.dashboard.Widget` object

`slmetric.dashboard.Widget` object for which you want to obtain the associated metric identifier. The `slmetric.dashboard.Widget` object is the means of visualizing metric data for the metric identifier.

Data Types: `char`

Output Arguments

metricID — Metric identifier

`character vector` `string` `scalar`

Metric identifier associated with an `slmetric.dashboard.Widget` object.

See Also

`slmetric.dashboard.setActiveConfiguration` |

`slmetric.dashboard.getActiveConfiguration`

Topics

“Collect Model Metric Data by Using the Metrics Dashboard”

“Customize Metrics Dashboard Layout and Functionality”

Introduced in R2018b

getMetricFamilyParameterValues

Class: `slmetric.config.Configuration`

Package: `slmetric.config`

Obtain metric family Check Group IDs

Syntax

```
ArraysValue = getMetricFamilyParameterValues(config,...  
'ModelAdvisorStandard')
```

Description

For an `slmetric.config.Configuration` object, use the `ArraysValue = getMetricFamilyParameterValues(config,... 'ModelAdvisorStandard')` method to obtain the metric family parameter values. These values are the Check Group IDs corresponding to the check groups for which you obtain compliance and issues metric data. Compliance metric data is the percentage of passed checks. Issues metric data is the number of check issues.

Input Arguments

config — Configuration object

`slmetric.config.Configuration` object

`slmetric.config.Configuration` object for which to obtain checks groups that have compliance and issues metric data.

'ModelAdvisorStandard' — Required string

character vector | string scalar

String that you must supply as an input.

Output Arguments

ValuesArray — Metric family parameter values

cell array of character vectors | cell array of string scalars

Cell array of metric family parameter values. For an `slmetric.config.Configuration` object, these values are the check groups for obtaining compliance and issues metric data.

Examples

Obtain Compliance and Issues Data for Groups of Model Advisor Checks

Obtain compliance and issues metric data on the Modeling Standards for MISRA C:2012, MAB, and High-Integrity Systems check groups.

Open the default configuration.

```
config = slmetric.config.Configuration.open();
```

Specify the metric family parameter ID, `famParamID`, and the metric family parameter values, `values`. The values `maab` and `hisl_do178` correspond to subsets of MAAB checks and High-Integrity System checks. The MISRA value `_SYSTEM_By Task_misra_c` is the **Check Group ID** for the MISRA check group Modeling Standards for MISRA C:2012.

```
famParamID = 'ModelAdvisorStandard';  
values = {'maab', 'hisl_do178', '_SYSTEM_By Task_misra_c'};  
setMetricFamilyParameterValues(config, famParamID, values);
```

To obtain the Model Advisor **Check Group ID** for a group of checks, open the Model Advisor Configuration Editor and select the desired folder of checks. The **Check Group ID** is shown in the **Information** tab. For more information on the Model Advisor Configuration Editor, see “Use the Model Advisor Configuration Editor to Customize the Model Advisor”.

Check the metric family parameter values associated with the `slmetric.config.Configuration` object.

```
ValuesArray = getMetricFamilyParameterValues(config, famParamID);
```

This code is for the `ValuesArray` cell array:

```
ValuesArray =  
  
    3×1 cell array  
  
    {'_SYSTEM_By Task_misra_c'}  
    {'hisl_do178'}  
    {'maab'}
```

Save the new configuration.

```
config.save('FileName', 'MetricConfig.xml');
```

Set the active Metrics Dashboard configuration.

```
slmetric.config.setActiveConfiguration(fullfile(pwd, 'MetricConfig.xml'));
```

For more information, see “Customize Metrics Dashboard Layout and Functionality”.

See Also

`slmetric.config.getActiveConfiguration` | `slmetric.config.setActiveConfiguration`
| `slmetric.config.Configuration`

Topics

“Collect and Explore Metric Data by Using the Metrics Dashboard”

“Customize Metrics Dashboard Layout and Functionality”

Introduced in R2018b

isMetricFamilyParameterParameterized

Class: `slmetric.config.Configuration`

Package: `slmetric.config`

Determine whether Metrics Dashboard configuration object has metric family parameter values

Syntax

```
ParameterizedConfig = isMetricFamilyParameterParameterized(config,...
'ModelAdvisorStandard')
```

Description

For an `slmetric.config.Configuration` object, use the `ParameterizedConfig = isMetricFamilyParameterParameterized(config,... 'ModelAdvisorStandard')` method to determine whether an `slmetric.config.Configuration` object contains metric family parameter values. These values are the Check Group IDs corresponding to the check groups for which you obtain compliance and issues metric data. Compliance metric data is the percentage of passed checks. Issues metric data is the number of check issues.

Input Arguments

config — Configuration object

`slmetric.config.Configuration` object

`slmetric.config.Configuration` object for which to obtain checks groups that have compliance and issues metric data.

'ModelAdvisorStandard' — Required string

character vector | string scalar

Standard string that you must supply as an input.

Output Arguments

ParameterizedConfig — Determine whether Metrics Dashboard configuration object has metric family parameter values

boolean

Determine whether a Metrics Dashboard configuration object has metric family parameter values.

Data Types: Logical

Examples

Obtain Compliance and Issues Data for Groups of Model Advisor Checks

Obtain compliance and issues metric data on the Modeling Standards for MISRA C:2012, MAB, and High-Integrity Systems check groups.

Open the default configuration.

```
config = slmetric.config.Configuration.open();
```

Specify the metric family parameter ID, famParamID, and the metric family parameter values, values. The values maab and hisl_do178 correspond to subsets of MAAB checks and High-Integrity System checks. The MISRA value _SYSTEM_By Task_misra_c is the **Check Group ID** for the MISRA check group Modeling Standards for MISRA C:2012.

```
famParamID = 'ModelAdvisorStandard';  
values = {'maab', 'hisl_do178', '_SYSTEM_By Task_misra_c'};  
setMetricFamilyParameterValues(config, famParamID, values);
```

To obtain the Model Advisor **Check Group ID** for a group of checks, open the Model Advisor Configuration Editor and select the desired folder of checks. The **Check Group ID** is shown in the **Information** tab. For more information on the Model Advisor Configuration Editor, see “Use the Model Advisor Configuration Editor to Customize the Model Advisor”.

Check that the slmetric.config.Configuration object has metric family parameter values.

```
PC = isMetricFamilyParameterParameterized(config, famParamID);
```

```
PC =
```

```
logical
```

```
1
```

Save the new configuration.

```
config.save('FileName', 'MetricConfig.xml');
```

Set the active Metrics Dashboard configuration.

```
slmetric.config.setActiveConfiguration(fullfile(pwd, 'MetricConfig.xml'));
```

For more information, see “Customize Metrics Dashboard Layout and Functionality”.

See Also

slmetric.config.getActiveConfiguration | slmetric.config.setActiveConfiguration | slmetric.config.Configuration

Topics

“Collect and Explore Metric Data by Using the Metrics Dashboard”

“Customize Metrics Dashboard Layout and Functionality”

Introduced in R2018b

resetMetricFamilyParameterValues

Class: `slmetric.config.Configuration`

Package: `slmetric.config`

Clear metric family parameter values

Syntax

```
resetMetricFamilyParameterValues(config,... 'ModelAdvisorStandard')
```

Description

For an `slmetric.config.Configuration` object, use the `resetMetricFamilyParameterValues(config,... 'ModelAdvisorStandard')` method to clear the metric family parameter values. These values are the Check Group IDs corresponding to the check groups for which you obtain compliance and issues metric data. Compliance metric data is the percentage of passed checks. Issues metric data is the number of check issues.

Input Arguments

config — Configuration object

`slmetric.config.Configuration` object

`slmetric.config.Configuration` object for which to clear the metric family parameter values.

'ModelAdvisorStandard' — Required string

character vector | string scalar

Standard string that you must supply as an input.

Examples

Reset Metric Family Parameter Values

Obtain compliance and issues metric data on the Modeling Standards for MISRA C:2012, MAB, and High-Integrity Systems check groups.

Open the default configuration.

```
config = slmetric.config.Configuration.open();
```

Specify the metric family parameter ID, `famParamID`, and the metric family parameter values, `values`. The values `maab` and `hisl_do178` correspond to subsets of MAAB checks and High-Integrity System checks. The MISRA value `_SYSTEM_By Task_misra_c` is the **Check Group ID** for the MISRA check group Modeling Standards for MISRA C:2012.

```
famParamID = 'ModelAdvisorStandard';
values = {'maab', 'hisl_do178', '_SYSTEM_By Task_misra_c'};
setMetricFamilyParameterValues(config, famParamID, values);
```

To obtain the Model Advisor **Check Group ID** for a group of checks, open the Model Advisor Configuration Editor and select the desired folder of checks. The **Check Group ID** is shown in the **Information** tab. For more information on the Model Advisor Configuration Editor, see “Use the Model Advisor Configuration Editor to Customize the Model Advisor”.

Check the metric family parameter values associated with the `slmetric.config.Configuration` object.

```
ValuesArray = getMetricFamilyParameterValues(config, famParamID);
```

This code is for the `ValuesArray` cell array:

```
ValuesArray =  
  
    3×1 cell array  
  
    {'_SYSTEM_By Task_misra_c'}  
    {'hisl_dol78'}  
    {'maab'}
```

Reset the values.

```
resetMetricFamilyParameterValues(config, famParamID)
```

Check that the `slmetric.config.Configuration` object does have associated metric family parameter values.

```
ValuesArray = getMetricFamilyParameterValues(config, famParamID);
```

For more information, see “Customize Metrics Dashboard Layout and Functionality”.

See Also

`slmetric.config.getActiveConfiguration` | `slmetric.config.setActiveConfiguration`
| `slmetric.config.Configuration`

Topics

“Collect and Explore Metric Data by Using the Metrics Dashboard”

“Customize Metrics Dashboard Layout and Functionality”

Introduced in R2018b

setMetricFamilyParameterValues

Class: `slmetric.config.Configuration`

Package: `slmetric.config`

Obtain compliance and issues metric data on your Model Advisor configuration

Syntax

```
setMetricFamilyParameterValues(config,... 'ModelAdvisorStandard', values)
```

Description

Use the Model Advisor Configuration Editor to create groups of Model Advisor checks or use a shipped check group. Then, use the `setMetricFamilyParameterValues(config,... 'ModelAdvisorStandard', values)` method to obtain compliance and issues data for this group and any other groups that you specify as part of the `values` input. Compliance data is the percentage of passed checks. Issues data is the number of check issues. The `values` input sets the groups that are members of the family that you associate with a particular `slmetric.config.Configuration` object.

Input Arguments

config — Configuration object

`slmetric.config.Configuration` object

`slmetric.config.Configuration` object to add check groups for which to obtain compliance and issues data.

'ModelAdvisorStandard' — Required string

character vector | string scalar

Standard string that you must supply as an input.

values — Cell array of Check Group IDs

cell array of character vectors | cell array of string scalars

Specify Check Group IDs for each group of Model Advisor checks for which to obtain compliance and issues metric data. Obtain the Check Group IDs by opening up the Model Advisor Configuration Editor and selecting the folder that contains the group of checks. The **Check Group ID** parameter is in the folder.

Examples

Obtain Compliance and Issues Data for Groups of Model Advisor Checks

Obtain compliance and issues data on the Modeling Standards for MISRA C:2012, MAB, and High-Integrity Systems check groups.

Open the default configuration.

```
config = slmetric.config.Configuration.open();
```

Specify the metric family parameter ID, famParamID, and the metric family parameter values, values. The values maab and hisl_do178 correspond to subsets of MAAB checks and High-Integrity System checks. The MISRA value _SYSTEM_By Task_misra_c is the **Check Group ID** for the MISRA check group Modeling Standards for MISRA C:2012.

```
famParamID = 'ModelAdvisorStandard';  
values = {'maab', 'hisl_do178', '_SYSTEM_By Task_misra_c'};  
setMetricFamilyParameterValues(config, famParamID, values);
```

To obtain the Model Advisor **Check Group ID** for a group of checks, open the Model Advisor Configuration Editor and select the desired folder of checks. The **Check Group ID** is shown in the **Information** tab. For more information on the Model Advisor Configuration Editor, see “Use the Model Advisor Configuration Editor to Customize the Model Advisor”.

Save the new configuration.

```
config.save('FileName', 'MetricConfig.xml');
```

Set the active Metrics Dashboard configuration.

```
slmetric.config.setActiveConfiguration(fullfile(pwd, 'MetricConfig.xml'));
```

For more information, see “Customize Metrics Dashboard Layout and Functionality”.

See Also

slmetric.config.Configuration | slmetric.config.getActiveConfiguration |
slmetric.config.setActiveConfiguration

Topics

“Collect and Explore Metric Data by Using the Metrics Dashboard”

“Customize Metrics Dashboard Layout and Functionality”

Introduced in R2018b

getMargin

Class: `slmetric.dashboard.Container`

Package: `slmetric.dashboard`

Obtain distance from container edge to its contents

Syntax

```
pixels = getMargin(Container)
```

Description

`pixels = getMargin(Container)` returns how far in pixels the edges of an `slmetric.dashboard.Container` object is from the widgets that it contains.

Input Arguments

Container — Metrics Dashboard container

`slmetric.dashboard.Container` object

The `slmetric.dashboard.Container` object for which you are obtaining the margin distance.

Output Arguments

pixels — Container margins

character vector | string scalar

Margin distance from container contents in pixels.

Example: '40 px'

Data Types: char

See Also

`slmetric.dashboard.setActiveConfiguration` |
`slmetric.dashboard.getActiveConfiguration`

Topics

“Collect Model Metric Data by Using the Metrics Dashboard”

“Customize Metrics Dashboard Layout and Functionality”

Introduced in R2018b

getPosition

Class: `slmetric.dashboard.Container`

Package: `slmetric.dashboard`

Obtain container position within Metrics Dashboard

Syntax

```
Num = getPosition(Container)
```

Description

`Num = getPosition(Container)` returns the position of an `slmetric.dashboard.Container` object in an array that holds Metrics Dashboard objects. These objects are in an `slmetric.dashboard.Layout`, an `slmetric.dashboard.Container`, or an `slmetric.dashboard.Group` object. The order of containers in the array corresponds to proceeding from left to right, and then down in the Metrics Dashboard.

Input Arguments

Container — Metrics Dashboard container

`slmetric.dashboard.Container` object

Specify the `slmetric.dashboard.Container` object for which you get its position in the array.

Output Arguments

Num — Position of container object

`double`

Position of `slmetric.dashboard.Container` object within an array that holds the Metrics Dashboard objects in an `slmetric.dashboard.Layout`, an `slmetric.dashboard.Container`, or an `slmetric.dashboard.Group` object.

Data Types: `double`

See Also

`slmetric.dashboard.setActiveConfiguration` |
`slmetric.dashboard.getActiveConfiguration`

Topics

“Collect Model Metric Data by Using the Metrics Dashboard”
“Customize Metrics Dashboard Layout and Functionality”

Introduced in R2018b

setPosition

Class: `slmetric.dashboard.Container`

Package: `slmetric.dashboard`

Set container position within Metrics Dashboard

Syntax

```
setPosition(Container, num)
```

Description

`setPosition(Container, num)` sets the position of an `slmetric.dashboard.Container` object in an array that holds Metrics Dashboard objects. This array contains the Metrics Dashboard objects in an `slmetric.dashboard.Layout`, an `slmetric.dashboard.Container`, or an `slmetric.dashboard.Group` object. The order of containers in the array corresponds to proceeding from left to right, and then down in the Metrics Dashboard.

Input Arguments

Container — Metrics Dashboard container

`slmetric.dashboard.Container` object

Specify the `slmetric.dashboard.Container` object for which you set its position in the array.

Output Arguments

Num — Position of container object

double

Position of `slmetric.dashboard.Container` object within an array that holds the Metrics Dashboard objects in either an `slmetric.dashboard.Layout`, an `slmetric.dashboard.Container`, or an `slmetric.dashboard.Group` object.

Data Types: double

See Also

`slmetric.dashboard.setActiveConfiguration` |
`slmetric.dashboard.getActiveConfiguration`

Topics

“Collect Model Metric Data by Using the Metrics Dashboard”
“Customize Metrics Dashboard Layout and Functionality”

Introduced in R2018b

getHeight

Class: `slmetric.dashboard.CustomWidget`

Package: `slmetric.dashboard`

Obtain height of Metrics Dashboard custom widget

Syntax

```
Height = getHeight(CustomWidget)
```

Description

`Height = getHeight(CustomWidget)` returns the height of a custom widget in pixels.

Input Arguments

CustomWidget — Metrics Dashboard custom widget

`slmetric.dashboard.CustomWidget` object

`slmetric.dashboard.CustomWidget` for which you want to obtain its height.

Output Arguments

num — Height in pixels

integer

Height of `slmetric.dashboard.CustomWidget` object in pixels.

Example: `Height = getHeight(CustomWidget)`

Data Types: `uint32`

Examples

Add a Custom Widget to a Group

Create a custom metric that counts nonvirtual blocks. Specify a widget to display this metric on the Metrics Dashboard. Add it to the Size Group.

Create a custom metric class.

```
className = 'nonvirtualblockcount';  
slmetric.metric.createNewMetricClass(className);
```

Create the nonvirtual block count metric by adding this code to the `nonvirtualblockcount.m` file.

```
classdef nonvirtualblockcount < slmetric.metric.Metric  
    %nonvirtualblockcount calculates number of nonvirtual blocks per level.  
    % BusCreator, BusSelector and BusAssign are treated as nonvirtual.
```

```

properties
    VirtualBlockTypes = {'Demux','From','Goto','Ground', ...
        'GotoTagVisibility','Mux','SignalSpecification', ...
        'Terminator','Inport'};
end

methods
function this = nonvirtualblockcount()
    this.ID = 'nonvirtualblockcount';
    this.Name = 'Nonvirtual Block Count';
    this.Version = 1;
    this.CompileContext = 'None';
    this.Description = 'Algorithm that counts nonvirtual blocks per level.';
    this.AggregatedValueName = 'Nonvirtual Blocks (incl. Descendants)'
    this.ValueName = 'Nonvirtual Blocks'
    this.ComponentScope = [Advisor.component.Types.Model, ...
        Advisor.component.Types.SubSystem];
    this.AggregationMode = slmetric.AggregationMode.Sum;
    this.ResultChecksumCoverage = true;
    this.SupportsResultDetails = true;
end

function res = algorithm(this, component)
    % create a result object for this component
    res = slmetric.metric.Result();

    % set the component and metric ID
    res.ComponentID = component.ID;
    res.MetricID = this.ID;

    % Practice
    D1=slmetric.metric.ResultDetail('identifier 1','Name 1');
    D1.Value=0;
    D1.setGroup('Group1','Group1Name');
    D2=slmetric.metric.ResultDetail('identifier 2','Name 2');
    D2.Value=1;
    D2.setGroup('Group1','Group1Name');

    % use find_system to get all blocks inside this component
    blocks = find_system(getPath(component), ...
        'SearchDepth', 1, ...
        'Type', 'Block');

    isNonVirtual = true(size(blocks));

    for n=1:length(blocks)
        blockType = get_param(blocks{n}, 'BlockType');

        if any(strcmp(this.VirtualBlockTypes, blockType))
            isNonVirtual(n) = false;
        else
            switch blockType
                case 'SubSystem'
                    % Virtual unless the block is conditionally executed
                    % or the Treat as atomic unit check box is selected.

```

```

        if strcmp(get_param(blocks{n}, 'IsSubSystemVirtual'), ...
            'on')
            isNonVirtual(n) = false;
        end
    case 'Outport'
        % Outport: Virtual when the block resides within
        % SubSystem block (conditional or not), and
        % does not reside in the root (top-level) Simulink window.
        if component.Type ~= Advisor.component.Types.Model
            isNonVirtual(n) = false;
        end
    case 'Selector'
        % Virtual only when Number of input dimensions
        % specifies 1 and Index Option specifies Select
        % all, Index vector (dialog), or Starting index (dialog).
        nod = get_param(blocks{n}, 'NumberOfDimensions');
        ios = get_param(blocks{n}, 'IndexOptionArray');

        ios_settings = {'Assign all', 'Index vector (dialog)', ...
            'Starting index (dialog)'};

        if nod == 1 && any(strcmp(ios_settings, ios))
            isNonVirtual(n) = false;
        end
    case 'Trigger'
        % Virtual when the output port is not present.
        if strcmp(get_param(blocks{n}, 'ShowOutputPort'), 'off')
            isNonVirtual(n) = false;
        end
    case 'Enable'
        % Virtual unless connected directly to an Outport block.
        isNonVirtual(n) = false;

        if strcmp(get_param(blocks{n}, 'ShowOutputPort'), 'on')
            pc = get_param(blocks{n}, 'PortConnectivity');

            if ~isempty(pc.DstBlock) && ...
                strcmp(get_param(pc.DstBlock, 'BlockType'), ...
                    'Outport')
                isNonVirtual(n) = true;
            end
        end
    end
end
end
end

blocks = blocks(isNonVirtual);

res.Value = length(blocks);
end
end
end

```

Register the new metric in the metric repository.

```
[id_metric,err_msg] = slmetric.metric.registerMetric(className);
```

To begin, open the default configuration for the Metrics Dashboard layout.


```
conf = slmetric.dashboard.Configuration.open();
```

Obtain the `slmetric.dashboard.Layout` object from the `slmetric.dashboard.Configuration` object.

```
layout = getDashboardLayout(conf);
```

Obtain widget objects that are in the layout object.

```
layoutWidget = getWidgets(layout);
```

Remove the widget that represents the Simulink block count metric.

```
sizeGroup = layoutWidget(2);
sizeGroupWidgets = sizeGroup.getWidgets();
sizeGroup.removeWidget(sizeGroupWidgets(1));
```

Add a widget that displays the nonvirtual block count metric. For custom widgets, the default visualization type is single value. If you want to use a different visualization technique, specify a different value for the `VisualizationType` property.

```
newWidget = sizeGroup.addWidget('Custom', 1);
newWidget.Title = ('Nonvirtual Block Count');
newWidget.setMetricIDs('nonvirtualblockcount');
newWidget.setWidths(slmetric.dashboard.Width.Medium);
newWidget.setHeight(70);
```

Specify whether there are lines separating the custom widget from other widgets in the group. These commands specify that there is a line to the right of the widget.

```
s.top = false;
s.bottom = false;
s.left = false;
s.right = true;
newWidget.setSeparators([s, s, s, s]);
```

Save the configuration object. This command serializes the API information to an XML file.

```
save(conf, 'Filename', 'DashboardConfig.xml');
```

Set the active configuration.

```
slmetric.dashboard.setActiveConfiguration(fullfile(pwd, 'DashboardConfig.xml'));
```

For your model, open the Metrics Dashboard.

```
metricsdashboard vdp
```

Click the **All Metrics** button to run all metrics.

See Also

`slmetric.dashboard.setActiveConfiguration` |
`slmetric.dashboard.getActiveConfiguration`

Topics

“Collect Model Metric Data by Using the Metrics Dashboard”
 “Customize Metrics Dashboard Layout and Functionality”

Introduced in R2018b

getMetricIDs

Class: `slmetric.dashboard.CustomWidget`

Package: `slmetric.dashboard`

Obtain metric identifier for custom Metrics Dashboard widget

Syntax

```
metricID = getMetricIDs(CustomWidget)
```

Description

`metricID = getMetricIDs(CustomWidget)` returns the metric identifier for an `slmetric.dashboard.CustomWidget` object.

Input Arguments

CustomWidget — Custom widget object

`slmetric.dashboard.CustomWidget` object

`slmetric.dashboard.CustomWidget` object for which you want to obtain the associated metric identifier. The `slmetric.dashboard.CustomWidget` object is the means of visualizing metric data for the metric identifier.

Data Types: `char`

Output Arguments

metricID — Metric identifier

`character vector` `string` `scalar`

Metric identifier associated with an `slmetric.dashboard.CustomWidget` object.

Examples

Add a Custom Widget to a Group

Create a custom metric that counts nonvirtual blocks. Specify a widget to display this metric on the Metrics Dashboard. Add it to the Size Group.

Create a custom metric class.

```
className = 'nonvirtualblockcount';
slmetric.metric.createNewMetricClass(className);
```

Create the nonvirtual block count metric by adding this code to the `nonvirtualblockcount.m` file.

```
classdef nonvirtualblockcount < slmetric.metric.Metric
    %nonvirtualblockcount calculates number of nonvirtual blocks per level.
```

```

% BusCreator, BusSelector and BusAssign are treated as nonvirtual.
properties
    VirtualBlockTypes = {'Demux','From','Goto','Ground', ...
        'GotoTagVisibility','Mux','SignalSpecification', ...
        'Terminator','Inport'};
end

methods
function this = nonvirtualblockcount()
    this.ID = 'nonvirtualblockcount';
    this.Name = 'Nonvirtual Block Count';
    this.Version = 1;
    this.CompileContext = 'None';
    this.Description = 'Algorithm that counts nonvirtual blocks per level.';
    this.AggregatedValueName = 'Nonvirtual Blocks (incl. Descendants)'
    this.ValueName = 'Nonvirtual Blocks'
    this.ComponentScope = [Advisor.component.Types.Model, ...
        Advisor.component.Types.SubSystem];
    this.AggregationMode = slmetric.AggregationMode.Sum;
    this.ResultChecksumCoverage = true;
    this.SupportsResultDetails = true;

end

function res = algorithm(this, component)
    % create a result object for this component
    res = slmetric.metric.Result();

    % set the component and metric ID
    res.ComponentID = component.ID;
    res.MetricID = this.ID;

    % Practice
    D1=slmetric.metric.ResultDetail('identifier 1','Name 1');
    D1.Value=0;
    D1.setGroup('Group1','Group1Name');
    D2=slmetric.metric.ResultDetail('identifier 2','Name 2');
    D2.Value=1;
    D2.setGroup('Group1','Group1Name');

    % use find_system to get blocks inside this component
    blocks = find_system(getPath(component), ...
        'SearchDepth', 1, ...
        'Type', 'Block');

    isNonVirtual = true(size(blocks));

    for n=1:length(blocks)
        blockType = get_param(blocks{n}, 'BlockType');

        if any(strcmp(this.VirtualBlockTypes, blockType))
            isNonVirtual(n) = false;
        else
            switch blockType
                case 'SubSystem'
                    % Virtual unless the block is conditionally executed

```

```

        % or the Treat as atomic unit check box is selected.
        if strcmp(get_param(blocks{n}, 'IsSubSystemVirtual'), ...
            'on')
            isNonVirtual(n) = false;
        end
    case 'Outport'
        % Outport: Virtual when the block resides within
        % SubSystem block (conditional or not), and
        % does not reside in the root (top-level) Simulink window.
        if component.Type ~= Advisor.component.Types.Model
            isNonVirtual(n) = false;
        end
    case 'Selector'
        % Virtual only when Number of input dimensions
        % specifies 1 and Index Option specifies Select
        % all, Index vector (dialog), or Starting index (dialog).
        nod = get_param(blocks{n}, 'NumberOfDimensions');
        ios = get_param(blocks{n}, 'IndexOptionArray');

        ios_settings = {'Assign all', 'Index vector (dialog)', ...
            'Starting index (dialog)'};

        if nod == 1 && any(strcmp(ios_settings, ios))
            isNonVirtual(n) = false;
        end
    case 'Trigger'
        % Virtual when the output port is not present.
        if strcmp(get_param(blocks{n}, 'ShowOutputPort'), 'off')
            isNonVirtual(n) = false;
        end
    case 'Enable'
        % Virtual unless connected directly to an Outport block.
        isNonVirtual(n) = false;

        if strcmp(get_param(blocks{n}, 'ShowOutputPort'), 'on')
            pc = get_param(blocks{n}, 'PortConnectivity');

            if ~isempty(pc.DstBlock) && ...
                strcmp(get_param(pc.DstBlock, 'BlockType'), ...
                    'Outport')
                isNonVirtual(n) = true;
            end
        end
    end
end
end
end
end

blocks = blocks(isNonVirtual);

res.Value = length(blocks);
end
end
end

```

Register the new metric in the metric repository.

```
[id_metric,err_msg] = slmetric.metric.registerMetric(className);
```

To begin, open the default configuration for the Metrics Dashboard layout.

```
conf = slmetric.dashboard.Configuration.open();
```

Obtain the `slmetric.dashboard.Layout` object from the `slmetric.dashboard.Configuration` object.

```
layout = getDashboardLayout(conf);
```

Obtain widget objects that are in the layout object.

```
layoutWidget = getWidgets(layout);
```

Remove the widget that represents the Simulink block count metric.

```
sizeGroup = layoutWidget(2);  
sizeGroupWidgets = sizeGroup.getWidgets();  
sizeGroup.removeWidget(sizeGroupWidgets(1));
```

Add a widget that displays the nonvirtual block count metric. For custom widgets, the default visualization type is single value. If you want to use a different visualization technique, specify a different value for the `VisualizationType` property.

```
newWidget = sizeGroup.addWidget('Custom', 1);  
newWidget.Title = ('Nonvirtual Block Count');  
newWidget.setMetricIDs('nonvirtualblockcount');  
newWidget.setWidths(slmetric.dashboard.Width.Medium);  
newWidget.setHeight(70);
```

Specify whether there are lines separating the custom widget from other widgets in the group. These commands specify that there is a line to the right of the widget.

```
s.top = false;  
s.bottom = false;  
s.left = false;  
s.right = true;  
newWidget.setSeparators([s, s, s, s]);
```

Save the configuration object. This command serializes the API information to an XML file.

```
save(conf, 'Filename', 'DashboardConfig.xml');
```

Set the active configuration.

```
slmetric.dashboard.setActiveConfiguration(fullfile(pwd, 'DashboardConfig.xml'));
```

For your model, open the Metrics Dashboard.

```
metricsdashboard vdp
```

Click the **All Metrics** button to run all metrics.

See Also

`slmetric.dashboard.setActiveConfiguration` |
`slmetric.dashboard.getActiveConfiguration`

Topics

“Collect Model Metric Data by Using the Metrics Dashboard”

“Customize Metrics Dashboard Layout and Functionality”

Introduced in R2018b

getPosition

Class: `slmetric.dashboard.CustomWidget`

Package: `slmetric.dashboard`

Obtain custom widget position within Metrics Dashboard

Syntax

```
Num = getPosition(CustomWidget)
```

Description

`Num = getPosition(CustomWidget)` returns the position of an `slmetric.dashboard.CustomWidget` object within an array that holds Metrics Dashboard objects. These objects are in an `slmetric.dashboard.Layout`, an `slmetric.dashboard.Group`, or an `slmetric.dashboard.Container` object. The order of objects in the array corresponds to proceeding from left to right, and then down in the Metrics Dashboard.

Input Arguments

CustomWidget — Metrics Dashboard custom widget

`slmetric.dashboard.CustomWidget` object

Specify the `slmetric.dashboard.CustomWidget` object for which you get its position in the array.

Output Arguments

Num — Position of custom widget object

`double`

Position of `slmetric.dashboard.CustomWidget` object within an array that holds the Metrics Dashboard objects in an `slmetric.dashboard.Layout`, an `slmetric.dashboard.Group`, or an `slmetric.dashboard.Container` object.

Data Types: `double`

See Also

`slmetric.dashboard.setActiveConfiguration` |
`slmetric.dashboard.getActiveConfiguration`

Topics

“Collect Model Metric Data by Using the Metrics Dashboard”
“Customize Metrics Dashboard Layout and Functionality”

Introduced in R2018b

setPosition

Class: `slmetric.dashboard.CustomWidget`

Package: `slmetric.dashboard`

Set custom widget position within Metrics Dashboard

Syntax

```
setPosition(CustomWidget, num)
```

Description

`setPosition(CustomWidget, num)` sets the position of an `slmetric.dashboard.CustomWidget` object in an array that holds Metrics Dashboard objects. This array contains the Metrics Dashboard objects in an `slmetric.dashboard.Layout`, an `slmetric.dashboard.Container`, or an `slmetric.dashboard.Group` object. The order of objects in the array corresponds to proceeding from left to right, and then down in the Metrics Dashboard.

Input Arguments

CustomWidget — Metrics Dashboard custom widget

`slmetric.dashboard.CustomWidget` object

Specify the `slmetric.dashboard.CustomWidget` object for which you set its position in the array.

Output Arguments

Num — Position of widget object

`double`

Position of `slmetric.dashboard.CustomWidget` object within an array that holds the Metrics Dashboard objects in either an `slmetric.dashboard.Layout`, an `slmetric.dashboard.Container`, or an `slmetric.dashboard.Group` object.

Data Types: `double`

See Also

`slmetric.dashboard.setActiveConfiguration` |

`slmetric.dashboard.getActiveConfiguration`

Topics

“Collect Model Metric Data by Using the Metrics Dashboard”

“Customize Metrics Dashboard Layout and Functionality”

Introduced in R2018b

setHeight

Class: `slmetric.dashboard.CustomWidget`

Package: `slmetric.dashboard`

Specify height of Metrics Dashboard custom widget

Syntax

```
setHeight(CustomWidget,num)
```

Description

`setHeight(CustomWidget,num)` specifies the height of a custom widget in pixels.

Input Arguments

CustomWidget — Metrics Dashboard customwidget

`slmetric.dashboard.CustomWidget`

`slmetric.dashboard.CustomWidget` for which you want to specify its height.

num — Height in pixels

integer

Height of `slmetric.dashboard.CustomWidget` object in pixels. These are the minimum heights that you can set.

- For the `SingleValue` custom widget, the minimum height is 25 pixels.
- For the `BarChart` custom widget, the minimum height is 150 pixels.
- For the `RadialGauge` custom widget, the minimum height is 120 pixels.
- For the `DistributionHeatMap` custom widget, the minimum height is 90 pixels.

Example: `setHeight(widget, 50)`

Examples

Add a Custom Widget to a Group

Create a custom metric that counts nonvirtual blocks. Specify a widget to display this metric on the Metrics Dashboard. Add it to the Size Group.

Create a custom metric class.

```
className = 'nonvirtualblockcount';  
slmetric.metric.createNewMetricClass(className);
```

Create the nonvirtual block count metric by adding this code to the `nonvirtualblockcount.m` file.

```

classdef nonvirtualblockcount < slmetric.metric.Metric
    %nonvirtualblockcount calculates number of nonvirtual blocks per level.
    % BusCreator, BusSelector and BusAssign are treated as nonvirtual.
    properties
        VirtualBlockTypes = {'Demux','From','Goto','Ground', ...
            'GotoTagVisiblity','Mux','SignalSpecification', ...
            'Terminator','Inport'};
    end

    methods
        function this = nonvirtualblockcount()
            this.ID = 'nonvirtualblockcount';
            this.Name = 'Nonvirtual Block Count';
            this.Version = 1;
            this.CompileContext = 'None';
            this.Description = 'Algorithm that counts nonvirtual blocks per level.';
            this.AggregatedValueName = 'Nonvirtual Blocks (incl. Descendants)'
            this.ValueName = 'Nonvirtual Blocks'
            this.ComponentScope = [Advisor.component.Types.Model, ...
                Advisor.component.Types.SubSystem];
            this.AggregationMode = slmetric.AggregationMode.Sum;
            this.ResultChecksumCoverage = true;
            this.SupportsResultDetails = true;
        end

        function res = algorithm(this, component)
            % create a result object for this component
            res = slmetric.metric.Result();

            % set the component and metric ID
            res.ComponentID = component.ID;
            res.MetricID = this.ID;

            % Practice
            D1=slmetric.metric.ResultDetail('identifier 1','Name 1');
            D1.Value=0;
            D1.setGroup('Group1','Group1Name');
            D2=slmetric.metric.ResultDetail('identifier 2','Name 2');
            D2.Value=1;
            D2.setGroup('Group1','Group1Name');

            % use find_system to get all blocks inside this component
            blocks = find_system(getPath(component), ...
                'SearchDepth', 1, ...
                'Type', 'Block');

            isNonVirtual = true(size(blocks));

            for n=1:length(blocks)
                blockType = get_param(blocks{n}, 'BlockType');

                if any(strcmp(this.VirtualBlockTypes, blockType))
                    isNonVirtual(n) = false;
                else
                    switch blockType
                        case 'SubSystem'
                    end
                end
            end
        end
    end
end

```

```

        % Virtual unless the block is conditionally executed
        % or the Treat as atomic unit check box is selected.
        if strcmp(get_param(blocks{n}, 'IsSubSystemVirtual'), ...
            'on')
            isNonVirtual(n) = false;
        end
    case 'Outport'
        % Outport: Virtual when the block resides within
        % SubSystem block (conditional or not), and
        % does not reside in the root (top-level) Simulink window.
        if component.Type ~= Advisor.component.Types.Model
            isNonVirtual(n) = false;
        end
    case 'Selector'
        % Virtual only when Number of input dimensions
        % specifies 1 and Index Option specifies Select
        % all, Index vector (dialog), or Starting index (dialog).
        nod = get_param(blocks{n}, 'NumberOfDimensions');
        ios = get_param(blocks{n}, 'IndexOptionArray');

        ios_settings = {'Assign all', 'Index vector (dialog)', ...
            'Starting index (dialog)'};

        if nod == 1 && any(strcmp(ios_settings, ios))
            isNonVirtual(n) = false;
        end
    case 'Trigger'
        % Virtual when the output port is not present.
        if strcmp(get_param(blocks{n}, 'ShowOutputPort'), 'off')
            isNonVirtual(n) = false;
        end
    case 'Enable'
        % Virtual unless connected directly to an Outport block.
        isNonVirtual(n) = false;

        if strcmp(get_param(blocks{n}, 'ShowOutputPort'), 'on')
            pc = get_param(blocks{n}, 'PortConnectivity');

            if ~isempty(pc.DstBlock) && ...
                strcmp(get_param(pc.DstBlock, 'BlockType'), ...
                    'Outport')
                isNonVirtual(n) = true;
            end
        end
    end
end
end
end
end

blocks = blocks(isNonVirtual);

res.Value = length(blocks);
end
end
end

```

Register the new metric in the metric repository.

```
[id_metric,err_msg] = slmetric.metric.registerMetric(className);
```

To begin, open the default configuration for the Metrics Dashboard layout.

```
conf = slmetric.dashboard.Configuration.open();
```

Obtain the `slmetric.dashboard.Layout` object from the `slmetric.dashboard.Configuration` object.

```
layout = getDashboardLayout(conf);
```

Obtain widget objects that are in the layout object.

```
layoutWidget = getWidgets(layout);
```

Remove the widget that represents the Simulink block count metric.

```
sizeGroup = layoutWidget(2);
sizeGroupWidgets = sizeGroup.getWidgets();
sizeGroup.removeWidget(sizeGroupWidgets(1));
```

Add a widget that displays the nonvirtual block count metric. For custom widgets, the default visualization type is single value. If you want to use a different visualization technique, specify a different value for the `VisualizationType` property.

```
newWidget = sizeGroup.addWidget('Custom', 1);
newWidget.Title = ('Nonvirtual Block Count');
newWidget.setMetricIDs('nonvirtualblockcount');
newWidget.setWidths(slmetric.dashboard.Width.Medium);
newWidget.setHeight(70);
```

Specify whether there are lines separating the custom widget from other widgets in the group. These commands specify that there is a line to the right of the widget.

```
s.top = false;
s.bottom = false;
s.left = false;
s.right = true;
newWidget.setSeparators([s, s, s, s]);
```

Save the configuration object. This command serializes the API information to an XML file.

```
save(conf, 'Filename', 'DashboardConfig.xml');
```

Set the active configuration.

```
slmetric.dashboard.setActiveConfiguration(fullfile(pwd, 'DashboardConfig.xml'));
```

For your model, open the Metrics Dashboard.

```
metricsdashboard vdp
```

Click the **All Metrics** button to run all metrics.

See Also

`slmetric.dashboard.setActiveConfiguration` |
`slmetric.dashboard.getActiveConfiguration`

Topics

“Collect Model Metric Data by Using the Metrics Dashboard”

“Customize Metrics Dashboard Layout and Functionality”

Introduced in R2018b

getMargin

Class: `slmetric.dashboard.Group`

Package: `slmetric.dashboard`

Obtain distance from group edge to contents

Syntax

```
pixels = getMargin(Group)
```

Description

`pixels = getMargin(Group)` returns how far in pixels the edges of an `slmetric.dashboard.Group` object is from the widgets that it contains.

Input Arguments

Group — Metrics Dashboard group

`slmetric.dashboard.Group` object

The `slmetric.dashboard.Group` object for which you are obtaining the margin distance.

Output Arguments

pixels — Group margins

character vector | string scalar

Margin distance from group contents in pixels.

Example: '40 px'

Data Types: char

See Also

`slmetric.dashboard.setActiveConfiguration` |
`slmetric.dashboard.getActiveConfiguration`

Topics

“Collect Model Metric Data by Using the Metrics Dashboard”

“Customize Metrics Dashboard Layout and Functionality”

Introduced in R2018b

getPosition

Class: `slmetric.dashboard.Group`

Package: `slmetric.dashboard`

Obtain group position within Metrics Dashboard

Syntax

```
Num = getPosition(Group)
```

Description

`Num = getPosition(Group)` returns the position of an `slmetric.dashboard.Group` object within an array that holds Metrics Dashboard objects. These objects are in an `slmetric.dashboard.Layout` or an `slmetric.dashboard.Container` object. The order of objects in the array corresponds to proceeding from left to right, and then down in the Metrics Dashboard.

Input Arguments

Group — Metrics Dashboard group

`slmetric.dashboard.Group` object

Specify the `slmetric.dashboard.Group` object for which you get its position in the array.

Output Arguments

Num — Position of group object

`double`

Position of `slmetric.dashboard.Group` object within an array that holds the Metrics Dashboard objects in an `slmetric.dashboard.Layout` or an `slmetric.dashboard.Container` object.

Data Types: `double`

See Also

`slmetric.dashboard.setActiveConfiguration` |

`slmetric.dashboard.getActiveConfiguration`

Topics

“Collect Model Metric Data by Using the Metrics Dashboard”

“Customize Metrics Dashboard Layout and Functionality”

Introduced in R2018b

setMargin

Class: `slmetric.dashboard.Group`

Package: `slmetric.dashboard`

Specify distance from group edge to its contents

Syntax

```
pixels = setMargin(Group,px)
```

Description

`pixels = setMargin(Group,px)` specifies how far in pixels the edges of an `slmetric.dashboard.Group` object is from the widgets that it contains.

Input Arguments

Group — Metrics Dashboard group

`slmetric.dashboard.Group` object

The `slmetric.dashboard.Group` object for which you are specifying margin size in pixels.

Data Types: `char`

px — Group margins

`character vector | string scalar`

Margin distance from group contents in pixels.

Example: `'40 px'`

Data Types: `char`

See Also

`slmetric.dashboard.setActiveConfiguration |`

`slmetric.dashboard.getActiveConfiguration`

Topics

“Collect Model Metric Data by Using the Metrics Dashboard”

“Customize Metrics Dashboard Layout and Functionality”

Introduced in R2018b

setPosition

Class: `slmetric.dashboard.Group`

Package: `slmetric.dashboard`

Set group position within Metrics Dashboard

Syntax

```
setPosition(Group, num)
```

Description

`setPosition(Group, num)` sets the position of an `slmetric.dashboard.Group` object in an array that holds Metrics Dashboard objects. This array contains the Metrics Dashboard objects in an `slmetric.dashboard.Layout` or an `slmetric.dashboard.Container` object. The order of objects in the array corresponds to proceeding from left to right, and then down in the Metrics Dashboard.

Input Arguments

Group — Metrics Dashboard group

`slmetric.dashboard.Group` object

Specify the `slmetric.dashboard.Group` object for which you set its position in the array.

Output Arguments

Num — Position of group object

`double`

Position of `slmetric.dashboard.Group` object within an array that holds the Metrics Dashboard objects in either an `slmetric.dashboard.Layout` or an `slmetric.dashboard.Container` object.

Data Types: `double`

See Also

`slmetric.dashboard.setActiveConfiguration` |
`slmetric.dashboard.getActiveConfiguration`

Topics

“Collect Model Metric Data by Using the Metrics Dashboard”
“Customize Metrics Dashboard Layout and Functionality”

Introduced in R2018b

getHeight

Class: `slmetric.dashboard.Widget`

Package: `slmetric.dashboard`

Obtain height of Metrics Dashboard widget

Syntax

```
Height = getHeight(widget)
```

Description

`Height = getHeight(widget)` returns the height of a widget in pixels.

Input Arguments

widget — Metrics Dashboard widget

`slmetric.dashboard.Widget` object

`slmetric.dashboard.Widget` for which you want to specify its height.

Output Arguments

Height — Height in pixels

integer

Height of `slmetric.dashboard.Widget` object in pixels.

Example: `Height = getHeight(widget)`

Data Types: `uint32`

See Also

`slmetric.dashboard.setActiveConfiguration` |

`slmetric.dashboard.getActiveConfiguration`

Topics

“Collect Model Metric Data by Using the Metrics Dashboard”

“Customize Metrics Dashboard Layout and Functionality”

Introduced in R2018b

getPosition

Class: `slmetric.dashboard.Widget`

Package: `slmetric.dashboard`

Obtain widget position within Metrics Dashboard

Syntax

```
Num = getPosition(Widget)
```

Description

`Num = getPosition(Widget)` returns the position of an `slmetric.dashboard.Widget` object within an array that holds Metrics Dashboard objects. These objects are in an `slmetric.dashboard.Layout`, an `slmetric.dashboard.Group`, or an `slmetric.dashboard.Container` object. The order of objects in the array corresponds to proceeding from left to right, and then down in the Metrics Dashboard.

Input Arguments

Widget — Metrics Dashboard widget

`slmetric.dashboard.Widget` object

Specify the `slmetric.dashboard.Widget` object for which you get its position in the array.

Output Arguments

Num — Position of widget object

`double`

Position of `slmetric.dashboard.Widget` object within an array that holds the Metrics Dashboard objects in an `slmetric.dashboard.Layout`, an `slmetric.dashboard.Group`, or an `slmetric.dashboard.Container` object.

Data Types: `double`

See Also

`slmetric.dashboard.setActiveConfiguration` |

`slmetric.dashboard.getActiveConfiguration`

Topics

“Collect Model Metric Data by Using the Metrics Dashboard”

“Customize Metrics Dashboard Layout and Functionality”

Introduced in R2018b

setHeight

Class: `slmetric.dashboard.Widget`

Package: `slmetric.dashboard`

Specify height of Metrics Dashboard widget

Syntax

```
setHeight(widget, num)
```

Description

`setHeight(widget, num)` specifies the height of a widget in pixels.

Input Arguments

widget — Metrics Dashboard widget

`slmetric.dashboard.Widget`

`slmetric.dashboard.Widget` for which you want to specify its height.

num — Height in pixels

integer

Height of `slmetric.dashboard.Widget` object in pixels. These are the minimum heights that you can set.

- For the `SystemInfo` widget, the minimum height is 90 pixels.
- For the `LibraryReuse` widget, the minimum height is 110 pixels.
- For the `GlocalInterface` widget, the minimum height is 60 pixels.

Example: `setHeight(widget, 70)`

See Also

`slmetric.dashboard.setActiveConfiguration` |

`slmetric.dashboard.getActiveConfiguration`

Topics

“Collect Model Metric Data by Using the Metrics Dashboard”

“Customize Metrics Dashboard Layout and Functionality”

Introduced in R2018b

setPosition

Class: `slmetric.dashboard.Widget`

Package: `slmetric.dashboard`

Set widget position within Metrics Dashboard

Syntax

```
setPosition(Widget, num)
```

Description

`setPosition(Widget, num)` sets the position of an `slmetric.dashboard.Widget` object in an array that holds Metrics Dashboard objects. This array contains the Metrics Dashboard objects in an `slmetric.dashboard.Layout`, an `slmetric.dashboard.Container`, or an `slmetric.dashboard.Group` object. The order of objects in the array corresponds to proceeding from left to right, and then down in the Metrics Dashboard.

Input Arguments

Widget — Metrics Dashboard widget

`slmetric.dashboard.Widget` object

Specify the `slmetric.dashboard.Widget` object for which you set its position in the array.

Output Arguments

Num — Position of widget object

`double`

Position of `slmetric.dashboard.Widget` object within an array that holds the Metrics Dashboard objects in either an `slmetric.dashboard.Layout`, an `slmetric.dashboard.Container`, or an `slmetric.dashboard.Group` object.

Data Types: `double`

See Also

`slmetric.dashboard.setActiveConfiguration` |
`slmetric.dashboard.getActiveConfiguration`

Topics

“Collect Model Metric Data by Using the Metrics Dashboard”
“Customize Metrics Dashboard Layout and Functionality”

Introduced in R2018b

slmetric.metric.MetaInformation class

Package: slmetric.metric

Set metadata for custom metrics

Description

The `slmetric.metric.MetaInformation` class properties contain metric metadata. On the Metrics Dashboard, when you click the widget for an individual metric, this metadata is in the table. For custom metrics, when you create a custom metric class, you specify the `slmetric.metric.MetaInformation` the applicable properties.

Construction

Create an `slmetric.Engine` object. Use the `getMetricMetaInformation` property to return an `slmetric.metric.MetaInformation` object.

Properties

Name — Metric name

character value | string scalar

For custom metrics, when you define the custom metric class, specify this property. For shipped metrics, this property is already set.

Example: 'Model Advisor standards check compliance for High Integrity'

Data Types: char

Description — Metric description

character value | string scalar

For custom metrics, when you define the custom metric class, specify this property. For shipped metrics, this property is already set.

Example: 'Metric that counts the percentage of checks that passed for the High Integrity Model Advisor standards check grouping.'

Data Types: char

MeasuresNames — Names of metric measures

cell array of character vectors | cell array of string scalars

For custom metrics, when you define the custom metric class, if applicable, specify this property. For shipped metrics, this property is already set.

Example: {'Passed Checks'} {'Total Checks'}

Data Types: char

AggregatedMeasuresNames — Names of aggregated metric measures

cell array of character vectors | cell array of string scalars

For custom metrics, when you define the custom metric class, if applicable, specify this property. For shipped metrics, this property is already set.

Example: {'Passed Checks (incl. Descendants')} {'Total Checks'}

Data Types: char

ValueName — Value name

character vector | string scalar

For custom metrics, when you define the custom metric class, specify this property. For shipped metrics, this property is already set.

Example: 'Passed Checks'

Data Types: char

AggregatedValueName — Name of aggregated metric value

cell array of character vectors | cell array of string scalars

For custom metrics, when you define the custom metric class, specify this property. For shipped metrics, this property is already set.

Example: {'Passed Checks (incl. Descendants')} {'Total Checks'}

Data Types: char

Examples

Add a Custom Widget to a Group

Create a custom metric that counts nonvirtual blocks. Specify a widget to display this metric on the Metrics Dashboard. Add it to the Size Group.

Create a custom metric class.

```
className = 'nonvirtualblockcount';  
slmetric.metric.createNewMetricClass(className);
```

Create the nonvirtual block count metric by adding this code to the `nonvirtualblockcount.m` file. The `this = nonvirtualblockcount` function sets the `slmetric.metric.MetaInformation` properties.

```
classdef nonvirtualblockcount < slmetric.metric.Metric  
    %nonvirtualblockcount calculates number of nonvirtual blocks per level.  
    % BusCreator, BusSelector and BusAssign are treated as nonvirtual.  
    properties  
        VirtualBlockTypes = {'Demux', 'From', 'Goto', 'Ground', ...  
            'GotoTagVisiblity', 'Mux', 'SignalSpecification', ...  
            'Terminator', 'Inport'};  
    end  
  
    methods  
        function this = nonvirtualblockcount()  
            this.ID = 'nonvirtualblockcount';  
            this.Name = 'Nonvirtual Block Count';  
            this.Version = 1;
```



```

this.CompileContext = 'None';
this.Description = 'Algorithm that counts nonvirtual blocks per level.';
this.AggregatedValueName = 'Nonvirtual Blocks (incl. Descendants)';
this.ValueName = 'Nonvirtual Blocks'
this.ComponentScope = [Advisor.component.Types.Model, ...
    Advisor.component.Types.SubSystem];
this.AggregationMode = slmetric.AggregationMode.Sum;
this.ResultChecksumCoverage = true;
this.SupportsResultDetails = true;

end

function res = algorithm(this, component)
% create a result object for this component
res = slmetric.metric.Result();

% set the component and metric ID
res.ComponentID = component.ID;
res.MetricID = this.ID;

% Practice
D1=slmetric.metric.ResultDetail('identifier 1','Name 1');
D1.Value=0;
D1.setGroup('Group1','Group1Name');
D2=slmetric.metric.ResultDetail('identifier 2','Name 2');
D2.Value=1;
D2.setGroup('Group1','Group1Name');

% use find_system to get blocks inside this component
blocks = find_system(getPath(component), ...
    'SearchDepth', 1, ...
    'Type', 'Block');

isNonVirtual = true(size(blocks));

for n=1:length(blocks)
    blockType = get_param(blocks{n}, 'BlockType');

    if any(strcmp(this.VirtualBlockTypes, blockType))
        isNonVirtual(n) = false;
    else
        switch blockType
            case 'SubSystem'
                % Virtual unless the block is conditionally executed
                % or the Treat as atomic unit check box is selected.
                if strcmp(get_param(blocks{n}, 'IsSubSystemVirtual'), ...
                    'on')
                    isNonVirtual(n) = false;
                end
            case 'Output'
                % Output: Virtual when the block resides within
                % SubSystem block (conditional or not), and
                % does not reside in the root (top-level) Simulink window.
                if component.Type ~= Advisor.component.Types.Model
                    isNonVirtual(n) = false;
                end
        end
    end
end

```

```

case 'Selector'
    % Virtual only when Number of input dimensions
    % specifies 1 and Index Option specifies Select
    % all, Index vector (dialog), or Starting index (dialog).
    nod = get_param(blocks{n}, 'NumberOfDimensions');
    ios = get_param(blocks{n}, 'IndexOptionArray');

    ios_settings = {'Assign all', 'Index vector (dialog)', ...
        'Starting index (dialog)'};

    if nod == 1 && any(strcmp(ios_settings, ios))
        isNonVirtual(n) = false;
    end
case 'Trigger'
    % Virtual when the output port is not present.
    if strcmp(get_param(blocks{n}, 'ShowOutputPort'), 'off')
        isNonVirtual(n) = false;
    end
case 'Enable'
    % Virtual unless connected directly to an Outport block.
    isNonVirtual(n) = false;

    if strcmp(get_param(blocks{n}, 'ShowOutputPort'), 'on')
        pc = get_param(blocks{n}, 'PortConnectivity');

        if ~isempty(pc.DstBlock) && ...
            strcmp(get_param(pc.DstBlock, 'BlockType'), ...
                'Outport')
            isNonVirtual(n) = true;
        end
    end
end
end
end
end

blocks = blocks(isNonVirtual);

res.Value = length(blocks);
end
end
end

```

Register the new metric in the metric repository.

```
[id_metric,err_msg] = slmetric.metric.registerMetric(className);
```

To begin, open the default configuration for the Metrics Dashboard layout.

```
conf = slmetric.dashboard.Configuration.open();
```

Obtain the `slmetric.dashboard.Layout` object from the `slmetric.dashboard.Configuration` object.

```
layout = getDashboardLayout(conf);
```

Obtain widget objects that are in the layout object.

```
layoutWidget = getWidgets(layout);
```

Remove the widget that represents the Simulink block count metric.

```
sizeGroup = layoutWidget(2);
sizeGroupWidgets = sizeGroup.getWidgets();
sizeGroup.removeWidget(sizeGroupWidgets(1));
```

Add a widget that displays the nonvirtual block count metric. For custom widgets, the default visualization type is single value. If you want to use a different visualization technique, specify a different value for the `VisualizationType` property.

```
newWidget = sizeGroup.addWidget('Custom', 1);
newWidget.Title = ('Nonvirtual Block Count');
newWidget.setMetricIDs('nonvirtualblockcount');
newWidget.setWidths(slmetric.dashboard.Width.Medium);
newWidget.setHeight(70);
```

Specify whether there are lines separating the custom widget from other widgets in the group. These commands specify that there is a line to the right of the widget.

```
s.top = false;
s.bottom = false;
s.left = false;
s.right = true;
newWidget.setSeparators([s, s, s, s]);
```

Save the configuration object. This command serializes the API information to an XML file.

```
save(conf, 'Filename', 'DashboardConfig.xml');
```

Set the active configuration.

```
slmetric.dashboard.setActiveConfiguration(fullfile(pwd, 'DashboardConfig.xml'));
```

For a model, open the Metrics Dashboard.

```
metricsdashboard vdp
```

Click the **All Metrics** button to run all metrics.

See Also

Introduced in R2018b

getMetricMetaInformation

Class: `slmetric.Engine`

Package: `slmetric`

Obtain metric metadata

Syntax

```
metaInfo = getMetricMetaInformation(metric_engine,metricID)
```

Description

`metaInfo = getMetricMetaInformation(metric_engine,metricID)` returns the `slmetric.metric.MetaInformation` object corresponding to the `metricID`.

Input Arguments

metric_engine — Metric engine object

`slmetric.Engine` object

Create an `slmetric.Engine` object.

```
metric_engine = slmetric.Engine();
```

Data Types: `char`

metricID — Metric identifier

character vector | string scalar

Metric identifier for shipped or custom metrics. You can get metric identifiers by calling the `slmetric.metric.getAvailableMetrics`.

Data Types: `char`

Output Arguments

metaInfo — Meta information object

`slmetric.metric.MetaInformation` object

For a `metricID`, the `slmetric.metric.MetaInformation` object contains its metadata. On the Metrics Dashboard, when you click a widget, this metadata appears on the table.

Examples

Obtain Metric Metadata

Obtain metadata for the high-integrity check compliance metric. This metric has a **metric ID** of `mathworks.metrics.ModelAdvisorCheckCompliance.hisl_d0178`.

Create an `slmetric.Engine` object.

```
metric_engine = slmetric.Engine();
```

To obtain metadata, use the `getMetricMetaInformation` method.

```
getMetricMetaInformation('metric_engine',...  
'mathworks.metrics.ModelAdvisorCheckCompliance.hisl_do178')
```

The high-integrity check compliance metric contains this metadata:

```
metaInfo =
```

```
  MetaInformation with properties:
```

```
      Name: 'Model Advisor standards check compliance for High Integrity'  
      Description: 'Metric that counts the percentage of High Integrity checks that passed.'  
      MeasuresNames: {2x1 cell}  
      AggregatedMeasuresNames: {2x1 cell}  
      ValueName: 'Checks Passed'  
      AggregatedValueName: 'Checks Passed (incl. Descendants)'
```

See Also

Introduced in R2018b

ModelAdvisor.ResultDetail class

Package: ModelAdvisor

Define check result details

Description

Use objects of the `ModelAdvisor.ResultDetail` class in your custom check authoring algorithm to provide details about check results. For checks that run only in the Model Advisor, use the `setResultDetails` method to associate these results with the `ModelAdvisor.Check` object and specify 'DetailStyle' as the callback style in the `ModelAdvisor.Check.setCallbackFcn` function.

Properties

Data — Block identifier or signal line handle

string

Simulink identifier (SID) for each block or signal handle for each signal that violates your custom check, specified as a string.

Data Types: char

Type — Data type

SID (default) | Signal

Data type, specified as the `ModelAdvisor.ResultDetailType` enumeration type that indicates the location of the check violation:

- `SID` - Check violation is on a block
- `Signal` - Check violation is on a signal

Data Types: enum

IsInformer — Whether check results do not have violations

false (default) | true

Whether check results do not have violations, specified as true or false. If `IsInformer = true`, then `IsViolation = false`.

Data Types: logical

IsViolation — Identifies check results with violations

true (default) | false

Whether check results have violations, specified as true or false. If `IsViolation = true`, then `IsInformer = false`.

Data Types: logical

Description — Description of check results

string

Description of check results, specified as a string.

Data Types: char

Title — Title

string

Title of check results, specified as a string.

Data Types: char

Information — Additional information

string

Additional information about the check results, specified as a string.

Data Types: char

Status — Status message

string

Status message that appears in the Model Advisor, specified as a string.

Data Types: char

RecAction — Recommended action

string

Recommended action for fixing the check, specified as a string.

Data Types: char

ViolationType — Severity of check results

"warn" (default) | "pass" | "fail"

Severity of check results specified as "pass", "fail", or "warn".

Data Types: char

Methods

`setData` Associate block identifier or signal handle with `ModelAdvisor.ResultDetail` object

Examples**Define Custom Model Advisor Check for Block Violations**

Create a custom Model Advisor check that checks whether block names appear below blocks.

To register the custom edit-time check, create an `sl_customization` function. The `sl_customization` function accepts one argument, a customization manager object. To register the custom check, use the `addModelAdvisorCheckFcn` method. The input to this method is a handle to the check definition function. For this example, `defineDetailStyleCheck` is the check definition function. Create the `sl_customization` function and save it to your working folder.

```
function sl_customization(cm)
cm.addModelAdvisorCheckFcn(@defineDetailStyleCheck);
```

Create the check definition function. For this example, create the `defineDetailStyleCheck` function and copy the code below into it. Save the function to your working folder. The check definition function contains `ModelAdvisor.Check` and `ModelAdvisor.Action` objects that define the check actions and a fix. For more details on these aspects of the code, see “Fix a Model to Comply with Conditions that You Specify with the Model Advisor”.

The `defineDetailStyleCheck` function contains a `DetailStyleCallback` callback function. To return blocks whose name does not appear below the block, `violationBlks`, the `DetailStyleCallback` function uses the `find_system` function.

When `violationBlks` is empty, the code creates one `ModelAdvisor.ResultDetail` object, `ElementResults`. `ElementResults` specifies information about the passing check that appears in the Model Advisor.

When the `find_system` function returns a list of blocks that violate the check, `ElementResults` is an array of `ModelAdvisor.Results` objects. The array contains one object for each block that violates the check. Each object contains information about the violation block that appears in the Model Advisor.

```
function defineDetailStyleCheck

% Create ModelAdvisor.Check object and set properties.
rec = ModelAdvisor.Check('com.mathworks.sample.detailStyle');
rec.Title = 'Check whether block names appear below blocks';
rec.TitleTips = 'Check position of block names';
rec.setCallbackFcn(@DetailStyleCallback,'None','DetailStyle');

% Create ModelAdvisor.Action object for setting fix operation.
myAction = ModelAdvisor.Action;
myAction.setCallbackFcn(@ActionCB);
myAction.Name='Make block names appear below blocks';
myAction.Description='Click the button to place block names below blocks';
rec.setAction(myAction);

% publish check into Demo group.
mdladvRoot = ModelAdvisor.Root;
mdladvRoot.publish(rec, 'Demo');

end

% -----
% This callback function uses the DetailStyle CallbackStyle type.
% -----
function DetailStyleCallback(system, CheckObj)
% get Model Advisor object
mdladvObj = Simulink.ModelAdvisor.getModelAdvisor(system);

% Find all blocks whose name does not appear below blocks
violationBlks = find_system(system, 'Type','block',...
    'NamePlacement','alternate',...
    'ShowName', 'on');
if isempty(violationBlks)
    ElementResults = ModelAdvisor.ResultDetail;
    ElementResults.IsInformer = true;
    ElementResults.Description = 'Identify blocks where the name is not displayed below the block.';
    ElementResults.Status = 'All blocks have names displayed below the block.';
else
    for i=1:numel(violationBlks)
        ElementResults(1,i) = ModelAdvisor.ResultDetail;
    end
    for i=1:numel(ElementResults)
        ModelAdvisor.ResultDetail.setData(ElementResults(i), 'SID',violationBlks{i});
        ElementResults(i).Description = 'Identify blocks where the name is not displayed below the block.';
```



```

ElementResults(i).Status = 'The following blocks have names that do not display below the blocks:';
ElementResults(i).RecAction = 'Change the location such that the block name is below the block.';
ElementResults(i).ViolationType = 'warn';
end
mdladvObj.setActionEnable(true);
end
CheckObj.setResultDetails(ElementResults);
end

% -----
% This action callback function changes the location of block names.
% -----
function result = ActionCB(taskObj)
mdladvObj = taskObj.MAObj;
checkObj = taskObj.Check;
resultDetailObjs = checkObj.ResultDetails;
for i=1:numel(resultDetailObjs)
    % take some action for each of them
    block=Simulink.ID.getHandle(resultDetailObjs(i).Data);
    set_param(block,'NamePlacement','normal');
end

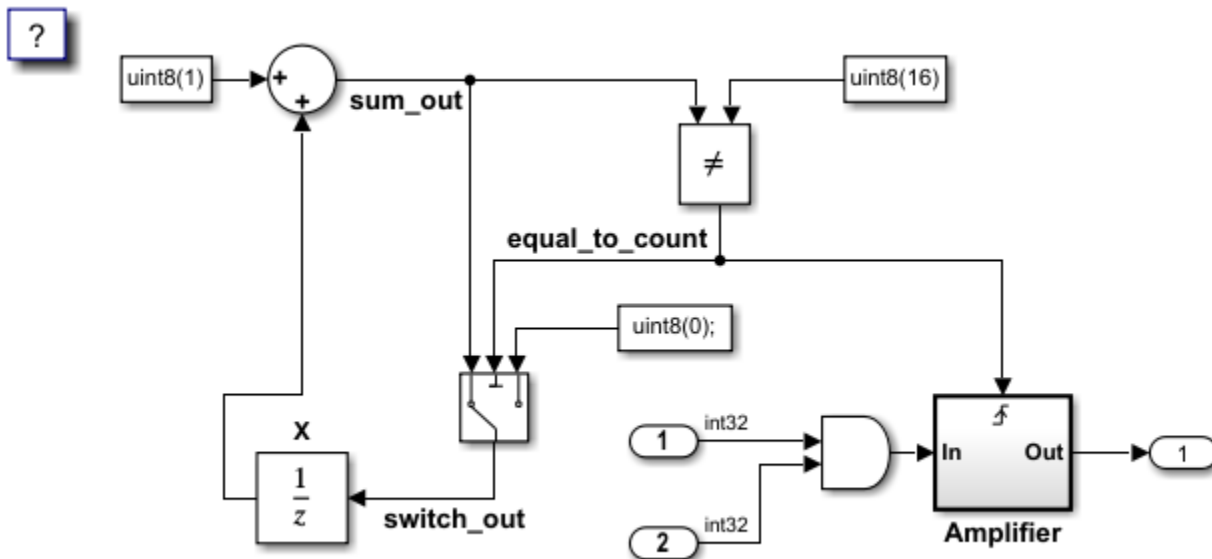
result = ModelAdvisor.Text('Changed the location such that the block name is below the block.');
```

Refresh the Model Advisor to update the cache with the new check on the path.

```
Advisor.Manager.refresh_customizations
```

To use the check, copy the `AdvisorCustomizationExample.slx` model to your current working folder. Open the model.

```
copyfile(fullfile(matlabroot,'examples','slcheck','main',...
'AdvisorCustomizationExample.slx'),'AdvisorCustomizationExample.slx','f');
```



Open the Model Advisor by clicking the **Modeling** tab and selecting **Model Advisor**.

In the left pane, select **By Product > Demo > Check whether block names appear below** and click **Run Checks**.

To address the warning, click **Fix**.

Define Custom Edit-Time Check for Signal Violations

Create a custom edit-time check that checks whether signals that connect to Outport blocks have labels.

To register the custom edit-time check, create an `sl_customization` function and save it to your working folder.

```
function sl_customization(cm)
cm.addModelAdvisorCheckFcn(@defineCheck);
```

Create the check definition function. Inside the function, create a `ModelAdvisor.Check` object and specify the check ID as the input argument. Then, specify the `ModelAdvisor.Check` `Title` and `CallbackHandle` properties. The `CallbackHandle` property is the name of the class that you create to define the edit-time check. For this example, `MyEditTimeChecks` is the package name and `SignalLabel` is the class names. Then, publish the check to a new folder in the Model Advisor. For this example, the folder name is **DEMO: Edit Time Checks**. For this example, create a `defineCheck` function and include the code below in it. Save the `defineCheck` function to your working folder.

```
function defineCheck
rec = ModelAdvisor.Check("advisor.edittimecheck.SignalLabel");
rec.Title = 'Check that signals have labels if they are to propagate those labels';
rec.CallbackHandle = 'MyEditTimeChecks.SignalLabels';
mdladvRoot = ModelAdvisor.Root;
mdladvRoot.publish(rec, 'DEMO: Edit Time Checks');
```

Create a class that derives from the `ModelAdvisor.EdittimeCheck` abstract base class. For this example, create a class file named `SignalLabel.m`. Copy the code below into the `SignalLabel.m` file and save it to the `+MyEditTimeChecks` folder. For more information on the code in the `ModelAdvisor.EdittimeCheck` class, see “Define Edit-Time Checks to Comply with Conditions that You Specify with the Model Advisor”.

The `blockDiscovered` method contains an algorithm that defines check violations. Notice that, unlike custom checks that appear only in the Model Advisor, this algorithm does not contain the `find_system` function. The `blockDiscovered` method takes block handles as inputs and traverses the model, so you do not need the `find_system` function for custom edit-time checks.

For each model element that violates the check, the code creates a `ModelAdvisor.ResultDetail` object. For this example, because the violations are on signals, the check must use parameters on the line handles of blocks, `LineHandles` to find signals with violations. Specifically, for signals that connect to Outport blocks, this algorithm checks whether the `Name` signal parameter has a value. Then, because the violation is on a signal, the algorithm highlights the signal by creating a violation object with the `Type` property value set to `Signal`.

```
classdef SignalLabels < ModelAdvisor.EdittimeCheck
    methods
        function obj=SignalLabels(checkId)
            obj=obj@ModelAdvisor.EdittimeCheck(checkId);
            obj.traversalType = edittimecheck.TraversalTypes.BLKITER;
        end

        function violation = blockDiscovered(obj, blk)
            violation = [];
            ports     = get_param(blk, 'Ports');
```

```

lh = get_param(blk, 'LineHandles');
if strcmp(get_param(blk,'BlockType'),'Outport')
    for j = 1 : ports(1)
        if lh.Inport(j) ~= -1 % failure case: no connection
            allsources = get_param(lh.Inport(j),'SrcPortHandle');
            hiliteHandle = get_param(lh.Inport(j), 'DstPortHandle');
            if (isempty(allsources) ~= 0) || (isempty(find(allsources==-1,1)) ~= 0)
                lh_obj = get_param(lh.Inport(j),'Object');
                if isempty(lh_obj.Name)
                    if strcmp(lh_obj.signalPropagation,'off') == 1
                        allsources_parent = get_param(allsources,'Parent');
                        if strcmp(get_param(allsources_parent,'BlockType'),'Inport')
                            buscreator_outputs = get_param(allsources_parent,'IsBusElementPort');
                        else
                            buscreator_outputs = 'off';
                        end
                        if ~strcmp(buscreator_outputs,'on')
                            violation = ModelAdvisor.ResultDetail;
                            ModelAdvisor.ResultDetail.setData(violation, 'Signal',hiliteHandle);
                            violation.Description = 'This signal should have a label.';
                            violation.CheckID = obj.checkId;
                            violation.Title = 'Signal Label Missing';
                        end
                    end
                end
            end
        end
    end
end
end
end
end
end
end
end
end

```

To use the checks, copy the `AdvisorCustomizationExample.slx` model to your current working folder and open the model.

```

copyfile(fullfile(matlabroot,'examples','slcheck','main',...
'AdvisorCustomizationExample.slx'),'AdvisorCustomizationExample.slx','f');

```

Refresh the Model Advisor to update the cache with the new checks on the path.

```
Advisor.Manager.refresh_customizations
```

Open the Model Advisor Configuration Editor by clicking the **Modeling** tab and selecting **Model Advisor > Configuration Editor**.

Create a custom configuration that consists of the custom edit-time check by deleting every folder except the **DEMO: Edit Time Checks** folder.

Save the configuration as `my_config.json`. When prompted to set this configuration as the default, click **No**.

Close the Model Advisor Configuration Editor.

Set the custom configuration to the `my_config.json` file by clicking the **Modeling** tab and selecting **Model Advisor > Edit-Time Checks**. In the Configuration Parameters dialog box, specify the path to the configuration file in the **Model Advisor configuration file** parameter.

Turn on edit-time checking by selecting the **Edit-Time Checks** parameter. Close the Model Configuration Parameters dialog box.

To view the edit-time warning, click the signal highlighted in yellow. The signal connecting to the Outport block produces a warning because it does not have a label.

See Also

`ModelAdvisor.Check` | `ModelAdvisor.EdittimeCheck`

Topics

“Define Custom Model Advisor Checks”

“Fix a Model to Comply with Conditions that You Specify with the Model Advisor”

“Define Edit-Time Checks to Comply with Conditions that You Specify with the Model Advisor”

Introduced in R2018b

ModelAdvisor.ResultDetail.setData

Class: ModelAdvisor.ResultDetail

Package: ModelAdvisor

Associate block identifier or signal handle with ModelAdvisor.ResultDetail object

Syntax

```
ModelAdvisor.ResultDetail.setData(ElementResults,violation)
```

Description

ModelAdvisor.ResultDetail.setData(ElementResults,violation) associates the Simulink Identifiers (SID) of blocks or the signal handles of signals that violate a check, violations with the ModelAdvisor.ResultDetail objects, ElementResults. Use this method as part of your custom check to return information about blocks or signals that violate the check.

Input Arguments

ElementResults — Result details

array of ModelAdvisor.ResultDetail objects

Result details, specified as an array of ModelAdvisor.ResultDetail objects that correspond to each block or signal that violates a custom Model Advisor check.

violation — Simulink identifier or signal line handle

string | array of strings

Simulink identifier (SID) or signal line handle for blocks or signals that violate your custom check, specified as a string or an array of strings.

Examples

Define Custom Model Advisor Check for Block Violations

Create a custom Model Advisor check that checks whether block names appear below blocks.

To register the custom edit-time check, create an sl_customization function. The sl_customization function accepts one argument, a customization manager object. To register the custom check, use the addModelAdvisorCheckFcn method. The input to this method is a handle to the check definition function. For this example, defineDetailStyleCheck is the check definition function. Create the sl_customization function and save it to your working folder.

```
function sl_customization(cm)
cm.addModelAdvisorCheckFcn(@defineDetailStyleCheck);
```

Create the check definition function. For this example, create the defineDetailStyleCheck function and copy the code below into it. Save the function to your working folder. The check

definition function contains `ModelAdvisor.Check` and `ModelAdvisor.Action` objects that define the check actions and a fix. For more details on these aspects of the code, see “Fix a Model to Comply with Conditions that You Specify with the Model Advisor”.

The `defineDetailStyleCheck` function contains a `DetailStyleCallback` callback function. To return blocks whose name does not appear below the block, `violationBlks`, the `DetailStyleCallback` function uses the `find_system` function.

When `violationBlks` is empty, the code creates one `ModelAdvisor.ResultDetail` object, `ElementResults`. `ElementResults` specifies information about the passing check that appears in the Model Advisor.

When the `find_system` function returns a list of blocks that violate the check, `ElementResults` is an array of `ModelAdvisor.Results` objects. The array contains one object for each block that violates the check. Each object contains information about the violation block that appears in the Model Advisor.

```
function defineDetailStyleCheck

% Create ModelAdvisor.Check object and set properties.
rec = ModelAdvisor.Check('com.mathworks.sample.detailStyle');
rec.Title = 'Check whether block names appear below blocks';
rec.TitleTips = 'Check position of block names';
rec.setCallbackFcn(@DetailStyleCallback,'None','DetailStyle');

% Create ModelAdvisor.Action object for setting fix operation.
myAction = ModelAdvisor.Action;
myAction.setCallbackFcn(@ActionCB);
myAction.Name='Make block names appear below blocks';
myAction.Description='Click the button to place block names below blocks';
rec.setAction(myAction);

% publish check into Demo group.
mdladvRoot = ModelAdvisor.Root;
mdladvRoot.publish(rec, 'Demo');

end

% -----
% This callback function uses the DetailStyle CallbackStyle type.
% -----
function DetailStyleCallback(system, CheckObj)
% get Model Advisor object
mdladvObj = Simulink.ModelAdvisor.getModelAdvisor(system);

% Find all blocks whose name does not appear below blocks
violationBlks = find_system(system, 'Type','block',...
    'NamePlacement','alternate',...
    'ShowName', 'on');
if isempty(violationBlks)
    ElementResults = ModelAdvisor.ResultDetail;
    ElementResults.IsInformer = true;
    ElementResults.Description = 'Identify blocks where the name is not displayed below the block.';
    ElementResults.Status = 'All blocks have names displayed below the block.';
else
    for i=1:numel(violationBlks)
        ElementResults(1,i) = ModelAdvisor.ResultDetail;
    end
    for i=1:numel(ElementResults)
        ModelAdvisor.ResultDetail.setData(ElementResults(i), 'SID',violationBlks{i});
        ElementResults(i).Description = 'Identify blocks where the name is not displayed below the block.';
        ElementResults(i).Status = 'The following blocks have names that do not display below the blocks:';
        ElementResults(i).RecAction = 'Change the location such that the block name is below the block.';
        ElementResults(i).ViolationType = 'warn';
    end
    mdladvObj.setActionEnable(true);
end
```

```

CheckObj.setResultDetails(ElementResults);
end

% -----
% This action callback function changes the location of block names.
% -----
function result = ActionCB(taskObj)
mdladvObj = taskObj.MAObj;
checkObj = taskObj.Check;
resultDetailObjs = checkObj.ResultDetails;
for i=1:numel(resultDetailObjs)
    % take some action for each of them
    block=Simulink.ID.getHandle(resultDetailObjs(i).Data);
    set_param(block, 'NamePlacement', 'normal');
end

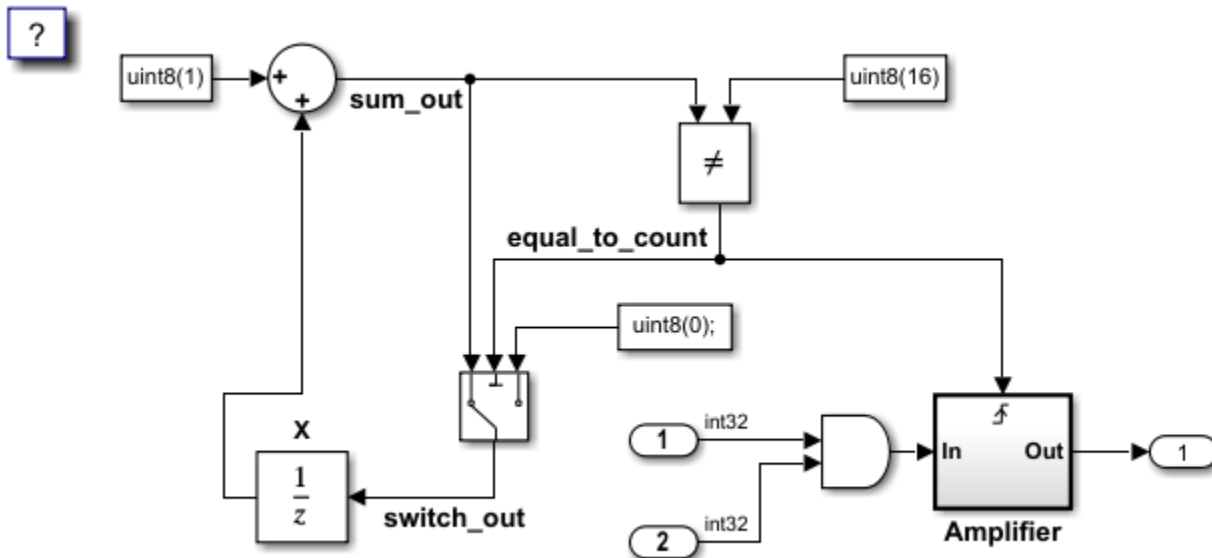
result = ModelAdvisor.Text('Changed the location such that the block name is below the block.');
```

Refresh the Model Advisor to update the cache with the new check on the path.

```
Advisor.Manager.refresh_customizations
```

To use the check, copy the `AdvisorCustomizationExample.slx` model to your current working folder. Open the model.

```
copyfile(fullfile(matlabroot, 'examples', 'slcheck', 'main', ...
'AdvisorCustomizationExample.slx'), 'AdvisorCustomizationExample.slx', 'f');
```



Open the Model Advisor by clicking the **Modeling** tab and selecting **Model Advisor**.

In the left pane, select **By Product** > **Demo** > **Check whether block names appear below** and click **Run Checks**.

To address the warning, click **Fix**.

Define Custom Edit-Time Check for Signal Violations

Create a custom edit-time check that checks whether signals that connect to Outport blocks have labels.

To register the custom edit-time check, create an `sl_customization` function and save it to your working folder.

```
function sl_customization(cm)
cm.addModelAdvisorCheckFcn(@defineCheck);
```

Create the check definition function. Inside the function, create a `ModelAdvisor.Check` object and specify the check ID as the input argument. Then, specify the `ModelAdvisor.Check` `Title` and `CallbackHandle` properties. The `CallbackHandle` property is the name of the class that you create to define the edit-time check. For this example, `MyEditTimeChecks` is the package name and `SignalLabel` is the class names. Then, publish the check to a new folder in the Model Advisor. For this example, the folder name is **DEMO: Edit Time Checks**. For this example, create a `defineCheck` function and include the code below in it. Save the `defineCheck` function to your working folder.

```
function defineCheck
rec = ModelAdvisor.Check("advisor.edittimecheck.SignalLabel");
rec.Title = 'Check that signals have labels if they are to propagate those labels';
rec.CallbackHandle = 'MyEditTimeChecks.SignalLabels';
mdladvRoot = ModelAdvisor.Root;
mdladvRoot.publish(rec, 'DEMO: Edit Time Checks');
```

Create a class that derives from the `ModelAdvisor.EdittimeCheck` abstract base class. For this example, create a class file named `SignalLabel.m`. Copy the code below into the `SignalLabel.m` file and save it to the `+MyEditTimeChecks` folder. For more information on the code in the `ModelAdvisor.EdittimeCheck` class, see “Define Edit-Time Checks to Comply with Conditions that You Specify with the Model Advisor”.

The `blockDiscovered` method contains an algorithm that defines check violations. Notice that, unlike custom checks that appear only in the Model Advisor, this algorithm does not contain the `find_system` function. The `blockDiscovered` method takes block handles as inputs and traverses the model, so you do not need the `find_system` function for custom edit-time checks.

For each model element that violates the check, the code creates a `ModelAdvisor.ResultDetail` object. For this example, because the violations are on signals, the check must use parameters on the line handles of blocks, `LineHandles` to find signals with violations. Specifically, for signals that connect to Outport blocks, this algorithm checks whether the `Name` signal parameter has a value. Then, because the violation is on a signal, the algorithm highlights the signal by creating a violation object with the `Type` property value set to `Signal`.

```
classdef SignalLabels < ModelAdvisor.EdittimeCheck
methods
function obj=SignalLabels(checkId)
obj=obj@ModelAdvisor.EdittimeCheck(checkId);
obj.traversalType = edittimecheck.TraversalTypes.BLKITER;
end

function violation = blockDiscovered(obj, blk)
violation = [];
ports = get_param(blk, 'Ports');
lh = get_param(blk, 'LineHandles');
if strcmp(get_param(blk, 'BlockType'), 'Outport')
for j = 1 : ports(1)
if lh.Inport(j) ~= -1 % failure case: no connection
allsources = get_param(lh.Inport(j), 'SrcPortHandle');
```



```

hiliteHandle = get_param(lh.Inport(j), 'DstPortHandle');
if (isempty(allsources) ~= 0) || (isempty(find(allsources==-1,1)) ~= 0)
    lh_obj = get_param(lh.Inport(j), 'Object');
    if isempty(lh_obj.Name)
        if strcmp(lh_obj.signalPropagation, 'off') == 1
            allsources_parent = get_param(allsources, 'Parent');
            if strcmp(get_param(allsources_parent, 'BlockType'), 'Inport')
                buscreator_outputs = get_param(allsources_parent, 'IsBusElementPort');
            else
                buscreator_outputs = 'off';
            end
            if ~strcmp(buscreator_outputs, 'on')
                violation = ModelAdvisor.ResultDetail;
                ModelAdvisor.ResultDetail.setData(violation, 'Signal', hiliteHandle);
                violation.Description = 'This signal should have a label.';
                violation.CheckID = obj.checkId;
                violation.Title = 'Signal Label Missing';
            end
        end
    end
end
end
end
end
end
end
end
end
end
end

```

To use the checks, copy the `AdvisorCustomizationExample.slx` model to your current working folder and open the model.

```

copyfile(fullfile(matlabroot, 'examples', 'slcheck', 'main', ...
'AdvisorCustomizationExample.slx'), 'AdvisorCustomizationExample.slx', 'f');

```

Refresh the Model Advisor to update the cache with the new checks on the path.

```
Advisor.Manager.refresh_customizations
```

Open the Model Advisor Configuration Editor by clicking the **Modeling** tab and selecting **Model Advisor > Configuration Editor**.

Create a custom configuration that consists of the custom edit-time check by deleting every folder except the **DEMO: Edit Time Checks** folder.

Save the configuration as `my_config.json`. When prompted to set this configuration as the default, click **No**.

Close the Model Advisor Configuration Editor.

Set the custom configuration to the `my_config.json` file by clicking the **Modeling** tab and selecting **Model Advisor > Edit-Time Checks**. In the Configuration Parameters dialog box, specify the path to the configuration file in the **Model Advisor configuration file** parameter.

Turn on edit-time checking by selecting the **Edit-Time Checks** parameter. Close the Model Configuration Parameters dialog box.

To view the edit-time warning, click the signal highlighted in yellow. The signal connecting to the Outport block produces a warning because it does not have a label.

See Also

`ModelAdvisor.ResultDetail` | `ModelAdvisor.Check`

Topics

“Create and Deploy a Model Advisor Custom Configuration”

Introduced in R2018b

setResultDetails

Associates result details with a check object

Syntax

```
setResultDetails(ElementResults)
```

Description

In the check callback function, use `setResultDetails(ElementResults)` to associate `ElementResults` with the check (`CheckObj`).

`ElementResults` is a collection of instances of the `ModelAdvisor.ResultDetail` class.

Input Arguments

`ElementResults` Collection of `ResultDetailObj`s objects

Examples

This example shows the result details that correspond to the execution of check **Check whether block names appear below blocks** in the `AdvisorCustomizationExample` model. At the end of the code, `CheckObj.setResultDetails(ElementResults)`; associates the results with the check object. For more information, see “Create and Deploy a Model Advisor Custom Configuration”.

```
% -----
% This callback function uses the DetailStyle CallbackStyle type.
% -----
function DetailStyleCallback(system, CheckObj)
mdladvObj = Simulink.ModelAdvisor.getModelAdvisor(system); % get object

% Find all blocks whose name does not appear below blocks
violationBlks = find_system(system, 'Type','block',...
    'NamePlacement','alternate',...
    'ShowName', 'on');
if isempty(violationBlks)
    ElementResults = ModelAdvisor.ResultDetail;
    ElementResults.IsInformer = true;
    ElementResults.Description = 'Identify blocks where the name is not displayed below the block.';
    ElementResults.Status = 'All blocks have names displayed below the block.';
    mdladvObj.setCheckResultStatus(true);
else
    for i=1:numel(violationBlks)
        ElementResults(1,i) = ModelAdvisor.ResultDetail;
    end
    for i=1:numel(ElementResults)
        ModelAdvisor.ResultDetail.setData(ElementResults(i), 'SID',violationBlks{i});
        ElementResults(i).Description = 'Identify blocks where the name is not displayed below the block.';
        ElementResults(i).Status = 'The following blocks have names that do not display below the blocks:';
        ElementResults(i).RecAction = 'Change the location such that the block name is below the block.';
    end
    mdladvObj.setCheckResultStatus(false);
    mdladvObj.setActionEnable(true);
end
CheckObj.setResultDetails(ElementResults);
end
```

See Also

`ModelAdvisor.ResultDetail` | `ModelAdvisor.Check.ResultDetails`

Topics

“Create Model Advisor Checks”

“Fix a Model to Comply with Conditions that You Specify with the Model Advisor”

Introduced in R2018b

ResultDetails property

Result details in a cell array

Values

Cell array

Default: {} (empty cell array)

Description

The `ResultDetails` property stores the `ResultDetailObj`s objects associated with the check. This property can contain multiple objects.

Introduced in R2018b

slsruicer

Create API object for invoking Model Slicer

Syntax

```
slsruicer(model)
slsruicer(model,opts)
obj = slsruicer(model)
```

Description

`slsruicer(model)` creates a Model Slicer configuration object for the model `model` by exposing the methods for invoking Model Slicer.

`slsruicer(model,opts)` creates a Model Slicer configuration object for the model `model` by using the options object `opts`, as defined by `slsruiceroptions`.

`obj = slsruicer(model)` creates a Model Slicer configuration object. You can apply the methods on the Model Slicer object `obj`.

Examples

Add Starting Point and Highlight the Model Slice

Add a new starting point to the active Model Slicer configuration, and then highlight the model.

Open the `sldvSliceClimateControlExample` example model.

```
addpath(fullfile(docroot,'toolbox','simulink','examples'));
open_system('sldvSliceClimateControlExample');
```

Create a Model Slicer configuration object for the model by using `slsruicer`.

```
obj = slsruicer('sldvSliceClimateControlExample');
```

Activate the slice highlighting mode of Model Slicer to compile the model and prepare the model slice for dependency analysis.

```
activate(obj);
```

Add the `Out1` output block as the starting point and highlight the model slice.

```
addStartingPoint(obj,'sldvSliceClimateControlExample/Out1');
highlight(obj);
```

The area of the model upstream of the starting point and which is active during simulation is highlighted.

Terminate the model highlighting mode and discard the analysis data.

```
terminate(obj);
```

Input Arguments

model — Name or handle of model

character vector | string scalar

Name of the model whose Model Slicer options object you configure. `slicer` uses the Model Slicer configurations associated with `model`, as defined by `sliceroptions`.

opts — Options you attach to a model or save to a file

`sliceroptions` object

Structure containing the options for the Model Slicer configuration. `sliceroptions` defines the options object `opts`.

Output Arguments

obj — Model Slicer object

`slicer` object

Model Slicer object handle.

See Also

`SLSlicerAPI.SLSlicer` | `slicertrace` | `sliceroptions`

Topics

“Workflow for Dependency Analysis”

“Configure Model Highlight and Sliced Models”

“Model Slicer Considerations and Limitations”

Introduced in R2015b

slsliceroptions

Create options object for configuring Model Slicer

Syntax

```
slsliceroptions  
slsliceroptions(model)  
slsliceroptions(file)  
slsliceroptions(model,opts)  
slsliceroptions(file,opts)
```

Description

`slsliceroptions` creates an options object for configuring the Model Slicer.

`slsliceroptions(model)` creates a copy of the Model Slicer options object associated with `model`.

`slsliceroptions(file)` creates a copy of the Model Slicer options object contained in the SLMS file `file`.

`slsliceroptions(model,opts)` attaches the slicer options `opts` to the model `model` by overwriting the existing options.

`slsliceroptions(file,opts)` attaches the slicer options `opts` to the SLMS file `file` by overwriting the existing options.

Examples

Add Starting Points and Exclusion Points to Active Configuration

Add a new starting point and a new exclusion point to the active Model Slicer configuration.

Open the `f14` example model.

```
open_system('f14')
```

Define the options file `opts` for the model.

```
opts = slsliceroptions('f14')
```

Add a new starting point on the Gain block.

```
addStartingPoint(opts, 'f14/Gain')
```

Add a new exclusion point on the `alpha (rad)` block.

```
addExclusionPoint(opts, 'f14/alpha (rad)')
```


Add Starting Points and Exclusion Points to New Configuration

Add a starting point and an exclusion point to the active Model Slicer configuration without overwriting the original configuration.

Open the f14 example model.

```
open_system('f14')
```

Define the options file `opts` for the model.

```
opts = sliceroptions('f14')
```

Create a second Model Slicer options configuration for the model.

```
addConfiguration(opts)
```

Add a new starting point on the Gain block for the second Model Slicer options configuration.

```
addStartingPoint(opts.Configuration(2), 'f14/Gain')
```

Add a new exclusion point on the `alpha (rad)` block for the second Model Slicer options configuration.

```
addExclusionPoint(opts.Configuration(2), 'f14/alpha (rad)')
```

Input Arguments

model — Name or handle of model

character vector | string scalar

Name of the model whose Model Slicer options object you configure.

file — Name of file

character vector | string scalar

Name of the SLMS file containing the Model Slicer options object that you configure.

Example: `sliceroptions('f14.slms')`

opts — Options you attach to a model or save to a file

structure

Structure containing the options for the Model Slicer configuration.

See Also

`slicertrace` | `sliceroptions`

Topics

“Workflow for Dependency Analysis”

“Configure Model Highlight and Sliced Models”

“Model Slicer Considerations and Limitations”

Introduced in R2015b

slicertrace

Return block handles in sliced model or source model after using Model Slicer

Syntax

```
slicertrace('slice',object)
slicertrace('source',object)
```

Description

`slicertrace('slice',object)` returns the block handles in the sliced model that correspond to blocks specified by `object` in the source model.

`slicertrace('source',object)` returns the block handles in the source model that correspond to blocks specified by `object` in the sliced model.

Examples

Highlight a Block in the Source Model

Highlight the Switch block in the `sldvSliceClimateControlExample` source model.

Open the `sldvSliceClimateControlExample` example model.

```
addpath(fullfile(docroot,'toolbox','simulink','examples'));
open_system('sldvSliceClimateControlExample');
```

Create a slicer object `obj` and add `Out1` as the starting point.

```
obj = slicer('sldvSliceClimateControlExample');
activate(obj);
addStartingPoint(obj,'sldvSliceClimateControlExample/Out1');
highlight(obj)
```

Create a sliced model by using `slice`.

```
slice(obj,'sldvSliceClimateControlExample_sliced')
```

Highlight the On Switch block in the source model by using `slicertrace`

```
h=slicertrace('SOURCE', 'sldvSliceClimateControlExample_sliced/Refrigeration/On');
hilite_system(h);
terminate(obj);
```

Input Arguments

object — Object in source model or sliced model

character vector | cell array of character vectors | string array

An object can be specified as an array of block handles, cell arrays of block paths, or cell arrays of Simulink Identifiers (SID).

See Also

slicer | sliceroptions

Topics

“Workflow for Dependency Analysis”

“Configure Model Highlight and Sliced Models”

“Model Slicer Considerations and Limitations”

Introduced in R2015b

edittime.enableCheck

Enable disabled custom edit-time check

Syntax

```
edittime.enableCheck(checkID)
```

Description

`edittime.enableCheck(checkID)` enables the disabled custom edit-time check `checkID`. The Model Advisor disables custom edit-time checks that take longer than 500 milliseconds to run in at least three different models.

Examples

Re-enable a Disabled Custom Edit-Time Check

Re-enable a check that took too long to execute.

Suppose you have a custom edit-time check with the check identifier `advisor.edittimecheck.PortColor` that takes longer than 500 milliseconds to execute and the Model Advisor disables the check. When the Model Advisor disables the check, it displays a warning on the Simulink canvas.

To re-enable the check, provide the check identifier as the input to the `edittime.enableCheck` function.

```
edittime.enableCheck("advisor.edittimecheck.PortColor")
```

Input Arguments

checkID — Check identifier

string

Check identifier for a custom edit-time check, specified as a string.

Example: "advisor.edittimecheck.PortColor"

Data Types: string

See Also

`edittime.getAdvisorChecking` | `edittime.setAdvisorChecking`

Topics

"Define Edit-Time Checks to Comply with Conditions that You Specify with the Model Advisor"

Introduced in R2022a

edittime.getAdvisorChecking

Determine whether edit-time checking is on

Syntax

```
val = edittime.getAdvisorChecking(model)
```

Description

Use the `val = edittime.getAdvisorChecking(model)` returns whether edit-time checking is on or off.

Examples

Determine if edit-time checking is on

Determine your model interactively.

Open the vdp example model.

```
vdp
```

Check whether edit-time checking is on.

```
edittime.getAdvisorChecking('vdp')
```

Input Arguments

model — model name

character vector

Model for which you want to determine whether edit-time checking is on.

Data Types: char

Output Arguments

val — Returns on or off

char

If edit-time checking is on, this function returns on. If edit-time checking is off, this function returns off.

See Also

`edittime.setAdvisorChecking`

Topics

“Check Model Compliance by Using the Model Advisor”

“Check Model Compliance Using Edit-Time Checking”

Introduced in R2019a

edittime.setAdvisorChecking

Check your model interactively against modeling standards

Syntax

```
edittime.setAdvisorChecking(model,value)
```

Description

`edittime.setAdvisorChecking(model,value)` specifies whether to use the Model Advisor to check your model interactively against modeling standards. This function is the equivalent to selecting **Modeling > Model Advisor > Edit-Time Checks** and selecting the check box for **Edit-Time Checks**.

Examples

Enable edit-time checking through the command line

Check your model interactively.

Open the vdp example model.

```
vdp
```

Turn on edit-time checking.

```
edittime.setAdvisorChecking('vdp','on')
```

Confirm that edit-time checking is on.

```
edittime.getAdvisorChecking('vdp')
```

Input Arguments

model — model name

character vector

Model that you want to apply edit-time checking to

Data Types: char

value — Turn edit-time checking on or off

character vector

To turn edit-time checking on, set `value` to `on`. To turn edit-time checking off, set the `value` to `off`.

Data Types: char

See Also

`edittime.getAdvisorChecking`

Topics

“Check Model Compliance by Using the Model Advisor”

“Check Model Compliance Using Edit-Time Checking”

Introduced in R2019a

SLSlicerAPI.SLSlicer.addExclusionPoint

Class: SLSlicerAPI.SLSlicer

Package: SLSlicerAPI

Adds block handles, block paths, or Simulink Identifiers (SID) as slice exclusion point

Syntax

```
addExclusionPoint(obj,ExclusionPoint)
```

Description

addExclusionPoint(obj,ExclusionPoint) adds the ExclusionPoint as the exclusion point in the model slice for dependency analysis.

Input Arguments

obj — Model Slicer configuration

slicer object

Class containing the options of Model Slicer configuration.

ExclusionPoint — Slice exclusion point

character vector | cell array of character vectors | string array

Example

Exclusions at Block handles

Specifies the block handle. To get the block handle, use the getSimulinkBlockHandle command.

```
obj = slicer('sldvSliceClimateControlExample');
blkH = get_param('sldvSliceClimateControlExample/Out1','Handle');
addExclusionPoint(obj,blkH);
```

To add multiple block handles as exclusion point, use cell array, for example:

```
blkH = {get_param('sldvSliceClimateControlExample/Out1','Handle'),...
        get_param('sldvSliceClimateControlExample/Out2','Handle')};
addExclusionPoint(obj,blkH);
```

Exclusions at Block Paths

Block path name, specified as a character vector or a cell array of character vectors.

```
bPath = {'sldvSliceClimateControlExample/Out1'};
addExclusionPoint(obj, bPath);
```

To add multiple block handles as exclusion point, use cell array, for example:

```
bPath = {'sldvSliceClimateControlExample/Out1',...
        'sldvSliceClimateControlExample/Heater/HeaterAct'};
addExclusionPoint(obj, bPath);
```

Exclusions at SID

Simulink Identifier, a unique designation assigned to a Simulink block or model annotation. To get the SID, use the `Simulink.ID.getSID` command.

```
addExclusionPoint(obj, 'sldvSliceClimateControlExample:39')
```

Exclusions at LineHs

Handles of line that connects from the Inport block to the Outport block. To get the Line Handle, use `get_param` command.

```
lh1 = get_param('sldvSliceClimateControlExample/Heater/Heat','LineHandles');  
lh2 = get_param('sldvSliceClimateControlExample/Heater','LineHandles');  
LineHs = [lh1.Inport(1), lh2.Outport(2)];  
addExclusionPoint(obj,LineHs);
```

Alternatives

To open the Model Slicer manager, in the Simulink Editor, select the **APPS** tab, and click **Model Slicer**. To add the block as the exclusion point, in the model, right-click the block and select **Model Slicer > Add as Exclusion Point**.

See Also

"Highlight Functional Dependencies" | `SLSlicerAPI.SLSlicer.removeExclusionPoint`

Introduced in R2015b

SLSlicerAPI.SLSlicer.removeExclusionPoint

Class: SLSlicerAPI.SLSlicer

Package: SLSlicerAPI

Removes the exclusion point from the model slice

Syntax

```
removeExclusionPoint(obj,ExclusionPoint)
```

Description

`removeExclusionPoint(obj,ExclusionPoint)` removes the `ExclusionPoint` from the model slice for dependency analysis.

Input Arguments

obj — Model Slicer configuration

slicer object

Class containing the options of Model Slicer configuration.

ExclusionPoint — Slice exclusion point

character vector | cell array of character vectors | string array

Specify the slice exclusion point to remove from the model slice. Table summarizes the options for slice exclusion point.

Starting Point	Description
Block handles	<p>Specifies the block handle. To get the block handle, use the <code>getSimulinkBlockHandle</code> command.</p> <p>Example:</p> <pre>blkH = get_param('sldvSliceClimateControlExample/Out1','Handle'); removeExclusionPoint(obj,blkH);</pre> <p>To remove multiple block handles exclusion point, use cell array, for example:</p> <pre>blkH = {get_param('sldvSliceClimateControlExample/Out1','Handle'), get_param('sldvSliceClimateControlExample/Out2','Handle')}; removeExclusionPoint(obj,blkH);</pre>

Starting Point	Description
Block paths	<p>Block path name, specified as a character vector or a cell array of character vectors.</p> <p>Example:</p> <pre>bPath = {'sldvSliceClimateControlExample/Out1'}; removeExclusionPoint(obj, bPath);</pre> <p>To remove multiple block handles exclusion point, use cell array, for example:</p> <pre>bPath = {'sldvSliceClimateControlExample/Out1',... 'sldvSliceClimateControlExample/Heater/HeaterAct'}; removeExclusionPoint(obj, bPath);</pre>
SID	<p>Simulink Identifier, a unique designation assigned to a Simulink block or model annotation. To get the SID, use the Simulink.ID.getSID command.</p> <p>Example:</p> <pre>removeExclusionPoint(obj, 'sldvSliceClimateControlExa</pre>
LineHs	<p>Handles of line that connects from the Inport block to the Outport block. To get the Line Handle, use get_param command.</p> <p>Example:</p> <pre>lh1 = get_param('sldvSliceClimateControlExample/Heater/Heat','Lin lh2 = get_param('sldvSliceClimateControlExample/Heater','LineHand LineHs = [lh1.Inport(1), lh2.Outport(2)]; removeExclusionPoint(obj,LineHs);</pre>

Alternatives

To open the Model Slicer manager, in the Simulink Editor, select the **APPS** tab, and click **Model Slicer**. To add the block as the starting point, in the model, right-click the block and select **Model Slicer > Remove Exclusion Point**.

See Also

“Highlight Functional Dependencies” | SLSlicerAPI.SLSlicer.addExclusionPoint

Introduced in R2015b

SLSlicerAPI.SLSlicer.removeStartingPoint

Class: SLSlicerAPI.SLSlicer

Package: SLSlicerAPI

Removes the starting point from the model slice

Syntax

```
removeStartingPoint(obj,StartingPoint)
```

Description

`removeStartingPoint(obj,StartingPoint)` removes the `StartingPoint` from the model slice for dependency analysis.

Input Arguments

obj — Model Slicer configuration

slicer object

Class containing of Model Slicer configuration options.

StartingPoint — Slice starting point

character vector | cell array of character vectors | string array

Block or signal line from which the Model Slicer analysis is started.

Examples

Remove Starting using Blocks Handles

Specifies the block handle. To get the block handle, use the `getSimulinkBlockHandle` command.

```
obj = slsruce('sldvSliceClimateControlExample');
blkH = get_param('sldvSliceClimateControlExample/Out1','Handle');
removeStartingPoint(obj,blkH);
```

To remove multiple block handles starting point, use cell array, for example:

```
blkH = {get_param('sldvSliceClimateControlExample/Out1','Handle'),...
        get_param('sldvSliceClimateControlExample/Out2','Handle')};
removeStartingPoint(obj,blkH);
```

Remove Starting using Blocks Paths

Block path name, specified as a character vector or a cell array of character vectors.

```
bPath = {'sldvSliceClimateControlExample/Out1'};
removeStartingPoint(obj, bPath);
```

To remove multiple block paths starting point, use cell array, for example:

```
bPath = {'sldvSliceClimateControlExample/Out1',...  
'sldvSliceClimateControlExample/Heater/HeaterAct'};  
removeStartingPoint(obj, bPath);
```

Remove Starting using SID

Simulink Identifier, a unique designation assigned to a Simulink block or model annotation. To get the SID, use the `Simulink.ID.getSID` command.

```
removeStartingPoint(obj, 'sldvSliceClimateControlExample:39')
```

Remove Starting using LineHs

Handles of line that connects from the Inport block to the Outport block. To get the Line Handle, use `get_param` command.

```
lh1 = get_param('sldvSliceClimateControlExample/Heater/Heat','LineHandles');  
lh2 = get_param('sldvSliceClimateControlExample/Heater','LineHandles');  
LineHs = [lh1.Inport(1), lh2.Outport(2)];  
removeStartingPoint(obj,LineHs);
```

Alternatives

To open the Model Slicer manager, in the Simulink toolstrip, select the **APPS** tab, and click **Model Slicer**. To remove a block or signal as the starting point, in the model, right-click the block or signal and select **Model Slicer > Remove Starting Point**.

See Also

“Highlight Functional Dependencies” | `SLSlicerAPI.SLSlicer.addStartingPoint`

Introduced in R2015b

SLSlicerAPI.SLSlicer.addStartingPoint

Class: SLSlicerAPI.SLSlicer

Package: SLSlicerAPI

Add block handles, block paths, or Simulink Identifiers (SID) as the slice starting point

Syntax

```
addStartingPoint(obj,StartingPoint)
```

Description

addStartingPoint(obj,StartingPoint) adds StartingPoint as slice starting point for dependency analysis.

Input Arguments

obj — Model Slicer configuration

slicer object

Class containing Model Slicer configuration options.

StartingPoint — Slice starting point

character vector | cell array of character vectors | string array

Example

Starting Point at Block Handles

Specifies the block handle. To get the block handle, use the getSimulinkBlockHandle command.

```
blkH = get_param('sldvSliceClimateControlExample/Out1','Handle');
addStartingPoint(obj,blkH);
```

To add multiple block handles as starting point, use cell array, for example:

```
blkH = {get_param('sldvSliceClimateControlExample/Out1','Handle'),...
        get_param('sldvSliceClimateControlExample/Out2','Handle')};
addStartingPoint(obj,blkH);
```

Starting Point at Block Path

Block path name, specified as a character vector or a cell array of character vectors.

```
bPath = {'sldvSliceClimateControlExample/Out1'};
addStartingPoint(obj, bPath);
```

To add multiple block paths as starting point, use cell array, for example:

```
bPath = {'sldvSliceClimateControlExample/Out1',...
        'sldvSliceClimateControlExample/Heater/HeaterAct'};
addStartingPoint(obj, bPath);
```

Starting Point at SID

Simulink Identifier, a unique designation assigned to a Simulink block or model annotation. To get the SID, use the `Simulink.ID.getSID` command.

```
addStartingPoint(obj, 'sldvSliceClimateControlExample:39')
```

Starting Point at LineHs

Handles of line that connects from the Inport block to the Outport block. To get the Line Handle, use `get_param` command.

```
lh1 = get_param('sldvSliceClimateControlExample/Heater/Heat','LineHandles');  
lh2 = get_param('sldvSliceClimateControlExample/Heater','LineHandles');  
LineHs = [lh1.Inport(1), lh2.Outport(2)];  
addStartingPoint(obj,LineHs);
```

Alternatives

To open the Model Slicer manager, in the Simulink Editor, select the **APPS** tab, and click **Model Slicer**. To add a block or signal as the starting point, in the model, right-click the block and select **Model Slicer > Add as Starting Point**.

See Also

"Highlight Functional Dependencies" | `SLSlicerAPI.SLSlicer.removeStartingPoint`

Introduced in R2015b

SLSlicerAPI.SLSlicer.activate

Class: SLSlicerAPI.SLSlicer

Package: SLSlicerAPI

Activates the model for analysis

Syntax

```
activate(obj)
```

Description

activate(obj) activates the model for dependency analysis.

Input Arguments

obj — Model Slicer configuration

slicer object

Object containing Model Slicer configuration options.

Example

Activate Slicer Object

```
open_system('sldvSliceClimateControlExample');  
obj=slicer('sldvSliceClimateControlExample');  
activate(obj);
```

Terminate Slicer Object

```
terminate(obj)
```

Alternatives

To open the Model Slicer manager, in the Simulink Editor, select the **APPS** tab, and click **Model Slicer**. Invoking Model Slicer on the model automatically activates the model for analysis.

See Also

SLSlicerAPI.SLSlicer.simulate | SLSlicerAPI.SLSlicer.terminate

Introduced in R2015b

SLSlicerAPI.SLSlicer.ActiveBlocks

Class: SLSlicerAPI.SLSlicer

Package: SLSlicerAPI

Returns the active non-virtual block handles

Syntax

ActiveBlocks(obj)

Description

ActiveBlocks(obj) returns the active non-virtual block handles.

Input Arguments

obj — Model Slicer configuration

slicer object

Object containing Model Slicer configuration options.

Name-Value Pair Arguments

Specify optional comma-separated pairs of **Name**, **Value** arguments. **Name** is the argument name and **Value** is the corresponding value. **Name** must appear inside quotes.

IncludeVirtual — Include virtual blocks in the highlight

false (default) | boolean

This is an optional argument for including the virtual blocks in the list of blocks highlighted by Model Slicer.

Example:

```
open_system('sldvdemo_cruise_control');
slicerObj = slsruer('sldvdemo_cruise_control');
slicerObj.addStartingPoint('sldvdemo_cruise_control/Controller/throt');
slicerObj.highlight;
allActiveBlocks = slicerObj.ActiveBlocks('IncludeVirtual', true);
```

Example

```
open_system('sldvSliceClimateControlExample');
obj=slsruer('sldvSliceClimateControlExample');
activeblocks(obj);
```

Alternatives

To open the Model Slicer manager, in the Simulink Editor, select the **APPS** tab, and click **Model Slicer**. To view the active blocks, simulate the model while the model is in slicer mode.

See Also

SLSlicerAPI.SLSlicer.activate | SLSlicerAPI.SLSlicer.terminate

Introduced in R2015b

SLSlicerAPI.SLSlicer.highlight

Class: SLSlicerAPI.SLSlicer

Package: SLSlicerAPI

Updates the model highlighting

Syntax

```
highlight(obj)
```

Description

`highlight(obj)` updates the model highlighting.

Input Arguments

obj — Model Slicer configuration

slicer object

Object containing Model Slicer configuration options.

Example

```
open_system('sldvSliceClimateControlExample');  
obj=slicer('sldvSliceClimateControlExample');  
highlight(obj);
```

Alternatives

To open the Model Slicer manager, in the Simulink Editor, select the **APPS** tab, and click **Model Slicer**. To highlight the active blocks, simulate the model while the model is in slicer mode.

See Also

SLSlicerAPI.SLSlicer.unhighlight | SLSlicerAPI.SLSlicer.terminate

Introduced in R2015b

SLSlicerAPI.SLSlicer.simulate

Class: SLSlicerAPI.SLSlicer

Package: SLSlicerAPI

Simulates a test case for dynamic slicing from time "t1" to time "t2"

Syntax

```
simulate(obj,t1,t2)
```

Description

`simulate(obj,t1,t2)` simulates a test case for dynamic slicing from time "t1" to time "t2". If t1 is a non-zero value, the simulation first happens from zero to t2 and then the results reported are trimmed automatically for the specified duration t1 to t2.

Input Arguments

obj — Model Slicer configuration

slicer object

Object containing Model Slicer configuration options.

(t1, t2) — Upper(t2) and lower(t1) time period boundaries for the simulation results of the sliced model

integer, Floating-Point Number

Desired time period to view simulation results for the sliced model. Post simulation and analysis the simulation results for the selected time period (t1 to t2) is displayed.

Example

```
open_system('sldvSliceClimateControlExample');
obj=slicer('sldvSliceClimateControlExample');
simulate(obj);
```

Alternatives

To open the Model Slice Manager, in the Simulink Editor, select the **APPS** tab, and click **Model Slicer**. The initial simulation of the model in slicer mode gives you the option to select the upper boundary of the simulation time (t2), with 0 being the lower boundary (t1). Post simulation and analysis you can view the simulation results for the selected time period (t1 to t2). To select the desired time period to view simulation results, from the **Model Slice Manager**, enter the t1 and t2 values in the **Time window** field and click **Highlight**.

See Also

SLSlicerAPI.SLSlicer.terminate

Introduced in R2015b

SLSlicerAPI.SLSlicer.terminate

Class: SLSlicerAPI.SLSlicer

Package: SLSlicerAPI

Discards the analysis data and reverts the model highlighting (invoked when the object goes out of scope)

Syntax

```
terminate(obj)
```

Description

`terminate(obj)` discards the analysis data and reverts the model highlighting (invoked when the object goes out of scope).

Input Arguments

obj — Model Slicer configuration

slicer object

Object containing Model Slicer configuration options.

Example

```
open_system('sldvSliceClimateControlExample');  
obj=slicer('sldvSliceClimateControlExample');  
activate(obj);  
terminate(obj);
```

Alternatives

To open the Model Slicer manager, in the Simulink Editor, select the **APPS** tab, and click **Model Slicer**. To terminate slicer mode on the model, simply close the Model Slice Manager.

See Also

`SLSlicerAPI.SLSlicer.activate` | `SLSlicerAPI.SLSlicer.simulate`

Introduced in R2015b

SLSlicerAPI.SLSlicer.unhighlight

Class: SLSlicerAPI.SLSlicer

Package: SLSlicerAPI

Removes the model highlighting without changing the activation status

Syntax

```
unhighlight(obj)
```

Description

`unhighlight(obj)` removes the model highlighting without changing the activation status.

Input Arguments

obj — **Model Slicer configuration**

`slslicer` object

Class containing Model Slicer configuration options.

Example

```
open_system('sldvSliceClimateControlExample');  
obj=slslicer('sldvSliceClimateControlExample');  
unhighlight(obj);
```

See Also

`SLSlicerAPI.SLSlicer.highlight`

Introduced in R2015b

SLSlicerAPI.SLSlicer.unlock

Class: SLSlicerAPI.SLSlicer

Package: SLSlicerAPI

Discards the analysis data while retaining model highlights

Syntax

```
unlock(obj)
```

Description

`unlock(obj)` discards the analysis data while retaining model highlights.

Input Arguments

obj — Model Slicer configuration


slicer object

Class containing Model Slicer configuration options.

Example

```
open_system('sldvSliceClimateControlExample');  
obj=slicer('sldvSliceClimateControlExample');  
unlock(obj);
```

Alternatives

To open the Model Slicer manager, in the Simulink Editor, select the **APPS** tab, and click **Model Slicer**. To unlock the model, click  on the **Model Slice Manager** window.

See Also

SLSlicerAPI.SLSlicer.simulate | SLSlicerAPI.SLSlicer.terminate

Introduced in R2015b

SLSlicerAPI.SLSlicer class

Package: SLSlicerAPI

Class representing a set of Model Slicer functionality

Description

The SLSlicerAPI.SLSlicer class provides set of methods to access Model Slicer functionality from the MATLAB command line. Use an instance of SLSlicerAPI.SLSlicer class to:

- Activate or terminate slice simulation.
- Add or remove starting point, exclusion point, constraints, slice component and configuration.
- Highlight the functional dependencies.
- Set time window and simulate slice.
- Refine slice for dead logic analysis.

Construction

`slslicer(model)` creates an API object for the model `model` by exposing the methods for invoking Model Slicer. Uses the Model Slicer configurations associated with `model`, as defined by `slsliceroptions`.

`slslicer(model, opts)` creates an API object `model` by using the options object `opts`, as defined by `slsliceroptions`.

Input Arguments

model — Name or handle of model

character vector | string scalar

Name of the model whose Model Slicer options object you configure. `slslicer` uses the Model Slicer configurations associated with the `model`, as defined by `slsliceroptions`.

Example: `sldvSliceClimateControlExample`

Data Types: `char` | `string`

opts — Options you attach to a model or save to a file

structure

Structure containing the options for the Model Slicer configuration. `slsliceroptions` defines the options object `opts`.

Example: `slsliceroptions`

Data Types: `struct`

Properties

Name

Name of the configuration.

Type: character vector

Default: Preconfigured values

Description

Description of the configuration.

Type: character vector

Default: Empty

Signal Propagation

Direction of the dependency analysis.

Type: character vector

Allowed Values: upstream | downstream | bidirectional

Default: upstream

Color

Color of the highlight.

Type: 3x1 double vector

Allowed Values: R | B | G

Default: pre-configured

deadlogic file

Location of s slicex file containing dead logic data.

Type: char vector

Default: Empty

use dead logic

Flag to specify if analysis should exclude elements dead logic

Type: boolean

Default: False

coverage file

Location of s slicex file containing simulation data.

Type: char vector

Default: Empty

usetimewindow

Flag to specify if the analysis should use simulation time window information.

Type: boolean

Default: False

slicecomponent

Model blocks or subsystems that are added as slice component.

Type: Struct

Default: Empty

Constraint

Model elements that are added as constraints.

Type: Struct

Default: Empty

Exclusion Point

Model elements that are added as exclusion point.

Type: Struct

Default: Empty

Starting Point

Model elements that are added as starting point.

Type: Struct

Default: Empty

InlineOptions.Libraries

Inlining model items inside sliced libraries within the sliced model and maintaining the library links.

Type: Boolean

Default: True

InlineOptions.ModelBlocks

Inlining model items from the model referenced by the Model block within the sliced model, and removing model block.

Type: Boolean

Default: True

InlineOptions.Masks

Inlining model items inside sliced masked subsystems within the sliced model, and retaining the mask in sliced model.

Type: Boolean

Default: True

InlineOptions.Variants

Inlining model items to the sliced model from the active variant and removing variants.

Type: Boolean

Default: True

InlineOptions.SubsystemReferences

inline contents of subsystem references in sliced models.

Type: Boolean

Default: True

SliceOptions.ExtendSubsystems

Expanded Trivial subsystems in the sliced model, and set subsystem boundary.

Type: Boolean

Default: True

SliceOptions.RootLevelInterfaces

Retain Root-level ports in the sliced model.

Type: Boolean

Default: True

SliceOptions.SignalObservers

Retain signal observers, such as scopes, displays, and test condition blocks, in the sliced model.

Type: Boolean

Default: False

Methods

<code>addExclusionPoint</code>	Adds block handles, block paths, or Simulink Identifiers (SID) as slice exclusion point
<code>removeExclusionPoint</code>	Removes the exclusion point from the model slice
<code>removeStartingPoint</code>	Removes the starting point from the model slice
<code>addStartingPoint</code>	Add block handles, block paths, or Simulink Identifiers (SID) as the slice starting point
<code>activate</code>	Activates the model for analysis
<code>ActiveBlocks</code>	Returns the active non-virtual block handles
<code>highlight</code>	Updates the model highlighting
<code>simulate</code>	Simulates a test case for dynamic slicing from time "t1" to time "t2"
<code>terminate</code>	Discards the analysis data and reverts the model highlighting (invoked when the object goes out of scope)
<code>unhighlight</code>	Removes the model highlighting without changing the activation status
<code>unlock</code>	Discards the analysis data while retaining model highlights
<code>slice</code>	Creates a sliced model from the model highlight
<code>addConstraint</code>	Adds the constraint on Switch or Multiport switch blocks, and Stateflow state or transition
<code>removeConstraint</code>	Removes the constraint from the model slice
<code>addSliceComponent</code>	Adds a model or a subsystem as a slice component
<code>removeSliceComponent</code>	Removes the slice component from the model slice
<code>report</code>	Generate web report for the model
<code>refineDeadLogic</code>	Updates the model highlighting with dead logic refinement
<code>removeDeadLogic</code>	Removes the dead logic refinement

Object Functions

`slslicer` Create API object for invoking Model Slicer

Examples

Add Starting Point and Highlight the Model Slice

Add a new starting point to the active Model Slicer configuration, and then highlight the model.

Open the `sldvSliceClimateControlExample` example model.

```
addpath(fullfile(docroot, 'toolbox', 'simulink', 'examples'));  
open_system('sldvSliceClimateControlExample');
```

Create a Model Slicer configuration object for the model by using `slslicer`.

```
obj = slslicer('sldvSliceClimateControlExample');
```

To compile the model and prepare the model slice for dependency analysis, activate the slice highlighting mode of Model Slicer.

```
activate(obj);
```

Add the Out1 output block as the starting point and highlight the model slice.

```
addStartingPoint(obj, 'sldvSliceClimateControlExample/Out1');  
highlight(obj);
```

The area of the model upstream of the starting point and which is active during simulation is highlighted.

Terminate the model highlighting mode and discard the analysis data.

```
terminate(obj);
```

See Also

Topics

“Workflow for Dependency Analysis”

“Model Slicer Considerations and Limitations”

Introduced in R2015b

SLSlicerAPI.SLSlicer.slice

Class: SLSlicerAPI.SLSlicer

Package: SLSlicerAPI

Creates a sliced model from the model highlight

Syntax

```
slice(obj, 'sldvSliceClimateControlExample_sliced')
```

Description

`slice(obj, 'sldvSliceClimateControlExample_sliced')` creates a sliced model from the model highlight.

Input Arguments

obj — Model Slicer configuration

slicer object

Object containing Model Slicer configuration options.

sldvSliceClimateControlExample_sliced — Sliced model

character vector

Name of generated slice model.

Alternatives

To open the Model Slicer manager, in the Simulink Editor, select the **APPS** tab, and click **Model Slicer**. Invoking Model Slicer on the model automatically activates the model for analysis.

See Also

`SLSlicerAPI.SLSlicer.simulate` | `SLSlicerAPI.SLSlicer.terminate`

Introduced in R2015b

SLSlicerAPI.SLSlicer.addConstraint

Class: SLSlicerAPI.SLSlicer

Package: SLSlicerAPI

Adds the constraint on Switch or Multiport switch blocks, and Stateflow state or transition

Syntax

```
addConstraint(obj,bpath,{1, 1})
```

Description

addConstraint(obj,bpath,{1, 1}) adds the constraint from the model slice.

Input Arguments

obj — Model Slicer configuration

slicer object

Object containing Model Slicer configuration options.

bpath — Block path handle

character vector

Path or handle to Switch or Multiport Switch or Stateflow State or Transition.

Example: bpath={'sldvSliceClimateControlExample/Refrigeration/On'};

Alternatives

To open the Model Slicer manager, in the Simulink Editor, select the **APPS** tab, and click **Model Slicer**. Invoking Model Slicer on the model automatically activates the model for analysis.

See Also

SLSlicerAPI.SLSlicer.simulate | SLSlicerAPI.SLSlicer.terminate

Introduced in R2015b

SLSlicerAPI.SLSlicer.removeConstraint

Class: SLSlicerAPI.SLSlicer

Package: SLSlicerAPI

Removes the constraint from the model slice

Syntax

```
removeConstraint(obj,bpath)
```

Description

`removeConstraint(obj,bpath)` removes the constraint from the model slice.

Input Arguments

obj — **Model Slicer configuration**

slicer object

Object containing Model Slicer configuration options.

bpath — **Block path or handle**

character vector

Path of the constraint that needs to be added as slice component.

Example: `bpath={'sldvSliceClimateControlExample/Refrigeration/On'};`

Alternatives

To open the Model Slicer manager, in the Simulink Editor, select the **APPS** tab, and click **Model Slicer**. Invoking Model Slicer on the model automatically activates the model for analysis.

See Also

`SLSlicerAPI.SLSlicer.simulate` | `SLSlicerAPI.SLSlicer.terminate`

Introduced in R2015b

SLSlicerAPI.SLSlicer.addSliceComponent

Class: SLSlicerAPI.SLSlicer

Package: SLSlicerAPI

Adds a model or a subsystem as a slice component

Syntax

```
addSliceComponent(obj, bpath)
```

Description

`addSliceComponent(obj, bpath)` adds a model or a subsystem as a slice component.

Input Arguments

obj — **Model Slicer configuration**

slicer object

Object containing Model Slicer configuration options.

bpath — **Block path or handle**

character vector

Path of the model or subsystem that needs to be added as slice component.

Alternatives

To open the Model Slicer manager, in the Simulink Editor, select the **APPS** tab, and click **Model Slicer**. Invoking Model Slicer on the model automatically activates the model for analysis.

See Also

`SLSlicerAPI.SLSlicer.simulate` | `SLSlicerAPI.SLSlicer.terminate`

Introduced in R2015b

SLSlicerAPI.SLSlicer.removeSliceComponent

Class: SLSlicerAPI.SLSlicer

Package: SLSlicerAPI

Removes the slice component from the model slice

Syntax

```
removeSliceComponent(obj)
```

Description

`removeSliceComponent(obj)` removes the slice component from the model slice.

Input Arguments

obj — **Model Slicer configuration**

slslicer object

Object containing Model Slicer configuration options.

Alternatives

To open the Model Slicer manager, in the Simulink Editor, select the **APPS** tab, and click **Model Slicer**. Invoking Model Slicer on the model automatically activates the model for analysis.

See Also

`SLSlicerAPI.SLSlicer.simulate` | `SLSlicerAPI.SLSlicer.terminate`

Introduced in R2015b

SLSlicerAPI.SLSlicer.report

Class: SLSlicerAPI.SLSlicer

Package: SLSlicerAPI

Generate web report for the model

Syntax

```
report(obj)
```

Description

`report(obj)` creates a web view report from the model highlight using the Simulink Report Generator™.

Input Arguments

obj — Model Slicer configuration

slicer object

Object containing Model Slicer configuration options.

Example

Activate Slicer Object

```
open_system('sldvdemo_cruise_control');  
slicerObj = slslicer('sldvdemo_cruise_control');  
slicerObj.addStartingPoint('sldvdemo_cruise_control/throt');  
slicerObj.highlight;  
slicerObj.report;
```

Terminate Slicer Object

```
terminate(obj)
```

Alternatives

Click on the Report button from the model slicer app after analysis.

See Also

SLSlicerAPI.SLSlicer.simulate | SLSlicerAPI.SLSlicer.addStartingPoint

Introduced in R2015b

SLSlicerAPI.SLSlicer.refineDeadLogic

Class: SLSlicerAPI.SLSlicer

Package: SLSlicerAPI

Updates the model highlighting with dead logic refinement

Syntax

```
refineDeadLogic(obj, 'sldvSlicerdemo_dead_logic', analysis_time)
```

Description

`refineDeadLogic(obj, 'sldvSlicerdemo_dead_logic', analysis_time)` updates the model highlighting with dead logic refinement

Input Arguments

obj — Model Slicer configuration

slicer object

Object containing Model Slicer configuration options.

sldvSlicerdemo_dead_logic — Simulink model for Model Slicer analysis

character vector

Model or subsystem being analyzed for dead logic.

analysis_time — Duration for analysis

duration

Amount of time used for dead logic analysis.

Example

- 1 Open example `AnalyzeTheDeadLogicExample`. The model to demonstrate refining dead logic is located in this example's folder.

```
model= 'sldvSlicerdemo_dead_logic';  
open_system(model);
```

- 2 Create a Slicer API object, and add the **target** output as a starting point.

```
slicerObj = slslicer(model);  
slicerObj.addStartingPoint([model '/Controller/target']);
```

- 3 Observe highlight on model.

```
slicerObj.highlight;
```

- 4 Refine Dead Logic for a time period.

```
slicerObj.refineDeadLogic(model, 300);
```

- 5 Observe refined highlight on model

```
slicerObj.highlight;
```

Alternatives

To perform dead logic refinement using the Model Slicer UI, open the Model Slicer manager, from the Simulink Editor, select the **APPS > Model Slicer**. In the Model Slicer pane, you can perform the refinement using **Refine Dead Logic** section. For more information, see “Refine Dead Logic for Dependency Analysis”.

See Also

SLSlicerAPI.SLSlicer.simulate | SLSlicerAPI.SLSlicer.terminate

Introduced in R2015b

SLSlicerAPI.SLSlicer.removeDeadLogic

Class: SLSlicerAPI.SLSlicer

Package: SLSlicerAPI

Removes the dead logic refinement

Syntax

```
removeDeadLogic(obj, 'sldvSlicerdemo_dead_logic')
```

Description

`removeDeadLogic(obj, 'sldvSlicerdemo_dead_logic')` removes the dead logic refinement.

Input Arguments

obj — Model Slicer configuration

slicer object

Object containing Model Slicer configuration options.

sldvSlicerdemo_dead_logic — Simulink Model for Model Slicer analysis

character vector

Model or subsystem that has dead logic refinement applied.

Alternatives

To open the Model Slicer manager, in the Simulink Editor, select the **APPS** tab, and click **Model Slicer**. Invoking Model Slicer on the model automatically activates the model for analysis.

See Also

SLSlicerAPI.SLSlicer.simulate | SLSlicerAPI.SLSlicer.terminate

Introduced in R2015b

ModelAdvisor.setDefaultConfiguration

Package: ModelAdvisor

Set the Model Advisor configuration

Syntax

```
ModelAdvisor.setDefaultConfiguration('ConfigFilePath')
```

Description

`ModelAdvisor.setDefaultConfiguration('ConfigFilePath')` specifies the configuration for the Model Advisor. The configuration defines the organization of the folders and checks in the Model Advisor.

To reset the configuration to the default configuration, pass an empty string to this function (that is, `ModelAdvisor.setDefaultConfiguration('')`). If you do not specify a custom configuration as the default, the default is the shipping configuration.

Note You create a custom configuration by using the Model Advisor Configuration Editor. You can specify your custom configuration as the default configuration.

Examples

Set the Model Advisor Configuration

To set the configuration that is applied to the Model Advisor, at the MATLAB command line:

```
ModelAdvisor.setDefaultConfiguration('C:\temp\demoConfiguration.json');
```

Input Arguments

ConfigFilePath — File path to configuration file

character vector | string scalar

Full file path to folder containing the configuration file that contains Model Advisor custom configuration.

Example: 'C:\temp\demoConfiguration.json'

Data Types: char

See Also

`ModelAdvisor.Check`

Topics

“Use the Model Advisor Configuration Editor to Customize the Model Advisor”

Introduced in R2020a

ModelAdvisor.getModelConfiguration

Package: ModelAdvisor

Get Model Advisor configuration associated with model

Syntax

```
ConfigFileName = ModelAdvisor.getModelConfiguration(ModelName)
```

Description

`ConfigFileName = ModelAdvisor.getModelConfiguration(ModelName)` returns the name of the Model Advisor configuration file associated with the specified model, `ModelName`.

Examples

Get the Model Advisor Configuration Associated with a Model

Get the configuration file associated with the model `vdp`.

Load the model `vdp`. In the MATLAB Command Window, enter:

```
load_system("vdp")
```

Suppose you have a Model Advisor configuration file named `config.json` in your current working directory. Associate the configuration `config.json` with the model `vdp` by entering:

```
ModelAdvisor.setModelConfiguration("vdp","config.json")
```

View the Model Advisor configuration file associated with the model.

```
ModelAdvisor.getModelConfiguration("vdp")
```

```
ans =
```

```
    'config.json'
```

Input Arguments

ModelName — Name of model

character vector | string scalar

Name of a model, specified as a character vector or string scalar.

Example: "vdp"

Data Types: char | string

Output Arguments

ConfigFileName — Name of Model Advisor configuration file

character vector

Name of the Model Advisor configuration file, returned as a character vector. If a model does not have an associated Model Advisor configuration file, `ModelAdvisor.getModelConfiguration` returns an empty character array.

See Also

`ModelAdvisor.setModelConfiguration`

Topics

“Load and Associate a Custom Configuration with a Model”

Introduced in R2022a

ModelAdvisor.setModelConfiguration

Package: ModelAdvisor

Set Model Advisor configuration associated with model

Syntax

```
ModelAdvisor.setModelConfiguration(ModelName,ConfigFile)
```

Description

`ModelAdvisor.setModelConfiguration(ModelName,ConfigFile)` sets the Model Advisor configuration file `ConfigFile` as the configuration associated with the model `ModelName`.

For Model Advisor configuration files created in R2021b or earlier, use R2022a or later to open and re-save the configuration file in the Model Advisor Configuration Editor before associating the file with a model.

Examples

Set the Model Advisor Configuration Associated with a Model

Set the configuration file associated with the model `vdp`.

Load the model `vdp`. In the MATLAB Command Window, enter:

```
load_system("vdp")
```

Suppose you have a Model Advisor configuration file named `config.json` in your current working directory. Associate the configuration `config.json` with the model `vdp` by entering:

```
ModelAdvisor.setModelConfiguration("vdp","config.json")
```

Input Arguments

ModelName — Name of model

character vector | string scalar

Name of a model, specified as a character vector or string scalar.

Example: "vdp"

Data Types: char | string

ConfigFile — Name or path of Model Advisor configuration file

character vector | string scalar

Name or path of a Model Advisor configuration file, specified as a character vector or string scalar.

Example: "config.json"

Example: "C:\temp\demoConfiguration.json"

Data Types: char | string

Alternative Functionality

App

You can also use the Model Advisor to set the Model Advisor configuration associated with a model. In the Model Advisor, load your configuration file and click **Open > Associate Configuration to Model**. For more information, see "Load and Associate a Custom Configuration with a Model".

See Also

`ModelAdvisor.getModelConfiguration`

Topics

"Load and Associate a Custom Configuration with a Model"

Introduced in R2022a

Simulink.CloneDetection.findClones

Find clones in a model

Syntax

```
cloneResults = Simulink.CloneDetection.findClones(model)
cloneResults = Simulink.CloneDetection.findClones(model,
cloneDetectionSettings)
cloneResults = Simulink.CloneDetection.findClones(cloneDetectionSettings)
```

Description

`cloneResults = Simulink.CloneDetection.findClones(model)` finds and returns subsystem clones for a specified model.

`cloneResults = Simulink.CloneDetection.findClones(model, cloneDetectionSettings)` uses the conditions specified in a `cloneDetectionSettings` object for a specified model.

`cloneResults = Simulink.CloneDetection.findClones(cloneDetectionSettings)` uses the conditions specified in a `cloneDetectionSettings` object.

Examples

Find Clones with Default Conditions

This example shows how to execute `findClones` function and store the results to `cloneResults` object. For an example model, see `ex_clone_detection`.

```
cloneResults = Simulink.CloneDetection.findClones('ex_clone_detection')
```

```
cloneResults =
```

```
Results with properties:
```

```
Clones: [1x1 struct]
ExceptionLog: ''
```

```
cloneResults.Clones
```

```
Results with properties:
```

```
Summary: [1x1 struct]
CloneGroups: [1x2 struct]
```

Find Clones with Customised Settings Object in a single model

This example shows how to execute `findClones` function using the customised settings specified in `cloneDetectionSettings` object and change the value of property `ParamDifferenceThreshold` to zero.

```
cloneDetectionSettings = Simulink.CloneDetection.Settings();
cloneDetectionSettings.ParamDifferenceThreshold = 0;

cloneResults = Simulink.CloneDetection.findClones('ex_clone_detection', cloneDetectionSettings)

cloneResults =

    Results with properties:

        Clones: [1x1 struct]
        ExceptionLog: ''
```

Find Clones with Customised Settings Object in the folders containing models

This example shows how to execute `findClones` function using the customised settings specified in `cloneDetectionSettings` object and mention the folders name in `Folders` property.

```
cloneDetectionSettings = Simulink.CloneDetection.Settings();
cloneDetectionSettings.Folders = {'Folder 1', 'Folder 2', 'Folder 3'};

cloneResults = Simulink.CloneDetection.findClones(cloneDetectionSettings)

cloneResults =

    Results with properties:

        Clones: [1x1 struct]
        ExceptionLog: ''
```

Input Arguments

model — Model name

character vector

Model name, specified as a character vector.

cloneDetectionSettings — Configuration to find clones

`Simulink.CloneDetection.Settings` object

Clone Detection Settings, specified as a `Simulink.CloneDetection.Settings` object.

Output Arguments

cloneResults — Identified clones

`Simulink.CloneDetection.Results` object

Identified clones, returned as a `Simulink.CloneDetection.Results` object.

See Also

Detect and Replace Clones Using API | `Simulink.CloneDetection.replaceClones` on page 1-629

Introduced in R2021a

Simulink.CloneDetection.replaceClones

Replace clones in a model

Syntax

```
cloneReplacementResults = Simulink.CloneDetection.replaceClones(cloneResults)
cloneReplacementResults = Simulink.CloneDetection.replaceClones(cloneResults,
cloneReplacementConfig)
```

Description

`cloneReplacementResults = Simulink.CloneDetection.replaceClones(cloneResults)` replaces clones and returns the `cloneReplacementResults` object for the specified `cloneResults`.

`cloneReplacementResults = Simulink.CloneDetection.replaceClones(cloneResults, cloneReplacementConfig)` uses the replacement configurations specified in `cloneReplacementConfig`.

Examples

Replace Clones with Default Conditions

This example shows how to execute `replaceClones` function using `cloneResults` object and store the results to `cloneReplacementResults` object.

```
cloneReplacementResults = Simulink.CloneDetection.replaceClones(cloneResults)
```

```
cloneReplacementResults =
```

```
ReplacementResults with properties:
```

```
ReplacedClones: [1×5 struct]
ExcludedClones: {}
```

Replace clones with a Customised Configuration Object

This example shows how to execute `replaceClones` function using the replacement configurations specified in `cloneReplacementConfig` object.

```
cloneReplacementResults = Simulink.CloneDetection.replaceClones(cloneResults, cloneReplacementConfig)
```

```
cloneReplacementResults =
```

```
ReplacementResults with properties:
```

```
ReplacedClones: [1×4 struct]  
ExcludedClones: [1×1 struct]
```

Input Arguments

cloneResults — Identified clones

`Simulink.CloneDetection.Results` object

Clones identified in a model, specified as a `Simulink.CloneDetection.Results` object.

cloneReplacementConfig — Settings to replace clones

`Simulink.CloneDetection.ReplacementConfig` object

Settings to use to replace clones, specified as a `Simulink.CloneDetection.ReplacementConfig` object.

Output Arguments

cloneReplacementResults — Replaced clones

`Simulink.CloneDetection.ReplacementResults` object

Clones replaced in the model, returned as a `Simulink.CloneDetection.ReplacementResults` object.

See Also

Detect and Replace Clones Using API | `Simulink.CloneDetection.findClones` on page 1-627

Introduced in R2021a

Simulink.CloneDetection.checkEquivalency

Check equivalency of clone-replaced model and original model

Syntax

```
Simulink.CloneDetection.checkEquivalency(cloneReplacementResults)
```

Description

`Simulink.CloneDetection.checkEquivalency(cloneReplacementResults)` checks the equivalency of a model that was updated to replace clones and the original model using a `cloneReplacementResults` object.

Examples

Check Equivalency of the Model

```
equivalencyCheckResults = Simulink.CloneDetection.checkEquivalency(cloneReplacementResults)

equivalencyCheckResults =
    equivalencyCheckResults with properties:
        List: [1x1 struct]

equivalencyCheckResults.List =
    struct with fields:
        IsEquivalencyCheckPassed: 1
        OriginalModel: 'm2m_ex_clone_detection_B/snapshot_2020_12_02_17_27_54_ex_clone_detection_B.slx'
        UpdatedModel: 'ex_clone_detection_B.slx'
```

Input Arguments

`cloneReplacementResults` — Results of replace clones operation

`Simulink.CloneDetection.ReplacementResults` object

Results of a replace clones operation, specified as a `Simulink.CloneDetection.ReplacementResults` object.

See Also

Detect and Replace Clones Programmatically | `Simulink.CloneDetection.findClones` on page 1-627 | `Simulink.CloneDetection.replaceClones` on page 1-629

Introduced in R2021a

Simulink.CloneDetection.ReplacementConfig class

Package: Simulink.CloneDetection

Conditions for clone replacement function

Description

Use object of the Simulink.CloneDetection.ReplacementConfig class to specify certain conditions when calling the Simulink.CloneDetection.replaceClones function.

Creation

Description

Simulink.CloneDetection.ReplacementConfig creates an object of the Simulink.CloneDetection.ReplacementConfig class.

Properties

LibraryNameToAddSubsystemsTo — Name for creating library file

character vector

Name of library to create, specified as a character vector.

IgnoredClones — Subsystems to ignore during clone replacement

character vector | array of character vector

Subsystems to ignore during clone replacement, specified as a character vector or an array of character vectors.

Methods

Public Methods

addCloneToIgnoreList Add subsystem to clone replacement ignore list
removeCloneFromIgnoreList Remove subsystem from clone replacement ignore list

Examples

Store Clone Replacement Configuration Information

This example shows to create and store clone replacement configuration information in a cloneReplacementConfig object and change the property of LibraryNameToAddSubsystemsTo to UserDefinedLibName.

- ```
cloneReplacementConfig = Simulink.CloneDetection.ReplacementConfig('UserDefinedLibName');
cloneReplacementConfig =
```

ReplacementConfig with properties:

```
LibraryNameToAddSubsystemsTo: 'UserDefinedLibName'
IgnoredClones: {}
```

## **See Also**

[Simulink.CloneDetection.Settings](#) | [Simulink.CloneDetection.ReplacementResults](#) | [Simulink.CloneDetection.Results](#)

**Introduced in R2021a**

# Simulink.CloneDetection.ReplacementResults class

**Package:** Simulink.CloneDetection

Results of replace clones

## Description

Use objects of the `Simulink.CloneDetection.ReplacementResults` class to view the results of a clone replacement operation.

## Creation

### Description

The `Simulink.CloneDetection.replaceClones` function creates an object of the `Simulink.CloneDetection.ReplacementResults` class when executed. You can use this object as the input argument of the `Simulink.CloneDetection.checkEquivalency` function.

## Properties

### ReplacedClones — List of clones replaced

structure

Name list of the replaced clones and reference subsystem, specified as array of character vector.

- `Name` — Name of the replaced subsystem clone
- `ReferenceSubsystem` — Subsystem used to replace clone

### ExcludedClones — List of clones excluded

structure

Name list of the excluded clones and reason for exclusion, specified as array of character vector.

- `Name` — Name of the excluded subsystem clone
- `ReasonForExclusion` — Reason for excluding from clone replacement

## Examples

### View Results of a Replace Clones Operation

This example shows how to analyze the results of replace clones operation.

The replace clones function stores the information in `cloneReplacementResults` object.

```
1 cloneReplacementResults = Simulink.CloneDetection.replaceClones(cloneResults)
```

```
cloneReplacementResults =

ReplacementResults with properties:

ReplacedClones: [1x5 struct]
ExcludedClones: {}
```

- `cloneReplacementResults.ReplacedClones`
- 2** To view the `ReplacedClones` field.

```
ans =
1x5 struct array with fields:
Name
ReferenceSubsystem
```

### See Also

[Simulink.CloneDetection.Settings](#) | [Simulink.CloneDetection.ReplacementConfig](#) |  
[Simulink.CloneDetection.Results](#) |  
[Simulink.CloneDetection.EquivalencyCheckResults](#)

**Introduced in R2021a**

# Simulink.CloneDetection.Results class

**Package:** Simulink.CloneDetection

Results of find clones

## Description

Use an object of the Simulink.CloneDetection.Results class to analyze the results of the find clone operation.

## Creation

### Description

The Simulink.CloneDetection.findClones function creates an object of the Simulink.CloneDetection.Results class when executed. You can use this object as the input argument of the Simulink.CloneDetection.replaceClones function.

---

**Note** You should not write the Simulink.CloneDetection.Results object to avoid wrong execution of replace clones function.

---

## Properties

### Clones — Detected clone information

structure

Detected clone information, specified as a structure.

### Summary — Clone detection summary

structure

Number of CloneGroups, SimilarClones, ExactClones and PotentialReusePercentage, returned as a structure.

### CloneGroups — Number of clone groups

uint32

Number of identical clone patterns in the model, specified as a uint32 integer.

### SimilarClones — Number of similar clones

uint32

Number of similar clones in the model, specified as a uint32 integer

### ExactClones — Number of exact clones

uint32

Number of exact clones in the model, specified as a uint32 integer.



**Clones — Total number of clones**

uint32

Total number of clones in the model, specified as a uint32 integer.

**PotentialReusePercentage — Amount of reuse opportunity in percentage**

uint32

Amount of reuse opportunity in percentage in the model, specified as a uint32 integer.

**CloneGroups — Group of clones considered as identical match**

structure

Subsystems that are considered as clones, specified as a structure.

**Name — Clone group name**

character vector

Name of the clone group, specified as a character vector.

**Summary — Clone group summary**

structure

Summary of the clone group, specified as a structure with the fields:

- `ParameterDifferences` — List of differences in parameters
- `Clones` — Number of subsystem clones in a particular clone group
- `BlocksPerClone` — Number of block elements in the clone
- `CloneType` — Whether the clone is a `Similar` or `Exact` clone
- `BlockDifference` — Difference in block value

**CloneList — List of subsystem clones**

array of character vectors

List of subsystem clone names, specified as an array of character vectors.

**ExceptionLog — Log of exceptions and warnings**

array of character vectors

The `ExceptionLog` contains the exceptions and warnings from `find clones` operation, specified as an array of character vectors.

## Examples

**Analyze Results After Finding Clones in a Model**

- 1 This example shows how to analyze the results of `find clones` operation. For an example model, see `ex_clone_detection`.

The `find clones` function stores the information in `cloneResults` object.

```
cloneResults = Simulink.CloneDetection.findClones('ex_clone_detection')
```

```
cloneResults =
 Results with properties:
 Clones: [1x1 struct]
 ExceptionLog: ''
```

`cloneResults.Clones`

struct with fields:

```
 Summary: [1x1 struct]
 CloneGroups: [1x2 struct]
```

**2** To view the summary of `cloneResults`.

`cloneResults.Clones.Summary`

struct with fields:

```
 CloneGroups: 2
 SimilarClones: 5
 ExactClones: 0
 Clones: 5
 PotentialReusePercentage: [1x1 struct]
```

`cloneResults.Clones.CloneGroups`

1x2 struct array with fields:

```
 Name
 Summary
 CloneList
```

`cloneResults.Clones.CloneGroups(1)`

struct with fields:

```
 Name: 'Similar Clone Group 1'
 Summary: [1x1 struct]
 CloneList: {3x1 cell}
```

**3** To view the summary of first clone group.

`cloneResults.Clones.CloneGroups(1).Summary`

struct with fields:

```
 ParameterDifferences: [1x1 struct]
 Clones: 3
 BlocksPerClone: 8
 CloneType: 'Similar'
 BlockDifference: 1
```

## See Also

[Simulink.CloneDetection.Settings](#) | [Simulink.CloneDetection.ReplacementResults](#) | [Simulink.CloneDetection.EquivalencyCheckResults](#)

**Introduced in R2021a**

# Simulink.CloneDetection.Settings class

**Package:** Simulink.CloneDetection

Conditions for findClones function

## Description

Use objects of the Simulink.CloneDetection.Settings class to specify certain conditions when calling the Simulink.CloneDetection.findClones function.

## Creation

### Description

Simulink.CloneDetection.Settings creates an object of the Simulink.CloneDetection.Settings class.

## Properties

### IgnoreSignalName — Ignore differences in signal names

false or 0 | true or 1

Option to ignore signal name differences while detecting clones, specified as false or true.

### IgnoreBlockProperty — Ignore differences in block property

false or 0 | true or 1

Option to ignore block property differences while detecting clones, specified as false or true.

### ExcludeModelReferences — Model references exclusion

false or 0 | true or 1

Option to exclude Model Reference blocks from search clone patterns, specified as false or true.

### ExcludeLibraryLinks — Exclude library links

false or 0 | true or 1

Option to exclude library links from search clone patterns, specified as false or true.

### FindClonesRecursivelyInFolders — Find clones recursively in folders

false or 0 | true or 1

Option to find clones in models from the folders present inside the specified folder, specified as false or true.

### ParamDifferenceThreshold — Maximum number of parameter differences allowed to consider pattern as clone

uint32

Number of differences allowed to consider a pattern as a clone, specified as a uint32 integer.

**ReplaceExactClonesWithSubsystemReference — Replace exact clones with Subsystem Reference blocks**

false or 0 | true or 1

Option to replace exact clones with Subsystem Reference blocks, specified as `false` or `true`.

**Libraries — Path to libraries**

character vector | array of character vectors | Strings

Path to libraries used to replace patterns in the model, specified as a character vector or array of character vectors.

**Folders — Path to folders**

character vector | array of character vectors | Strings

Path to folders that contain the models, specified as a character vector or array of character vectors.

**DetectClonesAcrossModel — Option to detect clones across model**

false or 0 | true or 1

Option to detect clones anywhere across the model, specified as `false` or `true`.

**MinimumRegionSize — Minimum number of blocks**

uint32

Minimum number of blocks in a region required to consider a pattern as a clone, specified as a `uint32` integer.

This property applies only when `DetectClonesAcrossModel` is `true`.

**MinimumCloneGroupSize — Minimum number of clone pattern occurrences**

uint32

Minimum number of clone pattern occurrences required to consider a pattern as a clone group, specified as a `uint32` integer.

**ExcludeInactiveRegions — Exclude inactive or commented-out regions**

false or 0 | true or 1

Option to exclude inactive regions or commented-out regions from search clone patterns, specified as `false` or `true`.

**Methods****Public Methods**

|                              |                             |
|------------------------------|-----------------------------|
| <code>addLibraries</code>    | Add library with subsystems |
| <code>removeLibraries</code> | Remove library              |
| <code>addFolders</code>      | Add folders with models     |
| <code>removeFolders</code>   | Remove folder               |

## Examples

### Create Settings Object for Clone Detection Operations

This example shows how to create `cloneDetectionSettings` object from `Simulink.CloneDetection.Settings` class for clone detection operation and change the property of `IgnoreSignalName` to `true` for ignoring the signal name differences while detecting clones.

- `cloneDetectionSettings = Simulink.CloneDetection.Settings();`  
`cloneDetectionSettings.IgnoreSignalName = true`

```
cloneDetectionSettings =
```

```
Settings with properties:
```

```
IgnoreSignalName: 1
IgnoreBlockProperty: 0
ExcludeModelReferences: 0
ExcludeLibraryLinks: 0
SelectedSystemBoundary: ''
FindClonesRecursivelyInFolders: 1
ParamDifferenceThreshold: 50
ReplaceExactClonesWithSubsystemReference: 0
Libraries: {}
Folders: {}
DetectClonesAcrossModel: 0
ExcludeInactiveRegions: 0
```

### See Also

[Simulink.CloneDetection.Results](#) | [Simulink.CloneDetection.ReplacementConfig](#) | [Simulink.CloneDetection.ReplacementResults](#)

**Introduced in R2021a**

# addLibraries

**Class:** Simulink.CloneDetection.Settings

**Package:** Simulink.CloneDetection

Add library with subsystems

## Syntax

```
cloneDetectionSettings = cloneDetectionSettings.addLibraries(LibraryName)
```

## Description

`cloneDetectionSettings = cloneDetectionSettings.addLibraries(LibraryName)` adds library file to the `cloneDetectionSettings` object.

## Input Arguments

### LibraryName — Library file name

character vector

Name of the library file, specified as a character vector.

## Output Arguments

### cloneDetectionSettings — Configuration to find clones

Simulink.CloneDetection.Settings object

Clone Detection Settings, specified as a `Simulink.CloneDetection.Settings` object.

## Examples

- This example shows how to add a library file to `cloneDetectionSettings` object for matching the library subsystem clones. The library file is `TestLib_1`.

```
libName = 'TestLib_1';

cloneDetectionSettings = Simulink.CloneDetection.Settings();
cloneDetectionSettings = cloneDetectionSettings.addLibraries(libName);

cloneDetectionSettings =
 Settings with properties:
 IgnoreSignalName: 0
 IgnoreBlockProperty: 0
 ExcludeModelReferences: 0
 ExcludeLibraryLinks: 0
 ExcludeInactiveRegions: 0
 ParamDifferenceThreshold: 50
 ReplaceExactClonesWithSubsystemReference: 0
 Libraries: {'C:\Users\Desktop\ex_clone_detection\TestLib_1.slx'}
```

**See Also**

`Simulink.CloneDetection.Settings` |

`Simulink.CloneDetection.Settings.removeLibraries`



# removeLibraries

**Class:** Simulink.CloneDetection.Settings

**Package:** Simulink.CloneDetection

Remove library

## Syntax

```
cloneDetectionSettings = cloneDetectionSettings.removeLibraries(LibraryName)
```

## Description

`cloneDetectionSettings = cloneDetectionSettings.removeLibraries(LibraryName)` removes library from `cloneDetectionSettings` object.

## Input Arguments

### LibraryName — Library file name

character vector

Name of the library file, specified as a character vector.

## Output Arguments

### cloneDetectionSettings — Configuration to find clones

Simulink.CloneDetection.Settings object

Clone Detection Settings, specified as a `Simulink.CloneDetection.Settings` object.

## Examples

- This example shows how to remove a library file from `cloneDetectionSettings` object which is already added. The library file is `TestLib_1`.

```
cloneDetectionSettings = cloneDetectionSettings.removeLibraries(libName)
```

```
cloneDetectionSettings =
 Settings with properties:
 IgnoreSignalName: 0
 IgnoreBlockProperty: 0
 ExcludeModelReferences: 0
 ExcludeLibraryLinks: 0
 ExcludeInactiveRegions: 0
 ParamDifferenceThreshold: 50
 ReplaceExactClonesWithSubsystemReference: 0
 Libraries: {}
```

## See Also

`Simulink.CloneDetection.Settings` |

`Simulink.CloneDetection.Settings.addLibraries`

## addFolders

**Class:** Simulink.CloneDetection.Settings

**Package:** Simulink.CloneDetection

Add folders with models

### Syntax

```
cloneDetectionSettings = cloneDetectionSettings.addFolders(FolderName)
```

### Description

`cloneDetectionSettings = cloneDetectionSettings.addFolders(FolderName)` adds folder path to the `cloneDetectionSettings` object.

### Input Arguments

#### FolderName — Folder name

character vector

Name or path of the folder, specified as a character vector.

### Output Arguments

#### cloneDetectionSettings — Configuration to find clones

Simulink.CloneDetection.Settings object

Clone Detection Settings, specified as a Simulink.CloneDetection.Settings object.

### Examples

- This example shows how to add a Folder to `cloneDetectionSettings` object for finding the clones from the models inside the folder. The folder name is `Folders1`.

```
FolderName = 'Folders1';

cloneDetectionSettings = Simulink.CloneDetection.Settings();
cloneDetectionSettings = cloneDetectionSettings.addFolders(FolderName);

cloneDetectionSettings =
 Settings with properties:
 IgnoreSignalName: 0
 IgnoreBlockProperty: 0
 ExcludeModelReferences: 0
 ExcludeLibraryLinks: 0
 SelectedSystemBoundary: []
 FindClonesRecursivelyInFolders: 1
 ParamDifferenceThreshold: 50
 ReplaceExactClonesWithSubsystemReference: 0
 Libraries: {}
 Folders: {'C:\Users\Folders1'}
 DetectClonesAcrossModel: 0
 ExcludeInactiveRegions: 0
```

## **See Also**

`Simulink.CloneDetection.Settings` |

`Simulink.CloneDetection.Settings.removeFolders`

## removeFolders

**Class:** Simulink.CloneDetection.Settings

**Package:** Simulink.CloneDetection

Remove folder

### Syntax

```
cloneDetectionSettings = cloneDetectionSettings.removeFolders(FolderName)
```

### Description

`cloneDetectionSettings = cloneDetectionSettings.removeFolders(FolderName)` removes folder from `cloneDetectionSettings` object.

### Input Arguments

#### FolderName — Folder name

character vector

Name of the folder, specified as a character vector.

### Output Arguments

#### cloneDetectionSettings — Configuration to find clones

Simulink.CloneDetection.Settings object

Clone Detection Settings, specified as a `Simulink.CloneDetection.Settings` object.

### Examples

- This example shows how to remove a folder from `cloneDetectionSettings` object which is already added. The folder name is `Folder1`.

```
FolderName = 'Folder1';
cloneDetectionSettings = cloneDetectionSettings.removeFolders(FolderName)

cloneDetectionSettings =
 Settings with properties:
 IgnoreSignalName: 0
 IgnoreBlockProperty: 0
 ExcludeModelReferences: 0
 ExcludeLibraryLinks: 0
 SelectedSystemBoundary: []
 FindClonesRecursivelyInFolders: 1
 ParamDifferenceThreshold: 50
 ReplaceExactClonesWithSubsystemReference: 0
 Libraries: {}
 Folders: {}
 DetectClonesAcrossModel: 0
 ExcludeInactiveRegions: 0
```

## **See Also**

`Simulink.CloneDetection.Settings` | `Simulink.CloneDetection.Settings.addFolders`

# addCloneToIgnoreList

**Class:** Simulink.CloneDetection.ReplacementConfig

**Package:** Simulink.CloneDetection

Add subsystem to clone replacement ignore list

## Syntax

```
cloneReplacementSettings.addCloneToIgnoreList(subsystemName)
```

## Description

`cloneReplacementSettings.addCloneToIgnoreList(subsystemName)` adds the specified subsystem name to the clone replacement ignore list associated with the `CloneReplacementSettings` object.

## Input Arguments

**subsystemName** — Subsystem name

character vector

Name of the subsystem, specified as a character vector.

## Examples

### Add Subsystem to Clone Replacement Ignore List

- ```
cloneReplacementConfig = Simulink.CloneDetection.ReplacementConfig();
cloneReplacementConfig.addCloneToIgnoreList('ex_clone_detection_E/Subsystem1');

cloneReplacementConfig =
    ReplacementConfig with properties:
        LibraryNameToAddSubsystemsTo: 'newLibraryFile'
        IgnoredClones: {'ex_clone_detection_E/Subsystem1'}
```

See Also

[Simulink.CloneDetection.ReplacementConfig](#) |

[Simulink.CloneDetection.ReplacementConfig.removeCloneFromIgnoreList](#)

removeCloneFromIgnoreList

Class: Simulink.CloneDetection.ReplacementConfig

Package: Simulink.CloneDetection

Remove subsystem from clone replacement ignore list

Syntax

```
cloneReplacementSettings.removeCloneFromIgnoreList(subsystemName)
```

Description

`cloneReplacementSettings.removeCloneFromIgnoreList(subsystemName)` removes the specified subsystem from the clone replacement ignore list associated with the `CloneReplacementSettings` object.

Input Arguments

subsystemName — Subsystem name

character vector

Name of the subsystem, specified as a character vector.

Examples

Remove Subsystem from Clone Replacement Ignore List

- `cloneReplacementConfig.removeCloneFromIgnoreList('ex_clone_detection_E/Subsystem1');`

See Also

`Simulink.CloneDetection.ReplacementConfig` |

`Simulink.CloneDetection.ReplacementConfig.addCloneToIgnoreList`

Simulink.CloneDetection.EquivalencyCheckResults class

Package: Simulink.CloneDetection

Results of equivalency check

Description

Use objects of the Simulink.CloneDetection.EquivalencyCheckResults class to view the results of an equivalency check.

Creation

Description

The Simulink.CloneDetection.checkEquivalency function creates an object of the Simulink.CloneDetection.EquivalencyCheckResults class when executed.

Properties

List — Equivalency check results

structure

Equivalency check results, specified as a structure.

IsEquivalencyPassed — Equivalency results

true | false

Pass result of equivalency check operation, specified as true or false.

OriginalModel — Model used for clone replacement

character array

Model used for clone replacement, specified as a character array.

UpdatedModel — Updated model

character array

Updated model with clones replaced, specified as a character array.

Examples

View Results of a Check Equivalency Operation

- `equivalencyCheckResults = Simulink.CloneDetection.checkEquivalency(cloneReplacementResults)`
`equivalencyCheckResults.List`


```
equivalencyCheckResults.List =  
  struct with fields:  
    IsEquivalencyCheckPassed: 1  
    OriginalModel: 'm2m_ex_clone_detection_E/snapshot_2020_12_21_16_35_06_ex_clone_detection_E.slx'  
    UpdatedModel: 'ex_clone_detection_E.slx'
```

See Also

[Simulink.CloneDetection.Settings](#) | [Simulink.CloneDetection.ReplacementConfig](#) | [Simulink.CloneDetection.Results](#)

Introduced in R2021a

Advisor.getExclusion

Package: Advisor

Get exclusion information for a model or a file

Syntax

```
Advisor.getExclusion('modelname')  
Advisor.getExclusion('modelname', 'Name, Value')
```

Description

`Advisor.getExclusion('modelname')` displays the exclusion data of the model.

`Advisor.getExclusion('modelname', 'Name, Value')` displays the exclusion data of an entity in the model. This can be a block, a Subsystem or a stateflow entity also.

Note If the checks property in the displayed result is `.*`, then the model object is excluded from all checks.

Input Arguments

modelname — Model name

string | character vector

Model name to display all the exclusions.

Example: `Advisor.getExclusion('vdp');`

Name-Value Pair Arguments

Specify optional comma-separated pairs of **Name**, **Value** arguments. **Name** is the argument name and **Value** is the corresponding value. **Name** must appear inside quotes. You can only specify a single Name-Value pair argument.

Example: `Advisor.getExclusion('vdp', 'BlockType', 'Integrator');`

Block — Name of the block

string | character vector

This is an optional argument of type **Filter**. You can limit your exclusion results to a particular block in the model using this argument.

Example: `Advisor.getExclusion('vdp', 'Block', 'vdp:2');`

BlockType — Type of the block

string | character vector

This is an optional argument of type **Filter**. You can limit your exclusion results to a particular blocktype in the model using this argument.

Example: `Advisor.getExclusion('vdp', 'BlockType', 'Integrator');`

Subsystem — Name or SID of Subsystem

string | character vector

This is an optional argument of type **Filter**. You can fetch the exclusions applied to a subsystem in the model using this argument.

Example: `Advisor.getExclusion('vdp', 'Subsystem', 'vdp:6');`

Library — Name or SID of Library

string | character vector

This is an optional argument of type **Filter**. You can fetch the exclusions applied to a Library in the model using this argument.

Example: `Advisor.getExclusion('vdp', 'Library', 'mCustomlib:6');`

MaskType — Mask name applied to a Subsystem

string | character vector

This is an optional argument of type **Filter**. You can fetch the exclusions applied to a Subsystem with a specific mask type in the model using this argument.

Example: `Advisor.getExclusion('vdp', 'MaskType', 'gearSystem');`

Stateflow — Stateflow blocks imported to Simulink

string | character vector

This is an optional argument of type **Filter**. You can fetch the exclusions applied to Stateflow blocks and Subsystems in the model using this argument.

Example: `Advisor.getExclusion('sldvdemo_cruise_control', 'Stateflow', 'sldvdemo_cruise_control:4');`

Chart — SID of Stateflow Chart

string | character vector

This is an optional argument of type **Filter**. You can fetch the exclusions applied to a Stateflow chart in the model using this argument.

Example: `Advisor.getExclusion('sldvdemo_cruise_control', 'Stateflow', 'sldvdemo_cruise_control:8');`

State — SID of Stateflow State

string | character vector

This is an optional argument of type **Filter**. You can fetch the exclusions applied to a Stateflow State in the model using this argument.

Example: `Advisor.getExclusion('sldvdemo_cruise_control', 'Stateflow', 'sldvdemo_cruise_control:8');`

Transition — SID of Stateflow Transition

string | character vector

This is an optional argument of type **Filter**. You can fetch the exclusions applied to a Stateflow Transition in the model using this argument.

Example: `Advisor.getExclusion('sldvdemo_cruise_control', 'Stateflow', 'sldvdemo_cruise_control:8');`

Junction – SID of Stateflow Junction

string | character vector

This is an optional argument of type **Filter**. You can fetch the exclusions applied to a Stateflow Junction in the model using this argument.

Example: `Advisor.getExclusion('sldvdemo_cruise_control', 'Stateflow, 'sldvdemo_cruise_control:8');`

GraphicalFunction – Graphical function inside Stateflow

string | character vector

This is an optional argument of type **Filter**. You can fetch the exclusions applied to a graphical function in Stateflow using this argument.

Example: `Advisor.getExclusion('sldvdemo_cruise_control', 'Stateflow, 'sldvdemo_cruise_control:8');`

MatlabFunction – MATLAB function inside Stateflow

string | character vector

This is an optional argument of type **Filter**. You can fetch the exclusions applied to a MATLAB function in Stateflow using this argument.

Example: `Advisor.getExclusion('sldvdemo_cruise_control', 'Stateflow, 'sldvdemo_cruise_control:8');`

SimulinkFunction – Simulink function inside Stateflow

string | character vector

This is an optional argument of type **Filter**. You can fetch the exclusions applied to a Simulink function inside Stateflow using this argument.

Example: `Advisor.getExclusion('sldvdemo_cruise_control', 'Stateflow, 'sldvdemo_cruise_control:8');`

TruthTable – Stateflow Truth Table

string | character vector

This is an optional argument of type **Filter**. You can fetch the exclusions applied to a Stateflow Truth Table in the model using this argument.

Example: `Advisor.getExclusion('sldvdemo_cruise_control', 'Stateflow, 'sldvdemo_cruise_control:8');`

SimulinkBasedState – Simulink based state in Stateflow

string | character vector

This is an optional argument of type **Filter**. You can fetch the exclusions applied to a Simulink based state in Stateflow using this argument.

Example: `Advisor.getExclusion('sldvdemo_cruise_control', 'Stateflow, 'sldvdemo_cruise_control:8');`

See Also

`Advisor.addExclusion` | `Advisor.removeExclusion` | `Advisor.clearExclusion` | `Advisor.saveExclusion` | `Advisor.loadExclusion`

Introduced in R2021a

Advisor.addExclusion

Package: Advisor

Add exclusions to a model or a file

Syntax

```
Advisor.addExclusion('modelName', 'Name,Value')
```

Description

`Advisor.addExclusion('modelName', 'Name,Value')` (the first name-value pair in the syntax should be of **Filter** type argument) adds an exclusion to an entity in the model. This can be a block, a Subsystem or a stateflow entity.

Input Arguments

modelName — Model name

string | character vector

Model name to display all the exclusions.

Name-Value Pair Arguments

Specify optional comma-separated pairs of **Name**, **Value** arguments. **Name** is the argument name and **Value** is the corresponding value. **Name** must appear inside quotes. You can add any number of name-value pairs in the arguments provided that **Filter** type name-value pair is used only once.

Example: `Advisor.addExclusion('vdp', 'BlockType', 'Integrator', 'checks', {'mathworks.jmaab.jc_0231', 'mathworks.jmaab.jc_0222'}, 'validateChecks', true);`

Block — Name of the block

string | character vector

This is an optional argument of type **Filter**. You can add exclusions to a particular block in the model using this argument.

Example: `Advisor.addExclusion('vdp', 'Block', 'vdp:2');`

BlockType — Type of the block

string | character vector

This is an optional argument of type **Filter**. You can add exclusions to a particular blocktype in the model using this argument.

Example: `Advisor.addExclusion('vdp', 'BlockType', 'Integrator');`

Subsystem — Name or SID of Subsystem

string | character vector

This is an optional argument of type **Filter**. You can add exclusions to a subsystem in the model using this argument.

Example: `Advisor.addExclusion('vdp', 'Subsystem', 'vdp:6');`

Library — Name or SID of Library

string | character vector

This is an optional argument of type **Filter**. You can add exclusions to a Library in the model using this argument.

Example: `Advisor.addExclusion('vdp', 'Library', 'mCustomlib:6');`

MaskType — Mask name to a Subsystem

string | character vector

This is an optional argument of type **Filter**. You can add exclusions to a Subsystem with a specific mask type in the model using this argument.

Example: `Advisor.addExclusion('vdp', 'MaskType', 'gearSystem');`

Stateflow — Stateflow blocks imported to Simulink

string | character vector

This is an optional argument of type **Filter**. You can add exclusions to Stateflow blocks and Subsystems in the model using this argument.

Example: `Advisor.addExclusion('sldvdemo_cruise_control', 'Stateflow', 'sldvdemo_cruise_control:4');`

Chart — SID of Stateflow Chart

string | character vector

This is an optional argument of type **Filter**. You can add exclusions to a Stateflow chart in the model using this argument.

Example: `Advisor.addExclusion('sldvdemo_cruise_control', 'Stateflow', 'sldvdemo_cruise_control:8');`

State — SID of Stateflow State

string | character vector

This is an optional argument of type **Filter**. You can add exclusions to a Stateflow State in the model using this argument.

Example: `Advisor.addExclusion('sldvdemo_cruise_control', 'Stateflow', 'sldvdemo_cruise_control:8');`

Transition — SID of Stateflow Transition

string | character vector

This is an optional argument of type **Filter**. You can add exclusions to a Stateflow Transition in the model using this argument.

Example: `Advisor.addExclusion('sldvdemo_cruise_control', 'Stateflow', 'sldvdemo_cruise_control:8');`

Junction — SID of Stateflow Junction

string | character vector

This is an optional argument of type **Filter**. You can add exclusions to a Stateflow Junction in the model using this argument.

Example: `Advisor.addExclusion('sldvdemo_cruise_control', 'Stateflow', 'sldvdemo_cruise_control:8');`

GraphicalFunction — Graphical function inside Stateflow

string | character vector

This is an optional argument of type **Filter**. You can add exclusions to a graphical function in Stateflow using this argument.

Example: `Advisor.addExclusion('sldvdemo_cruise_control', 'Stateflow', 'sldvdemo_cruise_control:8');`

MatlabFunction — MATLAB function inside Stateflow

string | character vector

This is an optional argument of type **Filter**. You can add exclusions to a MATLAB function in Stateflow using this argument.

Example: `Advisor.addExclusion('sldvdemo_cruise_control', 'Stateflow', 'sldvdemo_cruise_control:8');`

SimulinkFunction — Simulink function inside Stateflow

string | character vector

This is an optional argument of type **Filter**. You can add exclusions to a Simulink function inside Stateflow using this argument.

Example: `Advisor.addExclusion('sldvdemo_cruise_control', 'Stateflow', 'sldvdemo_cruise_control:8');`

TruthTable — Stateflow Truth Table

string | character vector

This is an optional argument of type **Filter**. You can add exclusions to a Stateflow Truth Table in the model using this argument.

Example: `Advisor.addExclusion('sldvdemo_cruise_control', 'Stateflow', 'sldvdemo_cruise_control:8');`

SimulinkBasedState — Simulink based state in Stateflow

string | character vector

This is an optional argument of type **Filter**. You can add exclusions to a Simulink based state in Stateflow using this argument.

Example: `Advisor.addExclusion('sldvdemo_cruise_control', 'Stateflow', 'sldvdemo_cruise_control:8');`

checks — Check IDs to add exclusions

string | character vector

This is an optional argument. Using this argument you can add exclusions only to selected checks.

If this name-value pair is not used in the input arguments, then the model object will be excluded from all the checks. By default, this option is set to all checks.

Example: `Advisor.addExclusion('vdp', 'Block', 'vdp:2', 'rationale', 'Block to be removed later', 'checks', {'mathworks.jmaab.jc_0231'});`

validateChecks — Validates exclusion support

false (default) | true

This is an optional argument. Using this argument you can validate if the selected checks support exclusions.

Example: `Advisor.addExclusion('vdp', 'BlockType', 'Integrator', 'checks', {'mathworks.jmaab.jc_0231', 'mathworks.jmaab.jc_0222'}, 'validateChecks', true);`

rationale — Reason for exclusion

string | character vector

This is an optional argument. Using this argument you can add a rationale (comment) when adding exclusions.

Example: `Advisor.addExclusion('vdp', 'Block', 'vdp:2', 'rationale', 'Block to be removed later', 'checks', {'mathworks.jmaab.jc_0231'})`;

See Also

`Advisor.removeExclusion` | `Advisor.clearExclusion` | `Advisor.getExclusion` | `Advisor.saveExclusion` | `Advisor.loadExclusion`

Introduced in R2021a

Advisor.removeExclusion

Package: Advisor

Removes exclusions for a model or a file

Syntax

```
Advisor.removeExclusion('modelName', 'Name,Value')
```

Description

`Advisor.removeExclusion('modelName', 'Name,Value')` removes the exclusions of Filter type in the model.

Input Arguments

modelName — Model name

string | character vector

Model name to remove the exclusions.

Name-Value Pair Arguments

Specify optional comma-separated pairs of `Name, Value` arguments. `Name` is the argument name and `Value` is the corresponding value. `Name` must appear inside quotes. You can only specify a single Name-Value pair argument.

Example: `Advisor.removeExclusion('vdp', 'BlockType', 'Integrator');`

Block — Name of the block

string | character vector

This is an optional argument of type **Filter**. You can remove exclusions for a particular block in the model using this argument.

Example: `Advisor.getExclusion('vdp', 'Block', 'vdp:2');`

BlockType — Type of the block

string | character vector

This is an optional argument of type **Filter**. You can remove exclusions for a particular blocktype in the model using this argument.

Example: `Advisor.getExclusion('vdp', 'BlockType', 'Integrator');`

Subsystem — Name or SID of Subsystem

string | character vector

This is an optional argument of type **Filter**. You can remove the exclusions applied to a subsystem in the model using this argument.

Example: `Advisor.getExclusion('vdp', 'Subsystem', 'vdp:6');`

Library — Name or SID of Library

string | character vector

This is an optional argument of type **Filter**. You can remove the exclusions applied to a Library in the model using this argument.

Example: `Advisor.getExclusion('vdp', 'Library', 'mCustomlib:6');`

MaskType — Mask name applied to a Subsystem

string | character vector

This is an optional argument of type **Filter**. You can remove the exclusions applied to a Subsystem with a specific mask type in the model using this argument.

Example: `Advisor.getExclusion('vdp', 'MaskType', 'gearSystem');`

Stateflow — Stateflow blocks imported to Simulink

string | character vector

This is an optional argument of type **Filter**. You can remove the exclusions applied to Stateflow blocks and Subsystems in the model using this argument.

Example: `Advisor.getExclusion('sldvdemo_cruise_control', 'Stateflow', 'sldvdemo_cruise_control:4');`

Chart — SID of Stateflow Chart

string | character vector

This is an optional argument of type **Filter**. You can remove the exclusions applied to a Stateflow chart in the model using this argument.

Example: `Advisor.getExclusion('sldvdemo_cruise_control', 'Stateflow', 'sldvdemo_cruise_control:8');`

State — SID of Stateflow State

string | character vector

This is an optional argument of type **Filter**. You can remove the exclusions applied to a Stateflow State in the model using this argument.

Example: `Advisor.getExclusion('sldvdemo_cruise_control', 'Stateflow', 'sldvdemo_cruise_control:8');`

Transition — SID of Stateflow Transition

string | character vector

This is an optional argument of type **Filter**. You can remove the exclusions applied to a Stateflow Transition in the model using this argument.

Example: `Advisor.getExclusion('sldvdemo_cruise_control', 'Stateflow', 'sldvdemo_cruise_control:8');`

Junction — SID of Stateflow Junction

string | character vector

This is an optional argument of type **Filter**. You can remove the exclusions applied to a Stateflow Junction in the model using this argument.

Example: `Advisor.getExclusion('sldvdemo_cruise_control', 'Stateflow', 'sldvdemo_cruise_control:8');`

GraphicalFunction — Graphical function inside Stateflow

string | character vector

This is an optional argument of type **Filter**. You can remove the exclusions applied to a graphical function in Stateflow using this argument.

Example: `Advisor.getExclusion('sldvdemo_cruise_control', 'Stateflow', 'sldvdemo_cruise_control:8');`

MatlabFunction — MATLAB function inside Stateflow

string | character vector

This is an optional argument of type **Filter**. You can remove the exclusions applied to a MATLAB function in Stateflow using this argument.

Example: `Advisor.getExclusion('sldvdemo_cruise_control', 'Stateflow', 'sldvdemo_cruise_control:8');`

SimulinkFunction — Simulink function inside Stateflow

string | character vector

This is an optional argument of type **Filter**. You can remove the exclusions applied to a Simulink function inside Stateflow using this argument.

Example: `Advisor.getExclusion('sldvdemo_cruise_control', 'Stateflow', 'sldvdemo_cruise_control:8');`

TruthTable — Stateflow Truth Table

string | character vector

This is an optional argument of type **Filter**. You can remove the exclusions applied to a Stateflow Truth Table in the model using this argument.

Example: `Advisor.getExclusion('sldvdemo_cruise_control', 'Stateflow', 'sldvdemo_cruise_control:8');`

SimulinkBasedState — Simulink based state in Stateflow

string | character vector

This is an optional argument of type **Filter**. You can remove the exclusions applied to a Simulink based state in Stateflow using this argument.

Example: `Advisor.getExclusion('sldvdemo_cruise_control', 'Stateflow', 'sldvdemo_cruise_control:8');`

Object — Exclusion object

Object

This is an optional argument. You can remove an exclusion in the model by providing the exclusion object. It can deduce the type and identifier by itself.

Example:

```
allExclusions = Advisor.getExclusion('vdp');
Advisor.removeExclusion('vdp', 'object', allExclusions(1));
```

See Also

`Advisor.addExclusion` | `Advisor.clearExclusion` | `Advisor.getExclusion` | `Advisor.saveExclusion` | `Advisor.loadExclusion`

Introduced in R2021a

Advisor.clearExclusion

Package: Advisor

Clear all exclusions from a model or a file

Syntax

```
Advisor.clearExclusion('modelname')
```

Description

`Advisor.clearExclusion('modelname')` clears all the exclusions in the model.

Input Arguments

modelname — Model name

string | character vector

Model name to clear all the exclusions.

See Also

`Advisor.addExclusion` | `Advisor.removeExclusion` | `Advisor.getExclusion` |
`Advisor.saveExclusion` | `Advisor.loadExclusion`

Introduced in R2021a

Advisor.saveExclusion

Package: Advisor

Save exclusions to the model or an external file

Syntax

```
Advisor.saveExclusion('modelName')  
Advisor.saveExclusion('modelName', ' ')  
Advisor.saveExclusion('modelName', 'path')
```

Description

`Advisor.saveExclusion('modelName')` saves the exclusions to the default option as mentioned in model parameter 'MAModelFilterFile'.

`Advisor.saveExclusion('modelName', ' ')` (second argument empty) saves the exclusions inside the model.

`Advisor.saveExclusion('modelName', 'path')` saves the exclusions to the selected path.

Input Arguments

modelName — Model name

string | character vector

Model name to display all the exclusions.

```
Advisor.saveExclusion('vdp')
```

path — Path to save the new exclusions.xml file

string | character vector

This is an optional parameter. You can use this parameter to save the exclusions to an external file.

```
Advisor.saveExclusion('vdp', 'C:\Documents\vdp_exclusion.xml')
```

See Also

`Advisor.addExclusion` | `Advisor.removeExclusion` | `Advisor.clearExclusion` |
`Advisor.getExclusion` | `Advisor.loadExclusion`

Introduced in R2021a

Advisor.loadExclusion

Package: Advisor

Load exclusions to a model or a file

Syntax

```
Advisor.loadExclusion('modelname', 'path')
```

Description

Advisor.loadExclusion('modelname', 'path') loads the exclusions from the selected path.

Input Arguments

modelname — Model name

string | character vector

Model name to load the exclusions.

path — Path to load the exclusions.xml file

string | character vector

You can use this parameter to load the exclusions from an external file.

```
Advisor.loadExclusion('vdp', 'C:\Documents\vdp_exclusion.xml')
```

See Also

Advisor.addExclusion | Advisor.removeExclusion | Advisor.clearExclusion |
Advisor.getExclusion | Advisor.saveExclusion

Introduced in R2021a

Simulink.ModelTransform.CommonSourceInterpolation.Results class

Package: Simulink.ModelTransform.CommonSourceInterpolation

Results of search for eligible Interpolation Using Prelookup blocks

Description

Use an object of the Simulink.ModelTransform.CommonSourceInterpolation.Results class to analyze the identified results of a search for eligible Interpolation Using Prelookup blocks.

Creation

Description

The Simulink.ModelTransform.CommonSourceInterpolation.identifyCandidates function creates an object of the Simulink.ModelTransform.CommonSourceInterpolation.Results class when executed. You can use this object as the input argument of the Simulink.ModelTransform.CommonSourceInterpolation.refactorModel function.

Note Do not change the properties of a Simulink.ModelTransform.CommonSourceInterpolation.Results object in order to avoid errors with model refactoring.

Properties

Candidates — Identified blocks information

structure

Identified Interpolation Using Prelookup blocks and Multiport Switch block, specified as a structure.

InterpolationPorts — Identified Interpolation Using Prelookup blocks

structure

Block and Port number, returned as a structure.

Block — Block names

array of characters

List of identified block names, specified as array of characters.

Port — Port number

uint32

List of port numbers of the identified blocks, specified as a uint32 integer

SwitchPorts — Identified Multiport Switch block

structure

Block and Port number, returned as a structure.

Block — Block names

array of characters

List of identified block names, specified as array of characters.

Port — Port number

uint32

List of port numbers of the identified blocks, specified as a uint32 integer

Examples**Analyze Results of Search for Eligible Interpolation Using Prelookup Blocks**

- This example shows how to analyze the results of a search for eligible Interpolation Using Prelookup blocks. The function stores the information in a variable called `transformResults`.

```
transformResults = Simulink.ModelTransform.CommonSourceInterpolation.identifyCandidates('ex_model_transformer')
```

```
transformResults =
```

```
Results with properties:
```

```
  Candidates: [1x1 struct]
```

```
transformResults.Candidates
```

```
struct with fields:
```

```
  InterpolationPorts: [4x1 struct]  
  SwitchPorts: [4x1 struct]
```

See Also

[Simulink.ModelTransform.CommonSourceInterpolation.identifyCandidates](#) on page 1-671 |
[Simulink.ModelTransform.CommonSourceInterpolation.refactorModel](#) on page 1-673 |
[Simulink.ModelTransform.CommonSourceInterpolation.RefactorResults](#)

Introduced in R2021b

Simulink.ModelTransform.CommonSourceInterpolation.RefactorResults class

Package: Simulink.ModelTransform.CommonSourceInterpolation

Refactored model results

Description

Use an object of the Simulink.ModelTransform.CommonSourceInterpolation.RefactorResults class to view the results of a refactored model after the Model Transformer removes redundant Interpolation Using Prelookup blocks.

Creation

Description

The Simulink.ModelTransform.CommonSourceInterpolation.refactorModel function creates an object of the Simulink.ModelTransform.CommonSourceInterpolation.RefactorResults class.

Properties

modelName — Refactored model name

character array

Name of the refactored model, specified as character array.

modelDirectory — Refactored model directory

character array

Name of the directory that the refactored model is saved, specified as character array.

traceabilityInfo — Map containing the refactored blocks info

container map

List of blocks in the refactored model, specified as container map.

Examples

View Results of a Refactored Model Operation

This example shows how to analyze the results of refactored model operation and store the information in a variable called refactorResults.

- refactorResults = Simulink.ModelTransform.CommonSourceInterpolation.RefactorResults(transformResults)

```
refactorResults =  
  RefactorResults with properties:  
    modelName: 'ex_model_transformer'  
    modelDirectory: ''  
    traceabilityInfo: [4x1 containers.Map]
```

See Also

[Simulink.ModelTransform.CommonSourceInterpolation.identifyCandidates](#) on page 1-671 |

[Simulink.ModelTransform.CommonSourceInterpolation.refactorModel](#) on page 1-673 |

[Simulink.ModelTransform.CommonSourceInterpolation.Results](#)

Introduced in R2021b

Simulink.ModelTransform.CommonSourceInterpolation.identifyCandidates

Identify eligible Interpolation Using Prelookup blocks to transform

Syntax

```
transformResults =
Simulink.ModelTransform.CommonSourceInterpolation.identifyCandidates(model)
transformResults =
Simulink.ModelTransform.CommonSourceInterpolation.identifyCandidates(model,
skipLibraryBlocks)
```

Description

```
transformResults =
Simulink.ModelTransform.CommonSourceInterpolation.identifyCandidates(model)
```

returns the Interpolation Using Prelookup blocks that the Model Transformer can transform in the specified model.

```
transformResults =
Simulink.ModelTransform.CommonSourceInterpolation.identifyCandidates(model,
skipLibraryBlocks)
```

additionally specifies whether to ignore library blocks.

Examples

Identify Common Source Interpolation Blocks

This example shows how to search a model for eligible Interpolation Using Prelookup blocks and store the results.

```
transformResults = Simulink.ModelTransform.CommonSourceInterpolation.identifyCandidates('ex_model_transformer')
transformResults =
  Results with properties:
    Candidates: [1x1 struct]
transformResults.Candidates =
  struct with fields:
    InterpolationPorts: [4x1 struct]
    SwitchPorts: [4x1 struct]
```

Input Arguments

model — Model name

character vector

Model name, specified as a character vector.

skipLibraryBlocks — Skip library blocks

false or 0 | true or 1

Option to skip library blocks for transformation, specified as a numeric or logical 1 (true) or 0 (false).

Output Arguments**transformResults — Identified Interpolation Using Prelookup blocks**

`Simulink.ModelTransform.CommonSourceInterpolation.Results` object

Identified redundant Interpolation Using Prelookup blocks, returned as a `Simulink.ModelTransform.CommonSourceInterpolation.Results` object.

See Also

“Improve Code Efficiency by Merging Multiple Interpolation Using Prelookup Blocks” | `Simulink.ModelTransform.CommonSourceInterpolation.refactorModel` on page 1-673

Introduced in R2021b

Simulink.ModelTransform.CommonSourceInterpolation.refactorModel

Replace Interpolation Using Prelookup blocks

Syntax

```
refactorResults =
Simulink.ModelTransform.CommonSourceInterpolation.refactorModel(
transformResults)
refactorResults =
Simulink.ModelTransform.CommonSourceInterpolation.refactorModel(
transformResults, preferredModelName)
```

Description

`refactorResults = Simulink.ModelTransform.CommonSourceInterpolation.refactorModel(transformResults)` replaces the specified group of Interpolation Using Prelookup blocks and returns the refactored model.

`refactorResults = Simulink.ModelTransform.CommonSourceInterpolation.refactorModel(transformResults, preferredModelName)` uses the `preferredModelName` to save the refactored model.

Examples

Refactor redundant Interpolation Using Prelookup Blocks

This example shows how to replace the identified Interpolation Using Prelookup blocks in a model and store the refactored model in the variable, `refactorResults`.

```
refactorResults = Simulink.ModelTransform.CommonSourceInterpolation.RefactorResults(transformResults)
refactorResults =
```

RefactorResults with properties:

```
ModelName: 'ex_model_transformer'
ModelDirectory: ''
TraceabilityInfo: [4x1 containers.Map]
```

Input Arguments

transformResults — Identified Interpolation Using Prelookup blocks

`Simulink.ModelTransform.CommonSourceInterpolation.Results` object

Identified group of redundant Interpolation Using Prelookup blocks, specified as a `Simulink.ModelTransform.CommonSourceInterpolation.Results` object.

preferredModelName — Model name to use for refactored model

character vector

Model name to use for the refactored model, specified as a character vector.

Output Arguments

refactorResults — Refactored model

`Simulink.ModelTransform.CommonSourceInterpolation.RefactorResults` object

Refactored model, returned as a

`Simulink.ModelTransform.CommonSourceInterpolation.RefactorResults` object.

See Also

“Improve Code Efficiency by Merging Multiple Interpolation Using Prelookup Blocks” | `Simulink.ModelTransform.CommonSourceInterpolation.identifyCandidates` on page 1-671

Introduced in R2021b

Simulink.CloneDetection.highlightClone

Highlight clone in a Simulink model

Syntax

```
Simulink.CloneDetection.highlightClone(cloneResults, subsystem)
```

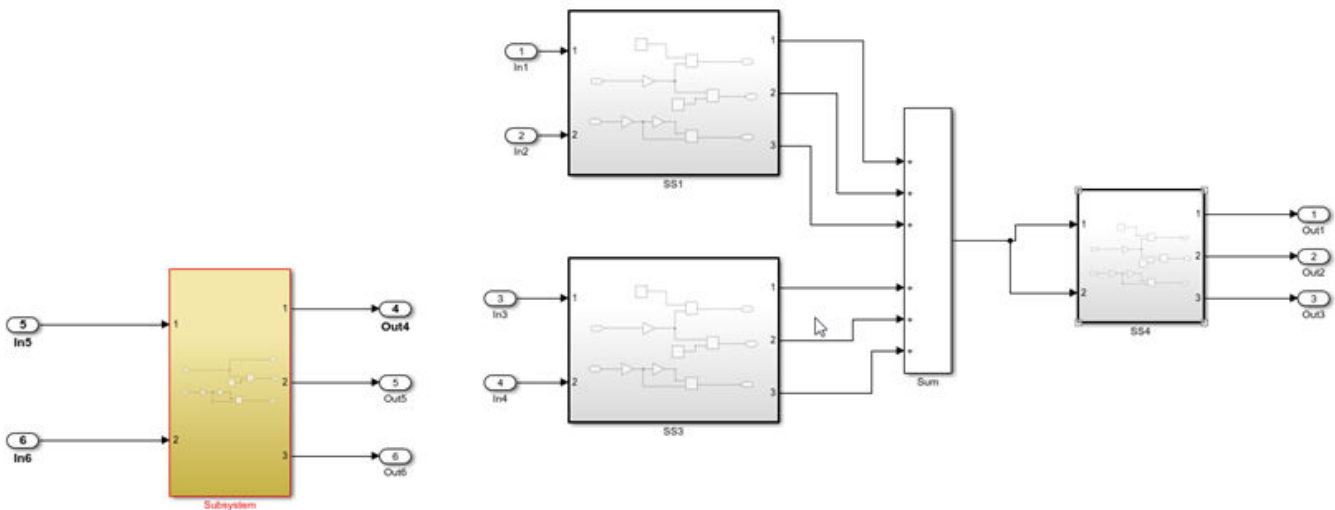
Description

`Simulink.CloneDetection.highlightClone(cloneResults, subsystem)` opens the Simulink model used in `findClones` function and highlights the subsystem specified. If the specified model is not open, this command opens it.

Examples

Highlight Clone in a Model

```
Simulink.CloneDetection.highlightClone(cloneResults, 'ex_clone_detection/Subsystem')
```



Copyright 2017 The MathWorks Inc.

Input Arguments

cloneResults — Results of clone detection operation

Simulink.CloneDetection.Results object

Results of a find clones operation, specified as a `Simulink.CloneDetection.Results` object.

subsystem — Model and Subsystem name

character vector

Subsystem path in a model, specified as a character vector.

See Also

Detect and Replace Clones Programmatically | `Simulink.CloneDetection.findClones` on page 1-627 | `Simulink.CloneDetection.replaceClones` on page 1-629

Introduced in R2021b

SLSlicerAPI.ParameterDependence class

Package: SLSlicerAPI

Class to determine the impact of parameters on a Simulink Model

Description

The SLSlicerAPI.ParameterDependence class displays the dependency between parameters and the model from the MATLAB command line. You can use SLSlicerAPI.ParameterDependence class to:

- Find parameters which impact a particular block.
- Find blocks which are affected by a particular parameter.

Creation

`pd=slicerObj.parameterDependence` creates an object of SLSlicerAPI.ParameterDependence for the model used to construct `slicerObj`.

Properties

Public Properties

slicerObj — Object of SLSlicerAPI.SLSlicer

Contains an instance of slicer object used to create pd object, also keeps track of analysis.

Example:

```
slicerObj = slslicer('f14');
```

Data Types: SLSlicerAPI.SLSlicer object

Methods

Public Methods

<code>parametersAffectingblocks</code>	Finds parameters that impact a Simulink block
<code>blocksAffectedByParameters</code>	Finds the Simulink blocks affected by a parameter

See Also

`parametersAffectingBlock` | `blocksAffectedByParameter` | `slslicer` | `SLSlicerAPI.SLSlicer`

Introduced in R2021b

blocksAffectedByParameter

Class: SLSlicerAPI.ParameterDependence

Package: SLSlicerAPI

Finds the Simulink blocks affected by a parameter

Syntax

```
[affectedBlocks,slicerObj] = blocksAffectedByParameter(pd,varUsage)
```

Description

[affectedBlocks,slicerObj] = blocksAffectedByParameter(pd,varUsage) lists the blocks that are impacted by the parameter.

Input Arguments

pd — Object of SLSlicerAPI.ParameterDependence class

Encapsulates the functions which calculate the dependencies between parameters and model.

Example:

```
slicerObj = slslicer(model);  
pd = slicerObj.parameterDependence;
```

Data Types: SLSlicerAPI.ParameterDependence Object

varUsage — Object of Simulink.VariableUsage

varUsage represents the parameters to query that affect the Simulink blocks in the model.

Example:

```
varUsage = Simulink.VariableUsage('firstParam','base workspace');
```

Data Types: Simulink.VariableUsage Object

Examples

```
[affectedBlocks, slicerObj] = blocksAffectedByParameter(pd, variableUsage);
```

See Also

SLSlicerAPI.parameterDependence | parametersAffectingBlock

Introduced in R2021b

parametersAffectingBlock

Class: SLSlicerAPI.ParameterDependence

Package: SLSlicerAPI

Finds parameters that impact a Simulink block

Syntax

```
[params,slicerObj] = parametersAffectingBlock(pd,block)
```

Description

[params,slicerObj] = parametersAffectingBlock(pd,block) lists the parameters that are impact a selected Simulink block.

Input Arguments

pd — Object of SLSlicerAPI.ParameterDependence

Encapsulates the functions which calculate the dependencies between parameters and model.

Example:

```
slicerObj = slslicer(model);  
pd = slicerObj.parameterDependence;
```

Data Types: SLSlicerAPI.ParameterDependence Object

block — Simulink block name/handle/SID

Simulink block for analyzing the parameter dependencies.

Data Types: handle | string | character vector

Examples

```
[params, slicerObj] = parametersAffectingBlock(pd, 'blockA');
```

See Also

SLSlicerAPI.parameterDependence | blocksAffectedByParameter

Introduced in R2021b

ModelAdvisor.EdittimeCheck class

Package: ModelAdvisor

Abstract base class for creating edit-time checks

Description

Derive classes from the `ModelAdvisor.EdittimeCheck` abstract base class to create custom edit-time checks. To create a custom edit-time check, create a MATLAB class that derives from the abstract base class. Then, create a check definition function that includes a handle to your class and register the custom edit-time check using an `sl_customization` function.

The `ModelAdvisor.EdittimeCheck` class is a handle class.

Class Attributes

Abstract	true
HandleCompatible	true

For information on class attributes, see “Class Attributes”.

Public Properties

checkID — Identifier for check

string

Identifier for the check, specified as a string. Set this property by using the `ModelAdvisor.Check` class that you create as part of your check definition function. The `checkID` property specifies the permanent, unique identifier for the check.

Example: "advisor.edittime.inoutnamelength"

Attributes:

GetAccess	protected
SetAccess	protected

TraversalType — How Model Advisor runs edit-time check

`edittimecheck.TraversalTypes.BLKITER` | `edittimecheck.TraversalTypes.ACTIVEGRAPH`

How, the Model Advisor runs the edit-time check, specified as one of these values:

- `edittimecheck.TraversalTypes.BLKITER` — The check runs on newly added blocks and blocks that you have edited. These edits include changes to block names, types, and parameter values.
- `edittimecheck.TraversalTypes.ACTIVEGRAPH` — The check runs on newly added blocks, blocks that you have edited, *and* other blocks at the same level as an edited or newly added block. Specify this traversal type property if your check must look at the whole subsystem or level of a model that a user is editing. For example, you specify this traversal type to check that a Trigger block is the top-most block in a subsystem because the check must look at other blocks within the subsystem to make this determination.

Example: `edditimecheck.TraversalTypes.BLKITER`

Attributes:

GetAccess	protected
SetAccess	protected

Methods

Protected Methods

<code>blockDiscovered</code>	Specify algorithm for identifying blocks that violate edit-time check
<code>finishedTraversal</code>	Specify edit-time check algorithm to run after <code>blockDiscovered</code> method
<code>fix</code>	Specify algorithm for fixing edit-time check block violations

Examples

Create Custom Edit-time Check for Inport and Outport Blocks

Create a custom edit-time check that checks that Inport and Outport blocks have certain colors depending on their output data types.

To register the custom edit-time check, create an `sl_customization` function. The `sl_customization` function accepts one argument, a customization manager object. To register the custom check, use the `addModelAdvisorCheckFcn` method. The input to this method is a handle to the check definition function. For this example, `defineCheck` is the check definition function. Create the `sl_customization` function and save it to your working folder.

```
function sl_customization(cm)
cm.addModelAdvisorCheckFcn(@defineCheck);
```

Create the check definition function. Inside the function, create a `ModelAdvisor.Check` object and specify the Check ID as an input argument. Then, specify the `ModelAdvisor.Check` Title and `CallbackHandle` properties. The `CallbackHandle` property is the name of the class that you create to define the edit-time check. For this example, `MyEditTimeChecks` is the package name and `PortColor` is the class name. Then, publish the check to a new folder in the Model Advisor. For this example, the folder name is **DEMO: Edit-time Checks**. For this example, create a `defineCheck` function and include the code below in it. Save the `defineCheck` function to your working folder.

```
function defineCheck
rec = ModelAdvisor.Check("advisor.edditimecheck.PortColor");
rec.Title = 'Check color of Inport and Outport blocks';
rec.CallbackHandle = 'MyEditTimeChecks.PortColor';
mdladvRoot = ModelAdvisor.Root;
mdladvRoot.publish(rec, 'DEMO: Edit-time Checks');
```

Create a class that derives from the `ModelAdvisor.EdittimeCheck` abstract base class. For this example, create a class file named `PortColor.m`. Copy the code below into the `PortColor.m` file. Then, create a folder named `+MyEditTimeChecks` and save the `PortColor.m` file in that folder. The class must be in a folder that has the same name as the package name.

The `PortColor` class defines three methods: `PortColor`, `blockDiscovered`, and `fix`. The `PortColor` method sets the `CheckId` and `TraversalType` properties. This check has a traversal type of `edditimecheck.TraversalTypes.BLKITER` because the check must check newly added and edited blocks, but it does not have to check for affected blocks in the same subsystem or model

as the edited or newly added blocks. The `blockDiscovered` method contains an algorithm that checks the color of Inport and Outport blocks. The `fix` method updates blocks that do not have correct colors.

```
classdef PortColor < ModelAdvisor.EdittimeCheck
    % Check that ports conform to software design standards for background color.
    %
    % Background Color          Data Types
    % orange                    Boolean
    % green                     all floating-point
    % cyan                      all integers
    % Light Blue                Enumerations and Bus Objects
    % white                     auto
    %

    methods
        % Set the Check ID and traversal type.
        function obj=PortColor(checkId)
            obj=obj@ModelAdvisor.EdittimeCheck(checkId);
            obj.traversalType = edittimecheck.TraversalTypes.BLKITER;
        end
        % Specify the edit-time check algorithm using the blockDiscovered method.
        function violation = blockDiscovered(obj, blk)
            violation = [];
            % To check when this check gets called, insert a breakpoint here.
            if strcmp(get_param(blk, 'BlockType'), 'Inport') || strcmp(get_param(blk, 'BlockType'), 'Outport')

                dataType = get_param(blk, 'OutDataTypeStr');
                currentBgColor = get_param(blk, 'BackgroundColor');

                if strcmp(dataType, 'boolean')
                    if ~strcmp(currentBgColor, 'orange')
                        % Create a violation object using the ModelAdvisor.ResultDetail class.
                        violation = ModelAdvisor.ResultDetail;
                        ModelAdvisor.ResultDetail.setData(violation, 'SID', Simulink.ID.getSID(blk));
                        violation.CheckID = obj.checkId;
                        violation.Description = 'Inport/Outport blocks with Boolean outputs should be orange.';
                        violation.title = 'Port Block Color';
                        violation.ViolationType = 'Warning';
                    end
                elseif any(strcmp({'single', 'double'}, dataType))
                    if ~strcmp(currentBgColor, 'green')
                        violation = ModelAdvisor.ResultDetail;
                        ModelAdvisor.ResultDetail.setData(violation, 'SID', Simulink.ID.getSID(blk));
                        violation.CheckID = obj.checkId;
                        violation.Description = 'Inport/Outport blocks with floating-point outputs should be green.';
                        violation.title = 'Port Block Color';
                        violation.ViolationType = 'Warning';
                    end
                elseif any(strcmp({'uint8', 'uint16', 'uint32', 'int8', 'int16', 'int32'}, dataType))
                    if ~strcmp(currentBgColor, 'cyan')
                        violation = ModelAdvisor.ResultDetail;
                        ModelAdvisor.ResultDetail.setData(violation, 'SID', Simulink.ID.getSID(blk));
                        violation.CheckID = obj.checkId;
                        violation.Description = 'Inport/Outport blocks with integer outputs should be cyan.';
                        violation.title = 'Port Block Color';
                        violation.ViolationType = 'Warning';
                    end
                elseif contains(dataType, 'Bus:')
                    if ~strcmp(currentBgColor, 'lightBlue')
                        violation = ModelAdvisor.ResultDetail;
                        ModelAdvisor.ResultDetail.setData(violation, 'SID', Simulink.ID.getSID(blk));
                        violation.CheckID = obj.checkId;
                        violation.Description = 'Inport/Outport blocks with bus outputs should be light blue.';
                        violation.title = 'Port Block Color';
                        violation.ViolationType = 'Warning';
                    end
                elseif contains(dataType, 'Enum:')
                    if ~strcmp(currentBgColor, 'lightBlue')
                        violation = ModelAdvisor.ResultDetail;
                    end
                end
            end
        end
    end
end
```

```

        ModelAdvisor.ResultDetail.setData(violation, 'SID', Simulink.ID.getSID(blk));
        violation.CheckID = obj.checkId;
        violation.Description = 'Inport/Outport blocks with enumeration outputs should be light blue.';
        violation.title = 'Port Block Color';
        violation.ViolationType = 'Warning';
    end
elseif contains(dataType, 'auto')
    if ~strcmp(currentBgColor, 'white')
        violation = ModelAdvisor.ResultDetail;
        ModelAdvisor.ResultDetail.setData(violation, 'SID', Simulink.ID.getSID(blk));
        violation.CheckID = obj.checkId;
        violation.Description = 'Inport/Outport blocks with auto outputs should be white.';
        violation.title = 'Port Block Color';
        violation.ViolationType = 'Warning';
    end
end
end
end

% Optionally, provide a fix for the violation object.
function success = fix(obj, violation)
    success = false;
    dataType = get_param(violation.Data, 'OutDataTypeStr');
    if strcmp(dataType, 'boolean')
        set_param(violation.Data, 'BackgroundColor', 'orange');
    elseif any(strcmp({'single', 'double'}, dataType))
        set_param(violation.Data, 'BackgroundColor', 'green');
    elseif any(strcmp({'uint8', 'uint16', 'uint32', 'int8', 'int16', 'int32'}, dataType))
        set_param(violation.Data, 'BackgroundColor', 'cyan');
    elseif contains(dataType, 'Bus:') || contains(dataType, 'Enum:')
        set_param(violation.Data, 'BackgroundColor', 'lightBlue');
    elseif contains(dataType, 'auto')
        set_param(violation.Data, 'BackgroundColor', 'white');
    end
    success = true;
end
end
end

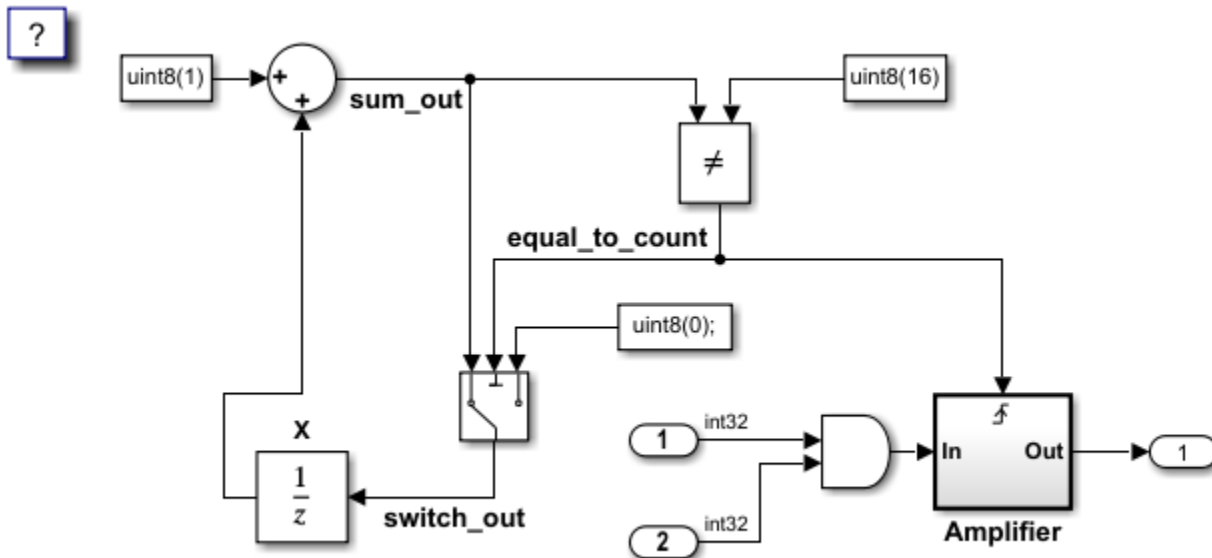
```

Refresh the Model Advisor to update the cache with the new check on the path.

```
Advisor.Manager.refresh_customizations
```

To use the check, copy the `AdvisorCustomizationExample.slx` model to your current working folder.

```
copyfile(fullfile(matlabroot, 'examples', 'slcheck', 'main', ...
'AdvisorCustomizationExample.slx'), 'AdvisorCustomizationExample.slx', 'f');
```



Open the Model Advisor Configuration Editor by clicking the **Modeling** tab and selecting **Model Advisor > Configuration Editor** or by entering this command at the command prompt:

```
Simulink.ModelAdvisor.openConfigUI;
```

Create a custom configuration that consists of the custom edit-time check. Save the configuration as `my_config.json`. Close the Model Advisor Configuration Editor. Set the custom configuration to the `my_config.json` file.

```
ModelAdvisor.setModelConfiguration('AdvisorCustomizationExample', 'my_config.json');
```

Turn on edit-time checking by clicking the **Modeling** tab and selecting **Model Advisor > Edit-Time Checks**. The Configuration Parameters dialog box opens and you select the **Edit-Time Checks** parameter. Alternatively, you can enter this command at the command prompt:

```
edittime.setAdvisorChecking('AdvisorCustomizationExample', 'on');
```

To view the edit-time warnings, click the blocks highlighted in yellow.

At the top level of the model, the two Inport blocks have an output data type of `int32`. They produce edit-time warnings because they should be cyan. The Outport block does not produce a violation because it has an auto data type and is white.

To fix the edit-time warnings, in an edit-time check warning window, click **Fix**.

See Also

`ModelAdvisor.Check`

Topics

“Define Custom Model Advisor Checks”

“Define Edit-Time Checks to Comply with Conditions that You Specify with the Model Advisor”

“Define Custom Edit-Time Checks that Fix Issues in Architecture Models”

Introduced in R2022a

blockDiscovered

Class: ModelAdvisor.EdittimeCheck

Package: ModelAdvisor

Specify algorithm for identifying blocks that violate edit-time check

Syntax

```
violation = blockDiscovered(obj,blk)
```

Description

`violation = blockDiscovered(obj,blk)` is for specifying an algorithm that checks for blocks, `blk` that violate the edit-time check, `obj` and then returns the blocks that violate the check, `violation`. The scope of blocks that the algorithm checks depends on the scope of changes that you make to your model and the value that you specify for the `TraversalType` property of the edit-time check object.

If the value of the `TraversalType` property is `edittimecheck.TraversalTypes.BLKITER`, the `blockDiscovered` method is called for new and edited blocks.

If the value of the `TraversalType` property is `edittimecheck.TraversalTypes.ACTIVEGRAPH`, the `blockDiscovered` method is called for every block at the same level of the model or subsystem that the user is viewing. The `finishedTraversal` method is also available to be called when the `blockDiscovered` method completes its traversal of blocks within one level of a model or subsystem.

Input Arguments

obj — Edit-time check object

object of a class that derives from the `ModelAdvisor.EdittimeCheck` class

Edit-time check, specified as an object of a class that derives from the `ModelAdvisor.Edittime` class

blk — Numeric handle of block

double

Numeric handle of the block to check for edit-time check violations.

Output Arguments

violation — Blocks that violate edit-time check

`ModelAdvisor.ResultDetail` | array of `ModelAdvisor.ResultDetail` objects

Blocks that violate the edit-time check, returned as a `ModelAdvisor.ResultDetail` object or an array of `ModelAdvisor.ResultDetail` objects.

Attributes

Access protected

To learn about attributes of methods, see Method Attributes.

Examples

Create Custom Edit-time Check for Inport and Outport Blocks

Create a custom edit-time check that checks that Inport and Outport blocks have certain colors depending on their output data types.

To register the custom edit-time check, create an `sl_customization` function. The `sl_customization` function accepts one argument, a customization manager object. To register the custom check, use the `addModelAdvisorCheckFcn` method. The input to this method is a handle to the check definition function. For this example, `defineCheck` is the check definition function. Create the `sl_customization` function and save it to your working folder.

```
function sl_customization(cm)
cm.addModelAdvisorCheckFcn(@defineCheck);
```

Create the check definition function. Inside the function, create a `ModelAdvisor.Check` object and specify the Check ID as an input argument. Then, specify the `ModelAdvisor.Check` Title and `CallbackHandle` properties. The `CallbackHandle` property is the name of the class that you create to define the edit-time check. For this example, `MyEditTimeChecks` is the package name and `PortColor` is the class name. Then, publish the check to a new folder in the Model Advisor. For this example, the folder name is **DEMO: Edit-time Checks**. For this example, create a `defineCheck` function and include the code below in it. Save the `defineCheck` function to your working folder.

```
function defineCheck
rec = ModelAdvisor.Check("advisor.edittimecheck.PortColor");
rec.Title = 'Check color of Inport and Outport blocks';
rec.CallbackHandle = 'MyEditTimeChecks.PortColor';
mdladvRoot = ModelAdvisor.Root;
mdladvRoot.publish(rec, 'DEMO: Edit-time Checks');
```

Create a class that derives from the `ModelAdvisor.EdittimeCheck` abstract base class. For this example, create a class file named `PortColor.m`. Copy the code below into the `PortColor.m` file. Then, create a folder named `+MyEditTimeChecks` and save the `PortColor.m` file in that folder. The class must be in a folder that has the same name as the package name.

The `PortColor` class defines three methods: `PortColor`, `blockDiscovered`, and `fix`. The `PortColor` method sets the `CheckId` and `TraversalType` properties. This check has a traversal type of `edittimecheck.TraversalTypes.BLKITER` because the check must check newly added and edited blocks, but it does not have to check for affected blocks in the same subsystem or model as the edited or newly added blocks. The `blockDiscovered` method contains an algorithm that checks the color of Inport and Outport blocks. The `fix` method updates blocks that do not have correct colors.

```
classdef PortColor < ModelAdvisor.EdittimeCheck
% Check that ports conform to software design standards for background color.
%
% Background Color          Data Types
% orange                    Boolean
% green                      all floating-point
```

```

% cyan                all integers
% Light Blue         Enumerations and Bus Objects
% white              auto
%

methods
% Set the Check ID and traversal type.
function obj=PortColor(checkId)
    obj=obj@ModelAdvisor.EdittimeCheck(checkId);
    obj.traversalType = edittimecheck.TraversalTypes.BLKITER;
end
% Specify the edit-time check algorithm using the blockDiscovered method.
function violation = blockDiscovered(obj, blk)
    violation = [];
    % To check when this check gets called, insert a breakpoint here.
    if strcmp(get_param(blk,'BlockType'),'Inport') || strcmp(get_param(blk,'BlockType'),'Output')

        dataType = get_param(blk,'OutDataTypeStr');
        currentBgColor = get_param(blk,'BackgroundColor');

        if strcmp(dataType,'boolean')
            if ~strcmp(currentBgColor, 'orange')
                % Create a violation object using the ModelAdvisor.ResultDetail class.
                violation = ModelAdvisor.ResultDetail;
                ModelAdvisor.ResultDetail.setData(violation,'SID',Simulink.ID.getSID(blk));
                violation.CheckID = obj.checkId;
                violation.Description = 'Inport/Output blocks with Boolean outputs should be orange.';
                violation.title = 'Port Block Color';
                violation.ViolationType = 'Warning';
            end
        elseif any(strcmp({'single','double'},dataType))
            if ~strcmp(currentBgColor, 'green')
                violation = ModelAdvisor.ResultDetail;
                ModelAdvisor.ResultDetail.setData(violation,'SID',Simulink.ID.getSID(blk));
                violation.CheckID = obj.checkId;
                violation.Description = 'Inport/Output blocks with floating-point outputs should be green.';
                violation.title = 'Port Block Color';
                violation.ViolationType = 'Warning';
            end
        elseif any(strcmp({'uint8','uint16','uint32','int8','int16','int32'}, dataType))
            if ~strcmp(currentBgColor, 'cyan')
                violation = ModelAdvisor.ResultDetail;
                ModelAdvisor.ResultDetail.setData(violation,'SID',Simulink.ID.getSID(blk));
                violation.CheckID = obj.checkId;
                violation.Description = 'Inport/Output blocks with integer outputs should be cyan.';
                violation.title = 'Port Block Color';
                violation.ViolationType = 'Warning';
            end
        elseif contains(dataType,'Bus:')
            if ~strcmp(currentBgColor, 'lightBlue')
                violation = ModelAdvisor.ResultDetail;
                ModelAdvisor.ResultDetail.setData(violation,'SID',Simulink.ID.getSID(blk));
                violation.CheckID = obj.checkId;
                violation.Description = 'Inport/Output blocks with bus outputs should be light blue.';
                violation.title = 'Port Block Color';
                violation.ViolationType = 'Warning';
            end
        elseif contains(dataType,'Enum:')
            if ~strcmp(currentBgColor, 'lightBlue')
                violation = ModelAdvisor.ResultDetail;
                ModelAdvisor.ResultDetail.setData(violation,'SID',Simulink.ID.getSID(blk));
                violation.CheckID = obj.checkId;
                violation.Description = 'Inport/Output blocks with enumeration outputs should be light blue.';
                violation.title = 'Port Block Color';
                violation.ViolationType = 'Warning';
            end
        elseif contains(dataType, 'auto')
            if ~strcmp(currentBgColor, 'white')
                violation = ModelAdvisor.ResultDetail;
                ModelAdvisor.ResultDetail.setData(violation,'SID',Simulink.ID.getSID(blk));
                violation.CheckID = obj.checkId;
            end
        end
    end
end

```

```

        violation.Description = 'Inport/Outport blocks with auto outputs should be white.';
        violation.title = 'Port Block Color';
        violation.ViolationType = 'Warning';
    end
end
end
end

% Optionally, provide a fix for the violation object.
function success = fix(obj, violation)
    success = false;
    dataType = get_param(violation.Data, 'OutDataTypeStr');
    if strcmp(dataType, 'boolean')
        set_param(violation.Data, 'BackgroundColor', 'orange');
    elseif any(strcmp({'single', 'double'}, dataType))
        set_param(violation.Data, 'BackgroundColor', 'green');
    elseif any(strcmp({'uint8', 'uint16', 'uint32', 'int8', 'int16', 'int32'}, dataType))
        set_param(violation.Data, 'BackgroundColor', 'cyan');
    elseif contains(dataType, 'Bus:') || contains(dataType, 'Enum:')
        set_param(violation.Data, 'BackgroundColor', 'lightBlue');
    elseif contains(dataType, 'auto')
        set_param(violation.Data, 'BackgroundColor', 'white');
    end
    success = true;
end
end
end
end

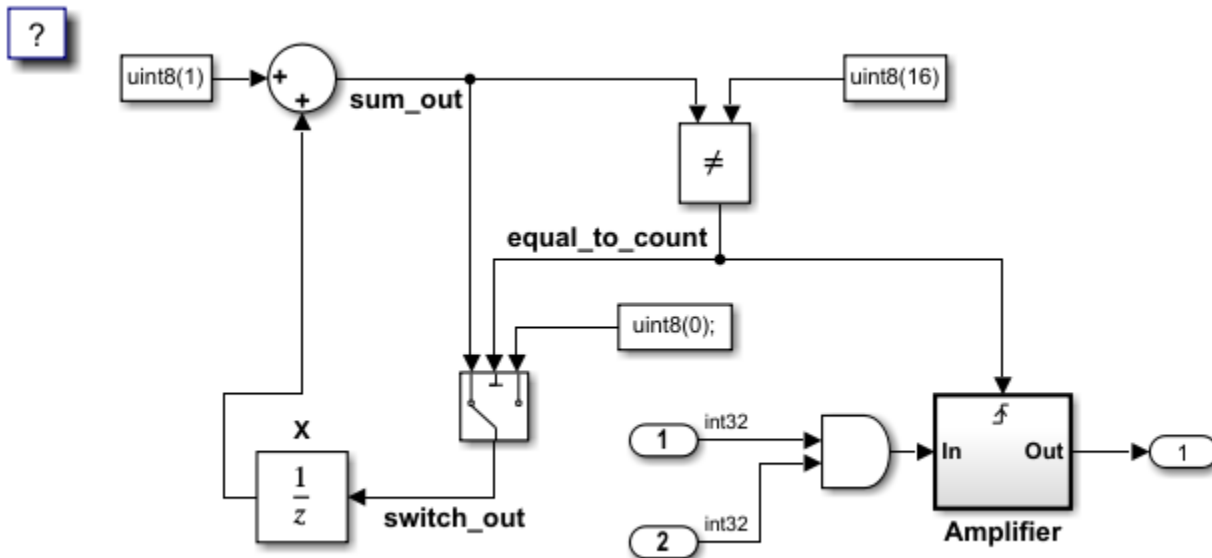
```

Refresh the Model Advisor to update the cache with the new check on the path.

```
Advisor.Manager.refresh_customizations
```

To use the check, copy the `AdvisorCustomizationExample.slx` model to your current working folder.

```
copyfile(fullfile(matlabroot, 'examples', 'slcheck', 'main', ...
    'AdvisorCustomizationExample.slx'), 'AdvisorCustomizationExample.slx', 'f');
```



Open the Model Advisor Configuration Editor by clicking the **Modeling** tab and selecting **Model Advisor > Configuration Editor** or by entering this command at the command prompt:

```
Simulink.ModelAdvisor.openConfigUI;
```

Create a custom configuration that consists of the custom edit-time check. Save the configuration as `my_config.json`. Close the Model Advisor Configuration Editor. Set the custom configuration to the `my_config.json` file.

```
ModelAdvisor.setModelConfiguration('AdvisorCustomizationExample', 'my_config.json');
```

Turn on edit-time checking by clicking the **Modeling** tab and selecting **Model Advisor > Edit-Time Checks**. The Configuration Parameters dialog box opens and you select the **Edit-Time Checks** parameter. Alternatively, you can enter this command at the command prompt:

```
edittime.setAdvisorChecking('AdvisorCustomizationExample', 'on');
```

To view the edit-time warnings, click the blocks highlighted in yellow.

At the top level of the model, the two Inport blocks have an output data type of `int32`. They produce edit-time warnings because they should be cyan. The Outport block does not produce a violation because it has an `auto` data type and is white.

To fix the edit-time warnings, in an edit-time check warning window, click **Fix**.

See Also

`ModelAdvisor.Check`

Topics

“Define Custom Model Advisor Checks”

“Define Edit-Time Checks to Comply with Conditions that You Specify with the Model Advisor”

“Define Custom Edit-Time Checks that Fix Issues in Architecture Models”

Introduced in R2022a

finishedTraversal

Class: ModelAdvisor.EdittimeCheck

Package: ModelAdvisor

Specify edit-time check algorithm to run after `blockDiscovered` method

Syntax

```
violation = finishedTraversal(obj)
```

Description

`violation = finishedTraversal(obj)` is for specifying an algorithm that gets called after the `blockDiscovered` method traverses the blocks at the same level of the model or subsystem that the user is editing. Use this method when you specify a value of `edittimecheck.TraversalTypes.ACTIVEGRAPH` for the `TraversalType` property for the edit-time check object, `obj`. The method returns the blocks that violate your edit-time check algorithm, `violation`.

Use the `finishedTraversal` method for specifying what the edit-time check should do with the data it collects as part of the `blockDiscovered` method. For example, suppose you define an edit-time check that flags subsystems with more than 20 blocks. In this scenario, the `blockDiscovered` method traverses each block in the subsystem and counts the number of blocks. The `finishedTraversal` method is then called and if the subsystem contains more than 20 blocks, it creates an edit-time check violation.

Input Arguments

obj — Edit-time check object

object of a class that derives from the `ModelAdvisor.EdittimeCheck` class

Edit-time check object, specified as an object of a class that derives from the `ModelAdvisor.EdittimeCheck` class.

Output Arguments

violation — Model Advisor result detail object

`ModelAdvisor.ResultDetail` | array of `ModelAdvisor.ResultDetail` objects

Blocks that violate the edit-time check, returned as a `ModelAdvisor.ResultDetail` object or an array of `ModelAdvisor.ResultDetail` objects.

Attributes

Access protected

To learn about attributes of methods, see [Method Attributes](#).

Examples

Create Custom Edit-time Check to Check the Position of a Trigger Block

Create a custom edit-time check that checks the position of a Trigger block within a subsystem. This check requires the `finishedTraversal` method because it must specify violation information after it checks the position of blocks in a subsystem.

To register the custom edit-time check, create an `sl_customization` function. The `sl_customization` function accepts one argument, a customization manager object. To register the custom check, use the `addModelAdvisorCheckFcn` method. The input to this method is a handle to the check definition function. For this example, `defineCheck` is the check definition function. Create the `sl_customization` function and save it to your working folder.

```
function sl_customization(cm)
cm.addModelAdvisorCheckFcn(@defineCheck);
```

Create the check definition function. Inside the function, create a `ModelAdvisor.Check` object and specify the Check ID as an input argument. Then, specify the `ModelAdvisor.Check` Title and `CallbackHandle` properties. The `CallbackHandle` property is the name of the class that you create to define the edit-time check. For this example, `MyEditTimeChecks` is the package name and `TriggerBlockPosition` is the class name. Then, publish the check to a new folder in the Model Advisor. For this example, the folder name is **DEMO: Edit-time Checks**. For this example, create a `defineCheck` function and include the code below in it. Save the `defineCheck` function to your working folder.

```
function defineCheck
rec= ModelAdvisor.Check("advisor.edittimecheck.TriggerBlock");
rec.Title = 'Check that Trigger block position is higher than other blocks';
rec.CallbackHandle = 'MyEditTimeChecks.TriggerBlockPosition';
mdladvRoot.publish(rec,'DEMO: Edit Time Checks');
```

Create a class that derives from the `ModelAdvisor.EdittimeCheck` abstract base class. For this example, create a class file named `TriggerBlockPosition.m`. Copy the code below into the `TriggerBlockPosition.m` file. Then, create a folder named `+MyEditTimeChecks` and save the `TriggerBlockPosition.m` file in that folder. The class must be in a folder that has the same name as the package name.

The `TriggerBlockPosition` class defines three methods: `TriggerBlockPosition`, `blockDiscovered`, and `finishedTraversal`. The `TriggerBlockPosition` method sets the `CheckId` and `TraversalType` properties. This check has a traversal type of `edittimecheck.TraversalTypes.ACTIVEGRAPH` because it must check other blocks in the same subsystem as the Trigger block. The `blockDiscovered` method checks the position of Trigger blocks within subsystems. The `finishedTraversal` method checks whether the position of these Trigger blocks are higher than other blocks in a subsystem.

```
classdef TriggerBlockPosition < ModelAdvisor.EdittimeCheck
    properties
        TriggerBlock = [];
        position = [];
    end

    methods
        % Set Check ID and traversal type.
        function obj=TriggerBlockPosition(checkId)
            obj=@ModelAdvisor.EdittimeCheck(checkId);
            obj.traversalType = edittimecheck.TraversalTypes.ACTIVEGRAPH;
        end
    end
end
```



```

function violation = blockDiscovered(obj, blk)
    violation = [];
    if strcmp(get_param(blk, 'BlockType'), 'TriggerPort')
        obj.TriggerBlock = blk;
    else
        h = get_param(blk, 'Position');
        obj.position = [obj.position, h(2)];
    end
end

function violation = finishedTraversal(obj)
    violation = [];
    if isempty(obj.TriggerBlock)
        return;
    end
    triggerPosition = get_param(obj.TriggerBlock, 'Position');
    if min(obj.position) < triggerPosition(2)
        violation = ModelAdvisor.ResultDetail;
        ModelAdvisor.ResultDetail.setData(violation, 'SID', ...
            Simulink.ID.getSID(obj.TriggerBlock));
        violation.CheckID = obj.checkId;
        violation.title = 'Trigger Block Position';
        violation.Description = 'Trigger Block should be top block in subsystem';
        violation.ViolationType = 'Warning';
    end
    obj.TriggerBlock = [];
    obj.position = [];
end
end
end

```

Refresh the Model Advisor to update the cache with the new check on the path.

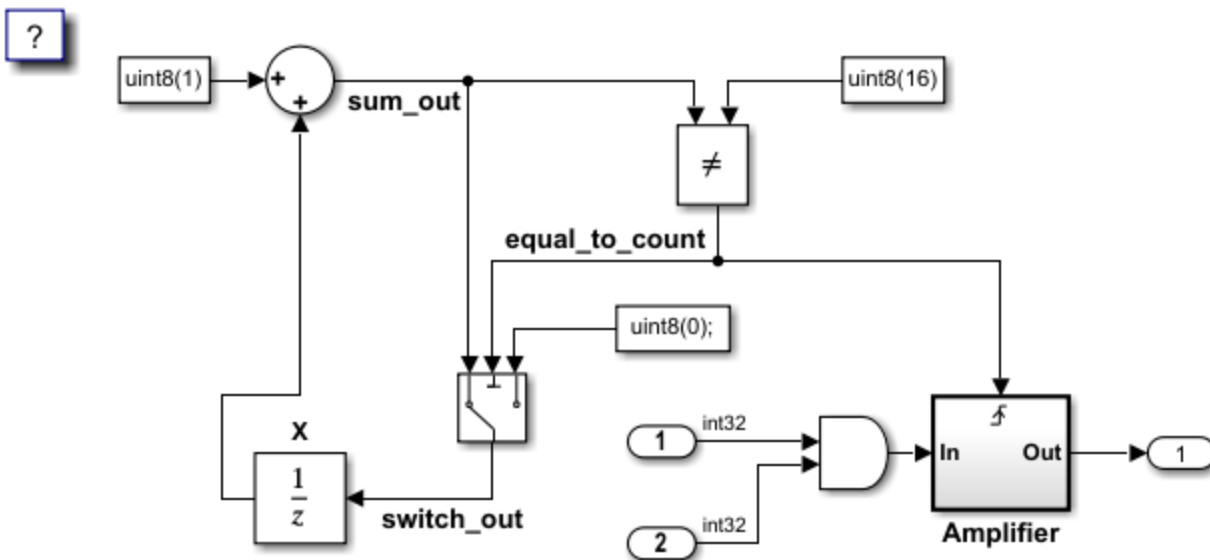
```
Advisor.Manager.refresh_customizations
```

To use the check, copy the `AdvisorCustomizationExample.slx` model to your current working folder.

```

copyfile(fullfile(matlabroot, 'examples', 'slcheck', 'main', ...
    'AdvisorCustomizationExample.slx'), 'AdvisorCustomizationExample.slx', 'f');

```



Open the Model Advisor Configuration Editor by clicking the **Modeling** tab and selecting **Model Advisor > Configuration Editor** or by entering this command at the command prompt:

```
Simulink.ModelAdvisor.openConfigUI;
```

Create a custom configuration consisting of the custom edit-time check. Save the configuration as `my_config2.json`. Close the Model Advisor Configuration Editor. Set the custom configuration to the `my_config2.json` file.

```
ModelAdvisor.setModelConfiguration('AdvisorCustomizationExample', 'my_config2.json');
```

Turn on edit-time checking by clicking the **Modeling** tab and selecting **Model Advisor > Edit Time** checks. After the Configuration Parameters dialog box opens, select the **Edit-Time Checks** parameter. Alternatively, you can enter this command at the command prompt:

```
edittime.setAdvisorChecking('AdvisorCustomizationExample', 'on');
```

To view the edit-time warnings, click the blocks highlighted in yellow.

In the **Amplifier** subsystem, the Trigger block does not produce an edit-time warning because it is the top-most block in the subsystem. If you move the Trigger block below another block, the produces an edit-time warning.

See Also

`ModelAdvisor.Check`

Topics

“Define Custom Model Advisor Checks”

“Define Edit-Time Checks to Comply with Conditions that You Specify with the Model Advisor”

“Define Custom Edit-Time Checks that Fix Issues in Architecture Models”

Introduced in R2022a

fix

Class: `ModelAdvisor.EdittimeCheck`

Package: `ModelAdvisor`

Specify algorithm for fixing edit-time check block violations

Syntax

```
success = fix(obj,violation)
```

Description

`success = fix(obj,violation)` is for specifying an algorithm that fixes each block violation that violates the custom edit-time check, `obj`. The blocks that violate the edit-time check are identified as part of the analysis done by the `blockDiscovered` and `finishedTraversal` methods.

Input Arguments

obj — Edit-time check object

object of a class that derives from the `ModelAdvisor.EdittimeCheck` class

Edit-time check object for which you want to provide a fix for block violations, specified as an object of a class that derives from the `ModelAdvisor.EdittimeCheck` class.

violation — Blocks that violate edit-time check

`ModelAdvisor.ResultDetail` | array of `ModelAdvisor.ResultDetail` objects

Blocks that violate the edit-time check, specified as a `ModelAdvisor.ResultDetail` object or an array of `ModelAdvisor.ResultDetail` objects.

Output Arguments

success — Whether a fix is successful

`true` | `false`

At the beginning of your algorithm, to indicate that a fix has not yet been applied, specify a value of `false`. At the end, to indicate that the fix has been successfully applied, specify a value of `true`.

Attributes

Access protected

To learn about attributes of methods, see [Method Attributes](#).

Examples

Create Custom Edit-time Check for Inport and Outport Blocks

Create a custom edit-time check that checks that Inport and Outport blocks have certain colors depending on their output data types.

To register the custom edit-time check, create an `sl_customization` function. The `sl_customization` function accepts one argument, a customization manager object. To register the custom check, use the `addModelAdvisorCheckFcn` method. The input to this method is a handle to the check definition function. For this example, `defineCheck` is the check definition function. Create the `sl_customization` function and save it to your working folder.

```
function sl_customization(cm)
cm.addModelAdvisorCheckFcn(@defineCheck);
```

Create the check definition function. Inside the function, create a `ModelAdvisor.Check` object and specify the Check ID as an input argument. Then, specify the `ModelAdvisor.Check` Title and `CallbackHandle` properties. The `CallbackHandle` property is the name of the class that you create to define the edit-time check. For this example, `MyEditTimeChecks` is the package name and `PortColor` is the class name. Then, publish the check to a new folder in the Model Advisor. For this example, the folder name is **DEMO: Edit-time Checks**. For this example, create a `defineCheck` function and include the code below in it. Save the `defineCheck` function to your working folder.

```
function defineCheck
rec = ModelAdvisor.Check("advisor.edittimecheck.PortColor");
rec.Title = 'Check color of Inport and Outport blocks';
rec.CallbackHandle = 'MyEditTimeChecks.PortColor';
mdladvRoot = ModelAdvisor.Root;
mdladvRoot.publish(rec, 'DEMO: Edit-time Checks');
```

Create a class that derives from the `ModelAdvisor.EdittimeCheck` abstract base class. For this example, create a class file named `PortColor.m`. Copy the code below into the `PortColor.m` file. Then, create a folder named `+MyEditTimeChecks` and save the `PortColor.m` file in that folder. The class must be in a folder that has the same name as the package name.

The `PortColor` class defines three methods: `PortColor`, `blockDiscovered`, and `fix`. The `PortColor` method sets the `CheckId` and `TraversalType` properties. This check has a traversal type of `edittimecheck.TraversalTypes.BLKITER` because the check must check newly added and edited blocks, but it does not have to check for affected blocks in the same subsystem or model as the edited or newly added blocks. The `blockDiscovered` method contains an algorithm that checks the color of Inport and Outport blocks. The `fix` method updates blocks that do not have correct colors.

```
classdef PortColor < ModelAdvisor.EdittimeCheck
    % Check that ports conform to software design standards for background color.
    %
    % Background Color          Data Types
    % orange                    Boolean
    % green                      all floating-point
    % cyan                       all integers
    % Light Blue                 Enumerations and Bus Objects
    % white                      auto
    %

    methods
        % Set the Check ID and traversal type.
        function obj=PortColor(checkId)
            obj=obj@ModelAdvisor.EdittimeCheck(checkId);
            obj.traversalType = edittimecheck.TraversalTypes.BLKITER;
        end
        % Specify the edit-time check algorithm using the blockDiscovered method.
```

```

function violation = blockDiscovered(obj, blk)
    violation = [];
    % To check when this check gets called, insert a breakpoint here.
    if strcmp(get_param(blk, 'BlockType'), 'Inport') || strcmp(get_param(blk, 'BlockType'), 'Outport')

        dataType = get_param(blk, 'OutDataTypeStr');
        currentBgColor = get_param(blk, 'BackgroundColor');

        if strcmp(dataType, 'boolean')
            if ~strcmp(currentBgColor, 'orange')
                % Create a violation object using the ModelAdvisor.ResultDetail class.
                violation = ModelAdvisor.ResultDetail;
                ModelAdvisor.ResultDetail.setData(violation, 'SID', Simulink.ID.getSID(blk));
                violation.CheckID = obj.checkId;
                violation.Description = 'Inport/Outport blocks with Boolean outputs should be orange.';
                violation.title = 'Port Block Color';
                violation.ViolationType = 'Warning';
            end
        elseif any(strcmp({'single', 'double'}, dataType))
            if ~strcmp(currentBgColor, 'green')
                violation = ModelAdvisor.ResultDetail;
                ModelAdvisor.ResultDetail.setData(violation, 'SID', Simulink.ID.getSID(blk));
                violation.CheckID = obj.checkId;
                violation.Description = 'Inport/Outport blocks with floating-point outputs should be green.';
                violation.title = 'Port Block Color';
                violation.ViolationType = 'Warning';
            end
        elseif any(strcmp({'uint8', 'uint16', 'uint32', 'int8', 'int16', 'int32'}, dataType))
            if ~strcmp(currentBgColor, 'cyan')
                violation = ModelAdvisor.ResultDetail;
                ModelAdvisor.ResultDetail.setData(violation, 'SID', Simulink.ID.getSID(blk));
                violation.CheckID = obj.checkId;
                violation.Description = 'Inport/Outport blocks with integer outputs should be cyan.';
                violation.title = 'Port Block Color';
                violation.ViolationType = 'Warning';
            end
        elseif contains(dataType, 'Bus:')
            if ~strcmp(currentBgColor, 'lightBlue')
                violation = ModelAdvisor.ResultDetail;
                ModelAdvisor.ResultDetail.setData(violation, 'SID', Simulink.ID.getSID(blk));
                violation.CheckID = obj.checkId;
                violation.Description = 'Inport/Outport blocks with bus outputs should be light blue.';
                violation.title = 'Port Block Color';
                violation.ViolationType = 'Warning';
            end
        elseif contains(dataType, 'Enum:')
            if ~strcmp(currentBgColor, 'lightBlue')
                violation = ModelAdvisor.ResultDetail;
                ModelAdvisor.ResultDetail.setData(violation, 'SID', Simulink.ID.getSID(blk));
                violation.CheckID = obj.checkId;
                violation.Description = 'Inport/Outport blocks with enumeration outputs should be light blue.';
                violation.title = 'Port Block Color';
                violation.ViolationType = 'Warning';
            end
        elseif contains(dataType, 'auto')
            if ~strcmp(currentBgColor, 'white')
                violation = ModelAdvisor.ResultDetail;
                ModelAdvisor.ResultDetail.setData(violation, 'SID', Simulink.ID.getSID(blk));
                violation.CheckID = obj.checkId;
                violation.Description = 'Inport/Outport blocks with auto outputs should be white.';
                violation.title = 'Port Block Color';
                violation.ViolationType = 'Warning';
            end
        end
    end
end

% Optionally, provide a fix for the violation object.
function success = fix(obj, violation)
    success = false;
    dataType = get_param(violation.Data, 'OutDataTypeStr');

```

```

    if strcmp(dataType, 'boolean')
        set_param(violation.Data, 'BackgroundColor', 'orange');
    elseif any(strcmp({'single', 'double'}, dataType))
        set_param(violation.Data, 'BackgroundColor', 'green');
    elseif any(strcmp({'uint8', 'uint16', 'uint32', 'int8', 'int16', 'int32'}, dataType))
        set_param(violation.Data, 'BackgroundColor', 'cyan');
    elseif contains(dataType, 'Bus:') || contains(dataType, 'Enum:')
        set_param(violation.Data, 'BackgroundColor', 'lightBlue');
    elseif contains(dataType, 'auto')
        set_param(violation.Data, 'BackgroundColor', 'white');
    end
    success = true;
end
end
end

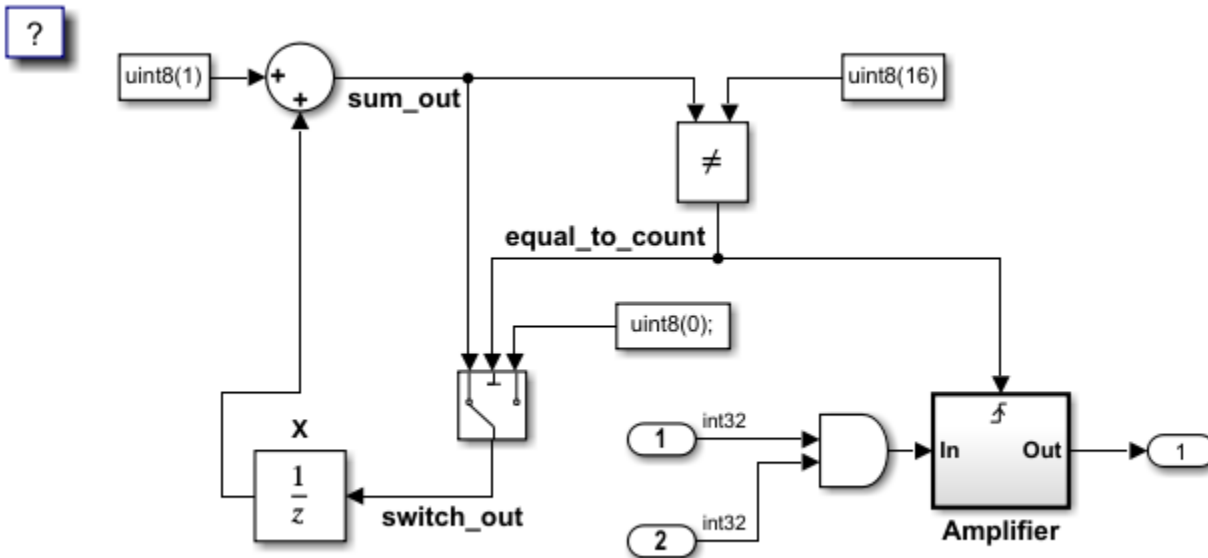
```

Refresh the Model Advisor to update the cache with the new check on the path.

```
Advisor.Manager.refresh_customizations
```

To use the check, copy the `AdvisorCustomizationExample.slx` model to your current working folder.

```
copyfile(fullfile(matlabroot, 'examples', 'slcheck', 'main', ...
    'AdvisorCustomizationExample.slx'), 'AdvisorCustomizationExample.slx', 'f');
```



Open the Model Advisor Configuration Editor by clicking the **Modeling** tab and selecting **Model Advisor > Configuration Editor** or by entering this command at the command prompt:

```
Simulink.ModelAdvisor.openConfigUI;
```

Create a custom configuration that consists of the custom edit-time check. Save the configuration as `my_config.json`. Close the Model Advisor Configuration Editor. Set the custom configuration to the `my_config.json` file.

```
ModelAdvisor.setModelConfiguration('AdvisorCustomizationExample', 'my_config.json');
```

Turn on edit-time checking by clicking the **Modeling** tab and selecting **Model Advisor > Edit-Time Checks**. The Configuration Parameters dialog box opens and you select the **Edit-Time Checks** parameter. Alternatively, you can enter this command at the command prompt:

```
edittime.setAdvisorChecking('AdvisorCustomizationExample','on');
```

To view the edit-time warnings, click the blocks highlighted in yellow.

At the top level of the model, the two Inport blocks have an output data type of `int32`. They produce edit-time warnings because they should be cyan. The Outport block does not produce a violation because it has an `auto` data type and is white.

To fix the edit-time warnings, in an edit-time check warning window, click **Fix**.

See Also

`ModelAdvisor.Check`

Topics

“Define Custom Model Advisor Checks”

“Define Edit-Time Checks to Comply with Conditions that You Specify with the Model Advisor”

“Define Custom Edit-Time Checks that Fix Issues in Architecture Models”

Introduced in R2022a

slreq.refreshSourceArtifactPath

Refresh artifact path information for Requirements Management Interface link set with migration error in Model Testing Dashboard

Syntax

```
slreq.refreshSourceArtifactPath(reqLinkSetPath)
```

Description

`slreq.refreshSourceArtifactPath(reqLinkSetPath)` refreshes the source artifact path information in a link set, `reqLinkSetPath`, that was created with the legacy Requirements Management Interface (RMI). If you create a requirement link set using the RMI, the link files may contain relative paths, which the Model Testing Dashboard cannot analyze. When the dashboard cannot analyze the relative paths in the requirement link set, the dashboard returns a migration error during artifact analysis. `slreq.refreshSourceArtifactPath` updates the link set to use absolute file paths and resolve the migration error.

Examples

Refresh the Path of a Requirement Link Set

Refresh the artifact paths in a link set created in the Requirements Management Interface.

Suppose that the requirements link set '`legacyReqLinks.slmx`' is in the directory '`C:\myProject\`' and was created in the legacy Requirements Management Interface (RMI). The Model Testing Dashboard cannot analyze this requirement link set.

Refresh the artifact paths.

```
slreq.refreshSourceArtifactPath('C:\myProject\legacyReqLinks.slmx')
```

Input Arguments

reqLinkSetPath — File path to requirement link set

character vector | string array

Path to requirement link set, specified as a character vector or string array.

Example: '`C:\myProject\legacyReqLinks.slmx`'

See Also

Introduced in R2022a

Model Advisor Checks

- “Simulink Check Checks” on page 2-2
- “DO-178C/DO-331 Checks” on page 2-4
- “High Integrity System Modeling Checks” on page 2-6
- “IEC 61508, IEC 62304, ISO 26262, ISO 25119, and EN 50128/EN 50657 Checks” on page 2-101
- “Model Advisor Checks for MAB and JMAAB Compliance” on page 2-105
- “DO-254 Checks” on page 2-258
- “MISRA C:2012 Checks” on page 2-259
- “Secure Coding Checks for CERT C, CWE, and ISO/IEC TS 17961 Standards” on page 2-273
- “Model Metrics” on page 2-289

Simulink Check Checks

In this section...

“Simulink Check Checks” on page 2-2

“Requirements Toolbox Checks” on page 2-2

“Modeling Standards Checks” on page 2-2

Simulink Check Checks

Simulink Check checks facilitate designing and troubleshooting models from which code is generated for applications that must meet safety or mission-critical requirements and modeling guidelines.

For descriptions of the modeling standards checks, see

- “DO-178C/DO-331 Checks” on page 2-4
- “IEC 61508, IEC 62304, ISO 26262, ISO 25119, and EN 50128/EN 50657 Checks” on page 2-101
- “AUTOSAR Blockset Checks” (AUTOSAR Blockset)
- “Model Advisor Checks for MAB and JMAAB Compliance” on page 2-105
- “MISRA C:2012 Checks” on page 2-259
- “Secure Coding Checks for CERT C, CWE, and ISO/IEC TS 17961 Standards” on page 2-273

See Also

- “Run Model Advisor Checks and Review Results”

Requirements Toolbox Checks

Requirements Toolbox checks facilitate linking between requirements documentation and your model .

For descriptions of the requirements consistency checks, see “Requirements Consistency Checks” (Requirements Toolbox).

See Also

- “Run Model Advisor Checks and Review Results”
- “Simulink Checks”

Modeling Standards Checks

Modeling standards checks facilitate designing and troubleshooting models from which code is generated for applications that must meet safety or mission-critical requirements or the global MathWorks Advisory Board (MAB) modeling guidelines.

A Simulink Check license is required to execute these MAB checks. Where applicable, additional license requirements are identified in the check-specific documentation.

For descriptions of the Model Advisor checks that verify compliance to the modeling standards, see

- “DO-178C/DO-331 Checks” on page 2-4
- “IEC 61508, IEC 62304, ISO 26262, ISO 25119, and EN 50128/EN 50657 Checks” on page 2-101
- “DO-254 Checks” on page 2-258
- “Model Advisor Checks for MAB and JMAAB Compliance” on page 2-105

See Also

- “Run Model Advisor Checks and Review Results”

DO-178C/DO-331 Checks

In this section...

“DO-178C/DO-331 Checks” on page 2-4

“Display model version information” on page 2-4

DO-178C/DO-331 Checks

DO-178C/DO-331 checks facilitate designing and troubleshooting models from which code is generated for applications that must meet safety or mission-critical requirements.

The Model Advisor performs a checkout of the Simulink Check license when you run the DO-178C/DO-331 checks.

These checks are qualified by the DO Qualification Kit for use in projects involving the DO-178 standard and related standards.

See Also

- “Run Model Advisor Checks and Review Results”
- “Qualified Model Advisor Checks” (DO Qualification Kit)

Display model version information

Check ID: `mathworks.do178.MdlChecksum`

Display model version information in your report.

Description

This check displays the following information for the current model:

- Version number
- Author
- Date
- Model checksum

Available with Simulink Check.

Results and Recommended Actions

Condition	Recommended Action
Could not retrieve model version and checksum information.	This summary is provided for your information. No action is required.

Capabilities and Limitations

- Does not run on library models.
- Does not allow exclusions of blocks or charts.

See Also

- “Reports for Code Generation” (Simulink Coder)
- Radio Technical Commission for Aeronautics (RTCA) for information on the DO-178C Software Considerations in Airborne Systems and Equipment Certification and related standards

High Integrity System Modeling Checks

In this section...

- "High-Integrity Systems Modeling Checks" on page 2-8
- "Split Checks for High Integrity Systems Modeling" on page 2-9
- "Check usage of standardized MATLAB function headers" on page 2-10
- "Check for MATLAB Function interfaces with inherited properties" on page 2-12
- "Check MATLAB Function metrics" on page 2-13
- "Check MATLAB Code Analyzer messages" on page 2-14
- "Check if/elseif/else patterns in MATLAB Function blocks" on page 2-15
- "Check switch statements in MATLAB Function blocks" on page 2-16
- "Check usage of relational operators in MATLAB Function blocks" on page 2-16
- "Check usage of logical operators and functions in MATLAB Function blocks" on page 2-17
- "Check state machine type of Stateflow charts" on page 2-18
- "Check Stateflow charts for ordering of states and transitions" on page 2-19
- "Check usage of recursions" on page 2-19
- "Check Stateflow debugging options" on page 2-20
- "Check Stateflow charts for transition paths that cross parallel state boundaries" on page 2-21
- "Check for inappropriate use of transition paths" on page 2-22
- "Check Stateflow charts for strong data typing" on page 2-23
- "Check naming of ports in Stateflow charts" on page 2-23
- "Check scoping of Stateflow data objects" on page 2-24
- "Check assignment operations in Stateflow Charts" on page 2-25
- "Check Stateflow charts for unary operators" on page 2-25
- "Check usage of Abs blocks" on page 2-26
- "Check usage of remainder and reciprocal operations" on page 2-27
- "Check usage of log and log10 operations" on page 2-28
- "Check usage of While Iterator blocks" on page 2-28
- "Check usage of For and While Iterator subsystems" on page 2-29
- "Check usage of For Iterator blocks" on page 2-30
- "Check usage of If blocks and If Action Subsystem blocks" on page 2-31
- "Check usage of Switch Case blocks and Switch Case Action Subsystem blocks" on page 2-32
- "Check usage of conditionally executed subsystems" on page 2-33
- "Check safety-related diagnostic settings for data store memory" on page 2-34
- "Check usage of Merge blocks" on page 2-35
- "Check relational comparisons on floating-point signals" on page 2-36
- "Check usage of Relational Operator blocks" on page 2-37
- "Check usage of Logical Operator blocks" on page 2-37
- "Check usage of bit operation blocks" on page 2-38

In this section...

- "Check for blocks not recommended for C/C++ production code deployment" on page 2-39
- "Check for inconsistent vector indexing methods" on page 2-40
- "Check data types for blocks with index signals" on page 2-41
- "Check usage of variant blocks" on page 2-42
- "Check for root Inports with missing properties" on page 2-43
- "Check for root Inports with missing range definitions" on page 2-44
- "Check for root Outports with missing range definitions" on page 2-45
- "Check usage of Assignment blocks" on page 2-46
- "Check model file name" on page 2-47
- "Check model object names" on page 2-47
- "Check usage of lookup table blocks" on page 2-49
- "Check usage of Signal Routing blocks" on page 2-50
- "Check safety-related diagnostic settings for saving" on page 2-51
- "Check safety-related model referencing settings" on page 2-52
- "Check safety-related code generation settings for comments" on page 2-53
- "Check safety-related code generation interface settings" on page 2-54
- "Check safety-related solver settings for simulation time" on page 2-56
- "Check safety-related solver settings for solver options" on page 2-57
- "Check safety-related solver settings for tasking and sample-time" on page 2-57
- "Check safety-related diagnostic settings for solvers" on page 2-58
- "Check safety-related diagnostic settings for sample time" on page 2-59
- "Check safety-related optimization settings for logic signals" on page 2-61
- "Check safety-related block reduction optimization settings" on page 2-62
- "Check safety-related code generation settings for code style" on page 2-62
- "Check safety-related optimization settings for application lifespan" on page 2-63
- "Check safety-related code generation identifier settings" on page 2-64
- "Check safety-related optimization settings for data initialization" on page 2-65
- "Check safety-related optimization settings for data type conversions" on page 2-66
- "Check safety-related optimization settings for division arithmetic exceptions" on page 2-67
- "Check safety-related optimization settings for specified minimum and maximum values" on page 2-68
- "Check Stateflow charts for uniquely defined data objects" on page 2-69
- "Check global variables in graphical functions" on page 2-70
- "Check for length of user-defined object names" on page 2-70
- "Check usage of Gain blocks" on page 2-71
- "Check for divide-by-zero calculations" on page 2-72
- "Check for model elements that do not link to requirements" on page 2-72
- "Check safety-related settings for hardware implementation" on page 2-74

In this section...

“Check data type of loop control variables” on page 2-75
“Check safety-related diagnostic settings for compatibility” on page 2-76
“Check safety-related diagnostic settings for parameters” on page 2-76
“Check safety-related diagnostic settings for Merge blocks” on page 2-77
“Check safety-related diagnostic settings for model initialization” on page 2-78
“Check safety-related diagnostic settings for data used for debugging” on page 2-79
“Check safety-related diagnostic settings for signal connectivity” on page 2-80
“Check safety-related diagnostic settings for bus connectivity” on page 2-81
“Check safety-related diagnostic settings that apply to function-call connectivity” on page 2-82
“Check safety-related diagnostic settings for type conversions” on page 2-83
“Check safety-related diagnostic settings for model referencing” on page 2-84
“Check safety-related diagnostic settings for Stateflow” on page 2-85
“Check safety-related diagnostic settings for signal data” on page 2-86
“Check MATLAB functions not supported for code generation” on page 2-89
“Metrics for generated code complexity” on page 2-89
“Check for parameter tunability ignored for referenced models” on page 2-90
“Check usage of bit-shift operations” on page 2-91
“Check safety-related diagnostic settings for variants” on page 2-91
“Check usage of square root operations” on page 2-92
“Check usage of Reciprocal Sqrt blocks” on page 2-92
“Check for disabled and parameterized library links” on page 2-93
“Check for unreachable and dead code” on page 2-94
“Check type and size of condition expressions” on page 2-95
“Check configuration parameters for MISRA C:2012” on page 2-96
“Check for blocks not recommended for MISRA C:2012” on page 2-98

High-Integrity Systems Modeling Checks

High-Integrity Systems Modeling checks facilitate designing and troubleshooting models, subsystems, and the corresponding generated code for applications to comply with High-Integrity Systems Modeling Guidelines.

The Model Advisor performs a checkout of the Simulink Check license when you run the High-Integrity Systems Modeling checks.

High-Integrity Systems Modeling checks are classified in to the following groups:

Simulink

High-Integrity Systems Modelling checks for Simulink blocks and components.

For more information, see “Model Checks for High Integrity Systems Modeling”.

MATLAB

High-Integrity Systems Modelling checks for MATLAB code.

For more information, see “Model Checks for High Integrity Systems Modeling”.

Configuration

High-Integrity Systems Modelling checks for Configuration settings.

For more information, see “Model Checks for High Integrity Systems Modeling”.

Naming

High-Integrity Systems Modelling checks for Naming conventions.

For more information, see “Model Checks for High Integrity Systems Modeling”.

Requirements

High-Integrity Systems Modelling checks for Simulink Requirements traceability.

For more information, see “Model Checks for High Integrity Systems Modeling”.

Code

High-Integrity Systems Modelling checks for generated code.

For more information, see “Model Checks for High Integrity Systems Modeling”.

Stateflow

High-Integrity Systems Modelling checks for Stateflow charts and components.

For more information, see “Model Checks for High Integrity Systems Modeling”.

Split Checks for High Integrity Systems Modeling

From R2018b and later, the following checks are not recommended for use. These checks are split into multiple checks that focus on a single action or operation. For more information, see the Split and New Checks table below.

Old Check Title	Split Check Titles
Check usage of Math Operations blocks	Check usage of Abs blocks
	Check usage of Math Function blocks (rem and reciprocal functions)
	Check usage of Math Function blocks (log and log10 functions)
	Check usage of Assignment blocks
Check usage of Logic and Bit Operations blocks	Check for Relational Operator blocks that equate floating-point types
	Check usage of Relational Operator blocks

Old Check Title	Split Check Titles
	Check usage of Logical Operator blocks
Check usage of Ports and Subsystems blocks	Check usage of While Iterator blocks
	Check sample time-dependent blocks
	Check usage of For Iterator blocks
	Check usage of If blocks and If Action Subsystem blocks
	Check usage Switch Case blocks and Switch Case Action Subsystem blocks
Check safety-related code generation settings	Check safety-related code generation settings for comments
	Check safety-related code generation interface settings
	Check safety-related code generation settings for code style
	Check safety-related code generation symbols settings
Check usage of Stateflow constructs	Check Stateflow charts for ordering of states and transitions
	Check Stateflow debugging options
	Check Stateflow charts for uniquely defined data objects
Check safety-related optimization settings	Check safety-related optimization settings for logic signals
	Check safety-related block reduction optimization settings
	Check safety-related optimization settings for application lifespan
	Check safety-related optimization settings for data initialization
	Check safety-related optimization settings for data type conversions
	Check safety-related optimization settings for division arithmetic exceptions

Check usage of standardized MATLAB function headers

Check ID: mathworks.hism.himl_0001

Description

This check inspects all MATLAB functions in the model, local functions, and referenced MATLAB files for standardized function headers and checks for these details:

- Function name
- Function description
- Description of input variables
- Description of output variables

Following is an example of how to define function headers:

%<Function Name> - Description of the function

%<Input variable 1> - Description of input variable 1

%<Input variable 2> - Description of input variable 2

%<Output variable 1> - Description of output variable 1

Available with Simulink Check.

Check Parameterization

You can set the following configuration through Model Advisor Configuration Editor.

Select the MATLAB Function header format type, and the custom header format and configure the description tags from the **Header format type** and **Custom header format** input parameters. The format for the **Custom header format** should be of a string type with comma separated tags.

By default, the **Header format type** is set to **Default** and the **Custom header format** parameter is **Description, Input, Output**.

For example, considering the default values (Description, Input, Output), each of the layer in the model should have the description format as following:

Description: <model description>

Input: <input information>

Output: <output information>

Results and Recommended Actions

Condition	Recommended Action
MATLAB functions use nonstandard function headers.	<p>Consider adding a function header to the functions according to these guidelines:</p> <ul style="list-style-type: none"> • Must be a valid MATLAB comment. • Must immediately follow the function signature. • Must have a "Function Description" section. • Must have an "Inputs Description" section. • Must have an "Outputs Description" section.

Capabilities and Limitations

- This check only analyzes the functions that are directly referenced by the Simulink model.
- You can configure the check to run on referenced MATLAB files using the input parameter **Check .m files referenced in the model** in the Configuration Editor. By default this parameter is selected.
- Analyzes content in masked subsystems. By default, the input parameter **Look under masks** is set to `all`.
- Analyzes content of library-linked blocks. By default, the input parameter **Follow links** is set to `on`.
- Allows exclusions of blocks and charts.

See Also

- `himl_0001`: Usage of standardized MATLAB function headers

Check for MATLAB Function interfaces with inherited properties

Check ID: `mathworks.hism.himl_0002`

Identify MATLAB Functions that have inputs, outputs or parameters with inherited complexity or data type properties.

Description

The check identifies MATLAB Functions with inherited complexity or data type properties. A results table provides links to MATLAB Functions that do not pass the check, along with conditions triggering the warning.

Available with Simulink Check.

Results and Recommended Actions

Condition	Recommended Action
MATLAB Functions have inherited interfaces.	Explicitly define complexity and data type properties for inports, outports, and parameters of MATLAB Functions identified in the results. If applicable, using the MATLAB Function Block Editor , make the following modifications in the Property Inspector: <ul style="list-style-type: none"> • Change Complexity from Inherited to On or Off. • Change Type from Inherit: Same as Simulink to an explicit type.

Capabilities and Limitations

- This check only analyzes the functions that are directly referenced by the Simulink model.
- Runs on library models.

- Analyzes content of library-linked blocks. By default, the input parameter **Follow links** is set to on.
- Analyzes content in masked subsystems. By default, the input parameter **Look under masks** is set to all.
- Allows exclusions of blocks and charts.

See Also

- himl_0002: Strong data typing at MATLAB function boundaries

Check MATLAB Function metrics

Check ID: mathworks.hism.himl_0003

Display complexity and code metrics for MATLAB Functions. Report metric violations.

Description

This check provides complexity and code metrics for MATLAB Functions. The check reports two categories of metrics violations:

- **Block-based metrics** — Metrics for the overall code of the MATLAB Function block
- **Function-based metrics** — Metrics for each function of the block, presented individually

Available with Simulink Check.

Input Parameters

You can define the tolerance for these complexity parameters by using the Model Advisor Configuration Editor:

- **Maximum effective lines of code per function** — Effective lines do not include empty lines, comment lines, or lines with a function end keyword. The default value is 60.
- **Minimum density of comments** — Density is ratio of comment lines to total lines of code. The default value is 0.2.
- **Maximum cyclomatic complexity per function** — Cyclomatic complexity is the number of linearly independent paths through the source code. The default value is 15.

Results and Recommended Actions

Condition	Recommended Action
MATLAB Function violates the complexity input parameters.	For the MATLAB Function: <ul style="list-style-type: none"> • If effective lines of code is too high, further divide the MATLAB Function. • If comment density is too low, add comment lines. • If cyclomatic complexity per function is too high, further divide the MATLAB Function.

Capabilities and Limitations

- This check only analyzes the functions that are directly referenced by the Simulink model.
- Runs on library models.
- Analyzes content of library-linked blocks. By default, the input parameter **Follow links** is set to on.
- Analyzes content in masked subsystems. By default, the input parameter **Look under masks** is set to all.
- Allows exclusions of blocks and charts.

See Also

- himl_0003: Limitation of MATLAB function complexity

Check MATLAB Code Analyzer messages

Check ID: mathworks.hism.himl_0004

Check MATLAB Functions for `%#codegen` directive, MATLAB Code Analyzer messages, and justification message IDs.

Description

Verifies `%#codegen` directive, MATLAB Code Analyzer messages, and justification message IDs for:

- MATLAB code in MATLAB Function blocks
- MATLAB functions defined in Stateflow charts
- Called MATLAB functions

Available with Simulink Check.

Results and Recommended Actions

Condition	Recommended Action
For MATLAB code in MATLAB Function blocks, either of the following: <ul style="list-style-type: none"> • Code lines are not justified with a <code>%#ok</code> comment. • Codes lines justified with <code>%#ok</code> do not specify a message id. 	<ul style="list-style-type: none"> • Implement MATLAB Code Analyzer recommendations. • Justify not following MATLAB Code Analyzer recommendations with a <code>%#ok</code> comment. • Specify justified code lines with a message id. For example, <code>%#ok<NOPRT></code>.
For MATLAB functions defined in Stateflow charts, either of the following: <ul style="list-style-type: none"> • Code lines are not justified with a <code>%#ok</code> comment. • Codes lines justified with <code>%#ok</code> do not specify a message id. 	<ul style="list-style-type: none"> • Implement MATLAB Code Analyzer recommendations. • Justify not following MATLAB Code Analyzer recommendations with a <code>%#ok</code> comment. • Specify justified code lines with a message id. For example, <code>%#ok<NOPRT></code>.

Condition	Recommended Action
For called MATLAB functions: <ul style="list-style-type: none"> Code does not have the <code>%#codegen</code> directive. Code lines are not justified with a <code>%#ok</code> comment. Codes lines justified with <code>%#ok</code> do not specify a message id. 	<ul style="list-style-type: none"> Insert <code>%#codegen</code> directive in the MATLAB code. Implement MATLAB Code Analyzer recommendations. Justify not following MATLAB Code Analyzer recommendations with a <code>%#ok</code> comment. Specify justified code lines with a message id. For example, <code>%#ok<NOPRT></code>.

Capabilities and Limitations

- This check only analyzes the functions that are directly referenced by the Simulink model.
- Runs on library models.
- Analyzes content of library-linked blocks. By default, the input parameter **Follow links** is set to `on`.
- Analyzes content in masked subsystems. By default, the input parameter **Look under masks** is set to `all`.
- Allows exclusions of blocks or charts.

See Also

- `himl_0004`: MATLAB Code Analyzer recommendations for code generation

Check if/elseif/else patterns in MATLAB Function blocks

Check ID: `mathworks.hism.himl_0006`

Description

This check identifies the if/elseif/else patterns without appropriate else conditions in embedded MATLAB code.

Available with Simulink Check.

Results and Recommended Actions

Condition	Recommended Action
Inappropriate if/elseif/else patterns are present in the embedded MATLAB code.	For every if/elseif/else pattern, add an else statement that includes at least one meaningful comment.

Capabilities and Limitations

- This check only analyzes the functions that are directly referenced by the Simulink model.
- Analyzes content in masked subsystems. By default, the input parameter **Look under masks** is set to `all`.
- Analyzes content of library-linked blocks. By default, the input parameter **Follow links** is set to `on`.

See Also

- himl_0006: MATLAB code if / elseif / else patterns

Check switch statements in MATLAB Function blocks

Check ID: mathworks.hism.himl_0007

Description

This check identifies the switch/case/otherwise statements without appropriate conditions in embedded MATLAB code.

Available with Simulink Check.

Results and Recommended Actions

Condition	Recommended Action
Switch statement does not have any otherwise condition.	Make sure that the switch statement has an otherwise condition.
Otherwise statement is left blank with no comments.	Make sure that the otherwise statement has at least one meaningful comment.
Switch statement has only one case statement.	Make sure that the switch statement has at least two case statements.

Capabilities and Limitations

- This check excludes a single **case** statement with a cell array of two or more elements.
- This check only analyzes the functions that are directly referenced by the Simulink model.
- Runs on library models.
- You can configure the check to run on referenced MATLAB files using the input parameter **Check .m files referenced in the model** in the Configuration Editor. By default this parameter is selected.
- Analyzes content in masked subsystems. By default, the input parameter **Look under masks** is set to **all**.
- Analyzes content of library-linked blocks. By default, the input parameter **Follow links** is set to **on**.
- Allows exclusions of blocks and charts.

See Also

- himl_0007: MATLAB code switch / case / otherwise patterns

Check usage of relational operators in MATLAB Function blocks

Check ID: mathworks.hism.himl_0008

Description

This check inspects all MATLAB functions in the model, local functions, and referenced MATLAB files for the relational operator statements which operate on operands of different data types.

Available with Simulink Check.

Results and Recommended Actions

Condition	Recommended Action
Relational operators in the function blocks operating on operands of different data types.	Type-cast the operands to be of the same data type.

Capabilities and Limitations

- This check only analyzes the functions that are directly referenced by the Simulink model.
- Does not run on library models.
- You can configure the check to run on referenced MATLAB files using the input parameter **Check .m files referenced in the model** in the Configuration Editor. By default this parameter is selected.
- Analyzes content in masked subsystems. By default, the input parameter **Look under masks** is set to `all`.
- Analyzes content of library-linked blocks. By default, the input parameter **Follow links** is set to `on`.
- Allows exclusions of blocks and charts.

See Also

- `himl_0008`: MATLAB code relational operator data types

Check usage of logical operators and functions in MATLAB Function blocks

Check ID: `mathworks.hism.himl_0010`

Description

This check identifies the logical operators and functions operating on operands with numeric data types in MATLAB Function blocks.

Available with Simulink Check.

Results and Recommended Actions

Condition	Recommended Action
Logical operators or functions used on operands with numeric data types.	Type-cast the operands to be of a logical data type.

Capabilities and Limitations

- This check only analyzes the functions that are directly referenced by the Simulink model.
- Does not run on library models.
- Analyzes content in masked subsystems. By default, the input parameter **Look under masks** is set to `all`.

- Analyzes content of library-linked blocks. By default, the input parameter **Follow links** is set to on.
- You can configure the check to run on referenced MATLAB files using the input parameter **Check .m files referenced in the model** in the Configuration Editor. By default this parameter is selected.
- Allows exclusions of blocks and charts.

See Also

- himl_0010: MATLAB code with logical operators and functions

Check state machine type of Stateflow charts

Check ID: mathworks.hism.hisf_0001

Identify Stateflow Charts whose State Machine Type differs from the type set in the Model Advisor Configuration Editor.

Description

Compares the state machine type of all Stateflow charts to the type that you specify in the input parameters.

Available with Simulink Check.

This check requires a Stateflow license.

Input Parameters

Classic

Check whether all charts are Classic charts.

Mealy

Check whether all charts are Mealy charts.

Moore

Check whether all charts are Moore charts.

Results and Recommended Actions

Condition	Recommended Action
The input parameter is set to Classic and charts in the model use other state machine types.	For each chart, in the Chart Properties dialog box, specify State Machine Type to Classic .
The input parameter is set to Moore and charts in the model use other state machine types.	For each chart, in the Chart Properties dialog box, specify State Machine Type to Moore .
The input parameter is set to Mealy and charts in the model use other state machine types.	For each chart, in the Chart Properties dialog box, specify State Machine Type to Mealy .

Capabilities and Limitations

- Runs on library models.

- Analyzes content of library linked blocks. By default, the input parameter **Follow links** is set to on.
- Analyzes content in masked subsystems. By default, the input parameter **Look under masks** is set to all.
- Allows exclusions of blocks and charts.

See Also

- hisf_0001: State Machine Type

Check Stateflow charts for ordering of states and transitions

Check ID: mathworks.hism.hisf_0002

Identify Stateflow charts that have **User-specified state/transition execution order** cleared.

Description

Identify Stateflow charts that have **User-specified state/transition execution order** cleared, and therefore do not use explicit ordering of parallel states and transitions.

Available with Simulink Check.

This check requires a Stateflow license.

Results and Recommended Actions

Condition	Recommended Action
Stateflow charts have User-specified state/transition execution order cleared.	For the specified charts, in the Chart Properties dialog box, select User-specified state/transition execution order .

Capabilities and Limitations

- Runs on library models.
- Analyzes content of library linked blocks. By default, the input parameter **Follow links** is set to on.
- Analyzes content in masked subsystems. By default, the input parameter **Look under masks** is set to all.
- Allows exclusions of blocks and charts.

Action Results

Clicking **Modify** selects **User-specified state/transition execution order** for the specified charts.

See Also

- hisf_0002: User-specified state/transition execution order

Check usage of recursions

Check ID: mathworks.hism.hisf_0004

Description

Identifies the usage of recursive behavior.

Note The undirected events are known to cause recursion in the generated code.

Available with Simulink Check.

This check requires a Stateflow license.

Results and Recommended Actions

Condition	Recommended Action
One or more entities were involved in recursions.	Remodel the entities to remove recursions.

Capabilities and Limitations

- This check can only be run from root level of the model.
- Runs on library models.
- Analyzes content in masked subsystems. By default, the input parameter **Look under masks** is set to all.
- Analyzes content of library-linked blocks. By default, the input parameter **Follow links** is set to on.
- Allows exclusions of blocks and charts.

See Also

- hisf_0004: Protect against recursive function calls to improve code compliance

Check Stateflow debugging options

Check ID: mathworks.hism.hisf_0011

Check the Stateflow debugging settings.

Description

Verify the following debugging settings.

- **Wrap on overflow**
- **Simulation range checking**
- **Detect Cycles**
- **Underspecification**
- **Overspecification**

Available with Simulink Check.

This check requires a Stateflow license.

Results and Recommended Actions

Condition	Recommended Action
Any of the following: <ul style="list-style-type: none"> • Wrap on overflow is not set to error. • Simulation range checking is not set to error. • Detect Cycles is cleared. 	In the Configuration Parameters dialog box, set: <ul style="list-style-type: none"> • Wrap on overflow to error, or set the parameter IntegerOverflowMsg to error. • Simulation range checking to error, or set the parameter SignalRangeChecking to error. In the model window, select: <ul style="list-style-type: none"> • Debug > Diagnostics > Detect Cyclical Behavior

Capabilities and Limitations

- Allows exclusions of blocks and charts.
- Analyzes content in masked subsystems. By default, the input parameter **Look under masks** is set to `all`.
- Analyzes content of library-linked blocks. By default, the input parameter **Follow links** is set to on.

Action Results

Clicking **Modify** selects the specified debugging options.

See Also

- `hisf_0011`: Stateflow debugging settings

Check Stateflow charts for transition paths that cross parallel state boundaries

Check ID: `mathworks.hism.hisf_0013`

Identify transition paths that cross parallel state boundaries in Stateflow charts.

Description

Identify transition paths that cross parallel state boundaries in Stateflow charts. This check identifies transition paths that cross parallel state boundaries in Stateflow charts.

Available with Simulink Check.

This check requires a Stateflow license.

Results and Recommended Actions

Condition	Recommended Action
The Stateflow charts have transition paths that cross parallel state boundaries.	Modify the Stateflow charts so that transitions do not cross parallel state boundaries. For more information see, "Transition Between Operating Modes" (Stateflow).

Capabilities and Limitations

- Runs on library models.
- Analyzes content of library linked blocks. By default, the input parameter **Follow links** is set to on.
- Analyzes content in masked subsystems. By default, the input parameter **Look under masks** is set to all.
- Allows exclusions of blocks and charts.

See Also

- hisf_0013: Usage of transition paths (crossing parallel state boundaries)

Check for inappropriate use of transition paths

Check ID: mathworks.hism.hisf_0014

Description

This check inspects the use of junctions inside states and identifies the junctions that lie on a path that goes in and out of a state.

Available with Simulink Check.

This check requires a Stateflow license.

Results and Recommended Actions

Condition	Recommended Action
One or more transition paths in the model traverses through a state without ending on a substate.	Remodel the junctions to avoid transition paths that go into and out of a state without ending on a substate.

Capabilities and Limitations

- Runs on library models.
- Analyzes content in masked subsystems. By default, the input parameter **Look under masks** is set to all.
- Analyzes content of library-linked blocks. By default, the input parameter **Follow links** is set to on.

See Also

- hisf_0014: Usage of transition paths (passing through states)

Check Stateflow charts for strong data typing

Check ID: mathworks.hism.hisf_0015

Identify variables and parameters in expressions with different data types in Stateflow objects.

Description

To facilitate strong data typing, this check identifies the variables and parameters in expressions with different data types in Stateflow states and transitions.

Available with Simulink Check.

This check requires a Stateflow license.

Results and Recommended Actions

Condition	Recommended Action
The Stateflow objects have variables and parameters in expressions with different data types.	Explicitly cast variables and parameters in expressions to the same data types. For more information see, <code>cast</code> .

Capabilities and Limitations

- Does not run on library models.
- Allows exclusions of blocks and charts.
- Analyzes content in masked subsystems. By default, the input parameter **Look under masks** is set to `all`.
- Analyzes content of library linked blocks. By default, the input parameter **Follow links** is set to `on`.
- Does not analyze the type of literals in expressions in Stateflow objects. Explicitly casts types of literals to the intended data type.
- Does not flag expressions with true and false keywords. For more information, see “Reserved Keywords for Code Generation” (Embedded Coder).
- External functions written in C and embedded in Stateflow will not work with this check.

See Also

- hisf_0015: Strong data typing (casting variables and parameters in expressions)

Check naming of ports in Stateflow charts

Check ID: mathworks.hism.hisf_0016

Description

This check identifies the mismatches between names of Stateflow ports and associated signals. The reusable Stateflow blocks can have different port names.

Available with Simulink Check.

This check requires a Stateflow license.

Results and Recommended Actions

Condition	Recommended Action
Names of the input and output ports of Stateflow charts are not the same as the names of the signals connected.	Make sure that the names of the input and output ports of Stateflow charts are same as the names of the signals connected.

Capabilities and Limitations

- This check does not analyze port names of Stateflow Truth Tables or Stateflow State Transition Tables.
- This check considers reusable Stateflow charts as library linked charts and are not flagged.
- This check does not flag signals without names.
- Analyzes content in masked subsystems. By default, the input parameter **Look under masks** is set to all.
- Analyzes content of library-linked blocks. By default, the input parameter **Follow links** is set to on.
- Allows exclusions of blocks and charts.

See Also

- hisf_0016: Stateflow port names

Check scoping of Stateflow data objects

Check ID: mathworks.hism.hisf_0017

Description

This check identifies the Stateflow data objects with local scope that are not scoped at the chart level or below.

Available with Simulink Check.

This check requires a Stateflow license.

Results and Recommended Actions

Condition	Recommended Action
One or more Stateflow data objects with local scope are not defined at the chart level or below.	Make sure to define all the Stateflow data objects with local scope at the chart level or below.

Capabilities and Limitations

- Does not analyze content of library linked blocks.
- Does not analyze content in masked subsystems.

- Allows exclusions of blocks and charts.

See Also

- hisf_0017: Stateflow data object scoping

Check assignment operations in Stateflow Charts

Check ID: mathworks.hism.hisf_0065

Identify assignment operations in Stateflow objects.

Description

This check identifies the assignment operations in Stateflow objects that implicitly cast integer and fixed-point arithmetic calculations to wider data types than the input data types.

This check identifies only the assignments with arithmetic operations.

Available with Simulink Check.

This check requires a Stateflow license.

Results and Recommended Actions

Condition	Recommended Action
The Stateflow object consists of assignment operations that cast integer and fixed-point calculations to wider data types than the input data types.	Explicitly replace assignment operator (=) to := operator in Stateflow objects.

Capabilities and Limitations

- Does not run on library models.
- Analyzes content in masked subsystems. By default, the input parameter **Look under masks** is set to all.
- Analyzes content of library-linked blocks. By default, the input parameter **Follow links** is set to on.
- External functions written in C and embedded in Stateflow will not work with this check.

See Also

- hisf_0065: Type cast operations in Stateflow to improve code compliance

Check Stateflow charts for unary operators

Check ID: mathworks.hism.hisf_0211

Identify unary operators in Stateflow charts.

Description

This check identifies the unary minus operators on unsigned data types in Stateflow charts.

Available with Simulink Check.

This check requires a Stateflow license.

Results and Recommended Actions

Condition	Recommended Action
The Stateflow chart consists of a unary minus operator on unsigned data types.	Explicitly modify the unary operator on unsigned data types. For more information, see “Unary Operations and Actions” (Stateflow).

Capabilities and Limitations

- Does not run on library models.
- Analyzes content of library linked blocks. By default, the input parameter **Follow links** is set to on.
- Analyzes content in masked subsystems. By default, the input parameter **Look under masks** is set to all.
- Except for Shift and Divide operations, this check does not flag expressions with bitwise and arithmetic operators.

See Also

- hisf_0211: Protect against use of unary operators in Stateflow Charts to improve code compliance

Check usage of Abs blocks

Check ID: mathworks.hism.hisl_0001

Identify usage of Math Operation blocks that might impact safety.

Description

This check inspects the usage of the Abs block.

Available with Simulink Check.

Results and Recommended Actions

Condition	Recommended Action
<p>The model or subsystem contains an Absolute Value block that is operating on one of the following:</p> <ul style="list-style-type: none"> A boolean or an unsigned input data type. This condition results in unreachable simulation pathways through the model and might result in unreachable code A signed integer value with the Saturate on integer overflow check box not selected. For signed data types, the absolute value of the most negative value is problematic because it is not representable by the data type. This condition results in an overflow in the generated code. 	<p>If the identified Absolute Value block is operating on a boolean or unsigned data type, do one of the following:</p> <ul style="list-style-type: none"> Change the input of the Absolute Value block to a signed input type. Remove the Absolute Value block from the model. <p>If the identified Absolute Value block is operating on a signed data type, in the Block Parameters > Signal Attributes dialog box, select Saturate on integer overflow.</p>

Capabilities and Limitations

- Does not run on library models.
- Analyzes content of library linked blocks.
- Analyzes content in all masked subsystems.
- Allows exclusions of blocks and charts.

See Also

- hisl_0001: Usage of Abs block

Check usage of remainder and reciprocal operations

Check ID: mathworks.sldv.hism.hisl_0002

Description

Identifies usage of remainder and reciprocal operations that cause non-finite results.

Available with Simulink Check. This check requires a Simulink Design Verifier (SLDV) license.

Note: This check will perform SLDV analysis on the model.

Results and Recommended Actions

Condition	Recommended Action
Remainder and reciprocal operations in the model have inputs that can be equal to zero during simulation.	Make sure that the inputs to the remainder and reciprocal operations are not less than or equal to zero.

Capabilities and Limitations

- Does not run on library models.
- Analyzes content of library linked blocks. By default, the input parameter **Follow links** is set to on.
- Analyzes content in masked subsystems. By default, the input parameter **Look under masks** is set to all.
- Allows exclusions of blocks and charts.

See Also

- hisl_0002: Usage of Math Function blocks (rem and reciprocal)

Check usage of log and log10 operations

Check ID: mathworks.sldv.hism.hisl_0004

Description

Identifies log and log10 operations in the model that can cause nonfinite results.

Available with Simulink Check. This check requires a Simulink Design Verifier (SLDV) license.

Note: This check will perform SLDV analysis on the model.

Results and Recommended Actions

Condition	Recommended Action
Natural/base 10 logarithm (Log and Log10) operations in the model have inputs that can be less than or equal to zero during simulation.	Make sure that the input of log and log 10 operations in the model are not less than or equal to zero.

Capabilities and Limitations

- Does not run on library models.
- Analyzes content of library linked blocks. By default, the input parameter **Follow links** is set to on.
- Analyzes content in masked subsystems. By default, the input parameter **Look under masks** is set to all.
- Allows exclusions of blocks and charts.

See Also

- hisl_0004: Usage of Math Function blocks (natural logarithm and base 10 logarithm)

Check usage of While Iterator blocks

Check ID: mathworks.hism.hisl_0006

Description

This check inspects the usage of While Iterator blocks.

Available with Simulink Check.

Results and Recommended Actions

Condition	Recommended Action
The model or subsystem contains a While Iterator block that has unlimited iterations. This condition can lead to infinite loops in the generated code.	For the identified While Iterator blocks: <ul style="list-style-type: none"> • Set the Maximum number of iterations (-1 for unlimited) parameter to a positive integer value. • Consider selecting the Show iteration number port check box and observe the iteration value during simulation.

Capabilities and Limitations

- Runs on library models.
- Analyzes content of library linked blocks. By default, the input parameter **Follow links** is set to on.
- Analyzes content in masked subsystems. By default, the input parameter **Look under masks** is set to all.
- Allows exclusions of blocks and charts.

See Also

- hisl_0006: Usage of While Iterator blocks

Check usage of For and While Iterator subsystems

Check ID: mathworks.hism.hisl_0007

Description

This check inspects the usage of time-dependent blocks in a For Iterator or While Iterator subsystem.

Available with Simulink Check.

Results and Recommended Actions

Condition	Recommended Action
<p>The model or subsystem contains one of the following time-dependent blocks in a For Iterator or While Iterator subsystem:</p> <ul style="list-style-type: none"> • Discrete State-Space • Discrete-Time Integrator • Discrete FIR Filter • Discrete Filter • Discrete Transfer Fcn • Discrete Zero-Pole • Transfer Fcn First Order • Transfer Fcn Real Zero • Transfer Fcn Lead or Lag • Discrete Transfer Function with Initial Outputs • Discrete Transfer Function with Initial States • Discrete Zero-Pole with Initial Outputs • Discrete Zero-Pole with Initial States • Discrete Derivative 	<p>In the model or subsystem, consider removing the time-dependent blocks.</p>

Capabilities and Limitations

- Runs on library models.
- Analyzes content of library linked blocks. By default, the input parameter **Follow links** is set to on.
- Analyzes content in masked subsystems. By default, the input parameter **Look under masks** is set to all.
- Allows exclusions of blocks and charts.

See Also

- hisl_0007: Usage of For Iterator or While Iterator subsystems

Check usage of For Iterator blocks

Check ID: mathworks.hism.hisl_0008

Description

This check inspects the usage of For Iterator blocks.

Available with Simulink Check.

Results and Recommended Actions

Condition	Recommended Action
The model or subsystem contains a For Iterator block that has variable iterations. This condition can lead to unpredictable execution times or infinite loops in the generated code.	<p>For the identified For Iterator blocks, do one of the following:</p> <ul style="list-style-type: none"> • Set the Iteration limit source parameter to internal. • If the Iteration limit source parameter must be external, use a Constant, Probe, or Width block as the source. • Clear the Set next i (iteration variable) externally check box. • Consider selecting the Show iteration variable check box and observe the iteration value during simulation.

Capabilities and Limitations

- Does not run on library models.
- Analyzes content of library linked blocks. By default, the input parameter **Follow links** is set to on.
- Analyzes content in masked subsystems. By default, the input parameter **Look under masks** is set to all.
- Allows exclusions of blocks and charts.

See Also

- hisl_0008: Usage of For Iterator Blocks

Check usage of If blocks and If Action Subsystem blocks

Check ID: mathworks.hism.hisl_0010

Description

This check inspects the usage of If blocks.

Available with Simulink Check.

Results and Recommended Actions

Condition	Recommended Action
The model or subsystem contains an If block using Elseif expressions without an Else condition.	In the If block Block Parameters dialog box, select Show else condition . Connect the resulting Else output port to an If Action Subsystem block.
The model or subsystem contains an If block with output ports that do not connect to If Action Subsystem blocks.	Verify that output ports of the If block connect to If Action Subsystem blocks.

Capabilities and Limitations

- Does not run on library models.
- Analyzes content of library linked blocks. By default, the input parameter **Follow links** is set to on.
- Analyzes content in masked subsystems. By default, the input parameter **Look under masks** is set to all.
- Allows exclusions of blocks and charts.

See Also

- hisl_0010: Usage of If blocks and If Action Subsystem blocks

Check usage of Switch Case blocks and Switch Case Action Subsystem blocks

Check ID: mathworks.hism.hisl_0011

Description

This check inspects the usage of Switch Case blocks

The check flags Switch Case blocks that do not use integer data types or enumeration values for inputs. To comply with “hisl_0011: Usage of Switch Case blocks and Action Subsystem blocks” - C, use an integer data type or an enumeration value for the inputs to Switch Case blocks.

Available with Simulink Check.

Results and Recommended Actions

Condition	Recommended Action
The model or subsystem contains a Switch Case block without a default case.	In the Switch Case block Block Parameters dialog box, select Show default case . Connect the resulting default output port to a Switch Case Action Subsystem block.
The model or subsystem contains a Switch Case block with an output port that does not connect to a Switch Case Action Subsystem block.	Verify that output ports of the Switch Case blocks connect to Switch Case Action Subsystem blocks.
The model or subsystem contains a Switch Case block with non-integer or non-enum input port data types.	Make sure that input data type of the Switch Case blocks is integer or enum.

Capabilities and Limitations

- Does not run on library models.
- Analyzes content of library linked blocks. By default, the input parameter **Follow links** is set to on.
- Analyzes content in masked subsystems. By default, the input parameter **Look under masks** is set to all.
- Allows exclusions of blocks and charts.

See Also

- hisl_0011: Usage of Switch Case blocks and Action Subsystem blocks

Check usage of conditionally executed subsystems

Check ID: mathworks.hism.hisl_0012

Description

This check identifies the blocks with incorrect sample times in conditionally executed subsystems and asynchronously executed sample time dependent blocks.

Available with Simulink Check.

Results and Recommended Actions

Condition	Recommended Action
Sample time for the blocks is not set to -1 in a conditionally executed subsystem: <ul style="list-style-type: none"> • If Action • Switch Case Action • Function-Call • Triggered • Enabled 	Change the sample time for the blocks to be -1.
The model contains asynchronously executed sample time dependent blocks: <ul style="list-style-type: none"> • Discrete State-Space • Discrete-Time Integrator • Discrete FIR Filter • Discrete Filter • Discrete Transfer Fcn • Discrete Zero-Pole • Transfer Fcn First Order • Transfer Fnc Real Zero • Transfer Fcn Lead or Lag • Discrete Transfer Function with Initial Outputs • Discrete Transfer Function with Initial States • Discrete Zero-Pole with Initial Outputs • Discrete Zero-Pole with Initial States • Discrete Derivative 	Remodel to remove the sample time dependent blocks.

Capabilities and Limitations

- The asynchronously executed sample-time dependent blocks are flagged only if Triggered and Function-call blocks are present.
- Does not run on library models.
- Analyzes content in masked subsystems. By default, the input parameter **Look under masks** is set to all.
- Analyzes content of library-linked blocks. By default, the input parameter **Follow links** is set to on.

See Also

- hisl_0012: Usage of conditionally executed subsystems

Check safety-related diagnostic settings for data store memory

Check ID: mathworks.hism.hisl_0013

Check model configuration for diagnostic settings that apply to data store memory and that can impact safety.

Description

This check verifies that model diagnostic configuration parameters pertaining to data store memory are set optimally for generating code for a safety-related application.

Available with Simulink Check.

Results and Recommended Actions

Condition	Recommended Action
The diagnostic that detects whether the model attempts to read data from a data store in which it has not stored data in the current time step is set to a value other than Enable all as errors . Reading data before it is written can result in use of stale data or data that is not initialized.	Set Detect read before write in the Configuration Parameters dialog box or set the parameter <code>ReadBeforeWriteMsg</code> to Enable all as errors .
The diagnostic that detects whether the model attempts to store data in a data store, after previously reading data from it in the current time step, is set to a value other than Enable all as errors . Writing data after it is read can result in use of stale or incorrect data.	Set Detect write after read in the Configuration Parameters dialog box or set the parameter <code>WriteAfterReadMsg</code> to Enable all as errors .
The diagnostic that detects whether the model attempts to store data in a data store twice in succession in the current time step is set to a value other than Enable all as errors . Writing data twice in one time step can result in unpredictable data.	Set Detect write after write in the Configuration Parameters dialog box or set the parameter <code>WriteAfterWriteMsg</code> to Enable all as errors .

Condition	Recommended Action
The diagnostic that detects when one task reads data from a Data Store Memory block to which another task writes data is set to none or warning. Reading or writing data in different tasks in multitask mode can result in corrupted or unpredictable data.	Set Multitask data store in the Configuration Parameters dialog box or set the parameter MultiTaskDSMMsg to error.
The diagnostic detects that the parameter Duplicate data store names is not set to error.	Set Duplicate data store names in the Configuration Parameters dialog box or set the parameter UniqueDataStoreMsg to error.

Action Results

Clicking **Modify Settings** configures model diagnostic settings that apply to data store memory and that can impact safety.

Capabilities and Limitations

- Does not run on library models.
- Does not allow exclusions of blocks or charts.

See Also

- hisl_0013: Usage of data store blocks

Check usage of Merge blocks

Check ID: mathworks.hism.hisl_0015

Description

This check identifies the Merge blocks that are not directly connected to a conditionally executed subsystem and have the **Allow unequal port widths** parameter set to on.

Available with Simulink Check.

Results and Recommended Actions

Condition	Recommended Action
Merge block is not connected directly to a conditionally executed subsystem.	Remodel so that the Merge blocks are connected directly to conditionally executed subsystems.
The Merge block parameter Allow unequal port widths is set to on .	Set the Merge block parameter Allow unequal port widths to off
Multiple subsystem executes during a time step in conditionally executed subsystems.	Specify execution of the conditionally executed subsystems such that only one subsystem executes during a time step.
The Outport block parameter Output when disabled is not set to held for any conditionally executed subsystems in the model.	Set the Outport block parameter Output when disabled to held for each conditionally executed subsystem being merged.

Capabilities and Limitations

- This check will not check the execution order for conditionally executed subsystems.
- Does not run on library models.
- Analyzes content in masked subsystems. By default, the input parameter **Look under masks** is set to `all`.
- Analyzes content of library-linked blocks. By default, the input parameter **Follow links** is set to `on`.

See Also

- `hisl_0015`: Usage of Merge blocks

Check relational comparisons on floating-point signals

Check ID: `mathworks.hism.hisl_0016`

Description

Identifies the relational blocks or operations that perform equality or inequality comparisons on floating-point signals.

Available with Simulink Check.

Results and Recommended Actions

Condition	Recommended Action
One or more relational operations used in the model perform equality or inequality comparisons on floating-point signals.	For the identified blocks and expressions, do one of these: <ul style="list-style-type: none"> • Change the signal data type. • Remodel to eliminate using <code>==</code> or <code>~=</code> operators on floating-point signals.
One or more If blocks used in the model have <code>If</code> expressions or <code>Elseif</code> expressions that might cause floating point equality or inequality comparisons in generated code.	Modify the expressions to avoid floating point equality and inequality comparisons in generated code.

Capabilities and Limitations

- Does not run on library models.
- Analyzes content of library-linked blocks. By default, the input parameter **Follow links** is set to `on`.
- Analyzes content in masked subsystems. By default, the input parameter **Look under masks** is set to `all`.
- Allows exclusions of blocks and charts.

See Also

- “`hisl_0016`: Usage of blocks that compute relational operators”

hisl_0016: Usage of equality and inequality comparisons on floating-point data types

Check usage of Relational Operator blocks

Check ID: mathworks.hism.hisl_0017

Description

This check inspects the usage of blocks that compute relational operators, including Relational Operator, Compare To Constant, Compare To Zero and, Detect Change blocks.

Available with Simulink Check.

Results and Recommended Actions

Condition	Recommended Action
The model or subsystem contains a block computing a relational operator that is operating on different data types. The condition can lead to unpredictable results in the generated code.	For the identified blocks, use common data types as inputs. You can use Data Type Conversion blocks to change input data types.
The model or subsystem contains a block computing a relational operator that does not have Boolean output. The condition can lead to unpredictable results in the generated code.	For the specified blocks, on the Block Parameters > Signal Attributes pane, set the Output data type to boolean.

Capabilities and Limitations

- Does not run on library models.
- Analyzes content of library linked blocks. By default, the input parameter **Follow links** is set to on.
- Analyzes content in masked subsystems. By default, the input parameter **Look under masks** is set to all.
- Allows exclusions of blocks and charts.

See Also

- hisl_0017: Usage of blocks that compute relational operators (2)

Check usage of Logical Operator blocks

Check ID: mathworks.hism.hisl_0018

Identify usage of Logical Operator blocks that might impact safety.

Description

This check inspects the usage of Logical Operator blocks.

Available with Simulink Check.

Results and Recommended Actions

Condition	Recommended Action
The model or subsystem contains a Logical Operator block that has inputs or outputs that are not Boolean inputs or outputs. The block might result in floating-point equality or inequality comparisons in the generated code.	<ul style="list-style-type: none"> • Modify the Logical Operator block so that all inputs and outputs are Boolean. On the Block Parameters > Signal Attributes pane, consider selecting Require all inputs to have the same data type and setting Output data type to <code>boolean</code>. • In the Configuration Parameters dialog box, consider selecting the Implement logic signals as boolean data (vs. double).

Capabilities and Limitations

- Does not run on library models.
- Analyzes content of library linked blocks. By default, the input parameter **Follow links** is set to `on`.
- Analyzes content in masked subsystems. By default, the input parameter **Look under masks** is set to `all`.
- Allows exclusions of blocks and charts.

See Also

- `hisl_0018`: Usage of Logical Operator block

Check usage of bit operation blocks

Check ID: `mathworks.hism.hisl_0019`

Identify bit operation blocks with signed data types as inputs

Description

This check identifies the use of the Bitwise Operations for the input and output data types. The check also looks at other bit operations blocks as following:

- Bit Clear
- Bit Set
- Bit Shift
- Bitwise operator
- Extract Bits
- Shift Arithmetic

Available with Simulink Check.

Results and Recommended Actions

Condition	Recommended Action
Bitwise Operations are not used with signed data types.	Use signed data type for Bitwise operations.

Capabilities and Limitations

- Allows exclusions of blocks and charts.
- Analyzes content in masked subsystems. By default, the input parameter **Look under masks** is set to `all`.
- Analyzes content of library-linked blocks. By default, the input parameter **Follow links** is set to `on`.

See Also

- `hisl_0019`: Usage of bitwise operations

Check for blocks not recommended for C/C++ production code deployment

Check ID: `mathworks.hism.hisl_0020`

Identify blocks not supported by code generation or not recommended for C/C++ production code deployment.

Description

This check partially identifies model constructs that are not recommended for C/C++ production code generation. For Simulink Coder™ and Embedded Coder®, these model construct identities appear in tables of Simulink Block Support (Simulink Coder).

In some instances, this check flags blocks that are supported for code generation. For these blocks, you should review the footnote information that is provided in the support notes and adhere to the recommended action provided by the Model Advisor.

Available with a Simulink Check.

Results and Recommended Actions

Condition	Recommended Action
The model or subsystem contains blocks that should not be used for production code deployment.	Consider replacing the blocks listed in the results. Click an element from the list of questionable items to locate condition.
The model or subsystem contains blocks that are supported but not recommended for production code generation.	Review the support notes and adhere to the recommended action provided by the Model Advisor.

Capabilities and Limitations

- Runs on library models.

- Analyzes content of library linked blocks.
- Analyzes content in masked subsystems.
- Allows exclusions of blocks and charts.

See Also

- DO-331, Section MB.6.3.2.b - Low-level requirements are accurate and consistent
- “hisl_0020: Blocks not recommended for MISRA C:2012 compliance”
- “Use Blocks and Products Supported for Code Generation” (Simulink Coder)
- IEC 61508-3, Table A.3 (3) - Language subset
- IEC 62304, 5.5.3 - Software Unit acceptance criteria
- ISO 26262-6, Table 1 (1b) - Use of language subsets
- EN 50128, Table A.4 (11) - Language Subset
- “Use Blocks and Products Supported for Code Generation” (Simulink Coder)
- “Model Advisor Exclusion Overview”

Check for inconsistent vector indexing methods

Check ID: `mathworks.hism.hisl_0021`

Identify blocks with inconsistent indexing method.

Description

Using inconsistent block indexing methods can result in modeling errors. You should use a consistent vector indexing method for all blocks. The indexing methods are zero-based, one-based or user-specified.

Blocks that support configurable indexing:

- Assignment
- For Iterator
- Index Vector
- Multiport Switch
- Selector

Blocks that support only one-based indexing:

- Fcn (deprecated)
- MATLAB Function
- MATLAB System
- State Transition Table
- Test Sequence
- Truth Table
- Stateflow chart with MATLAB action language
- Truth Table function with MATLAB action language

Blocks that supports only zero-based indexing:

- Stateflow chart with C action language
- Truth Table function with C action language

Available with Simulink Check.

Results and Recommended Actions

Condition	Recommended Action
The model or subsystem contains blocks with inconsistent indexing methods. The indexing methods are zero-based, one-based or user-specified.	Modify the model to use a single consistent indexing method.

Capabilities and Limitations

- Runs on library models.
- Analyzes content in masked subsystems. By default, the input parameter **Look under masks** is set to `all`.
- Analyzes content of library-linked blocks. By default, the input parameter **Follow links** is set to `on`.
- Allows exclusions of blocks and charts.

See Also

- `hisl_0021`: Consistent vector indexing method

Check data types for blocks with index signals

Check ID: `mathworks.hism.hisl_0022`

Description

This check Identifies the blocks with index signals that have data types other than integers or enum and are within the range of indexed values.

Available with Simulink Check.

Check Parameterization

You can use Model Advisor Configuration Editor to configure this check to include files with a `.m` extension in the analysis. To enable this feature, in the **Input Parameters** section, select **Check external .m files referenced in the model**.

Results and Recommended Actions

Condition	Recommended Action
One or more Simulink blocks in the model have index signals that have data types other than integer or enum.	Change the data type of block index signals to an integer or enum data type that covers the range of indexed values.

Condition	Recommended Action
One or more MATLAB Function blocks have index variables with inappropriate data types.	Change the data type of index variables to an integer or enum data type that covers the range of indexed values.
One or more Stateflow charts in the model have index variables that have data types other than integer or enum.	Change the data type of index signals of the blocks to an integer or enum data type that covers the range of indexed values.

Capabilities and Limitations

- This check does not support dialog set indices.
- Analyzes content in masked subsystems. By default, the input parameter **Look under masks** is set to `graphical`.
- Analyzes content of library-linked blocks. By default, the input parameter **Follow links** is set to `on`.
- Allows exclusions of blocks and charts.

See Also

- `hisl_0022`: Data type selection for index signals

Check usage of variant blocks

Check ID: `mathworks.hism.hisl_0023`

Check variant block parameters for settings that might result in code that does not trace to requirements.

Description

This check verifies that variant block parameters for code generation are set to trace to requirements.

Available with Simulink Check.

Results and Recommended Actions

Condition	Recommended Action
The option to generate preprocessor conditionals is selected in one or more variant blocks in the model.	In order to simplify the tracing of code to requirements, consider clearing the option to generate preprocessor conditionals in variant blocks.

Capabilities and Limitations

- Does not run on library models.
- Analyzes content of library linked blocks.
- Analyzes content in masked subsystems.
- Does not allow exclusions of blocks or charts.

See Also

- hisl_0023: Verification of variant blocks

Check for root Inports with missing properties

Check ID: mathworks.hism.hisl_0024

Identify root model Inport blocks with missing or inherited sample times, data types or port dimensions.

Description

Using root model Inport blocks that do not have defined sample time, data types or port dimensions can lead to undesired simulation results. Simulink back-propagates dimensions, sample times, and data types from downstream blocks unless you explicitly assign these values. You can specify Inport block properties with block parameters or Simulink signal objects that explicitly resolve to the connected signal lines. When you run the check, a results table provides links to Inport blocks and signal objects that do not pass, along with conditions triggering the warning.

Available with Simulink Check.

Results and Recommended Actions

Condition	Recommended Action
Missing port dimension — Model contains Inport blocks with inherited port dimensions.	For the listed Inport blocks and Simulink signal objects, specify port dimensions.
Missing signal data type — Model contains Inport blocks with inherited data types.	For the listed Inport blocks and Simulink signal objects, specify data types.
Missing port sample time — Model contains Inport blocks with inherited sample times.	For the listed Inport blocks and Simulink signal objects, specify sample times. The sample times for root Inports with bus type must match the sample times specified at the leaf elements of the bus object.
Implicit resolution to a Simulink signal object — Model contains Inport block signal names that implicitly resolve to a Simulink signal object in the base workspace, model workspace, or Simulink data dictionary.	For the listed Simulink signal objects, in the property dialog, select signal property Signal name must resolve to Simulink signal object . To set this option programmatically, use the port parameter MustResolveToSignalObject .

Capabilities and Limitations

- Does not run on library models.
- Allows exclusions of blocks and charts.

Tips

The following configurations pass this check:

- **Configuration Parameters > Solver > Periodic sample time constraint** is set to Ensure sample time independent

- For export-function models, *inherited sample time* is not flagged.

See Also

- hisl_0024: Inport interface definition

Check for root Inports with missing range definitions

Check ID: mathworks.hism.hisl_0025

Identify root level Inport blocks with missing or erroneous minimum or maximum range values.

Description

The check identifies root level Inport blocks with missing or erroneous minimum or maximum range values. You can specify Inport block minimum and maximum values with block parameters or Simulink signal objects that explicitly resolve to the connected signal lines. A results table provides links to Inport blocks and signal objects that do not pass the check, along with conditions triggering the warning.

Available with Simulink Check.

Results and Recommended Actions

Condition	Recommended Action
Missing range — Model contains Inport blocks with numeric data types that have missing range parameters (minimum and/or maximum).	For the listed Inport blocks and Simulink signal objects, specify scalar minimum and maximum parameters.
Missing range(s) for bus object — Bus objects defining the Inport blocks have bus elements with missing ranges.	For the listed bus elements, to specify the model interface range, provide scalar minimum and maximum parameters.
Range specified will be ignored — Minimum or maximum values at Inports or Simulink signal objects are not supported for bus data types. The values are ignored during range checking.	To enable range checking, specify minimum and maximum signal values on the bus elements of the bus objects defining the data type.
No data type specified — Model contains Inport blocks or Simulink signal objects with inherited data types.	Specify one of the supported data types: <ul style="list-style-type: none"> • Enum • Simulink.AliasType • Simulink.Bus • Simulink.NumericType • build-in
Implicit resolution to a Simulink signal object — Model contains Inport block signal names that implicitly resolve to a Simulink signal object in the base workspace, model workspace, or Simulink data dictionary.	For the listed Simulink signal objects, in the property dialog, select signal property Signal name must resolve to Simulink signal object . To set this option programmatically, use the port parameter MustResolveToSignalObject .

Capabilities and Limitations

- Does not run on library models.
- Allows exclusions of blocks and charts.

See Also

- hisl_0025: Design min/max specification of input interfaces

Check for root Outports with missing range definitions

Check ID: mathworks.hism.hisl_0026

Identify root level Outport blocks with missing or erroneous minimum or maximum range values.

Description

The check identifies root level Outport blocks with missing or erroneous minimum or maximum range values. You can specify Outport block minimum and maximum values with block parameters or Simulink signal objects that explicitly resolve to the connected signal lines. A results table provides links to Outport blocks that do not pass the check, along with conditions triggering the warning.

Available with Simulink Check.

Results and Recommended Actions

Condition	Recommended Action
Missing range — Model contains Outport blocks with numeric data types that have missing range parameters (minimum and/or maximum).	For the listed Outport blocks and Simulink signal objects, specify scalar minimum and maximum parameters.
Missing range(s) for bus object — Bus objects defining the Outport blocks have leaf elements with missing ranges.	For the listed leaf elements, to specify the model interface range, provide scalar minimum and maximum parameters.
Range specified at Outport will be ignored — Minimum or maximum values at Outports or Simulink signal objects are not supported for bus data types. The values are ignored during range checking.	To enable range checking, specify minimum and maximum signal values on the leaf elements of the bus objects defining the data type.
No bus data type specified — Model contains Outport block or Simulink signal objects with inherited bus data types.	For the Outport blocks and Simulink signal objects, specify one of the supported data types: <ul style="list-style-type: none"> • Enum • Simulink.AliasType • Simulink.Bus • Simulink.NumericType • built-in

Condition	Recommended Action
Implicit resolution to a Simulink signal object — Model contains Outport block signal names that implicitly resolve to a Simulink signal object in the base workspace, model workspace, or Simulink data dictionary.	For the listed Simulink signal objects, in the property dialog, select signal property Signal name must resolve to Simulink signal object . To set this option programmatically, use the port parameter MustResolveToSignalObject .

Capabilities and Limitations

- This check does not flag ports with data type of Enum or Boolean when min max values are not set.
- Does not run on library models.
- Allows exclusions of blocks and charts.

See Also

- hisl_0026: Design min/max specification of output interfaces

Check usage of Assignment blocks

Check ID: mathworks.hism.hisl_0029

Identify usage of Math Operation blocks that might impact safety.

Description

This check inspects the usage of the Assignment blocks.

Available with Simulink Check.

Results and Recommended Actions

Condition	Recommended Action
The model or subsystem might contain Assignment blocks with incomplete array initialization (not in the iterator subsystem) that do not have block parameter Action if any output element is not assigned set to Error or Warning .	Set block parameter Action if any output element is not assigned to one of the recommended values: <ul style="list-style-type: none"> • Error • Warning
The model or subsystem might contain Assignment blocks in the iterator subsystem and the parameter Action if any output element is not assigned is not set to Error .	Set block parameter Action if any output element is not assigned to Error .

Capabilities and Limitations

- Does not run on library models.
- Analyzes content of library linked blocks.
- Analyzes content in all masked subsystems.
- Allows exclusions of blocks and charts.

See Also

- hisl_0029: Usage of Assignment blocks

Check model file name

Check ID: mathworks.hism.hisl_0031

Description

This check inspects the model file name to ensure that the name complies with the recommended guidelines.

Available with Simulink Check.

Results and Recommended Actions

Condition	Recommended Action
The file name contains illegal characters.	Rename the file. Allowed characters are a-z, A-Z, 0-9, and underscore (_).
The file name starts with a number.	Make sure that the file name does not start with a number.
The file name starts with an underscore ("_").	Make sure that the file name does not start with an underscore ("_").
The file name ends with an underscore ("_").	Make sure that the file name does not end with an underscore ("_").
The file extension contains one or more underscores.	Change the file extension.
The file name has consecutive underscores.	Rename the file to eliminate trailing underscore.
The file name contains more than one dot (".").	Make sure that the file name does not have more than one dot (".").
the file name is a C/C++ or MATLAB keyword or built in function	Rename the file.

Capabilities and Limitations

- Runs on library models.

See Also

- hisl_0031: Model file names

Check model object names

Check ID: mathworks.hism.hisl_0032

Check model object names.

Description

This check verifies that the following model object names comply with your own modeling guidelines or the high-integrity modeling guidelines. The check also verifies that the model object does not use a reserved name.

- Blocks
- Signals
- Parameters
- Buses
- Stateflow objects

Reserved names:

- MATLAB keywords
- Reserved keywords for C, C++, and code generation. For a complete list, see “Reserved Keywords” (Simulink Coder)
- `int8`, `uint8`
- `int16`, `uint16`
- `int32`, `uint32`
- `inf`, `Inf`
- `NaN`, `nan`
- `eps`
- `intmin`, `intmax`
- `realmin`, `realmax`
- `pi`
- `infinity`
- `Nil`

Note In some cases, the Model Advisor reports an issue in multiple subchecks of this check.

Available with Simulink Check.

Input Parameters

To specify the naming standard and model object names that the check flags, use the Model Advisor Configuration Editor.

- 1 Open the Model Configuration Editor and navigate to **Check model object names**. In the **Input Parameters** pane, for each of the model objects, select one of the following:
 - MAB to use the MAB naming standard. When you select MAB, the check uses the regular expression `(^\{32,\}$)|([\^a-zA-Z_0-9])|(\^)|(__)|(\^_)|(_ $)` to verify that names:
 - Use these characters: a-z, A-Z, 0-9, and the underscore (`_`).
 - Do not start with a number.

- Do not use underscores at the beginning or end of a string.
 - Do not use more than one consecutive underscore.
 - Use strings that are less than 32 characters.
 - Custom to use your own naming standard. When you select Custom, you can enter your own **Regular expression for prohibited <model object> names**. For example, if you want to allow more than one consecutive underscore, enter `(^{32,}$)|([a-zA-Z_0-9])|(^\\d)|(^)|(^_)|(^_)$`
 - None if you do not want the check to verify the model object name
- 2 Click **Apply**.
 - 3 Save the configuration. When you run the check using this configuration, the check uses the input parameters that you specified.

Results and Recommended Actions

Condition	Recommended Action
The model object names do not comply with the naming standard specified in the input parameters.	Update the model object names to comply with your own guidelines or the high-integrity guidelines.

Capabilities and Limitations

- Does not run on library models.
- Does not analyze content of library linked blocks.
- Does not analyze content in all masked subsystems.
- Allows exclusions of blocks and charts.

See Also

- “hisl_0032: Model object names”
- MAB guidelines:
 - jc_0201: Usable characters for subsystem names
 - jc_0211: Usable characters for Inport blocks and Outport block
 - jc_0231: Usable characters for block names
 - na_0019: Restricted variable names

Check usage of lookup table blocks

Check ID: `mathworks.hism.hisl_0033`

Check for lookup table blocks that do not generate out-of-range checking code.

Description

This check verifies that the following blocks generate code to protect against inputs that fall outside the range of valid breakpoint values:

- 1-D Lookup Table
- 2-D Lookup Table

- n-D Lookup Table
- Prelookup

This check also verifies that Interpolation Using Prelookup blocks generate code to protect against inputs that fall outside the range of valid index values.

Available with Simulink Check.

Results and Recommended Actions

Condition	Recommended Action
The lookup table block does not generate out-of-range checking code.	Change the setting on the block dialog box so that out-of-range checking code is generated. <ul style="list-style-type: none"> • For the 1-D Lookup Table, 2-D Lookup Table, n-D Lookup Table, and Prelookup blocks, clear the check box for Remove protection against out-of-range input in generated code. • For the Interpolation Using Prelookup block, clear the check box for Remove protection against out-of-range index in generated code.

Capabilities and Limitations

- Runs on library models.
- Analyzes content in masked subsystems. By default, the input parameter **Look under masks** is set to all.
- Analyzes content of library-linked blocks. By default, the input parameter **Follow links** is set to on.
- Allows exclusions of blocks and charts.

Action Results

Clicking **Modify** verifies that lookup table blocks are set to generate out-of-range checking code.

See Also

- hisl_0033: Usage of Lookup Table blocks

Check usage of Signal Routing blocks

Check ID: mathworks.hism.hisl_0034

Identify usage of Signal Routing blocks that might impact safety.

Description

This check identifies model or subsystem Switch blocks that might generate code with inequality operations (~=) in expressions that contain a floating-point variable or constant.

Available with Simulink Check.

Results and Recommended Actions

Condition	Recommended Action
The model or subsystem contains a Switch block that might generate code with inequality operations ($\sim=$) in expressions where at least one side of the expression contains a floating-point variable or constant. The Switch block might cause floating-point inequality comparisons in the generated code.	For the identified block, do one of the following: <ul style="list-style-type: none"> For the control input block, change the Data type parameter setting. Change the Switch block Criteria for passing first input parameter setting. This might change the algorithm.

Capabilities and Limitations

- Does not run on library models.
- Analyzes content of library linked blocks.
- Analyzes content in all masked subsystems.
- Allows exclusions of blocks and charts.

See Also

- hisl_0034: Usage of Signal Routing blocks

Check safety-related diagnostic settings for saving

Check ID: mathworks.hism.hisl_0036

Check model configuration for diagnostic settings that apply to saving model files

Description

This check verifies that model configuration parameters are set optimally for saving a model for a safety-related application.

Available with Simulink Check.

Results and Recommended Actions

Condition	Recommended Action
The diagnostic that detects whether a model contains disabled library links before the model is saved is set to none or warning. If this condition is undetected, incorrect code might be generated.	Set Block diagram contains disabled library links in the Configuration Parameters dialog box or set parameter SaveWithDisabledLinkMsg to error.
The diagnostic that detects whether a model contains library links that are using parameters not in a mask before the model is saved is set to none or warning. If this condition is undetected, incorrect code might be generated.	Set Block diagram contains parameterized library links in the Configuration Parameters dialog box or set parameter SaveWithParameterizedLinksMsg to error.

Action Results

Clicking **Modify Settings** configures model diagnostic settings that apply to saving a model file.

Capabilities and Limitations

- Does not run on library models.
- Does not allow exclusions of blocks or charts.

See Also

- hisl_0036: Configuration Parameters > Diagnostics > Saving

Check safety-related model referencing settings

Check ID: mathworks.hism.hisl_0037

Check model configuration for model referencing settings that can impact safety.

Description

This check verifies that model configuration parameters for model referencing are set optimally for generating code for a safety-related application.

Available with Simulink Check.

Results and Recommended Actions

Condition	Recommended Action
The referenced model is configured such that its target is rebuilt whenever you update, simulate, or generate code for the model, or if the Simulink software detects changes in known dependencies. These configuration settings can result in unnecessary regeneration of the code, resulting in changing only the date of the file and slowing down the build process when using model references.	Set Rebuild on the Model Referencing pane in the Configuration Parameters dialog box or set the parameter UpdateModelReferenceTargets to Never or If any changes detected.
The diagnostic that detects whether a target needs to be rebuilt is set to None or Warn if targets require rebuild. For safety-related applications, an error should alert model developers that the parent and referenced models are inconsistent. This diagnostic parameter is available only if Rebuild is set to Never.	Set the configuration parameter Never rebuild diagnostics on the Model Referencing pane in the Configuration Parameters dialog box or set the parameter CheckModelReferenceTargetMessage to error.
The ability to pass scalar root input by value is off. This capability should be off because scalar values can change during a time step and result in unpredictable data. This parameter is only available when the config parameter Total number of instances allowed per top model is set to One or Multiple (ModelReferenceNumInstancesAllowed is single or multi).	Set Pass fixed-size scalar root inputs by value for code generation on the Model Referencing pane in the Configuration Parameters dialog box or set the parameter ModelReferencePassRootInputsByReference to off.

Condition	Recommended Action
The model is configured to minimize algebraic loop occurrences. This configuration is incompatible with the recommended setting of Single output/update function for embedded systems code.	In the Configuration Parameters dialog box, set Minimize algebraic loop occurrences or set parameter <code>ModelReferenceMinAlgLoopOccurrences</code> to off.

Action Results

Clicking **Modify Settings** configures model referencing settings that can impact safety.

Subchecks depend on the results of the subchecks noted with **D** in the results table in the Model Advisor window.

Capabilities and Limitations

- Does not run on library models.
- Does not allow exclusions of blocks or charts.

See Also

- hisl_0037: Configuration Parameters > Model Referencing

Check safety-related code generation settings for comments

Check ID: `mathworks.hism.hisl_0038`

Check model configuration for code generation settings that can impact safety.

Description

This check verifies that model configuration parameters for code generation are set optimally for a safety-related application.

Available with Simulink Check.

Results and Recommended Actions

Condition	Recommended Action
The option to include comments in the generated code is cleared. Comments provide good traceability between the code and the model.	Select Include comments (Simulink Coder) on the Code Generation > Comments pane in the Configuration Parameters dialog box or set the parameter <code>GenerateComments</code> to on.
The option to include comments that describe the code for blocks is cleared. Comments provide good traceability between the code and the model.	Select “Simulink block comments” (Simulink Coder) on the Code Generation > Comments pane in the Configuration Parameters dialog box or set the parameter <code>SimulinkBlockComments</code> to on.
The option to include comments that describe the code for blocks eliminated from a model is cleared. Comments provide good traceability between the code and the model.	Select Show eliminated blocks (Simulink Coder) on the Code Generation > Comments pane in the Configuration Parameters dialog box or set the parameter <code>ShowEliminatedStatement</code> to on.

Condition	Recommended Action
The option to include the names of parameter variables and source blocks as comments in the model parameter structure declaration in <i>model_prm.h</i> is cleared. Comments provide good traceability between the code and the model.	Select Verbose comments for 'Model default' storage class (Simulink Coder) on the Code Generation > Comments pane in the Configuration Parameters dialog box or set the parameter ForceParamTrailComments to on.
The option to include requirement descriptions assigned to Simulink blocks as comments is cleared. Comments provide good traceability between the code and the model.	Select Requirements in block comments (Embedded Coder) on the Code Generation > Custom comments pane in the Configuration Parameters dialog box or set the parameter ReqsInCode to on.

Action Results

Clicking **Modify Settings** configures model code generation settings that can impact safety.

Subchecks depend on the results of the subchecks noted with **D** in the results table in the Model Advisor window.

Capabilities and Limitations

- Does not run on library models.
- Does not allow exclusions of blocks or charts.

See Also

- hisl_0038: Configuration Parameters > Code Generation > Comments
- “Model Configuration Parameters: Comments” (Simulink Coder)
- “Model Configuration Parameters: Code Generation Identifiers” (Simulink Coder)
- “Model Configuration Parameters: Code Generation Interface” (Simulink Coder)
- “Model Configuration Parameters: Code Style” (Embedded Coder)

Check safety-related code generation interface settings

Check ID: mathworks.hism.hisl_0039

Check model configuration for code generation settings that can impact safety.

Description

This check verifies that model configuration parameters for code generation are set optimally for a safety-related application.

Available with Simulink Check.

Results and Recommended Actions

Condition	Recommended Action
The option to generate nonfinite data and operations is selected. Support for nonfinite numbers is inappropriate for real-time embedded systems.	Clear Support: non-finite numbers (Simulink Coder) on the Code Generation > Interface pane in the Configuration Parameters dialog box or set the parameter SupportNonFinite to off.
The option to generate and maintain integer counters for absolute and elapsed time is selected. Support for absolute time is inappropriate for real-time safety-related systems.	Clear Support: absolute time (Embedded Coder) on the Code Generation > Interface pane in the Configuration Parameters dialog box or set the parameter SupportAbsoluteTime to off.
The option to generate code for blocks that use continuous time is selected. Support for continuous time is inappropriate for real-time safety-related systems.	Clear Support: continuous time (Embedded Coder) on the Code Generation > Interface pane in the Configuration Parameters dialog box or set the parameter SupportContinuousTime to off.
The option to generate code for noninlined S-functions is selected. This option requires support of nonfinite numbers, which is inappropriate for real-time safety-related systems.	Clear Support: non-inlined S-functions (Embedded Coder) in the Configuration Parameters dialog box or set the parameter SupportNonInlinedSFcns to off.
The option to generate model function calls compatible with the main program module of the pre-R2012a GRT target is selected. This option is inappropriate for real-time safety-related systems.	Clear Classic call interface (Simulink Coder) on the Code Generation > Interface pane in the Configuration Parameters dialog box or set the parameter GRTInterface to off.
The option to generate the <i>model_update</i> function is cleared. Having a single call to the output and update functions simplifies the interface to the real-time operating system (RTOS) and simplifies verification of the generated code.	Select Single output/update function (Simulink Coder) on the Code Generation > Interface pane in the Configuration Parameters dialog box or set the parameter CombineOutputUpdateFcns to on.
The option to generate the <i>model_terminate</i> function is selected. This function deallocates dynamic memory, which is unsuitable for real-time safety-related systems.	Clear Terminate function (Embedded Coder) on the Code Generation pane in the Configuration Parameters dialog box or set the parameter IncludeMdlTerminateFcn to off.
The option to log or monitor error status is cleared. If you do not select this option, the Simulink Coder product generates extra code that might not be reachable for testing.	Select Remove error status field in real-time model data structure (Embedded Coder) on the Code Generation > Interface pane in the Configuration Parameters dialog box or set the parameter SuppressErrorStatus to on.
MAT-file logging is selected. This option adds extra code for logging test points to a MAT-file, which is not supported by embedded targets. Use this option only in test harnesses.	Clear MAT-file logging (Simulink Coder) in the Configuration Parameters dialog box or set the parameter MatFileLogging to off.

Action Results

Clicking **Modify Settings** configures model code generation settings that can impact safety.

Subchecks depend on the results of the subchecks noted with **D** in the results table in the Model Advisor window.

Capabilities and Limitations

- Does not run on library models.
- Does not allow exclusions of blocks or charts.

See Also

- hisl_0039: Configuration Parameters > Code Generation > Interface
- “Model Configuration Parameters: Comments” (Simulink Coder)
- “Model Configuration Parameters: Code Generation Identifiers” (Simulink Coder)
- “Model Configuration Parameters: Code Generation Interface” (Simulink Coder)
- “Model Configuration Parameters: Code Style” (Embedded Coder)

Check safety-related solver settings for simulation time

Check ID: `mathworks.hism.hisl_0040`

Check solver settings in the model configuration that apply to simulation time and might impact safety.

Description

This check verifies that the model solver configuration parameters pertaining to simulation time are set optimally for generating code for a safety-related application.

Available with Simulink Check.

Results and Recommended Actions

Condition	Recommended Action
The solver setting to specify the start time for the simulation or generated code is set to a value other than 0.0.	In the Configuration Parameters dialog box, set “Start time” or set the parameter <code>StartTime</code> to 0.0.
The solver setting to specify the stop time for the simulation or generated code is set to a negative value or a positive value greater than the value of “Application lifespan (days)”. By default, “Application lifespan (days)” is <code>auto</code> . If you do not change this setting, any positive value for “Stop time” is valid.	In the Configuration Parameters dialog box, set “Stop time” or set the parameter <code>StopTime</code> to a positive value that is less than the value of “Application lifespan (days)”.

Action Results

Clicking **Modify Settings** configures model diagnostic settings that apply to solvers and that can impact safety.

Capabilities and Limitations

- Does not run on library models.
- Does not allow exclusions of blocks or charts.

- Analyzes content in masked subsystems.

See Also

- hisl_0040: Configuration Parameters > Solver > Simulation time

Check safety-related solver settings for solver options

Check ID: mathworks.hism.hisl_0041

Check solver settings in the model configuration that apply to solvers and might impact safety.

Description

This check verifies that the model solver configuration parameters pertaining to solvers are set optimally for generating code for a safety-related application.

Available with Simulink Check.

Results and Recommended Actions

Condition	Recommended Action
The solver setting to specify the type of solver to simulate model is set to <code>Variable-step</code> .	In the Configuration Parameters dialog box, set "Type" or set the parameter <code>SolverType</code> to <code>Fixed-step</code> .
The solver setting to specify the solver to compute the states of the model during simulation or code generation is set to a value other than <code>Discrete(no continuous states)</code> .	In the Configuration Parameters dialog box, set "Solver" to <code>discrete(no continuous states)</code> or set the parameter <code>Solver</code> to <code>FixedStepDiscrete</code> .

Action Results

Clicking **Modify Settings** configures model diagnostic settings that apply to solvers and that can impact safety.

Capabilities and Limitations

- Does not run on library models.
- Does not allow exclusions of blocks or charts.
- Analyzes content in masked subsystems.

See Also

- hisl_0041: Configuration Parameters > Solver > Solver options

Check safety-related solver settings for tasking and sample-time

Check ID: mathworks.hism.hisl_0042

Check solver settings in the model configuration that apply to periodic sample time constraints and might impact safety.

Description

This check verifies that model configuration parameters are set optimally to ensure that the model operates at a specific set of prioritized periodic sample times for a safety-related application.

Available with Simulink Check.

Results and Recommended Actions

Condition	Recommended Action
Configuration parameter Automatically handle rate transition for data transfer is selected.	Clear Automatically handle rate transition for data transfer in the Configuration Parameters dialog box or set parameter <code>AutoInsertRateTranBlk</code> to off.

Capabilities and Limitations

- Does not run on library models.
- Does not allow exclusions of blocks or charts.

See Also

- `hisl_0042`: Configuration Parameters > Solver > Tasking and sample time options

Check safety-related diagnostic settings for solvers

Check ID: `mathworks.hism.hisl_0043`

Check model configuration for diagnostic settings that apply to solvers and that can impact safety.

Description

This check verifies that model diagnostic configuration parameters pertaining to solvers are set optimally for generating code for a safety-related application.

Available with Simulink Check.

Results and Recommended Actions

Condition	Recommended Action
The diagnostic for detecting automatic breakage of algebraic loops is set to none or warning. The breaking of algebraic loops can affect the predictability of the order of block execution. For safety-related applications, a model developer needs to know when such breaks occur.	Set Algebraic loop on the Diagnostics > Solver pane in the Configuration Parameters dialog box or set the parameter <code>AlgebraicLoopMsg</code> to error. Consider breaking such loops explicitly with Unit Delay blocks so that the execution order is predictable. At a minimum, verify that the results of loops breaking automatically are acceptable.

Condition	Recommended Action
The diagnostic for detecting automatic breakage of algebraic loops for Model blocks, atomic subsystems, and enabled subsystems is set to <code>none</code> or <code>warning</code> . The breaking of algebraic loops can affect the predictability of the order of block execution. For safety-related applications, a model developer needs to know when such breaks occur.	Set Minimize algebraic loop on the Diagnostics > Solver pane in the Configuration Parameters dialog box or set the parameter <code>ArtificialAlgebraicLoopMsg</code> to error. Consider breaking such loops explicitly with Unit Delay blocks so that the execution order is predictable. At a minimum, verify that the results of loops breaking automatically are acceptable.
The diagnostic for detecting potential conflict in block execution order is set to <code>none</code> or <code>warning</code> . For safety-related applications, block execution order must be predictable. A model developer needs to know when conflicting block priorities exist.	Set Block priority violation on the Diagnostics > Solver pane in the Configuration Parameters dialog box or set the parameter <code>BlockPriorityViolationMsg</code> to error.
The diagnostic for detecting whether the Simulink software automatically modifies the solver, step size, or simulation stop time is set to <code>none</code> or <code>warning</code> . Such changes can affect the operation of generated code. For safety-related applications, it is better to detect such changes so a model developer can explicitly set the parameters to known values.	Set Automatic solver parameter selection on the Diagnostics > Solver pane in the Configuration Parameters dialog box or set the parameter <code>SolverPrmCheckMsg</code> to error.
The diagnostic for detecting when a name is used for more than one state in the model is set to <code>none</code> . State names within a model should be unique. For safety-related applications, it is better to detect name clashes so a model developer can fix them.	Set State name clash on the Diagnostics > Solver pane in the Configuration Parameters dialog box or set the parameter <code>StateNameClashWarn</code> to warning.

Action Results

Clicking **Modify Settings** configures model diagnostic settings that apply to solvers and that can impact safety.

Capabilities and Limitations

- Does not run on library models.
- Does not allow exclusions of blocks or charts.

See Also

- `hisl_0043`: Configuration Parameters > Diagnostics > Solver

Check safety-related diagnostic settings for sample time

Check ID: `mathworks.hism.hisl_0044`

Check model configuration for diagnostic settings that apply to sample time and that can impact safety.

Description

This check verifies that model diagnostic configuration parameters pertaining to sample times are set optimally for generating code for a safety-related application.

Available with Simulink Check.

Results and Recommended Actions

Condition	Recommended Action
The diagnostic for detecting when a source block, such as a Sine Wave block, inherits a sample time (specified as -1) is set to none or warning . The use of inherited sample times for a source block can result in unpredictable execution rates for the source block and blocks connected to it. For safety-related applications, source blocks should have explicit sample times to prevent incorrect execution sequencing.	Set Source block specifies -1 sample time on the Diagnostics > Sample Time pane in the Configuration Parameters dialog box or set the parameter <code>InheritedTsInSrcMsg</code> to error.
The diagnostic for detecting invalid data transfer between two blocks operating in multitasking mode is set to none or warning . Such data transfer should not be used for embedded real-time code.	Set Multitask data transition on the Diagnostics > Sample Time pane in the Configuration Parameters dialog box or set the parameter <code>MultiTaskRateTransMsg</code> to error.
The diagnostic for detecting subsystems that can cause data corruption or nondeterministic behavior is set to none or warning . This diagnostic detects whether conditionally executed multirate subsystems (enabled, triggered, or function-call subsystems) operate in multitasking mode. Such subsystems can corrupt data and behave unpredictably in real-time environments that allow preemption.	Set Multitask conditionally executed subsystem on the Diagnostics > Sample Time pane in the Configuration Parameters dialog box or set the parameter <code>MultiTaskCondExecSysMsg</code> to error.
The diagnostic for checking sample time consistency between a Signal Specification block and the connected destination block is set to none or warning . An over-specified sample time can result in an unpredictable execution rate.	Set Enforce sample times specified by Signal Specification blocks on the Diagnostics > Sample Time pane in the Configuration Parameters dialog box or set the parameter <code>SigSpecEnsureSampleTimeMsg</code> to error.
The diagnostic detects that the parameter Single task data transfer is not set to error.	Set Single task data transfer in the Configuration Parameters dialog box or set the parameter <code>SingleTaskRateTransMsg</code> to error.
The diagnostic detects that the parameter Tasks with equal priority is not set to error.	Set Tasks with equal priority in the Configuration Parameters dialog box or set the parameter <code>TasksWithSamePriorityMsg</code> to error.

Condition	Recommended Action
The diagnostic for detecting whether a model contains an S-function that has not been specified explicitly to inherit sample time is set to none or warning. These settings can result in unpredictable behavior. A model developer needs to know when such an S-function exists in a model so it can be modified to produce predictable behavior.	Set Unspecified inheritability of sample time in the Configuration Parameters dialog box or set parameter UnknownTsInhSupMsg to error.

Action Results

Clicking **Modify Settings** configures model diagnostic settings that apply to sample time and that can impact safety.

Capabilities and Limitations

- Does not run on library models.
- Does not allow exclusions of blocks or charts.

See Also

- hisl_0044: Configuration Parameters > Diagnostics > Sample Time

Check safety-related optimization settings for logic signals

Check ID: mathworks.hism.hisl_0045

Check model configuration for optimization settings that can impact safety.

Description

This check verifies that model optimization configuration parameters are set optimally for generating code for a safety-related application. Although highly optimized code is desirable for most real-time systems, some optimizations can have undesirable side effects that impact safety.

Available with Simulink Check.

Results and Recommended Actions

Condition	Recommended Action
Implementation of logic signals as Boolean data is cleared. Strong data typing is recommended for safety-related code.	Select Configuration Parameter Implement logic signals as boolean data (vs. double) or set the parameter BooleanDataType to on.

Action Results

Clicking **Modify Settings** configures model optimization settings that can impact safety.

Subchecks depend on the results of the subchecks noted with **D** in the results table in the Model Advisor window.

Capabilities and Limitations

- Does not run on library models.
- Does not allow exclusions of blocks or charts.

See Also

- hisl_0045: Configuration Parameters > Math and Data Types > Implement logic signals as Boolean data (vs. double)
- “Optimize Generated Code Using Minimum and Maximum Values” (Embedded Coder)

Check safety-related block reduction optimization settings

Check ID: mathworks.hism.hisl_0046

Check model configuration for optimization settings that can impact safety.

Description

This check verifies that model optimization configuration parameters are set optimally for generating code for a safety-related application. Although highly optimized code is desirable for most real-time systems, some optimizations can have undesirable side effects that impact safety.

Available with Simulink Check.

Results and Recommended Actions

Condition	Recommended Action
Block reduction optimization is selected. This optimization can remove blocks from generated code, resulting in requirements without associated code and violations for traceability requirements.	Clear Configuration Parameter Block reduction or set parameter BlockReduction to off.

Action Results

Clicking **Modify Settings** configures model optimization settings that can impact safety.

Subchecks depend on the results of the subchecks noted with **D** in the results table in the Model Advisor window.

Capabilities and Limitations

- Does not run on library models.
- Does not allow exclusions of blocks or charts.

See Also

- hisl_0046: Configuration Parameters > Simulation Target > Block reduction

Check safety-related code generation settings for code style

Check ID: mathworks.hism.hisl_0047

Check model configuration for code generation settings that can impact safety.

Description

This check verifies that model configuration parameters for code generation are set optimally for a safety-related application.

Available with Simulink Check.

Results and Recommended Actions

Condition	Recommended Action
The option that specifies the style for parenthesis usage is set to Minimum (Rely on C/C++ operators precedence) or to Nominal (Optimize for readability). For safety-related applications, explicitly specify precedence with parentheses.	Set parameter <code>ParenthesesLevel</code> to <code>Standards(Parentheses for Standards Compliance)</code> or <code>Maximum(Specify precedence with parentheses)</code> .
The option that specifies whether to preserve operand order is cleared. This option increases the traceability of the generated code.	Set parameter <code>PreserveExpressionOrder</code> to <code>on</code> .

Action Results

Clicking **Modify Settings** configures model code generation settings that can impact safety.

Subchecks depend on the results of the subchecks noted with **D** in the results table in the Model Advisor window.

Capabilities and Limitations

- Does not run on library models.
- Does not allow exclusions of blocks or charts.

See Also

- `hisl_0047`: Configuration Parameters > Code Generation > Code Style
- “Model Configuration Parameters: Comments” (Simulink Coder)
- “Model Configuration Parameters: Code Generation Identifiers” (Simulink Coder)
- “Model Configuration Parameters: Code Generation Interface” (Simulink Coder)
- “Model Configuration Parameters: Code Style” (Embedded Coder)

Check safety-related optimization settings for application lifespan

Check ID: `mathworks.hism.hisl_0048`

Check model configuration for optimization settings that can impact safety.

Description

This check verifies that model optimization configuration parameters are set optimally for generating code for a safety-related application. Although highly optimized code is desirable for most real-time systems, some optimizations can have undesirable side effects that impact safety.

Available with Simulink Check.

Results and Recommended Actions

Condition	Recommended Action
The model includes blocks that depend on elapsed or absolute time and is configured to minimize the amount of memory allocated for the timers. Such a configuration limits the number of days the application can execute before a timer overflow occurs. Many aerospace products are powered on continuously and timers should not assume a limited lifespan.	Set Configuration Parameter Application lifespan (days) or set the parameter LifeSpan to <code>inf</code> .

Action Results

Clicking **Modify Settings** configures model optimization settings that can impact safety.

Subchecks depend on the results of the subchecks noted with **D** in the results table in the Model Advisor window.

Capabilities and Limitations

- Does not run on library models.
- Does not allow exclusions of blocks or charts.

See Also

- hisl_0048: Configuration Parameters > Math and Data Types > Application lifespan (days)
- “Optimize Generated Code Using Minimum and Maximum Values” (Embedded Coder)

Check safety-related code generation identifier settings

Check ID: `mathworks.hism.hisl_0049`

Check model configuration for code generation settings that can impact safety.

Description

This check verifies that model configuration parameters for code generation are set optimally for a safety-related application.

Available with Simulink Check.

Results and Recommended Actions

Condition	Recommended Action
The minimum number of characters specified for generating name mangling strings is less than four. You can use this option to minimize the likelihood that parameter and signal names will change during code generation when the model changes. Use of this option assists with minimizing code differences between file versions, decreasing the effort to perform code reviews.	Set Minimum mangle length (Embedded Coder) on the Code Generation > Identifier pane in the Configuration Parameters dialog box or the parameter <code>MangleLength</code> to a value of 4 or greater.

Action Results

Clicking **Modify Settings** configures model code generation settings that can impact safety.

Subchecks depend on the results of the subchecks noted with **D** in the results table in the Model Advisor window.

Capabilities and Limitations

- Does not run on library models.
- Does not allow exclusions of blocks or charts.

See Also

- hisl_0049: Configuration Parameters > Code Generation > Identifiers
- “Model Configuration Parameters: Comments” (Simulink Coder)
- “Model Configuration Parameters: Code Generation Identifiers” (Simulink Coder)
- “Model Configuration Parameters: Code Generation Interface” (Simulink Coder)
- “Model Configuration Parameters: Code Style” (Embedded Coder)

Check safety-related optimization settings for data initialization

Check ID: `mathworks.hism.hisl_0052`

Check model configuration for optimization settings that can impact safety.

Description

This check verifies that model optimization configuration parameters are set optimally for generating code for a safety-related application. Although highly optimized code is desirable for most real-time systems, some optimizations can have undesirable side effects that impact safety.

Available with Simulink Check.

Results and Recommended Actions

Condition	Recommended Action
The optimization that suppresses the generation of initialization code for root-level inports and outports that are set to zero is selected. For safety-related code, you should explicitly initialize all variables.	If you have an Embedded Coder license and are using an ERT-based system target file, clear Configuration Parameter Remove root level I/O zero initialization (Embedded Coder) or set the parameter <code>ZeroExternalMemoryAtStartup</code> to on. Alternatively, confirm that your compiler is standards-compliant, as most modern C compilers initialize global data to zero. Or, integrate external, handwritten code that initializes all I/O variables to zero explicitly.
The optimization that suppresses the generation of initialization code for internal work structures, such as block states and block outputs that are set to zero, is selected. For safety-related code, you should explicitly initialize every variable.	If you have an Embedded Coder license and are using an ERT-based system target file, clear Configuration Parameter Remove internal data zero initialization (Embedded Coder) or set the parameter <code>ZeroInternalMemoryAtStartup</code> to on. Alternatively, confirm that your compiler is standards-compliant, as most modern C compilers initialize global data to zero. Or, integrate external, handwritten code that initializes every state variable to zero explicitly.

Action Results

Clicking **Modify Settings** configures model optimization settings that can impact safety.

Subchecks depend on the results of the subchecks noted with **D** in the results table in the Model Advisor window.

Capabilities and Limitations

- Does not run on library models.
- Does not allow exclusions of blocks or charts.

See Also

- hisl_0052: Configuration Parameters > Optimization > Data initialization
- “Optimize Generated Code Using Minimum and Maximum Values” (Embedded Coder)

Check safety-related optimization settings for data type conversions

Check ID: `mathworks.hism.hisl_0053`

Check model configuration for optimization settings that can impact safety.

Description

This check verifies that model optimization configuration parameters are set optimally for generating code for a safety-related application. Although highly optimized code is desirable for most real-time systems, some optimizations can have undesirable side effects that impact safety.

Available with Simulink Check.

Results and Recommended Actions

Condition	Recommended Action
The optimization that suppresses generation of code resulting from floating-point to integer conversions that wrap out-of-range values is cleared. You must avoid overflows for safety-related code. When this optimization is off and your model includes blocks that disable the Saturate on overflow parameter, the code generator wraps out-of-range values for those blocks. This can result in unreachable and, therefore, untestable code.	If you have a Simulink Coder license, select Configuration Parameter Remove code from floating-point to integer conversions that wraps out-of-range values (Simulink Coder) or set the parameter <code>EfficientFloat2IntCast</code> to on.

Action Results

Clicking **Modify Settings** configures model optimization settings that can impact safety.

Subchecks depend on the results of the subchecks noted with **D** in the results table in the Model Advisor window.

Capabilities and Limitations

- Does not run on library models.
- Does not allow exclusions of blocks or charts.

See Also

- hisl_0053: Configuration Parameters > Optimization > Remove code from floating-point to integer conversions that wraps out-of-range values

Check safety-related optimization settings for division arithmetic exceptions

Check ID: `mathworks.hism.hisl_0054`

Check model configuration for optimization settings that can impact safety.

Description

This check verifies that model optimization configuration parameters are set optimally for generating code for a safety-related application. Although highly optimized code is desirable for most real-time systems, some optimizations can have undesirable side effects that impact safety.

Available with Simulink Check.

Results and Recommended Actions

Condition	Recommended Action
The optimization that suppresses generation of code that guards against division by zero for fixed-point data is selected. You must avoid division-by-zero exceptions in safety-related code.	If you have an Embedded Coder license and are using an ERT-based system target file, clear Configuration Parameter Remove code that protects against division arithmetic exceptions (Embedded Coder) or set the parameter NoFixptDivByZeroProtection to off.

Action Results

Clicking **Modify Settings** configures model optimization settings that can impact safety.

Subchecks depend on the results of the subchecks noted with **D** in the results table in the Model Advisor window.

Capabilities and Limitations

- Does not run on library models.
- Does not allow exclusions of blocks or charts.

See Also

- hisl_0054: Configuration Parameters > Optimization > Remove code that protects against division arithmetic exceptions
- “Optimize Generated Code Using Minimum and Maximum Values” (Embedded Coder)

Check safety-related optimization settings for specified minimum and maximum values

Check ID: mathworks.hism.hisl_0056

Check model configuration for optimization settings that can impact safety.

Description

This check verifies that model optimization configuration parameters are set optimally for generating code for a safety-related application. Although highly optimized code is desirable for most real-time systems, some optimizations can have undesirable side effects that impact safety.

Available with Simulink Check.

Results and Recommended Actions

Condition	Recommended Action
The optimization that uses the specified minimum and maximum values for signals and parameters to optimize the generated code is selected. This might result in requirements without traceable code. (See DO-331 Section MB.6.3.4.e - Source code is traceable to low-level requirements.)	If you have an Embedded Coder license and are using an ERT-based system target file, clear Configuration Parameter Optimize using the specified minimum and maximum values (Embedded Coder), or parameter UseSpecifiedMinMax to off.

Action Results

Clicking **Modify Settings** configures model optimization settings that can impact safety.

Subchecks depend on the results of the subchecks noted with **D** in the results table in the Model Advisor window.

Capabilities and Limitations

- Does not run on library models.
- Does not allow exclusions of blocks or charts.

See Also

- “Optimize Generated Code Using Minimum and Maximum Values” (Embedded Coder)
- Radio Technical Commission for Aeronautics (RTCA) for information on the DO-178C Software Considerations in Airborne Systems and Equipment Certification and related standards
- hisl_0056: Configuration Parameters > Optimization > Optimize using the specified minimum and maximum values

Check Stateflow charts for uniquely defined data objects

Check ID: `mathworks.hism.hisl_0061`

Identify Stateflow charts that include data objects that are not uniquely defined.

Description

This check searches your model for local data in Stateflow charts that is not uniquely defined.

Available with Simulink Check.

This check requires a Stateflow license.

Results and Recommended Actions

Condition	Recommended Action
The Stateflow chart contains a data object identifier defined in two or more scopes.	For the identified chart, do one of the following: <ul style="list-style-type: none"> • Create a unique data object identifier within each of the scopes. • Create a unique data object identifier within the chart, at the parent level.

Capabilities and Limitations

- This check does not look for usage of unique identifiers for Simulink signals.
- Runs on library models.
- Does not analyze content of library linked blocks.
- Analyzes content in all masked subsystems.
- Does not allow exclusions of blocks or charts.

See Also

- hisl_0061: Unique identifiers for clarity

Check global variables in graphical functions

Check ID: mathworks.hism.hisl_0062

Description

This check Identifies the expressions that read and write to the same global data in a Stateflow.

This check requires Simulink Check and Stateflow licenses.

Results and Recommended Actions

Condition	Recommended Action
One or more expressions operate on graphical functions and global variables used within graphical functions.	Remodel the expressions so that the functions and the global variables are not used in the same expression.

Capabilities and Limitations

- Runs on library models.
- Analyzes content in masked subsystems. By default, the input parameter **Look under masks** is set to `all`.
- Analyzes content of library-linked blocks. By default, the input parameter **Follow links** is set to `on`.
- Allows exclusions of blocks and charts.

See Also

- hisl_0062: Global variables in graphical functions

Check for length of user-defined object names

Check ID: mathworks.hism.hisl_0063

Description

This check inspects the length of the names of these user-defined objects against the Maximum Identifier length parameter in configuration settings:

- Subsystems with function name options set to User-specified.
- Data objects described in the guideline.
- Signal and parameter objects.

Available with Simulink Check.

Results and Recommended Actions

Condition	Recommended Action
Length of the function name in a subsystem greater than the set threshold.	Change the function name in the Subsystem blocks to have a length less than the set threshold.
Data object names have a length greater than threshold.	Change the function name in the Subsystem blocks to have a length less than the set threshold.

Capabilities and Limitations

- This check does not flag the signals that do not resolve to objects.
- Analyzes content in masked subsystems. By default, the input parameter **Look under masks** is set to `all`.
- Analyzes content of library-linked blocks. By default, the input parameter **Follow links** is set to `on`.

See Also

- `hisl_0063`: Length of user-defined object names to improve MISRA C:2012 compliance

Check usage of Gain blocks

Check ID: `mathworks.hism.hisl_0066`

Description

This check identifies the Gain blocks with value that resolves to 1, an identity matrix, or a matrix of ones.

Available with Simulink Check.

Results and Recommended Actions

Condition	Recommended Action
One or more Gain blocks in the model resolve to 1 or an identity matrix.	Remodel the Gain blocks so that the gain value does not resolve to 1, an identity matrix, or a matrix of ones.

Capabilities and Limitations

- Analyzes content in masked subsystems. By default, the input parameter **Look under masks** is set to `all`.
- Analyzes content of library-linked blocks. By default, the input parameter **Follow links** is set to `on`.
- Allows exclusions of blocks and charts.

See Also

- `hisl_0066`: Usage of Gain blocks

Check for divide-by-zero calculations

Check ID: mathworks.hism.hisl_0067

Description

Identifies the blocks that can result in divide-by-zero calculations.

Available with Simulink Check.

This check requires Simulink Design Verifier license.

Results and Recommended Actions

Condition	Recommended Action
One or more blocks in the model can result in divide-by-zero calculations.	Remodel to avoid divide-by-zero calculations.

Capabilities and Limitations

- Runs on library models.
- Analyzes content in masked subsystems. By default, the input parameter **Look under masks** is set to `all`.
- Analyzes content of library-linked blocks. By default, the input parameter **Follow links** is set to `on`.
- Allows exclusions of blocks and charts.

See Also

- `hisl_0067`: Protect against divide-by-zero calculations

Check for model elements that do not link to requirements

Check ID: mathworks.hism.hisl_0070

Check whether Simulink model elements link to a requirements document.

Description

This check verifies whether model objects link to a document containing engineering requirements for traceability.

Available with Simulink Check.

This check requires a Requirements Toolbox license.

Check Parameterization

The following configuration can be set through Model Advisor Configuration Editor.

- The maximum number of requirement links per elements allowed can be set through the input parameter **Maximum number of requirement links per model elements**. By default, the value is set to `5`.

- Maximum number of child objects per linked component in Simulink allowed can be set through the input parameter **Maximum number of child objects per linked component in Simulink/System Composer**. By default, the value is set to **100**.
- Maximum number of child objects per linked component in Stateflow allowed can be set through the input parameter **Maximum number of child objects per linked component in Stateflow**. By default, the value is set to **100**.
- Maximum number of lines of code per linked MATLAB function allowed can be set through the input parameter **Maximum number of lines of code per linked MATLAB function**. By default, the value is set to **200**.
- The model elements that can be exempted from requirement links can be set through the input parameter **List of model elements exempt from requirement links**. By default, the following list of blocks are included in the parameter. You can also add or remove the blocks as per your requirement.
 - Ground
 - Terminator
 - Inport
 - Outport
 - InportShadow
 - Goto
 - From
 - Mux
 - Demux
 - CMBlock
 - DocBlock
 - System Requirements

Results and Recommended Actions

Condition	Recommended Action
Model elements do not link to a requirements document.	For each model element in the model, in the Model Editor, right-click the model element, select Requirements and specify a requirement.
Model elements have link requirements that exceed the set threshold.	make sure that model elements do not exceed the set threshold for maximum links to requirements.
Components in the model with links to requirements exceed the threshold for number of children.	Make sure that components with links to requirements do not exceed the threshold for number of children.

Capabilities and Limitations

- Runs on library models.
- Analyzes the content of library linked blocks. By default, the input parameter **Follow links** is set to **off**.
- Analyzes content in masked subsystems that have no workspaces and no dialogs. By default, the input parameter **Look under masks** is set to **graphical**.

- Allows exclusions of blocks and charts.
- Does not allow the exclusion of Stateflow elements.
- This check verifies the requirements that are added to the MATLAB function headers or to the entire MATLAB function body only.
- The check report provides a link in the recommended actions tab for opening the Traceability Matrix.

Tip

Run this check from the top model or subsystem that you want to check.

See Also

- hisl_0070: Placement of requirement links in a model
- “Requirements Traceability” (Requirements Toolbox)
- Simulink Editor
- DO-331, Section MB.6.3.1.f - High-level requirements trace to system requirements
- DO-331, Section MB.6.3.2.f - Low-level requirements trace to high-level requirements
- IEC 61508-3, Table A.2 (12) - Computer-aided specification and design tools, Table A.2 (9) - Forward traceability between the software safety requirements specification and software architecture, Table A.2 (10) - Backward traceability between the software safety requirements specification and software architecture, Table A.4 (8) - Forward traceability between the software safety requirements specification and software design, Table A.8 (1) - Impact analysis
- IEC 62304, 5.2 - Software requirements analysis, 7.4.2 - Analyze impact of software changes on existing risk control measures
- ISO 26262-6, Table 8 (1a) - Documentation of the software unit design in natural language, ISO 26262-6: 7.4.2.a - The verifiability of the software architectural design, ISO 26262-8: 8.4.3 Change request analysis
- EN 50128, Table A.3 (23) - Modeling supported by computer aided design and specification tools, Table D.58 - Traceability, Table A.10 (1) - Impact Analysis

Check safety-related settings for hardware implementation

Check ID: mathworks.hism.hisl_0071

Description

Identifies the inconsistencies or underspecifications of hardware attributes that can lead to non-optimal results.

Available with Simulink Check.

Results and Recommended Actions

Condition	Recommended Action
One or more parameters are not specified on the system.	Specify the parameters to ensure correct and efficient code generation for the target hardware.

Condition	Recommended Action
One or more target specifications do not match.	Enable the parameter Test hardware is the same as production hardware or modify the target specifications to match.

Capabilities and Limitations

- Runs on library models.
- Allows exclusions of blocks and charts.

See Also

- hisl_0071: Configuration Parameters > Hardware Implementation > Inconsistent hardware implementation settings

Check data type of loop control variables

Check ID: mathworks.hism.hisl_0102

Description

This check identifies loop control variables using non-integer data types on the following:

- For iterator blocks.
- For loops in MATLAB function blocks.

Available with Simulink Check.

Results and Recommended Actions

Condition	Recommended Action
One or more For Iterator blocks are using non-integer data type for loop control counter variable.	Set the data type of loop control counter variable to an integer data type.
One or more For loops are using non-integer data type for loop control counter variable in MATLAB Function blocks.	Set the data type of loop control counter variable to an integer data type.

Capabilities and Limitations

- This check does not look at loop control variables inside Stateflow charts.
- Does not run on library models.
- Analyzes content of library-linked blocks. By default, the input parameter **Follow links** is set to on.
- Analyzes content in masked subsystems. By default, the input parameter **Look under masks** is set to all.
- Allows exclusions of blocks and charts.

See Also

- hisl_0102: Data type of loop control variables to improve MISRA C:2012 compliance

Check safety-related diagnostic settings for compatibility

Check ID: mathworks.hism.hisl_0301

Check model configuration for diagnostic settings that affect compatibility and that might impact safety.

Description

This check verifies that model diagnostic configuration parameters pertaining to compatibility are set optimally for generating code for a safety-related application.

Available with Simulink Check.

Results and Recommended Actions

Condition	Recommended Action
The diagnostic that detects when a block has not been upgraded to use features of the current release is set to none or warning. An S-function written for an earlier version might not be compatible with the current version and generated code could operate incorrectly.	Set S-function upgrades needed on the Diagnostics > Compatibility pane in the Configuration Parameters dialog box or set the parameter <code>SFcnCompatibilityMsg</code> to error.

Action Results

Clicking **Modify Settings** configures model diagnostic settings that affect compatibility and that might impact safety.

Capabilities and Limitations

- Does not run on library models.
- Does not allow exclusions of blocks or charts.

See Also

- hisl_0301: Configuration Parameters > Diagnostics > Compatibility

Check safety-related diagnostic settings for parameters

Check ID: mathworks.hism.hisl_0302

Check model configuration for diagnostic settings that apply to parameters and that can impact safety.

Description

This check verifies that model diagnostic configuration parameters pertaining to parameters are set optimally for generating code for a safety-related application.

Available with Simulink Check.

Results and Recommended Actions

Condition	Recommended Action
The diagnostic that detects when a parameter downcast occurs is set to <code>none</code> or <code>warning</code> . A downcast to a lower signal range can result in numeric overflows of parameters, resulting in unexpected behavior.	Set Detect downcast on the Diagnostics > Data Validity pane in the Configuration Parameters dialog box or set the parameter <code>ParameterDowncastMsg</code> to <code>error</code> .
The diagnostic that detects when a parameter underflow occurs is set to <code>none</code> or <code>warning</code> . When the data type of a parameter does not have enough resolution, the parameter value is zero instead of the specified value. This can lead to incorrect operation of generated code.	Set Detect underflow on the Diagnostics > Data Validity pane in the Configuration Parameters dialog box or set the parameter <code>ParameterUnderflowMsg</code> to <code>error</code> .
The diagnostic that detects when a parameter overflow occurs is set to <code>none</code> or <code>warning</code> . Numeric overflows can result in unexpected application behavior and should be detected and fixed in safety-related applications.	Set Detect overflow on the Diagnostics > Data Validity pane in the Configuration Parameters dialog box or set the parameter <code>ParameterOverflowMsg</code> to <code>error</code> .
The diagnostic that detects when a parameter loses precision is set to <code>none</code> or <code>warning</code> . Not detecting such errors can result in a parameter being set to an incorrect value in the generated code.	Set Detect precision loss on the Diagnostics > Data Validity pane in the Configuration Parameters dialog box or set the parameter <code>ParameterPrecisionLossMsg</code> to <code>error</code> .
The diagnostic that detects when an expression with tunable variables is reduced to its numerical equivalent is set to <code>none</code> or <code>warning</code> . This can result in a tunable parameter unexpectedly not being tunable in generated code.	Set Detect loss of tunability on the Diagnostics > Data Validity pane in the Configuration Parameters dialog box or set the parameter <code>ParameterTunabilityLossMsg</code> to <code>error</code> .

Action Results

Clicking **Modify Settings** configures model diagnostic settings that apply to parameters and that can impact safety.

Capabilities and Limitations

- Does not run on library models.
- Does not allow exclusions of blocks or charts.

See Also

- `hisl_0302`: Configuration Parameters > Diagnostics > Data Validity > Parameters

Check safety-related diagnostic settings for Merge blocks

Check ID: `mathworks.hism.hisl_0303`

Check model configuration for diagnostic settings that apply to Merge blocks

Description

This check verifies that model configuration parameters are set optimally for Merge blocks for a safety-related application.

Available with Simulink Check.

Results and Recommended Actions

Condition	Recommended Action
The diagnostic that detects whether a model contains Merge blocks with more than one driving block executing at the same time step is set to none or warning.	In the Configuration Parameters dialog box, set “Detect multiple driving blocks executing at the same time step” or set the parameter MergeDetectMultiDrivingBlocksExec to error.

Action Results

Clicking **Modify Settings** configures model diagnostic settings that apply to solvers and that can impact safety.

Capabilities and Limitations

- Does not run on library models.
- Does not allow exclusions of blocks or charts.

See Also

- “hisl_0303: Configuration Parameters > Diagnostics > Data Validity > Merge blocks”

Check safety-related diagnostic settings for model initialization

Check ID: mathworks.hism.hisl_0304

In the model configuration, check diagnostic settings that affect model initialization and might impact safety.

Description

This check verifies that model diagnostic configuration parameters for initialization are optimally set to generate code for a safety-related application.

Available with Simulink Check.

Results and Recommended Actions

Condition	Recommended Action
In the Configuration Parameters dialog box, the “Underspecified initialization detection” diagnostic is set to Classic , ensuring compatibility with previous releases of Simulink. The “Check undefined subsystem initial output” diagnostic is cleared. This diagnostic specifies whether Simulink displays a warning if the model contains a conditionally executed subsystem, in which a block with a specified initial condition drives an Output block with an undefined initial condition. A conditionally executed subsystem could have an output that is not initialized. If undetected, this condition can produce behavior that is nondeterministic.	Do one of the following: <ul style="list-style-type: none"> In the Configuration Parameters dialog box, set Underspecified initialization detection to Simplified. In the Configuration Parameters dialog box, set Underspecified initialization detection to Classic and select Check undefined subsystem initial output. Set the parameter <code>CheckSSInitialOutputMsg</code> to on.
In the Configuration Parameters dialog box, the “Underspecified initialization detection” diagnostic is set to Classic , ensuring compatibility with previous releases of Simulink. This diagnostic detects potential initial output differences from earlier releases. A conditionally executed subsystem could have an output that is not initialized. If undetected, this condition can produce behavior that is nondeterministic.	Do one of the following: <ul style="list-style-type: none"> In the Configuration Parameters dialog box, set Underspecified initialization detection to Simplified. In the Configuration Parameters dialog box, set Underspecified initialization detection to Classic. Set the parameter <code>CheckExecutionContextPreStartOutputMsg</code> to on.

Action Results

To configure the diagnostic settings that affect model initialization and might impact safety, click **Modify Settings**.

Subchecks depend on the results of the subchecks noted with **D** in the results table in the Model Advisor window.

Capabilities and Limitations

- Does not run on library models.
- Does not allow exclusions of blocks or charts.

See Also

- “`hisl_0304`: Configuration Parameters > Diagnostics > Data Validity > Model initialization”

Check safety-related diagnostic settings for data used for debugging

Check ID: `mathworks.hism.hisl_0305`

Check model configuration for diagnostic settings that apply to data used for debugging and that can impact safety.

Description

This check verifies that model diagnostic configuration parameters pertaining to debugging are set optimally for generating code for a safety-related application.

Available with Simulink Check.

Results and Recommended Actions

Condition	Recommended Action
The diagnostic that enables model verification blocks is set to Use local settings or Enable all. Such blocks should be disabled because they are assertion blocks, which are for verification only. Model developers should not use assertions in embedded code.	In the Configuration Parameters dialog box, set Model Verification block enabling or set parameter AssertControl to Disable All.

Action Results

Clicking **Modify Settings** configures model diagnostic settings that apply to data used for debugging and that can impact safety.

Capabilities and Limitations

- Does not run on library models.
- Does not allow exclusions of blocks or charts.

See Also

- “hisl_0305: Configuration Parameters > Diagnostics > Data Validity > Debugging”

Check safety-related diagnostic settings for signal connectivity

Check ID: mathworks.hism.hisl_0306

Check model configuration for diagnostic settings that apply to signal connectivity and that can impact safety.

Description

This check verifies that model diagnostic configuration parameters pertaining to signal connectivity are set optimally for generating code for a safety-related application.

Available with Simulink Check.

Results and Recommended Actions

Condition	Recommended Action
The diagnostic that detects virtual signals that have a common source signal but different labels is set to none or warning . This diagnostic pertains to virtual signals only and has no effect on generated code. However, signal label mismatches can lead to confusion during model reviews.	Set Signal label mismatch on the Diagnostics > Connectivity pane in the Configuration Parameters dialog box or set the parameter <code>SignalLabelMismatchMsg</code> to error.
The diagnostic that detects when the model contains a block with an unconnected input signal is set to none or warning . This must be detected because code is not generated for unconnected block inputs.	Set Unconnected block input ports on the Diagnostics > Connectivity pane in the Configuration Parameters dialog box or set the parameter <code>UnconnectedInputMsg</code> to error.
The diagnostic that detects when the model contains a block with an unconnected output signal is set to none or warning . This must be detected because dead code can result from unconnected block output signals.	Set Unconnected block output ports on the Diagnostics > Connectivity pane in the Configuration Parameters dialog box or set the parameter <code>UnconnectedOutputMsg</code> to error.
The diagnostic that detects unconnected signal lines and unmatched Goto or From blocks is set to none or warning . This error must be detected because code is not generated for unconnected lines.	Set Unconnected line on the Diagnostics > Connectivity pane in the Configuration Parameters dialog box or set the parameter <code>UnconnectedLineMsg</code> to error.

Action Results

Clicking **Modify Settings** configures model diagnostic settings that apply to signal connectivity and that can impact safety.

Capabilities and Limitations

- Does not run on library models.
- Does not allow exclusions of blocks or charts.

See Also

- `hisl_0306`: Configuration Parameters > Diagnostics > Connectivity > Signals

Check safety-related diagnostic settings for bus connectivity

Check ID: `mathworks.hism.hisl_0307`

Check model configuration for diagnostic settings that apply to bus connectivity and that can impact safety.

Description

This check verifies that model diagnostic configuration parameters pertaining to bus connectivity are set optimally for generating code for a safety-related application.

Available with Simulink Check.

Results and Recommended Actions

Condition	Recommended Action
The diagnostic that detects whether a Model block's root Output block is connected to a bus but does not specify a bus object is set to none or warning . For a bus signal to cross a model boundary, the signal must be defined as a bus object for compatibility with higher level models that use a model as a reference model.	Set Unspecified bus object at root Output block on the Diagnostics > Connectivity pane in the Configuration Parameters dialog box or set the parameter <code>RootOutputRequireBusObject</code> to error .
The diagnostic that detects whether the name of a bus element matches the name specified by the corresponding bus object is set to none or warning . This diagnostic prevents the use of incompatible buses in a bus-capable block such that the output names are inconsistent.	Set Element name mismatch on the Diagnostics > Connectivity pane in the Configuration Parameters dialog box or set the parameter <code>BusObjectLabelMismatch</code> to error .
The diagnostic that detects when some blocks treat a signal as a mux/vector, while other blocks treat the signal as a bus, is set to none or warning . When the Simulink software automatically converts a muxed signal to a bus, it is possible for an unintended operation or unpredictable behavior to occur.	Set Bus signal treated as vector on the Diagnostics > Connectivity pane in the Configuration Parameters dialog box to error , or the parameter <code>StrictBusMsg</code> to <code>ErrorOnBusTreatedAsVector</code> .
The diagnostic detects that the parameter Non-bus signals treated as bus signals is not set to error .	Set Non-bus signals treated as bus signals on the Diagnostics > Connectivity pane in the Configuration Parameters dialog box, or the parameter <code>NonBusSignalsTreatedAsBus</code> to error .

Action Results

Clicking **Modify Settings** configures model diagnostic settings that apply to bus connectivity and that can impact safety.

Capabilities and Limitations

- Does not run on library models.
- Does not allow exclusions of blocks or charts.

See Also

- `hisl_0307`: Configuration Parameters > Diagnostics > Connectivity > Buses

Check safety-related diagnostic settings that apply to function-call connectivity

Check ID: `mathworks.hism.hisl_0308`

Check model configuration for diagnostic settings that apply to function-call connectivity and that can impact safety.

Description

This check verifies that model diagnostic configuration parameters pertaining to function-call connectivity are set optimally for generating code for a safety-related application.

Available with Simulink Check.

Results and Recommended Actions

Condition	Recommended Action
The diagnostic that specifies whether the Simulink software has to compute inputs of a function-call subsystem directly or indirectly while executing the subsystem is set to <code>Use local settings</code> or <code>Disable all</code> . This diagnostic detects unpredictable data coupling between a function-call subsystem and the inputs of the subsystem in the generated code.	Set Context-dependent inputs on the Diagnostics > Connectivity pane in the Configuration Parameters dialog box or set the parameter <code>FcnCallInpInsideContextMsg</code> to <code>error</code> .

Action Results

Clicking **Modify Settings** configures model diagnostic settings that apply to function-call connectivity and that can impact safety.

Capabilities and Limitations

- Does not run on library models.
- Does not allow exclusions of blocks or charts.

See Also

- `hisl_0308`: Configuration Parameters > Diagnostics > Connectivity > Function calls

Check safety-related diagnostic settings for type conversions

Check ID: `mathworks.hism.hisl_0309`

Check model configuration for diagnostic settings that apply to type conversions and that can impact safety.

Description

This check verifies that model diagnostic configuration parameters pertaining to type conversions are set optimally for generating code for a safety-related application.

Available with Simulink Check.

Results and Recommended Actions

Condition	Recommended Action
The diagnostic that detects Data Type Conversion blocks when the type conversion is set to none . The Simulink software might remove unnecessary Data Type Conversion blocks from generated code, which might result in requirements without corresponding code. The removal of these blocks needs to be identified so model developers can explicitly remove the unnecessary blocks .	Set the Unnecessary type conversions Configuration Parameter or <code>UnnecessaryDatatypeConvMsg</code> parameter to warning.
The diagnostic that detects vector-to-matrix or matrix-to-vector conversions at block inputs is set to none or warning . When the Simulink software automatically converts between vector and matrix dimensions, unintended operations or unpredictable behavior can occur.	Set the Vector/matrix block input conversion Configuration Parameter or <code>VectorMatrixConversionMsg</code> parameter to error
The diagnostic that detects when a 32-bit integer value is converted to a floating-point value is set to none . This type of conversion can result in a loss of precision due to truncation of the least significant bits for large integer values.	Set the 32-bit integer to single precision float conversion Configuration Parameter or <code>Int32ToFloatConvMsg</code> parameter to warning.

Action Results

Clicking **Modify Settings** configures model diagnostic settings that apply to type conversions and that can impact safety.

Capabilities and Limitations

- Does not run on library models.
- Does not allow exclusions of blocks or charts.

See Also

- `hisl_0309`: Configuration Parameters > Diagnostics > Type Conversion

Check safety-related diagnostic settings for model referencing

Check ID: `mathworks.hism.hisl_0310`

Check model configuration for diagnostic settings that apply to model referencing and that can impact safety.

Description

This check verifies that model diagnostic configuration parameters pertaining to model referencing are set optimally for generating code for a safety-related application.

Available with Simulink Check.

Results and Recommended Actions

Condition	Recommended Action
The diagnostic that detects port and parameter mismatches during model loading and updating is set to none or warning . If undetected, such mismatches can lead to incorrect simulation results because the parent and referenced models have different interfaces.	Set Port and parameter mismatch on the Diagnostics > Model Referencing pane in the Configuration Parameters dialog box or set the parameter <code>ModelReferenceIOMismatchMessage</code> to error.
The diagnostic that detects invalid internal connections to the current model's root-level Inport and Outport blocks is set to none or warning . When this condition is detected, the Simulink software might automatically insert hidden blocks into the model to fix the condition. The hidden blocks can result in generated code without traceable requirements. Setting the diagnostic to error forces model developers to fix the referenced models manually.	Set Invalid root Inport/Outport block connection on the Diagnostics > Model Referencing pane in the Configuration Parameters dialog box or set the parameter <code>ModelReferenceIOMessage</code> to error.
The diagnostic that detects whether To Workspace or Scope blocks are logging data in a referenced model is set to none or warning . Data logging is not supported for To Workspace and Scope blocks in referenced models.	Set Unsupported data logging on the Diagnostics > Model Referencing pane in the Configuration Parameters dialog box or set the parameter <code>ModelReferenceDataLoggingMessage</code> to error. To log data, remove the blocks and log the referenced model signals. For more information, see "Logging Referenced Model Signals".

Action Results

Clicking **Modify Settings** configures model diagnostic settings that apply to model referencing and that can impact safety.

Capabilities and Limitations

- Does not run on library models.
- Does not allow exclusions of blocks or charts.

See Also

- hisl_0310: Configuration Parameters > Diagnostics > Model Referencing

Check safety-related diagnostic settings for Stateflow

Check ID: `mathworks.hism.hisl_0311`

Check safety-related diagnostic settings for Stateflow

Description

This check verifies that model configuration parameters are set optimally for Stateflow for a safety-related application.

Available with Simulink Check.

This check requires Stateflow license.

Results and Recommended Actions

Condition	Recommended Action
The diagnostic that detects whether a chart configuration leads to unwanted backtracking during simulation is set to none or warning.	In the Configuration Parameters dialog box, set “Unexpected backtracking” or set the parameter SFUnexpectedBacktrackingDiag to error.
The diagnostic that detects whether a chart configuration has blocks that connect to chart input ports do not initialize their outputs during initialization is set to none or warning.	In the Configuration Parameters dialog box, set “Invalid input data access in chart initialization” or set the parameter SFInvalidInputDataAccessInChartInitDiag to error.
The diagnostic that detects whether a chart has an unconditional default transition to a state or a junction is set to none or warning.	In the Configuration Parameters dialog box, set “No unconditional default transitions” or set the parameter SFNoUnconditionalDefaultTransitionDiag to error.
The diagnostic that detects whether a chart contains a transition that loops outside of the parent state or junction is set to none or warning.	In the Configuration Parameters dialog box, set “Transition outside natural parent” or set the parameter SFTransitionOutsideNaturalParentDiag to error.
The diagnostic that detects whether a chart is constructed on a valid execution path is set to none or warning.	In the Configuration Parameters dialog box, set “Unreachable execution path” or set the parameter SFUnreachableExecutionPathDiag to error.
The diagnostic detects that the parameter Undirected event broadcasts is not set to none or warning.	Set Undirected event broadcasts in the Configuration Parameters dialog box or set the parameter SFUndirectedBroadcastEventsDiag to error.
The diagnostic detects that the parameter Transition action specified before condition action is not set to none or warning.	Set Transition action specified before condition action in the Configuration Parameters dialog box or set the parameter SFTransitionActionBeforeConditionDiag to error.

Action Results

Clicking **Modify Settings** configures model diagnostic settings that apply to solvers and that can impact safety.

Capabilities and Limitations

- Does not run on library models.
- Does not allow exclusions of blocks or charts.

See Also

- hisl_0311: Configuration Parameters > Diagnostics > Stateflow

Check safety-related diagnostic settings for signal data

Check ID: mathworks.hism.hisl_0314

Check model configuration for diagnostic settings that apply to signal data and that can impact safety.

Description

This check verifies that model diagnostic configuration parameters pertaining to signal data are set optimally for generating code for a safety-related application.

Available with Simulink Check.

Results and Recommended Actions

Condition	Recommended Action
<p>The diagnostic that specifies how the Simulink software resolves signals associated with <code>Simulink.Signal</code> objects is set to <code>Explicit</code> and <code>implicit</code> or <code>Explicit</code> and <code>warn implicit</code>. For safety-related applications, model developers should be required to define signal resolution explicitly. (See DO-331, Section MB.6.3.3.b - Software architecture is consistent.)</p>	<p>Set Signal resolution on the Diagnostics > Data Validity pane in the Configuration Parameters dialog box or set the parameter <code>SignalResolutionControl</code> to <code>Explicit</code> only. This provides predictable operation by requiring users to define each signal and block setting that must resolve to <code>Simulink.Signal</code> objects in the workspace.</p> <p>Alternatively, to disable the use of <code>Simulink.Signal</code> objects, set the configuration parameter to <code>None</code>.</p>
<p>The Product block diagnostic that detects a singular matrix while inverting one of its inputs in matrix multiplication mode is set to <code>none</code> or <code>warning</code>. Division by a singular matrix can result in numeric exceptions when executing generated code. This is not acceptable in safety-related systems. (See DO-331, Section MB.6.3.1.g - Algorithms are accurate, DO-331, Section MB.6.3.2.g - Algorithms are accurate, and MISRA C:2012, Dir 4.1.)</p>	<p>Set Division by singular matrix on the Diagnostics > Data Validity pane in the Configuration Parameters dialog box or set the parameter <code>CheckMatrixSingularityMsg</code> to <code>error</code>.</p>
<p>The diagnostic that detects when the Simulink software cannot infer the data type of a signal during data type propagation is set to <code>none</code> or <code>warning</code>. For safety-related applications, model developers must verify the data types of signals. (See DO-331, Section MB.6.3.1.e - High-level requirements conform to standards, and DO-331, Section MB.6.3.2.e - Low-level requirements conform to standards.)</p>	<p>Set Underspecified data types on the Diagnostics > Data Validity pane in the Configuration Parameters dialog box or set the parameter <code>UnderSpecifiedDataTypeMsg</code> to <code>error</code>.</p>
<p>The diagnostic that detects whether the value of a signal is too large to be represented by the signal data type is set to <code>none</code> or <code>warning</code>. Undetected numeric overflows can result in unexpected application behavior. (See DO-331, Section MB.6.3.1.g - Algorithms are accurate, DO-331, Section MB.6.3.2.g - Algorithms are accurate, and MISRA C:2012, Dir 4.1.)</p>	<p>Set Wrap on overflow on the Diagnostics > Data Validity pane in the Configuration Parameters dialog box or set the parameter <code>IntegerOverflowMsg</code> to <code>error</code>.</p>

Condition	Recommended Action
<p>The diagnostic that detects whether the value of a signal is too large to be represented by the signal data type, resulting in a saturation, is set to none or warning. Undetected numeric overflows can result in unexpected application behavior. (See DO-331, Section MB.6.3.1.g - Algorithms are accurate, DO-331, Section MB.6.3.2.g - Algorithms are accurate, and MISRA C:2012, Dir 4.1.)</p>	<p>Set Saturate on overflow on the Diagnostics > Data Validity pane in the Configuration Parameters dialog box or set the parameter <code>IntegerSaturationMsg</code> to <code>error</code>.</p>
<p>The diagnostic that detects when the value of a block output signal is Inf or NaN at the current time step is set to none or warning. When this type of block output signal condition occurs, numeric exceptions can result, and numeric exceptions are not acceptable in safety-related applications. (See DO-331, Section MB.6.3.1.g - Algorithms are accurate, DO-331, Section MB.6.3.2.g - Algorithms are accurate, and MISRA C:2012, Dir 4.1.)</p>	<p>Set Inf or NaN block output on the Diagnostics > Data Validity pane in the Configuration Parameters dialog box or set the parameter <code>SignalInfNanChecking</code> to <code>error</code>.</p>
<p>The diagnostic that detects Simulink object names that begin with rt is set to none or warning. This diagnostic prevents name clashes with generated signal names that have an rt prefix. (See DO-331, Section MB.6.3.1.e - High-level requirements conform to standards, and DO-331, Section MB.6.3.2.e - Low-level requirements conform to standards.)</p>	<p>Set "rt" prefix for identifiers on the Diagnostics > Data Validity pane in the Configuration Parameters dialog box or set the parameter <code>RTPrefix</code> to <code>error</code>.</p>
<p>The diagnostic that detects simulation range checking is set to none or warning. This diagnostic detects when signals exceed their specified ranges during simulation. Simulink compares the signal values that a block outputs with the specified range and the block data type. (See DO-331, Section MB.6.3.1.g - Algorithms are accurate, DO-331, Section MB.6.3.2.g - Algorithms are accurate, and MISRA C:2012, Dir 4.1.)</p>	<p>Set Simulation range checking on the Diagnostics > Data Validity pane in the Configuration Parameters dialog box or set the parameter <code>SignalRangeChecking</code> to <code>error</code>.</p>

Action Results

Clicking **Modify Settings** configures model diagnostic settings that apply to signal data and that can impact safety.

Capabilities and Limitations

- Does not run on library models.
- Does not allow exclusions of blocks or charts.

See Also

- hisl_0314: Configuration Parameters > Diagnostics > Data Validity > Signals
- “Model Configuration Parameters: Data Validity Diagnostics”

- “View Diagnostics”

Check MATLAB functions not supported for code generation

Check ID: mathworks.hism.himl_0012

Description

This check identifies the MATLAB functions that are not supported for code generation.

Available with Simulink Check.

Results and Recommended Actions

Condition	Recommended Action
MATLAB functions that are not supported for code generation are in the model.	Avoid using MATLAB functions that are not supported for code generation.

Capabilities and Limitations

- Does not run on library models.
- Analyzes content in masked subsystems. By default, the input parameter **Look under masks** is set to `all`.
- Analyzes content of library-linked blocks. By default, the input parameter **Follow links** is set to `on`.
- Allows exclusions of blocks and charts.

See Also

- “himl_0012: Usage of MATLAB functions for code generation”

Metrics for generated code complexity

Check ID: mathworks.hism.himl_0013

Description

Identifies the usage of built-in MATLAB Functions with high code complexity of generated code.

Available with Simulink Check.

Input Parameters

For this check, you can set the following customizations using Model Advisor Configuration Editor:

- Set the threshold to flag MATLAB functions with high code complexity of generated code by using the **Complexity threshold** parameter. By default, the value is set to **40**.
- Exclude analyzing the MATLAB functions using the parameter **Functions excluded from analysis**. You can add multiple functions to the field by using a **comma** separator.

Results and Recommended Actions

Condition	Recommended Action
Some built-in MATLAB Functions used in the model might cause high code complexity when generating code.	<ul style="list-style-type: none"> Functions with significant size and complexity must be reviewed to ensure if full potential of the function is required. Use simpler alternatives to reduce code complexity, or add the functions to exclusion list in Model Advisor Configuration Editor.

Capabilities and Limitations

- Does not run on library models.
- Analyzes content in masked subsystems. By default, the input parameter **Look under masks** is set to `all`.
- Analyzes content of library-linked blocks. By default, the input parameter **Follow links** is set to `on`.
- Allows exclusions of blocks and charts.

See Also

- "himl_0013: Limitation of built-in MATLAB Function complexity"

Check for parameter tunability ignored for referenced models

Check ID: `mathworks.hism.hisl_0072`

Description

This check identifies the models parameter tunability information specified using Model Parameter Configuration dialog box.

Available with Simulink Check.

Results and Recommended Actions

Condition	Recommended Action
Model contain parameter tunability information that Simulink ignores if the tunable parameters are defined using Model Parameter Configuration dialog box.	Use Simulink.Parameter object for defining the tunable parameters.

Capabilities and Limitations

- This check does not analyze models when the **Default parameter behavior** is set to `Tunable`.
- Runs on library models.
- Allows exclusions of blocks and charts.

See Also

- “hisl_0072: Usage of tunable parameters for referenced models”

Check usage of bit-shift operations

Check ID: mathworks.hism.hisl_0073

Description

Identifies blocks or expressions that perform bit-shift operations greater than the bit width of Input type that might result in violation of coding standards.

Available with Simulink Check.

Results and Recommended Actions

Condition	Recommended Action
One or more blocks or expressions in the model perform bit-shift operations greater than the bit width of Input type.	Remodel to avoid bit-shift operations greater than the bit width of Input type.

Capabilities and Limitations

- This check does not verify Expressions with signals as inputs. Such expressions must be verified manually.
- Runs on library models.
- Analyzes content in masked subsystems that have no workspaces and no dialogs. By default, the input parameter **Look under masks** is set to all.
- Analyzes the content of library linked blocks. By default, the input parameter **Follow links** is set to on.
- Allows exclusions of blocks and charts.

See Also

- “hisl_0073: Usage of bit-shift operations”

Check safety-related diagnostic settings for variants

Check ID: mathworks.hism.hisl_0074

Description

Identifies the diagnostic settings in the model configuration that apply to variants.

Available with Simulink Check.

Results and Recommended Actions

Condition	Recommended Action
The Configuration parameter Variant condition mismatch at signal source and destination in the model is not set to Error.	Set the Configuration parameters Variant condition mismatch at signal source and destination to Error.
The Configuration parameter Arithmetic operations in variant conditions in the model is not set to Error.	Set the Configuration parameters Arithmetic operations in variant conditions to Error.

Capabilities and Limitations

- Runs on library models.
- Allows exclusions of blocks and charts.

See Also

- “hisl_0074: Configuration Parameters > Diagnostics > Modeling issues related to variants”

Check usage of square root operations

Check ID: mathworks.hism.hisl_0003

Description

Identifies the square root operations with inputs that can be negative.

Available with Simulink Check. This check requires a Simulink Design Verifier (SLDV) license.

Note: This check will perform SLDV analysis on the model.

Results and Recommended Actions

Condition	Recommended Action
Square root operations in the model have inputs that can become negative during simulation.	Remodel to prevent the inputs of the square root operations from becoming negative.

Capabilities and Limitations

- Run on library models.
- Analyzes content of library linked blocks. By default, the input parameter **Follow links** is set to on.
- Analyzes content in masked subsystems. By default, the input parameter **Look under masks** is set to all.

See Also

- “hisl_0003: Usage of square root operations”

Check usage of Reciprocal Sqrt blocks

Check ID: mathworks.hism.hisl_0028

Description

Identifies Reciprocal Sqrt blocks with inputs that can become zero or negative.

Available with Simulink Check. This check requires a Simulink Design Verifier (SLDV) license.

Note: This check will perform SLDV analysis on the model.

Results and Recommended Actions

Condition	Recommended Action
One or more Reciprocal Sqrt blocks in the model have inputs that can become zero or negative during simulation.	Remodel to prevent the input of the Reciprocal Sqrt blocks from becoming zero or negative.

Capabilities and Limitations

- Runs on library models.
- Analyzes content of library linked blocks. By default, the input parameter **Follow links** is set to on.
- Analyzes content in masked subsystems. By default, the input parameter **Look under masks** is set to all.

See Also

- "hisl_0028: Usage of Reciprocal Square Root blocks"

Check for disabled and parameterized library links

Check ID: mathworks.hism.hisl_0075

Description

Identifies the disabled and parameterized library links in the model.

Available with Simulink Check.

Results and Recommended Actions

Condition	Recommended Action
One or more blocks in the model are parameterized library links.	Use one of the following options to resolve the issue by right-clicking on the violated block and selecting an appropriate option from the Library Link menu: <ul style="list-style-type: none"> • Click Push Link to propagate the changes to the library. . • Click Disable Link to discard the changes.

Condition	Recommended Action
One or more blocks in the model are disabled library links.	Resolve the link using these steps: <ol style="list-style-type: none"> 1 Right-click the violated block in the Simulink diagram. 2 From the Library Link menu, select Restore Link.

Capabilities and Limitations

- Runs on library models.
- Analyzes content in masked subsystems. By default, the input parameter **Look under masks** is set to `all`.
- Analyzes content of library-linked blocks. By default, the input parameter **Follow links** is set to `on`.
- Allows exclusions of blocks and charts.

See Also

- “hisl_0075: Usage of library links”

Check for unreachable and dead code

Check ID: `mathworks.hism.hisl_0101`

Description

Identifies the blocks and operations that results in unreachable and dead code.

Available with Simulink Check.

Results and Recommended Actions

Condition	Recommended Action
One or more blocks/operations in the model results in unreachable or dead code.	Remodel to protect against unreachable and dead code.

Capabilities and Limitations

- Runs on library models.
- Analyzes content in masked subsystems. By default, the input parameter **Look under masks** is set to `all`.
- Analyzes content of library-linked blocks. By default, the input parameter **Follow links** is set to `on`.
- Allows exclusions of blocks and charts.

See Also

- “hisl_0101: Avoid operations that result in dead logic to improve code compliance”

Check type and size of condition expressions

Check ID: mathworks.hism.himl_0011

Description

This check evaluates the model to check that logical scalars are used for these condition expressions:

- `if` expressions
- `elseif` expressions
- `while` expressions
- Condition expressions of Stateflow transitions

Available with Simulink Check.

Results and Recommended Actions

Condition	Recommended Action
<code>if</code> expression is not a logical scalar.	Change expression to a logical scalar.
<code>elseif</code> expression is not a logical scalar.	Change expression to a logical scalar.
<code>while</code> expression is not a logical scalar.	Change expression to a logical scalar.
Condition expression of Stateflow transition expression is not a logical scalar.	Change expression to a logical scalar.

Action Results

The results table identifies each expression that contains an expression that is not a logical scalar. To review the issue, select the corresponding function link from the result table. The Model Advisor opens and highlights the corresponding function definition or, for Stateflow, opens the chart and highlights the state in which the issue occurs.

Manually change the condition expressions to logical scalars. Save the model and rerun the check.

Capabilities and Limitations

- The conditions of Stateflow transitions and state actions are not checked when using C as the Stateflow action language.
- This check does not run on library models.
- Analyzes content in masked subsystems.
- Analyzes content of library-linked blocks.
- Unreachable invariant conditions and code fragments might not be analyzed.

See Also

- “himl_0011: Data type and size of condition expressions”
- “Represent Operating Modes by Using States” (Stateflow)
- “Transition Between Operating Modes” (Stateflow)
- “Differences Between MATLAB and C as Action Language Syntax” (Stateflow)

Check configuration parameters for MISRA C:2012

Check ID: `mathworks.misra.CodeGenSettings`

Identify configuration parameters that can impact MISRA C:2012 compliant code generation.

Description

Following the recommendations of this check increases the likelihood of generating MISRA C:2012 compliant code for embedded applications.

Available with Embedded Coder and Simulink Check.

Results and Recommended Actions

Condition	Recommended Action
Math and Data Types	
Configuration parameter Use division for fixed-point net slope computation is not set to On or Use division for reciprocals of integers only.	Set Use division for fixed-point net slope computation to On or Use division for reciprocals of integers only.
Configuration parameter Inf or NaN block output is set to None or error and Support non-finite numbers is set to on. Configuration parameter Inf or NaN block output is set to None and Support non-finite numbers is set to off.	When Support non-finite numbers is: <ul style="list-style-type: none"> on, set Inf or NaN block output to warning off, set Inf or NaN block output to warning or error
Configuration parameter Model Verification block enabling is set to Use local settings or Enable All.	Set Model Verification block enabling to Disable All.
Configuration parameter Undirected event broadcasts is set to none or warning.	Set Undirected event broadcasts to error.
Configuration parameter Wrap on overflow is set to None	Set configuration parameter Wrap on overflow to warning or error.
Hardware Implementation	
Configuration parameter Production hardware signed integer division rounds to is set to Undefined	Set Production hardware signed integer division rounds to to Zero or Floor.
Configuration parameter Shift right on a signed integer as arithmetic shift is selected.	Clear Shift right on a signed integer as arithmetic shift .
Simulation Target	
Configuration parameter Compile-time recursion limit for MATLAB functions is set to a value other than 0.	Set Compile-time recursion limit for MATLAB functions to 0.
Configuration parameter Dynamic memory allocation in MATLAB functions is selected.	Clear Dynamic memory allocation in MATLAB functions .

Condition	Recommended Action
Configuration parameter Enable run-time recursion for MATLAB functions is selected.	Clear Enable run-time recursion for MATLAB functions .
Code Generation	
Configuration parameter Bitfield declarator type specifier is set to uchar_T when any of these parameters are selected: <ul style="list-style-type: none"> • Pack Boolean data into bitfields • Use bitsets for storing state configuration • Use bitsets for storing Boolean data 	Set Bitfield declarator type specifier to uint_T.
Configuration parameter Casting Modes is not set to Standards Compliant.	Set Casting Modes to Standards Compliant.
Configuration parameter Code replacement library is not set to None or AUTOSAR 4.0.	Set Code replacement library to None or AUTOSAR 4.0
Configuration parameter External mode is selected.	Clear External mode .
Configuration parameter Generate shared constants is selected.	Clear Generate shared constants .
Configuration parameter Include comments is cleared.	Select Include comments .
Configuration parameter MAT-file logging is selected.	Clear MAT-file logging
For ERT-based target systems, configuration parameter MATLAB user comments is cleared.	Select MATLAB user comments .
A value for configuration parameter Maximum identifier length is not provided.	Set the value to the implementation-dependent limit. The default is 31.
Configuration parameter Parentheses level is not set to Standards(Parentheses for Standards Compliance) or Maximum(Specify precedence with parentheses).	Set Parentheses level to Standards(Parentheses for Standards Compliance) or Maximum(Specify precedence with parentheses).
For ERT-based target systems, configuration parameter Preserve static keyword in function declarations is cleared when File packaging format is set to Compact or Compact (with separate data file)	Select Preserve static keyword in function declarations .
Configuration parameter Replace multiplications by powers of two with signed bitwise shifts is selected.	Clear Replace multiplications by powers of two with signed bitwise shifts .
Configuration parameter Shared code placement is set to Auto.	Set Shared code placement to Shared location
For ERT-based target systems, configuration parameter Support continuous time is selected	Clear Support continuous time .

Condition	Recommended Action
For ERT-based target systems, configuration parameter Support non-inlined S-functions is selected	Clear Support non-inlined S-functions .
Configuration parameter System-generated identifiers is set to Classic .	Set System-generated identifiers to Shortened .
Configuration parameter System target file is set to a GRT-based target.	Set System target file to an ERT-based target.
Configuration parameter Use dynamic memory allocation for model initialization is selected when Code Interface Packaging is set to Reusable Function .	Clear Use dynamic memory allocation for model initialization . Note Select only when Code Interface Packaging is set to Reusable Function .

Action Results

Clicking **Modify All** changes the parameter values to the recommended values.

Note When you click **Modify All** for models with a GRT-based target, the Model Advisor does not update the **System target file** configuration parameter to an ERT-based system.

Parameter subchecks depend on the results of the parameter noted with **D** in the results table. When the result is *D-Warning*, the **Current Value** column in the results table states *Prerequisite constraint not met* for the subchecks. After you change the parameter, rerun the check.

Note Some subchecks are specific to configuration parameters for ERT-based systems. These parameters are not updated when you click **Modify All** unless you change the model to an ERT-based system.

Capabilities and Limitations

This check does not review referenced models.

See Also

- hisl_0060: Configuration parameters that improve MISRA C:2012 compliance
- “MISRA C” (Embedded Coder)
- “MISRA C:2012 Compliance Considerations”

Check for blocks not recommended for MISRA C:2012

Check ID: `mathworks.misra.BlkSupport`

Identify blocks that are not supported or recommended for MISRA C:2012 compliant code generation.

Description

Following the recommendations of this check increases the likelihood of generating MISRA C:2012 compliant code for embedded applications.

Available with Embedded Coder and Simulink Check.

Results and Recommended Actions

Condition	Recommended Action
Lookup Table blocks using cubic spline interpolation or extrapolation methods were found in the model or subsystem. Specific blocks are: <ul style="list-style-type: none"> • 1-D Lookup Table • 2-D Lookup Table • n-D Lookup Table 	Consider other interpolation and extrapolation methods for the Lookup Table blocks.
Deprecated Lookup Table blocks were found in the model or subsystem. Specific blocks are: <ul style="list-style-type: none"> • Lookup Table • Lookup Table (2-D) 	Consider replacing the deprecated Lookup Table blocks.
S-Function Builder blocks were found in the model or subsystem.	Consider replacing the S-Function Builder blocks with blocks recommended for production.
From Workspace blocks were found in the model or subsystem	Consider replacing the From Workspace blocks with blocks recommended for production.
String blocks were found in the model or subsystem. Specific blocks are: <ul style="list-style-type: none"> • Compose String • Scan String • String to Single • String to Double • To String 	Consider replacing the String blocks with blocks recommended for production.

Capabilities and Limitations

You can:

- Run this check on your library models.
- Analyzes content of library linked blocks.
- Analyzes content in masked subsystems.
- Exclude blocks and charts from this check if you have a Simulink Check license.

Edit-Time Checking

This check is supported by edit-time checking.

See Also

- "hisl_0020: Blocks not recommended for MISRA C:2012 compliance"
- "MISRA C" (Embedded Coder)
- "MISRA C:2012 Compliance Considerations"
- "Model Advisor Exclusion Overview"

IEC 61508, IEC 62304, ISO 26262, ISO 25119, and EN 50128/EN 50657 Checks

In this section...

“IEC 61508, IEC 62304, ISO 26262, ISO 25119, and EN 50128/EN 50657 Checks” on page 2-101

“Display configuration management data” on page 2-101

“Display model metrics and complexity report” on page 2-102

“Check for unconnected objects” on page 2-103

IEC 61508, IEC 62304, ISO 26262, ISO 25119, and EN 50128/EN 50657 Checks

You can use these Model Advisor checks to facilitate designing and troubleshooting models, subsystems, and the corresponding generated code for applications to comply with IEC 61508-3, IEC 62304, ISO 26262-6, ISO 25119, or EN 50128, EN 50657, and MISRA C:2012 standards. They are certified by the IEC Certification Kit for use in development processes that must comply with IEC 61508, ISO 26262, EN 50128, EN 50657, ISO 25119, or derivative standards.

The Model Advisor performs a checkout of the Simulink Check license when you run the these checks.

Tips

If your model uses model referencing, run the IEC 61508, IEC 62304, ISO 26262, ISO 25119, or EN 50128/EN 50657 checks on all referenced models before running them on the top-level model.

Tips

If your model uses model referencing, run the IEC 61508, IEC 62304, ISO 26262 ISO 25119, or EN 50128/EN 50657 checks on all referenced models before running them on the top-level model.

See Also

- “Run Model Advisor Checks and Review Results”
- “Qualified Model Advisor Checks” (IEC Certification Kit)
- “Industry Standards” (Embedded Coder)

Display configuration management data

Check ID: `mathworks.iec61508.MdlVersionInfo`

Display model configuration and checksum information.

Description

This informer check displays the following information for the current model:

- Model version number
- Model author

- Date
- Model checksum

Available with Simulink Check.

Results and Recommended Actions

Condition	Recommended Action
Could not retrieve model version and checksum information.	This summary is provided for your information. No action is required.

Capabilities and Limitations

- Does not run on library models.
- Does not allow exclusions of blocks or charts.

See Also

- IEC 61508-3, Table A.8 (5) - Software configuration management
- IEC 62304-8 - Software configuration management process
- ISO 26262-8, Clause 7 - Configuration management
- EN 50128, Table A.9 (5) - Software Configuration Management
- “Manage Model Versions and Specify Model Properties”
- Model Change Log (Simulink Report Generator) in the Simulink Report Generator documentation
- `Simulink.BlockDiagram.getChecksum` in the Simulink documentation
- `Simulink.SubSystem.getChecksum` in the Simulink documentation

Display model metrics and complexity report

Check ID: `mathworks.iec61508.MdlMetricsInfo`

Display number of elements and name, level, and depth of subsystems for the model or subsystem.

Description

The IEC 61508, ISO 26262, EN 50128, and EN 50657 standards recommend the usage of size and complexity metrics to assess the software under development. This check provides metrics information for the model. The provided information can be used to inspect whether the size or complexity of the model or subsystem exceeds given limits. The check displays:

- A block count for each Simulink block type contained in the given model, including library linked blocks.
- A count of Stateflow constructs in the given model (if applicable).
- Name, level, and depth of the subsystems contained in the given model (if applicable).
- The maximum subsystem depth of the given model.

Available with Simulink Check.

This check requires a Stateflow license.

Results and Recommended Actions

Condition	Recommended Action
N/A	This summary is provided for your information. No action is required.

Capabilities and Limitations

- Runs on library models.
- Analyzes content of library linked blocks.
- Analyzes content in all masked subsystems.
- Does not allow exclusions of blocks or charts.

See Also

- IEC 61508-3, Table B.9 (1) - Software module size limit, Table B.9 (2) - Software complexity control
- IEC 62304, 5.5.3 - Software Unit acceptance criteria
- ISO 26262-6, Table 1 (1a) - Enforcement of low complexity, Table 3 (a) - Hierarchical structure of software components, Table 3 (b) - Restricted size of software components, and Table 3 (c) - Restricted size of interfaces
- EN 50128, Table A.12 (8) - Limited size and complexity of Functions, Subroutines and Methods and (9) Limited number of subroutine parameters
- EN 50657, Table A.12 (8) - Limited size and complexity of Functions, Subroutines and Methods and (9) Limited number of subroutine parameters
- `sldiagnostics` in the Simulink documentation
- “Cyclomatic Complexity for Stateflow Charts” (Simulink Coverage)

Check for unconnected objects

Check ID: `mathworks.iec61508.UnconnectedObjects`

Identify unconnected lines, input ports, and output ports in the model.

Description

Unconnected objects are likely to cause problems propagating signal attributes such as data, type, sample time, and dimensions.

Ports connected to Ground or Terminator blocks pass this check.

Available with Simulink Check.

Results and Recommended Actions

Condition	Recommended Action
There are unconnected lines, input ports, or output ports in the model or subsystem.	<ul style="list-style-type: none">• Double-click an element in the list of unconnected items to locate the item in the model diagram.• Connect the objects identified in the results.

Capabilities and Limitations

- Runs on library models.
- Does not analyze content of library linked blocks.
- Analyzes content in all masked subsystems.
- Allows exclusions of blocks and charts.

See Also

- IEC 61508-3, Table A.3 (3) - Language subset
- IEC 62304, 5.5.3 - Software Unit acceptance criteria
- ISO 26262-6, Table 1 (1b) - Use of language subsets, Table 1 (1d) - Use of defensive implementation techniques
- EN 50128, Table A.4 (11) - Language Subset
- EN 50657, Table A.4 (11) - Language Subset
- "Signal Basics"

Model Advisor Checks for MAB and JMAAB Compliance

Modeling Standards for MAB — Compliance Checks

You can use the Model Advisor to verify compliance of your model with the MathWorks Advisory Board (MAB) guidelines.

A Simulink Check license is required to execute these MAB checks. Where applicable, additional license requirements are identified in the check-specific documentation.

To access the checks in the Model Advisor, see “Accessing the MAB and JMAAB Model Advisor Checks”. To run the Model Advisor checks, see “Run Model Advisor Checks and Review Results”.

When executing the checks by using the **By Task** folder, MAB checks are classified into the following groups:

Naming Conventions

Checks that verify compliance of the model with MAB naming conventions guidelines.

For more information, see “Modeling Guidelines and Model Advisor Checks for MAB and JMAAB”.

Simulink

Checks that verify compliance of the model with MAB guidelines for Simulink configuration parameters, diagram appearance, signals, block consistency, conditional subsystem relations, operation blocks, and other miscellaneous blocks.

For more information, see “Modeling Guidelines and Model Advisor Checks for MAB and JMAAB”.

Stateflow

Checks that verify compliance of the model with MAB guidelines for Stateflow blocks/data/events, diagrams, conditional transition/Action, label descriptions, and other miscellaneous components.

For more information, see “Modeling Guidelines and Model Advisor Checks for MAB and JMAAB”.

MATLAB

Checks that verify compliance of the model with MAB guidelines for MATLAB Functions.

For more information, see “Modeling Guidelines and Model Advisor Checks for MAB and JMAAB”.

Modeling Standards for JMAAB — Compliance Checks

You can use the Model Advisor to verify compliance of your model with the Japan MATLAB Automotive Advisory Board (JMAAB) guidelines.

A Simulink Check license is required to execute these JMAAB checks. Where applicable, additional license requirements are identified in the check-specific documentation.

To access the checks in the Model Advisor, see “Accessing the MAB and JMAAB Model Advisor Checks”. To run the Model Advisor checks, see “Run Model Advisor Checks and Review Results”.

When executing the checks by using the **By Task** folder, JMAAB checks are classified into the following groups:

Naming Conventions

Checks related to the naming conventions.

For more information, see “Modeling Guidelines and Model Advisor Checks for MAB and JMAAB”.

Model Architecture

Checks that verify compliance of the model with JMAAB model architecture guidelines.

For more information, see “Modeling Guidelines and Model Advisor Checks for MAB and JMAAB”.

Model Configuration Options

Checks that verify compliance of the model with JMAAB configuration options guidelines.

For more information, see “Modeling Guidelines and Model Advisor Checks for MAB and JMAAB”.

Simulink

Checks that verify compliance of the model with JMAAB guidelines for Simulink blocks and components.

For more information, see “Modeling Guidelines and Model Advisor Checks for MAB and JMAAB”.

Stateflow

Checks that verify compliance of the model with JMAAB guidelines for Stateflow charts and components.

For more information, see “Modeling Guidelines and Model Advisor Checks for MAB and JMAAB”.

MATLAB Functions

Checks that verify compliance of the model with JMAAB guidelines for MATLAB Functions.

For more information, see “Modeling Guidelines and Model Advisor Checks for MAB and JMAAB”.

Check file names

Check ID: `mathworks.jmaab.ar_0001`

Description

Checks whether the file names meet the guideline standards.

Note

- This check only runs on the directory where the model is located. This behaviour does not change when the current directory is changed.
 - This check does not run on the nested sub-directories.
-

This check requires a Simulink Check license.

Check Parameterization

This check contains sub-checks that correspond to the sub-IDs that are specified in the MAB and JMAAB modeling guidelines. You can use the Model Advisor Configuration Editor to specify which sub IDs (one or multiple) to execute.

For reference, the MAB guideline sub ID(s) that are recommended for use by the NA-MAAB and JMAAB modeling standards organizations are:

- NA-MAAB — a, b, c, d, e, f
- JMAAB — a, b, c, d, e, f

Results and Recommended Actions

Guideline Sub ID	Condition	Recommended Action
ar_0001_a: Characters allowed for file names	One or more files have invalid names.	Use alphanumeric characters and underscores in file names.
ar_0001_b: Number at the beginning	One or more files have numbers at the beginning of the file name.	Use alphabetic characters at the beginning of the file names.
ar_0001_c: Underscore at the beginning	One or more files have underscores at the beginning of the file name.	Use alphabetic characters at the beginning of the file names.
ar_0001_d: Underscore at the end	One or more files have underscores at the end of the file name.	Do not end the file names with underscores.
ar_0001_e: Consecutive underscores	One or more files have consecutive underscores in the file name.	Do not use consecutive underscores in the file names.
ar_0001_f: Single Reserved MATLAB word	One or more files have reserved MATLAB words as the file name.	Do not use reserved MATLAB word as the file name.
ar_0001_g: Identical file names on path	One or more files have names which are identical to files present in MATLAB path.	Use unique file names.

Capabilities and Limitations

- This check can be configured to run on the hidden folders by selecting the input parameter **Check hidden folders** in the Model Advisor Configuration Editor.
- This check can be configured to check the file names with specific extensions from the input parameter **File Extension** in the Model Advisor Configuration Editor.
- The check does not flag conflicts with C++ keywords.
- Runs on library models.

See Also

- MAB guideline ar_0001: Usable characters for file names

- JMAAB guideline ar_0001

Check folder names

Check ID: mathworks.jmaab.ar_0002

Description

Checks folder names to meet the guideline standards.

This check requires a Simulink Check license.

Check Parameterization

This check contains sub-checks that correspond to the sub IDs that are specified in the MAB and JMAAB modeling guidelines. You can use the Model Advisor Configuration Editor to specify which sub IDs (one or multiple) to execute.

For reference, the MAB guideline sub ID(s) that are recommended for use by the NA-MAAB and JMAAB modeling standards organizations are:

- NA-MAAB — a, b, c, d, e, f
- JMAAB — a, b, c, d, e, f

Results and Recommended Actions

Guideline Sub ID	Condition	Recommended Action
ar_0002_a: Characters allowed for folder names	One or more folders have invalid names.	Use only alphanumeric characters and underscores in folder names.
ar_0002_b: Number at the beginning	One or more folders have numbers at the beginning of the folder name.	Use alphabetic characters at the beginning of the folder names.
ar_0002_c: Underscore at the beginning	One or more folders have underscores at the beginning of the folder name.	Use alphabetic characters at the beginning of the folder names.
ar_0002_d: Underscore at the end	One or more folders have underscores at the end of the folder name.	Do not end the folder names with underscores.
ar_0002_e: Consecutive underscores	One or more folders have consecutive underscores in the folder name.	Do not use consecutive underscores in the folder names.
ar_0002_f: Single Reserved MATLAB word	One or more folders have reserved MATLAB words as the folder name.	Do not use reserved MATLAB word as the folder name.

Capabilities and Limitations

- You can configure this check to allow folder names starting with "+" or "@" using the input parameter **Allow MATLAB package** in the Model Advisor Configuration Editor.

- You can configure this check to run on the hidden folders by selecting the input parameter **Check hidden folders** in the Model Advisor Configuration Editor.
- Runs on library models.
- This check also runs on the nested sub directories.

See Also

- MAB guideline ar_0002: Usable characters for folder names
- JMAAB guideline ar_0002

Check length of model file name

Check ID: mathworks.jmaab.jc_0241

Description

Checks if the length of the model file name adheres to the maximum length restriction of 63 characters.

This check requires a Simulink Check license.

Check Parameterization

This check does not include sub-checks because the MAB modeling guideline only provides one sub ID.

For reference, the MAB guideline sub ID(s) that are recommended for use by the NA-MAAB and JMAAB modeling standards organizations are:

- NA-MAAB — a
- JMAAB — a

You can configure the following input parameters to customize the check action:

Input Parameter	Value	JMAAB values (selected by default)
Minimum length	Minimum length for the folder path.	1
Maximum length	Maximum length for the folder path.	64

Results and Recommended Actions

Condition	Recommended Action
Model file name does not adhere to the length restriction of 63 characters.	Modify the model file name so that the length of the file name is not more than 63 characters.

See Also

- MAB guideline jc_0241: Length restriction for model file names
- JMAAB guideline jc_0241

Check length of folder name at every level of model path

Check ID: mathworks.jmaab.jc_0242

Description

Checks the length of the folder names at every level of the model path to see if all the folders in the path adhere to the maximum length restriction of 63 characters.

This check requires a Simulink Check license.

Check Parameterization

This check does not include sub-checks because the MAB modeling guideline only provides one sub ID.

For reference, the MAB guideline sub ID(s) that are recommended for use by the NA-MAAB and JMAAB modeling standards organizations are:

- NA-MAAB — a
- JMAAB — a

You can configure the following input parameters to customize the check action:

Input Parameter	Value	JMAAB values (selected by default)
Minimum length	Minimum length for the folder path.	1
Maximum length	Maximum length for the folder path.	64
Overall number of characters in path name	Total length (no of characters) for the folder path.	Disabled
Project Directory	Project path address.	Not configured

Results and Recommended Actions

Condition	Recommended Action
Length of the folder names at every level of the model path does not adhere to the length restriction of 63 characters.	Modify the folder names that do not meet the length restriction of 63 characters throughout the path.

See Also

- MAB guideline jc_0242: Length restriction for folder names
- JMAAB guideline jc_0242

Check Subsystem names

Check ID: mathworks.jmaab.jc_0201

Description

Identifies subsystem names with incorrect characters.

This check requires a Simulink Check license.

Check Parameterization

This check contains sub-checks that correspond to the sub IDs that are specified in the MAB and JMAAB modeling guidelines. You can use the Model Advisor Configuration Editor to specify which sub IDs (one or multiple) to execute.

For reference, the MAB guideline sub ID(s) that are recommended for use by the NA-MAAB and JMAAB modeling standards organizations are:

- NA-MAAB — a, b, c, d, e, f
- JMAAB — a, b, c, d, e, f

Results and Recommended Actions

Guideline Sub ID	Condition	Recommended Action
jc_0201_a: Characters allowed for subsystem names	One or more subsystems have invalid names.	Use only alphanumeric characters and underscores in subsystem names.
jc_0201_b: Number at the beginning	One or more subsystems have numbers at the beginning of the subsystem name.	Use alphabetic characters at the beginning of the subsystem names.
jc_0201_c: Underscore at the beginning	One or more subsystems have underscores at the beginning of the subsystem name.	Use alphabetic characters at the beginning of the subsystem names.
jc_0201_d: Underscore at the end	One or more subsystems have underscores at the end of the subsystem name.	Do not end the subsystem names with underscores.
jc_0201_e: Consecutive underscores	One or more subsystems have consecutive underscores in the subsystem name.	Do not use consecutive underscores in the subsystem names.
jc_0201_f: Single Reserved MATLAB word	One or more subsystems have reserved MATLAB words as the subsystem name.	Do not use reserved MATLAB word as the subsystem name.

Capabilities and Limitations

- This check is only applicable for Non-Virtual subsystems. If you want to run this check on Virtual Subsystems, select the input parameter **Check Virtual Subsystems** from the Model Advisor Configuration Editor.
- Runs on library models.
- Analyzes content of library-linked blocks. By default, the input parameter **Follow links** is set to on.
- Analyzes content in masked subsystems. By default, the input parameter **Look under masks** is set to graphical.

- Supports exclusions of blocks or charts.

Edit-Time Checking

This check is supported by edit-time checking.

See Also

- MAB guideline jc_0201: Usable characters for subsystem names
- JMAAB guideline jc_0201

Check character usage in block names

Check ID: mathworks.jmaab.jc_0231

Description

Identifies block names with incorrect characters.

Following are the special conditions the check verifies:

- If the block name is default block name and is hidden then the check will not report the block. This is because the block is a Simulink Library block.
- If the block name is default block name and is visible, then the check reports the block. This is because the block name now affects readability.
- If the block name is not default, and if it violates any conditions of the Sub-IDs, then the check reports even if it is visible or hidden.

This check requires a Simulink Check license.

Check Parameterization

This check contains sub-checks that correspond to the sub IDs that are specified in the MAB and JMAAB modeling guidelines. You can use the Model Advisor Configuration Editor to specify which sub IDs (one or multiple) to execute.

For reference, the MAB guideline sub ID(s) that are recommended for use by the NA-MAAB and JMAAB modeling standards organizations are:

- NA-MAAB — a, b, c, d, e, f
- JMAAB — a, b, c, d, e, f

Results and Recommended Actions

Guideline Sub ID	Condition	Recommended Action
jc_0231_a: Characters allowed for block names	One or more blocks in the model have invalid names.	Use only alphanumeric characters and underscores in block name.
jc_0231_b: Number at the beginning	One or more blocks in the model have numbers at the beginning of the block name.	Use alphabetic characters at the beginning of the block name.

Guideline Sub ID	Condition	Recommended Action
jc_0231_c: Underscore at the beginning	One or more blocks in the model have underscores at the beginning of the block name.	Use alphabetic characters at the beginning of the block name.
jc_0231_d: Underscore at the end	One or more blocks in the model have underscores at the end of the block name.	Do not end block names with underscores.
jc_0231_e: Consecutive underscores	One or more blocks in the model have consecutive underscores in the block name.	Do not use consecutive underscores in block name.
jc_0231_f: Single reserved MATLAB word	One or more blocks in the model use reserved MATLAB words as the block name.	Do not use reserved MATLAB word as block name.

Capabilities and Limitations

- Supports selection of Guideline Sub IDs.
- Runs on library models.
- Analyzes content in masked subsystems. By default, the input parameter **Look under masks** is set to `graphical`.
- Analyzes content of library-linked blocks. By default, the input parameter **Follow links** is set to `on`.
- Supports exclusions of blocks or charts.

Edit-Time Checking

This check is supported by edit-time checking.

See Also

- MAB guideline jc_0231: Usable characters for block names
- JMAAB guideline jc_0231

Check port block names

Check ID: `mathworks.jmaab.jc_0211`

Description

Identifies Inport or Outport block names with incorrect characters.

This check requires a Simulink Check license.

Check Parameterization

This check contains sub-checks that correspond to the sub IDs that are specified in the MAB and JMAAB modeling guidelines. You can use the Model Advisor Configuration Editor to specify which sub IDs (one or multiple) to execute.

For reference, the MAB guideline sub ID(s) that are recommended for use by the NA-MAAB and JMAAB modeling standards organizations are:

- NA-MAAB — a, b, c, d, e, f
- JMAAB — a, b, c, d, e, f

Results and Recommended Actions

Guideline Sub ID	Condition	Recommended Action
jc_0211_a: Characters allowed for port block names	One or more port blocks have invalid names.	Use only alphanumeric characters and underscores in port block names.
jc_0211_b: Number at the beginning	One or more port blocks have numbers at the beginning of the port block name.	Use alphabetic characters at the beginning of the port block names.
jc_0211_c: Underscore at the beginning	One or more port blocks have underscores at the beginning of the port block name.	Use alphabetic characters at the beginning of the port block names.
jc_0211_d: Underscore at the end	One or more port blocks have underscores at the end of the port block name.	Do not end the port block names with underscores.
jc_0211_e: Consecutive underscores	One or more port blocks have consecutive underscores in the port block name.	Do not use consecutive underscores in the port block names.
jc_0211_f: Single Reserved MATLAB word	One or more port blocks have reserved MATLAB words as the port block name.	Do not use reserved MATLAB word as the port block name.

Capabilities and Limitations

- Runs on library models.
- Analyzes content of library-linked blocks. By default, the input parameter **Follow links** is set to on.
- Analyzes content in masked subsystems. By default, the input parameter **Look under masks** is set to graphical.
- Supports exclusions of blocks or charts.

Edit-Time Checking

This check is supported by edit-time checking.

See Also

- MAB guideline jc_0211: Usable characters for Inport blocks and Outport block
- JMAAB guideline jc_0211

Check length of subsystem names

Check ID: mathworks.jmaab.jc_0243

Description

Checks if the length of the subsystem names in the model adheres to the maximum length restriction of 63 characters.

This check requires a Simulink Check license.

Check Parameterization

This check does not include sub-checks because the MAB modeling guideline only provides one sub ID.

For reference, the MAB guideline sub ID(s) that are recommended for use by the NA-MAAB and JMAAB modeling standards organizations are:

- NA-MAAB — a
- JMAAB — a

You can configure the following input parameters to customize the check action:

Input Parameter	Value	JMAAB values (selected by default)
Minimum length	Minimum length for the folder path.	1
Maximum length	Maximum length for the folder path.	64

Results and Recommended Actions

Condition	Recommended Action
Subsystem names in the model does not adhere to the length restriction of 63 characters.	Modify the subsystem block names so that the length of the subsystem name is not more than 63 characters.

Capabilities and Limitations

- Runs on library models.
- Analyzes content of library-linked blocks. By default, the input parameter **Follow links** is set to on.
- Analyzes content in masked subsystems. By default, the input parameter **Look under masks** is set to graphical.
- Allows exclusions of blocks and charts.

Edit-Time Checking

This check is supported by edit-time checking.

See Also

- MAB guideline jc_0243: Length restriction for subsystem names
- JMAAB guideline jc_0243

Check length of block names

Check ID: mathworks.jmaab.jc_0247

Description

Checks if the length of the block names in the model adheres to the maximum length restriction of 63 characters.

This check requires a Simulink Check license.

Check Parameterization

This check does not include sub-checks because the MAB modeling guideline only provides one sub ID.

For reference, the MAB guideline sub ID(s) that are recommended for use by the NA-MAAB and JMAAB modeling standards organizations are:

- NA-MAAB — a
- JMAAB — a

You can configure the following input parameters to customize the check action:

Input Parameter	Value	JMAAB values (selected by default)
Minimum length	Minimum length for the folder path.	1
Maximum length	Maximum length for the folder path.	64

Results and Recommended Actions

Condition	Recommended Action
Block names in the model does not adhere to the length restriction of 63 characters.	Modify the block names so that the length of the block names is not more than 63 characters.

Capabilities and Limitations

- Runs on library models.
- Analyzes content of library-linked blocks. By default, the input parameter **Follow links** is set to on.
- Analyzes content in masked subsystems. By default, the input parameter **Look under masks** is set to graphical.
- Allows exclusions of blocks and charts.

Edit-Time Checking

This check is supported by edit-time checking.

See Also

- MAB guideline jc_0247: Length restriction for block names
- JMAAB guideline jc_0247

Check length of Inport and Outport names

Check ID: mathworks.jmaab.jc_0244

Description

Checks if the length of the inport and outport names adheres to the maximum length restriction of 63 characters.

This check requires a Simulink Check license.

Check Parameterization

This check does not include sub-checks because the MAB modeling guideline only provides one sub ID.

For reference, the MAB guideline sub ID(s) that are recommended for use by the NA-MAAB and JMAAB modeling standards organizations are:

- NA-MAAB — a
- JMAAB — a

You can configure the following input parameters to customize the check action:

Input Parameter	Value	JMAAB values (selected by default)
Minimum length	Minimum length for the folder path.	1
Maximum length	Maximum length for the folder path.	64

Results and Recommended Actions

Condition	Recommended Action
Inport or outport block names in the Model does not adhere to the length restriction of 63 characters.	Modify the inport or the outport block names so that the length of the block name is not more than 63 characters.

Capabilities and Limitations

- Runs on library models.
- Analyzes content of library-linked blocks. By default, the input parameter **Follow links** is set to on.
- Analyzes content in masked subsystems. By default, the input parameter **Look under masks** is set to graphical.

- Allows exclusions of blocks and charts.

Edit-Time Checking

This check is supported by edit-time checking.

See Also

- MAB guideline jc_0244: Length restriction for Inport and Outport names
- JMAAB guideline jc_0244

Check usable characters for signal names and bus names

Check ID: `mathworks.jmaab.jc_0222`

Description

Checks the signal and bus names in the model.

This check requires a Simulink Check license.

Check Parameterization

This check contains sub-checks that correspond to the sub IDs that are specified in the MAB and JMAAB modeling guidelines. You can use the Model Advisor Configuration Editor to specify which sub IDs (one or multiple) to execute.

For reference, the MAB guideline sub ID(s) that are recommended for use by the NA-MAAB and JMAAB modeling standards organizations are:

- NA-MAAB — a, b, c, d, e, f
- JMAAB — a, b, c, d, e, f

Results and Recommended Actions

Guideline Sub ID	Condition	Recommended Action
jc_0222_a: Characters allowed for subsystem names	Signal or bus names in the model have invalid names.	Use only alphanumeric characters and underscores in signal names and bus names.
jc_0222_b: Number at the beginning	Signal or bus names in the model have numbers at the beginning of the name.	Use alphabetic characters at the beginning of the signal or bus names.
jc_0222_c: Underscore at the beginning	Signal or bus names in the model have underscores at the beginning of the name.	Use alphabetic characters at the beginning of the signal or bus names.
jc_0222_d: Underscore at the end	Signal or bus names in the model have underscores at the end of the signal or bus name.	Do not end the signal or bus names with underscores.
jc_0222_e: Consecutive underscores	Signal or bus names in the model have consecutive underscores in the name.	Do not use consecutive underscores in the signal or bus names.

Guideline Sub ID	Condition	Recommended Action
jc_0222_f: Single Reserved MATLAB word	Signal or bus names in the model have reserved MATLAB words as the name.	Do not use reserved MATLAB word as the signal or bus names.

Capabilities and Limitations

- Runs on library models.
- Allows exclusions of blocks and charts.
- Analyzes content in masked subsystems. By default, the input parameter **Look under masks** is set to `graphical`.
- Analyzes content of library-linked blocks. By default, the input parameter **Follow links** is set to `on`.

See Also

- MAB guideline jc_0222: Usable characters for signal and bus names
- JMAAB guideline jc_0222

Check usable characters for parameter names

Check ID: `mathworks.jmaab.jc_0232`

Description

Checks the parameter names in the model.

This check requires a Simulink Check license.

Check Parameterization

This check contains sub-checks that correspond to the sub IDs that are specified in the MAB and JMAAB modeling guidelines. You can use the Model Advisor Configuration Editor to specify which sub IDs (one or multiple) to execute.

For reference, the MAB guideline sub ID(s) that are recommended for use by the NA-MAAB and JMAAB modeling standards organizations are:

- NA-MAAB — a, b, c, d, e, f
- JMAAB — a, b, c, d, e, f

Results and Recommended Actions

Guideline Sub ID	Condition	Recommended Action
jc_0232_a: Characters allowed for parameter names	The parameter name contains illegal characters.	Use only alphanumeric characters and underscores in parameter names.
jc_0232_b: Number at the beginning	The parameter name starts with a number.	Use alphabetic characters at the beginning of the parameter names.

Guideline Sub ID	Condition	Recommended Action
jc_0232_c: Underscore at the beginning	The parameter name starts with an underscore ("_").	Use alphabetic characters at the beginning of the parameter names.
jc_0232_d: Underscore at the end	The parameter name ends with an underscore ("_").	Do not end parameter names with underscores.
jc_0232_e: Consecutive underscores	The parameter name has consecutive underscores.	Do not use consecutive underscores in the parameter names.
jc_0232_f: Single reserved MATLAB word	The parameter name is a reserved MATLAB words.	Do not use reserved MATLAB word as the parameter names.

Capabilities and Limitations

- Simulink Semantics limit the use of parameter names that use illegal characters, or start with a number, or start with a underscore, or start with a with reserved MATLAB words.
- Analyzes content of library-linked blocks. By default, the input parameter **Follow links** is set to on.
- Analyzes content in masked subsystems. By default, the input parameter **Look under masks** is set to graphical.
- Supports exclusions of blocks or charts.

See Also

- MAB guideline jc_0232: Usable characters for parameter names
- JMAAB guideline jc_0232

Check length of signal and bus names

Check ID: mathworks.jmaab.jc_0245

Description

Checks if the length of the signal or bus names adheres to the maximum length restriction of 63 characters.

This check requires a Simulink Check license.

Check Parameterization

This check does not include sub-checks because the MAB modeling guideline only provides one sub ID.

For reference, the MAB guideline sub ID(s) that are recommended for use by the NA-MAAB and JMAAB modeling standards organizations are:

- NA-MAAB — a
- JMAAB — a

You can configure the following input parameters to customize the check action:

Input Parameter	Value	JMAAB values (selected by default)
Minimum length	Minimum length for the folder path.	1
Maximum length	Maximum length for the folder path.	64

Results and Recommended Actions

Condition	Recommended Action
Signal or bus name in the model does not adhere to the length restriction of 63 characters.	Modify the signal or the bus names in the model so that the length of the names is not more than 63 characters.

Capabilities and Limitations

- Runs on library models.
- Analyzes content in masked subsystems. By default, the input parameter **Look under masks** is set to `graphical`.
- Analyzes content of library-linked blocks. By default, the input parameter **Follow links** is set to `on`.
- Allows exclusions of blocks and charts.

See Also

- MAB guideline `jc_0245`: Length restriction for signal and bus names
- JMAAB guideline `jc_0245`

Check length of parameter names

Check ID: `mathworks.jmaab.jc_0246`

Description

Checks if the length of the parameter names in the model adheres to the maximum length restriction of 63 characters.

This check requires a Simulink Check license.

Check Parameterization

This check does not include sub-checks because the MAB modeling guideline only provides one sub ID.

For reference, the MAB guideline sub ID(s) that are recommended for use by the NA-MAAB and JMAAB modeling standards organizations are:

- NA-MAAB — a
- JMAAB — a

You can configure the following parameters to customize the check action:

Input Parameter	Value	JMAAB values (selected by default)
Minimum length	Minimum length for the folder path.	1
Maximum length	Maximum length for the folder path.	64

Results and Recommended Actions

Condition	Recommended Action
Parameter names in the model does not adhere to the length restriction of 63 characters.	Modify the parameter names so that the length of the parameter names is not more than 63 characters.

Capabilities and Limitations

- Analyzes content of library-linked blocks. By default, the input parameter **Follow links** is set to on.
- Analyzes content in masked subsystems. By default, the input parameter **Look under masks** is set to graphical.
- Does not support exclusions of blocks or charts.

See Also

- MAB guideline jc_0246: Length restriction for parameter name
- JMAAB guideline jc_0246

Check usable characters for Stateflow data names

Check ID: mathworks.jmaab.jc_0795

Description

Checks if the Stateflow data names in the model are using acceptable characters.

This check requires a Simulink Check license.

Check Parameterization

This check contains sub-checks that correspond to the sub IDs that are specified in the MAB and JMAAB modeling guidelines. You can use the Model Advisor Configuration Editor to specify which sub IDs (one or multiple) to execute.

For reference, the MAB guideline sub-ID(s) that are recommended for use by the NA-MAAB and JMAAB modeling standards organizations are:

- NA-MAAB — a, b, c, d
- JMAAB — a, b, c, d

Results and Recommended Actions

Guideline Sub ID	Condition	Recommended Action
jc_0795_a: Underscore at the beginning	The Stateflow data name starts with an underscore ("_").	Rename the Stateflow data.
jc_0795_b: Underscore at the end	The Stateflow data name ends with an underscore ("_").	Rename the Stateflow data.
jc_0795_c: Consecutive underscores	The Stateflow data name has consecutive underscores.	Rename the Stateflow data.
jc_0795_d: Single reserved MATLAB word	The Stateflow data name is solely a reserved MATLAB word.	Consider using a different name for Stateflow data.

Capabilities and Limitations

- JMAAB guideline, Version 5.1 limitation: This check does not flag the Stateflow data names with underscore at the beginning of the name. (Sub ID: a)
- Runs on library models.
- Allows exclusions of charts.
- Analyzes content in masked subsystems. By default, the input parameter **Look under masks** is set to graphical.
- Analyzes content of library-linked blocks. By default, the input parameter **Follow links** is set to on.

See Also

- MAB guideline jc_0795: Usable characters for Stateflow data names
- JMAAB guideline jc_0795

Check length of Stateflow data name

Check ID: mathworks.jmaab.jc_0796

Description

Checks if the length of Stateflow data names are within the limit of 63 characters.

This check requires a Simulink Check license.

Check Parameterization

This check does not include sub-checks because the MAB modeling guideline only provides one sub ID.

For reference, the MAB guideline sub ID(s) that are recommended for use by the NA-MAAB and JMAAB modeling standards organizations are:

- NA-MAAB — a
- JMAAB — a

You can customize the maximum length threshold by using the input parameter **Maximum length** from the Model Advisor Configuration Editor.

- 1 Open the Model Configuration Editor and search for check ID `jc_0796`.
- 2 From the **Standards** drop-down, select **Custom**.
- 3 Enter the desired maximum length to set in the **Maximum length** field.
- 4 Click **Apply** and save the configuration.

Results and Recommended Actions

Condition	Recommended Action
Length of Stateflow data names are not within the limit of 63 characters.	Consider using a different name for each Stateflow data name.

Capabilities and Limitations

- Runs on library models.
- Analyzes content in masked subsystems. By default, the input parameter **Look under masks** is set to `graphical`.
- Allows exclusions of charts.
- Analyzes content of library linked blocks.

See Also

- MAB guideline `jc_0796`: Length restriction for Stateflow data names
- JMAAB guideline `jc_0796`

Check duplication of Simulink data names

Check ID: `mathworks.jmaab.jc_0791`

Description

Checks for a duplicate definition of data names. Simulink data names must be unique across the base workspace, model workspace, and data dictionary.

This check requires a Simulink Check license.

Check Parameterization

This check contains sub-checks that correspond to the sub IDs that are specified in the MAB and JMAAB modeling guidelines. You can use the Model Advisor Configuration Editor to specify which sub IDs (one or multiple) to execute.

For reference, the MAB guideline sub-ID(s) that are recommended for use by the NA-MAAB and JMAAB modeling standards organizations are:

- NA-MAAB — a, b, c
- JMAAB — a, b, c

Results and Recommended Actions

Guideline Sub ID	Condition	Recommended Action
jc_0791_a: Check for repeated data names across base workspace and model workspace	Simulink data names are not unique across base workspace and model workspace.	Rename the repeated data name either in the base workspace or the model workspace.
jc_0791_b: Check for repeated data names across base workspace and data dictionary	Simulink data names are not unique across base workspace and data dictionary.	Rename the repeated data name either in the base workspace or the data dictionary.
jc_0791_c: Check for repeated data names across model workspace and data dictionary	Simulink data names are not unique across model workspace and data dictionary.	Rename the repeated data name either in the model workspace or the data dictionary.

Capabilities and Limitations

- Runs on library models.
- Does not allow exclusions of blocks and charts.

See Also

- MAB guideline jc_0791: Duplicate data name definitions
- JMAAB guideline jc_0791

Check unused data in Simulink Model

Check ID: mathworks.jmaab.jc_0792

Description

Identifies unused data in the model workspace and data dictionary.

This check requires a Simulink Check license.

Check Parameterization

This check contains sub-checks that correspond to the sub IDs that are specified in the MAB and JMAAB modeling guidelines. You can use the Model Advisor Configuration Editor to specify which sub IDs (one or multiple) to execute.

For reference, the MAB guideline sub-ID(s) that are recommended for use by the NA-MAAB and JMAAB modeling standards organizations are:

- NA-MAAB — a, b
- JMAAB — a, b

Results and Recommended Actions

Guideline Sub ID	Condition	Recommended Action
jc_0792_a: Check for unused data in Data Dictionary	One or more data variables in the data dictionary are unused.	Consider removing the unused data variables.

Guideline Sub ID	Condition	Recommended Action
jc_0792_b: Check for unused data in Model Workspace	One or more data variables in the model workspace are unused.	Consider removing the unused data variables.

Capabilities and Limitations

- Does not run on library models.
- Allows exclusions of blocks or charts.

See Also

- MAB guideline jc_0792: Unused Data
- JMAAB guideline jc_0792

Check for unused data in Stateflow Charts

Check ID: mathworks.jmaab.jc_0700

Checks the state of the parameter **Unused data, events, messages and functions**.

Description

Identifies if the parameter **Unused data, events, messages and functions** is set to **None**. Unused data and events cannot exist in the Stateflow block.

This check requires a Simulink Check license.

Check Parameterization

This check does not include sub-checks because the MAB modeling guideline only provides one sub ID.

For reference, the MAB guideline sub ID(s) that are recommended for use by the NA-MAAB and JMAAB modeling standards organizations are:

- NA-MAAB — a
- JMAAB — a

Results and Recommended Actions

Condition	Recommended Action
In a Stateflow block, the parameter Unused data, events, messages and functions is set to None .	Make sure to set the parameter to either Warning or Error .

Capabilities and Limitations

- Runs on library models.

See Also

- MAB guideline jc_0700: Unused data in Stateflow block
- JMAAB guideline jc_0700

Check usage of restricted variable names

Check ID: `mathworks.maab.na_0019`

Check for use of reserved keywords in MATLAB Function block variable names.

Description

Identifies variable names in MATLAB Function blocks that conflict with reserved C and C++ keywords. For a complete list of reserved keywords, see “Reserved Keywords” (Simulink Coder).

Avoid using variable names that conflict with MATLAB Functions, such as `conv`.

This check is case insensitive. For example, the check flags keywords `true`, `True`, `TRUE`, and `tRue`.

This check requires a Simulink Check license.

Check Parameterization

This check does not include sub-checks because the MAB modeling guideline only provides one sub ID.

For reference, the MAB guideline sub ID(s) that are recommended for use by the NA-MAAB and JMAAB modeling standards organizations are:

- NA-MAAB — a
- JMAAB — a

You can use Model Advisor Configuration Editor to configure this check to include files with a `.m` extension in the analysis. To enable this feature, in the **Input Parameters** section, select **Check external .m files referenced in the model**.

Results and Recommended Actions

Condition	Recommended Action
Variable name conflicts with reserved keyword.	Consider using a different variable name that does not conflict with the reserved keywords.

Capabilities and Limitations

- Runs on library models.
- Analyzes content of library-linked blocks. By default, the input parameter **Follow links** is set to `on`.
- Analyzes content in masked subsystems. By default, the input parameter **Look under masks** is set to `graphical`.

See Also

- MAB guideline na_0019: Restricted variable names

Check Implement logic signals as Boolean data (vs. double)

Check ID: mathworks.maab.jc_0011

Check the optimization parameter for Boolean data types.

Description

Optimization for Boolean data types is required.

This check requires a Simulink Check license.

Note A prerequisite MAB guideline for this check is na_0002: Appropriate usage of basic logical and numerical operations.

Check Parameterization

This check does not include sub-checks because the MAB modeling guideline only provides one sub ID.

For reference, the MAB guideline sub ID(s) that are recommended for use by the NA-MAAB and JMAAB modeling standards organizations are:

- NA-MAAB — a
- JMAAB — a

Results and Recommended Actions

Condition	Recommended Action
Configuration setting for Implement logic signals as Boolean data (vs. double) is not set.	Select the Implement logic signals as Boolean data (vs. double) check box in the Configuration Parameters dialog box.

Capabilities and Limitations

- Does not run on library models.
- Does not allow exclusions of blocks or charts.

See Also

- MAB guideline jc_0011: Optimization parameters for Boolean data types
- JMAAB guideline jc_0011

Check Signed Integer Division Rounding mode

Check ID: mathworks.jmaab.jc_0642

Description

Identifies blocks whose parameter **Integer Rounding Mode** is set to **Simplest** when the configuration parameter **Signed Integer Division Rounds** is set to **Undefined**.

This check requires a Simulink Check license.

Check Parameterization

This check does not include sub-checks because the MAB modeling guideline only provides one sub ID.

For reference, the MAB guideline sub ID(s) that are recommended for use by the NA-MAAB and JMAAB modeling standards organizations are:

- NA-MAAB — a
- JMAAB — a

Results and Recommended Actions

Condition	Recommended Action
If the parameter Integer Rounding Mode of the listed blocks is set to Simplest when the parameter Signed Integer Division Rounds is set to Undefined .	Set the parameter Signed Integer Division Round to a value that describes the rounding behavior of your production target or changing the Integer Rounding Mode of the listed blocks to a value other than Simplest .

Capabilities and Limitations

- Analyzes content of library-linked blocks. By default, the input parameter **Follow links** is set to **on**.
- Analyzes content in masked subsystems. By default, the input parameter **Look under masks** is set to **graphical**.
- Allows exclusions of blocks and charts.

See Also

- MAB guideline jc_0642: Integer rounding mode setting
- JMAAB guideline jc_0642

Check diagnostic settings for incorrect calculation results

Check ID: mathworks.jmaab.jc_0806

Description

Identifies the status of the configuration parameters of the data validity diagnostic settings which detect incorrect calculation results.

This check requires a Simulink Check license.

Check Parameterization

This check does not include sub-checks because the MAB modeling guideline provides only one sub ID.

For reference, the MAB guideline Sub-ID(s) that NA-MAAB and JMAAB modeling standards organizations recommend are:

- NA-MAAB — a
- JMAAB — a

Results and Recommended Actions

Condition	Recommended Action
The model configuration parameter Division by singular matrix (CheckMatrixSingularityMsg) is not set to error .	Set the input parameter value to error .
The model configuration parameter Inf or NaN block output (SignalInfNanChecking) is not set to error .	Set the input parameter value to error .
The model configuration parameter Wrap on overflow (IntegerOverflowMsg) is not set to error .	Set the input parameter value to error .
The model configuration parameter Saturate on overflow (IntegerSaturationMsg) is not set to error .	Set the input parameter value to error .

See Also

- MAB guideline jc_0806: Detecting incorrect calculation results
- JMAAB guideline jc_0806

Check model diagnostic parameters

Check ID: mathworks.maab.jc_0021

Check the model diagnostic configuration parameter settings.

Description

Model Advisor checks that these diagnostics configuration parameters are set as defined in the Results and Recommended Actions section below:

- “Algebraic loop”
- “Minimize algebraic loop”
- “Multitask data transfer”
- “Inf or NaN block output”
- “Duplicate data store names”
- “Unconnected block input ports”

- “Unconnected block output ports”
- “Unconnected line”
- “Unspecified bus object at root Output block”
- “Element name mismatch”

This check requires a Simulink Check license.

Check Parameterization

This Model Advisor check is not applicable for JMAAB modeling guidelines.

This check does not include sub-checks.

For reference, the MAB guideline sub ID(s) that are recommended for use by the NA-MAAB and JMAAB modeling standards organizations are:

- NA-MAAB — a
- JMAAB — Not supported

Results and Recommended Actions

Condition	Recommended Action
Algebraic loop is set to none.	Set Algebraic loop to error or warning. Otherwise, Simulink might attempt to automatically break the algebraic loops, which can impact the execution order of the blocks.
Minimize algebraic loop is set to none.	Set Minimize algebraic loop to error or warning. Otherwise, Simulink might attempt to automatically break the algebraic loops for reference models and atomic subsystems, which can impact the execution order for those models or subsystems.
Inf or NaN block output is set to none	Set Inf or NaN block output to error or warning. Otherwise, numerical exceptions occur in the generated code
Duplicate data store names is set to none.	Set Duplicate data store names to error or warning. Otherwise, non-unique variable names exist in the generated code.
Unconnected block input ports is set to none.	Set Unconnected block input ports to error or warning. Otherwise, code cannot be generated.
Unconnected block output ports is set to none.	Set Unconnected block output ports to error or warning. Otherwise, dead code results.
Unconnected line is set to none.	Set Unconnected line to error or warning. Otherwise, code cannot be generated.
Unspecified bus object at root Output block is set to none.	Set Unspecified bus object at root Output block to error or warning. Otherwise, the result is an unspecified interface when the model is referenced from another model.

Condition	Recommended Action
Element name mismatch is set to none.	Set Element name mismatch to error or warning. Otherwise, the result is an unintended interface in the generated code.

Capabilities and Limitations

- Does not run on library models.
- Does not allow exclusions of blocks or charts.

See Also

- MAB guideline jc_0021: Model diagnostic settings

Check for Simulink diagrams using nonstandard display attributes

Check ID: mathworks.maab.na_0004

Check model appearance setting attributes.

Description

Model appearance settings are required to conform to the guidelines when the model is released.

This check requires a Simulink Check license.

Check Parameterization

This check does not include sub-checks because the MAB modeling guideline only provides one sub ID.

For reference, the MAB guideline sub ID(s) that are recommended for use by the NA-MAAB and JMAAB modeling standards organizations are:

- NA-MAAB — No recommendations
- JMAAB — a

Results and Recommended Actions

Condition	Recommended Action
The toolbar is not visible.	Select Modeling > Environment > Toolstrip .
The status bar is not visible.	Select Modeling > Environment > Status Bar .
Sample Time > Colors is selected.	Clear Debug > Information Overlays > Colors .
Wide Nonscalar Lines is cleared.	Select Debug > Information Overlays > Nonscalar Signals .
Viewer Indicators is cleared.	Select Debug > Information Overlays > Logging & Viewers .
Testpoint Indicators is cleared.	Select Debug > Information Overlays > Testpoint .

Condition	Recommended Action
Port Data Types is selected.	Clear <ul style="list-style-type: none"> • Debug > Information Overlays > Base Data Type and • Debug > Information Overlays > Alias Data Type
Storage Class is selected.	Clear Debug > Information Overlays > Storage Class Indicator .
Signal Dimensions is selected.	Clear Debug > Information Overlays > Signal Dimensions .
Signal Data Ranges is selected.	Clear Debug > Information Overlays > Signal Data Ranges .
Model Browser is selected.	Clear Modeling > Environment > Model Browser .
Sorted Execution Order is selected.	Clear Debug > Information Overlays > Execution Order .
Model Block Version is selected.	Clear Debug > Information Overlays > Ref. Model Version .
Model Block I/O Mismatch is selected.	Clear Debug > Information Overlays > Ref. Model I/O Mismatch .
Library Links is set Disabled, User Defined, or All.	Select Debug > Information Overlays > Show All Links .
Linearization Indicators is cleared.	Select Debug > Information Overlays > Linearization Indicators .
Block backgrounds are not white.	For each listed diagram, click the block and select Format > Background and select color from the drop-down list.
Block foregrounds are not black.	Select Format > Foreground and select color from the drop-down list.
Diagrams do not have white backgrounds.	Select Format > Background and select color from the drop-down list.
Diagrams do not have zoom factor set to 100%.	For each listed diagram, select Modeling > Environment > Zoom > Normal View (100%) .

Action Results

Clicking **Modify** updates the display attributes to conform to the guideline.

Capabilities and Limitations

- Does not run on library models.
- Analyzes content of library-linked blocks. By default, the input parameter **Follow links** is set to on.

- Analyzes content in masked subsystems that have no workspaces and no dialogs. By default, the input parameter **Look under masks** is set to `graphical`.
- Supports exclusions of blocks or charts.

See Also

- MAB guideline: `na_0004`: Simulink model appearance settings
- JMAAB guideline: `na_0004`

Check Model font settings

Check ID: `mathworks.jmaab.db_0043`

Description

Check for difference in font and font sizes.

For font, this check runs on the following Simulink and Stateflow elements:

Simulink elements:

- Block
- Signal
- Annotation

Stateflow Elements:

- State
- Box
- Simulink Functions
- Embedded MATLAB functions
- Annotations
- Truth Table
- Charts and Sub-charts
- Transitions

Available with Simulink Check.

Check Parameterization

This check contains sub-checks that correspond to the sub IDs that are specified in the MAB and JMAAB modeling guidelines. You can use the Model Advisor Configuration Editor to specify which sub IDs (one or multiple) to execute.

For reference, the MAB guideline sub ID(s) that are recommended for use by the NA-MAAB and JMAAB modeling standards organizations are:

- NA-MAAB — a, b, c, d
- JMAAB — a, b, c, d

To customize the text elements in your model, use the Model Advisor Configuration Editor.

- 1 Open the Model Configuration Editor and search for check ID db_0043.
- 2 Use the lists under **Input Parameters** to customize the font elements in your Simulink models and Stateflow charts. Note that when you select **Default**, the check flags different fonts/styles/size that are used in your model.
- 3 Click **Apply** and save the configuration.

Results and Recommended Actions

Guideline Sub ID	Condition	Recommended Action
db_0043_a: Check font and font style in Simulink block and signal names	Font settings of one or more Simulink blocks or signal names are different from input parameters.	Change font settings of block and signal names as per input parameters.
db_0043_b: Check font size in Simulink block and signal names	Font settings of one or more Simulink blocks or signal names are different from input parameters.	Change font size of block and signal names as per input parameters.
db_0043_c: Check font and font style in Stateflow objects	Font settings of one or more Stateflow objects are different from input parameters.	Change font settings of Stateflow objects as per input parameters.
db_0043_d: Check font size in Stateflow objects	Font settings of one or more Stateflow objects are different from input parameters.	Change font size of Stateflow objects as per input parameters.

Capabilities and Limitations

- Runs on library models.
- Does not analyze content of library linked blocks.
- Analyzes content in masked subsystems that have no workspaces and no dialogs.
- Allows exclusions of blocks and charts.

Action Results

Click **Modify all Fonts** to change the font and font size of text elements in the model to the values selected in the input parameters.

For the input parameters, if you specify **Common**, clicking **Modify all Fonts** changes the font and font sizes of text elements in the model to the most commonly used fonts, font sizes, or font styles.

See Also

- MAB guideline db_0043: Model font and font size
- JMAAB guideline db_0043
- “Specify Fonts in Models”

Check whether block names appear below blocks

Check ID: mathworks.maab.db_0142

Check whether block names appear below blocks.

Description

Identifies and reports if the block name does not appear below the block.

Note For vertically oriented blocks, this check reports the block names if they are not placed at right side of the block.

This check requires a Simulink Check license.

Check Parameterization

This check does not include sub-checks because the MAB modeling guideline only provides one sub ID.

For reference, the MAB guideline sub ID(s) that are recommended for use by the NA-MAAB and JMAAB modeling standards organizations are:

- NA-MAAB — a
- JMAAB — a

Results and Recommended Actions

Condition	Recommended Action
Blocks have names that do not appear below the blocks.	Set the name of the block to appear below the blocks.

Capabilities and Limitations

- Runs on library models.
- Analyzes content of library linked blocks.
- Analyzes content in all masked subsystems.
- Allows exclusions of blocks and charts.

Edit-Time Checking

This check is supported by edit-time checking.

See Also

- MAB guideline db_0142: Position of block names in the Simulink documentation.
- JMAAB guideline db_0142

Check the display attributes of block names

Check ID: mathworks.maab.jc_0061

Check the display attributes of subsystem and block names.

Description

Display the name of a block or subsystem when it provides a description that is used to identify its function.

Otherwise, when the function of a block is easily identified from its visual appearance, do not display the name. Such blocks include:

- From
- Goto
- Ground
- MinMax
- Multiport Switch
- Product
- Relational Operator
- Switch
- Terminator
- Unit Delay
- Compare To Constant
- Compare To Zero
- Saturation
- ModelReference
- Logic
- Trigonometry
- Sum
- Merge

This check requires a Simulink Check license.

Check Parameterization

This check does not include sub-checks because the MAB modeling guideline only provides one sub ID.

For reference, the MAB guideline sub ID(s) that are recommended for use by the NA-MAAB and JMAAB modeling standards organizations are:

- NA-MAAB — a
- JMAAB — a

To customize the blocks and masks that are checked during the analysis, use the Model Advisor Configuration Editor.

- 1 Open the Model Configuration Editor and search for check ID `jc_0061`.
- 2 Under **Input Parameters**, select Custom from the **Standards** list.
- 3 Use the **Block Types list** table to delete or add a block and/or mask type.
- 4 Click **Apply** and save the configuration.

Results and Recommended Actions

Condition	Recommended Action
Name is displayed and obvious from the block appearance.	Hide the block name by selecting Format > Hide Automatic Block Name .
Name is not descriptive. Specifically, the block name is: <ul style="list-style-type: none"> • Not obvious from the block appearance. • The default name appended with an integer. 	Modify the block name to provide descriptive information, or hide the block name by selecting Format > Hide Automatic Block Name .
Name is descriptive and not displayed. Descriptive names are: <ul style="list-style-type: none"> • Provided for blocks that are not obvious from the block appearance. • Not a default name appended with an integer. 	Modify the blocks to show the block name by deselecting Format > Hide Automatic Block Name .
Check does not evaluate my custom blocks and masks.	Use the Model Configuration Editor to add your custom checks and blocks.

Capabilities and Limitations

- Runs on library models.
- Analyzes content of library-linked blocks. By default, the input parameter **Follow links** is set to on.
- Analyzes content in masked subsystems. By default, the input parameter **Look under masks** is set to graphical.
- Allows exclusions of blocks and charts.

See Also

- MAB guideline jc_0061: Display of block names
- JMAAB guideline jc_0061

Check for nondefault block attributes

Check ID: mathworks.maab.db_0140

Identify blocks that use nondefault block parameter values that are not displayed in the model diagram.

Description

Model diagrams should display block parameters that have values other than default values. One way of displaying this information is by using the **Block Annotation** tab in the Block Properties dialog box.

For a list of block parameter default values, see “Block-Specific Parameters”.

Tip If you use the `add_block` function with `'built-in/blocktype'` as a source block path name for Simulink built-in blocks, some default parameter values of some blocks are different from the defaults that you get if you added those blocks interactively by using Simulink.

This check requires a Simulink Check license.

Check Parameterization

This check does not include sub-checks because the MAB modeling guideline only provides one sub ID.

For reference, the MAB guideline sub ID(s) that are recommended for use by the NA-MAAB and JMAAB modeling standards organizations are:

- NA-MAAB — No recommendations
- JMAAB — a

To customize the block parameters for this check, use the Model Advisor Configuration Editor.

- 1 Open the Model Configuration Editor and search for check ID `db_0140`.
- 2 Under **Input Parameters**, select `Custom` from the **Standard** drop-down.
- 3 Use the **List of Block Types** table to delete or add a parameter for the block.
- 4 Click **Apply** and save the configuration.

Results and Recommended Actions

Condition	Recommended Action
Block parameters that have values other than default values, and the values are not in the model display.	In the Block Properties dialog box, use the Block Annotation tab to add block parameter annotations.

Action Results

You can use the **Add non-default values into block annotation** button to add an annotation to the block display that specifies the nondefault block parameter that was flagged in the analysis. Rerun the check; the block is no longer flagged.

Capabilities and Limitations

- Only customizable for block-specific parameters, see “Block-Specific Parameters”.
- Runs on library models.
- Analyzes content of library linked blocks.
- Analyzes content in masked subsystems that have no workspaces and no dialog boxes.
- Allows exclusions of blocks and charts.

See Also

- MAB guideline `db_0140`: Display of block parameters
- JMAAB guideline: `db_0140`

Check Model Description

Check ID: mathworks.jmaab.jc_0603

Description

Identifies the layers in a model that have inconsistent description formatting for the following model elements:

- Annotations
- Model Info Block
- DocBlock Block

This check requires a Simulink Check license.

Check Parameterization

This check contains sub-checks that correspond to the sub IDs that are specified in the MAB and JMAAB modeling guidelines. You can use the Model Advisor Configuration Editor to specify which sub IDs (one or multiple) to execute.

For reference, the MAB guideline sub ID(s) that are recommended for use by the NA-MAAB and JMAAB modeling standards organizations are:

- NA-MAAB — No recommendations
- JMAAB — a, b

You can select the description block type and configure the description tags from the **Description Block Type** and **Description Tags** input parameters. The format for the **Description Tags** should be of a string type with comma separated tags.

By default, the **Description Block Type** is set to **Annotation** and the **Description Tags** parameter is **Input:,Description:,Output:**.

For example, considering the default values (Input:, Description:, Output:), each of the layer in the model should have the description format as following:

Input: <input information>

Description: <model description>

Output: <output information>

Results and Recommended Actions

Guideline Sub ID	Condition	Recommended Action
jc_0603_a: Check for layer description at each layer	One or more layers in the model do not have model descriptions.	Add model descriptions at all the layers in the model.
jc_0603_b: Check for consistent layer description	One or more layers in the model do not have consistent model description formatting.	Make sure to have consistent format for the model descriptions at all the layers in the model.

Capabilities and Limitations

- Runs on library models.
- Analyzes content of library-linked blocks. By default, the input parameter **Follow links** is set to `on`.
- Analyzes content in masked subsystems. By default, the input parameter **Look under masks** is set to `graphical`.
- Supports exclusions of blocks or charts.

See Also

- MAB guideline `jc_0603`: Model description
- JMAAB guideline `jc_0603`

Check if blocks are shaded in the model

Check ID: `mathworks.jmaab.jc_0604`

Description

Checks if block shading is used in the model.

This check requires a Simulink Check license.

Check Parameterization

This check does not include sub-checks because the MAB modeling guideline only provides one sub ID.

For reference, the MAB guideline sub ID(s) that are recommended for use by the NA-MAAB and JMAAB modeling standards organizations are:

- NA-MAAB — `a`
- JMAAB — `a`

Results and Recommended Actions

Condition	Recommended Action
Block shading is turned on .	Consider turning off the DropShadow property in blocks for better readability.

Capabilities and Limitations

- Runs on library models.
- Analyzes content in masked subsystems. By default, the input parameter **Look under masks** is set to `graphical`.
- Analyzes content of library-linked blocks. By default, the input parameter **Follow links** is set to `on`.
- Allows exclusions of blocks and charts.

See Also

- MAB guidelines jc_0604: Using block shadow
- JMAAB guideline jc_0604

Check for unconnected signal lines and blocks

Check ID: `mathworks.jmaab.db_0081`

Check whether model has unconnected input ports, output ports, or signal lines.

Description

Unconnected blocks and signal lines should be connected to Terminator or Ground blocks.

This check requires a Simulink Check license.

Check Parameterization

This check contains sub-checks that correspond to the sub IDs that are specified in the MAB and JMAAB modeling guidelines. You can use the Model Advisor Configuration Editor to specify which sub IDs (one or multiple) to execute.

For reference, the MAB guideline sub ID(s) that are recommended for use by the NA-MAAB and JMAAB modeling standards organizations are:

- NA-MAAB — a, b
- JMAAB — a, b

Results and Recommended Actions

Guideline Sub ID	Condition	Recommended Action
db_0081_a: Check for unconnected signal lines	One or more signal lines in the model are not connected.	Connect the signal lines to the correct source or destination block. If the destination block is not known, use a Terminator or Ground block to terminate the line.
db_0081_b: Check for unconnected subsystems and basic blocks	One or more blocks in the model are not connected.	Connect the blocks to the correct source or destination block. If the destination block is not known, use a Terminator or Ground block to terminate the line.

Capabilities and Limitations

- Runs on library models.
- Analyzes content of library-linked blocks. By default, the input parameter **Follow links** is set to on.
- Analyzes content in masked subsystems. By default, the input parameter **Look under masks** is set to graphical.

- Allows exclusions of blocks and charts.

See Also

- MAB guideline db_0081: Unconnected signals and blocks
- JMAAB guideline db_0081

Check signal line connections

Check ID: mathworks.jmaab.db_0032

Description

Checks if the Simulink signals that are intersecting and overlapping adhere to recommended guidelines.

This check requires a Simulink Check license.

Check Parameterization

This check contains sub-checks that correspond to the sub IDs that are specified in the MAB and JMAAB modeling guidelines. You can use the Model Advisor Configuration Editor to specify which sub IDs (one or multiple) to execute.

For reference, the MAB guideline sub ID(s) that are recommended for use by the NA-MAAB and JMAAB modeling standards organizations are:

- NA-MAAB — a1/a2, b, c, e
- JMAAB — a1/a2, b, c, d, e

Note Subchecks db_0032_a1, db_0032_b, db_0032_c, db_0032_d, and db_0032_e are selected by default.

The input parameter **Signal crossing threshold (in %)** allows you to set a condition to fail the check if the set threshold is met. Signal crossing threshold is a percentage of signal violations to the total number of Signal Lines in the model.

Example:

If the **Signal crossing threshold (in %)** is set to 50%, then the check will only fail when number of violations crosses 50% of total number of Signal lines in the block diagram.

If the **Signal crossing threshold (in %)** is set to 0%, any single Violation will cause the Check to fail whereas, for 100% threshold, all Signal Lines in the model must be violating the guideline for the Check to fail.

Results and Recommended Actions

Guideline Sub ID	Condition	Recommended Action
db_0032_a1: Check signal intersections	Simulink signals intersect each other.	Make sure that the signals do not intersect with each other.

Guideline Sub ID	Condition	Recommended Action
db_0032_a2: Check if Line crossing style is set to "Line hop"	Line crossing style preference is not set to "Line hop".	Set Line crossing style preference to "Line hop".
db_0032_b: Check signal overlaps	Simulink signals overlap each other.	Make sure that the signals do not overlap with each other.
db_0032_c: Check if signals are intersecting blocks	Simulink signals are drawn over a Simulink block.	Make sure that the signals are not drawn over any Simulink blocks.
db_0032_d: Check if signal lines are split into multiple sublines	Signal lines are split into multiple sublines.	Reposition the signals to avoid splitting of signal lines.
db_0032_e: Check if signals are drawn as slanting lines	Signals are drawn as slanting lines in the diagram.	Make sure to draw signals as vertical or horizontal lines.

Capabilities and Limitations

- Signal hop preference is considered.
- Block label overlaps are not analyzed.
- Simulink signals that split into more than two signals at a single branch are considered.
- Runs on library models.
- Allows exclusions of subsystems.
- Analyzes content of library-linked blocks. By default, the input parameter **Follow links** is set to on.
- Analyzes content in masked subsystems. By default, the input parameter **Look under masks** is set to graphical.

See Also

- MAB guideline db_0032: Signal line connections
- JMAAB guideline db_0032

Check signal flow in model

Check ID: mathworks.maab.db_0141

Description

Identify subsystems with inappropriate signal flow. The signal flow in the models and subsystems should be from left to right.

This check requires a Simulink Check license.

Results and Recommended Actions

Guideline Sub-ID	Condition	Recommended Action
db_0141_a: Check placement of sequential block	The placement of blocks in subsystems is distorted.	<p>Ensure that the signal flow in the mentioned subsystems is from left to right.</p> <p>All sequential blocks, except the blocks on feedback path, must be placed from left to right.</p> <p>All blocks, except the blocks on feedback path, should be oriented to the right.</p>
db_0141_b: Check placement of parallel blocks	One or more groups of blocks are not arranged from top to bottom.	Arrange the groups of blocks or subsystems vertically from top to bottom.

Capabilities and Limitations

- This check does not verify the conditions in guideline sub-id C.
- Runs on library models.
- Analyzes content of library-linked blocks. By default, the input parameter **Follow links** is set to on.
- Analyzes content in masked subsystems. By default, the input parameter **Look under masks** is set to graphical.
- Allows exclusions of blocks and charts.

See Also

- MAB guideline db_0141: Signal flow in Simulink models
- JMAAB guideline db_0141

Check usage of tunable parameters in blocks

Check ID: mathworks.maab.db_0110

Check whether tunable parameters specify expressions, data type conversions, or indexing operations.

Description

To make a parameter tunable, you must enter the basic block without the use of MATLAB calculations or scripting. For example, omit:

- Expressions
- Data type conversions
- Selections of rows or columns

Supported blocks include:

- Backlash
- Bias
- Combinatorial Logic
- Constant
- Dead Zone
- Derivative
- Discrete-Time Integrator
- Gain
- Hit Crossing
- Initial Condition (IC)
- Integrator
- n-D Lookup Table
- Magnitude-Angle to Complex
- Memory
- Permute Dimensions
- Quantizer
- Rate Limiter
- Rate Transition
- Real-Imag to Complex
- Relay
- Saturation
- Sine
- State-Space
- Switch
- Transport Delay
- Unit Delay
- Transport Delay

Available with Simulink Check.

Check Parameterization

This check does not include sub-checks because the MAB modeling guideline only provides one sub ID.

For reference, the MAB guideline sub ID(s) that are recommended for use by the NA-MAAB and JMAAB modeling standards organizations are:

- NA-MAAB — a
- JMAAB — a

Results and Recommended Actions

Condition	Recommended Action
Blocks have a tunable parameter that specifies an expression, data type conversion, or indexing operation.	In each case, move the calculation outside of the block, for example, by performing the calculation with a series of Simulink blocks, or pre-compute the value as a new variable.

Capabilities and Limitations

- This check does not flag if block parameters consist of expressions that contain literals.
- Runs on library models.
- Analyzes content of library linked blocks.
- Analyzes content in all masked subsystems.
- Does not evaluate mask parameters.
- Allows exclusions of blocks and charts.

See Also

- MAB guideline db_0110: Block parameters
- JMAAB guideline db_0110

Check connections between structural subsystems

Check ID: mathworks.jmaab.jc_0171

Description

Checks the signal flow when using Goto and From blocks.

This check identifies the subsystems connected to each other that use Goto and From blocks in feed-forward and feedback loops that do not have at least one signal line for each direction.

This check requires a Simulink Check license.

Check Parameterization

This check contains sub-checks that correspond to the sub IDs that are specified in the MAB and JMAAB modeling guidelines. You can use the Model Advisor Configuration Editor to specify which sub IDs (one or multiple) to execute.

For reference, the MAB guideline sub ID(s) that are recommended for use by the NA-MAAB and JMAAB modeling standards organizations are:

- NA-MAAB — No recommendations
- JMAAB — a, b

You can configure the check to run on the Variant Subsystems, and Conditionally Executed Subsystems by selecting the **Variant Subsystems**, and **Conditionally Executed Subsystems** options respectfully from the Model Advisor Configuration Editor. By default, these options are enabled.

Results and Recommended Actions

Guideline Sub ID	Condition	Recommended Action
jc_0171_a: Check direct connections between structural subsystems	One or more structural subsystems do not have direct connections between them.	Consider making at least one direct connection between the listed subsystems in the given direction (Subsystem 1 to Subsystem 2) with the exception of memory, delay and bus creator/selector blocks.
jc_0171_b: Check for unused inputs inside structural subsystems	One or more structural subsystems have unused inputs.	Consider removing the unused inputs inside the structural subsystems. Reducing the number of unnecessary connections makes connection relationships clearer.

Capabilities and Limitations

- The check allows the connections made from the referenced subsystems within another subsystem.
- Runs on library models.
- Analyzes content of library-linked blocks. By default, the input parameter **Follow links** is set to on.
- Analyzes content in masked subsystems. By default, the input parameter **Look under masks** is set to graphical.
- Allows exclusions of blocks and charts.

See Also

- MAB guideline jc_0171: Clarification of connections between structural subsystems
- JMAAB guideline jc_0171

Check for consistency in model element names

Check ID: mathworks.jmaab.jc_0602

Description

Checks if the model elements connected to a signal are following consistent naming.

The following names must be matched exactly when directly connected with signal lines:

- Inport block name
- Outport block name
- Structural subsystem input port label name
- Structural subsystem output port label name
- From tag name
- Goto tag name

- Signal line signal name

Exception 1: The name of a signal line connected to one of the below subsystems can have a different name to that of the subsystem port label name:

- Reusable subsystems
- Subsystems linked to a library

Exception 2: If a combination of Inport blocks, Outport blocks, and other blocks have the same block name, use a suffix or prefix for the Inport and Outport blocks for consistent naming. This can be configured through Model Advisor Configuration Editor.

This check requires a Simulink Check license.

Check Parameterization

This check does not include sub-checks because the MAB modeling guideline only provides one sub ID.

For reference, the MAB guideline sub ID(s) that are recommended for use by the NA-MAAB and JMAAB modeling standards organizations are:

- NA-MAAB — No recommendations
- JMAAB — a

You can configure the following parameters to customize the check action:

Input Parameter	Value
Consistent naming format for combination of Inport and Outport blocks	Prefix(<Prefix_tag><Signal_name><Sequence>) or Suffix(<Signal_name><Sequence><Suffix_tag>)
Prefix/Suffix tag for Inports	IN_ (Default value, can be configured)
Prefix/Suffix tag for Outports	OUT_ (Default value, can be configured)

Results and Recommended Actions

Condition	Recommended Action
One or more model elements are not consistent with the connected signal name.	Consider renaming the deviating model elements to match the signal name or to be consistent with Inport/Outport blocks.

Capabilities and Limitations

- Runs on library models.
- Analyzes content in masked subsystems. By default, the input parameter **Look under masks** is set to `graphical`.
- Allows exclusions of blocks or charts.

See Also

- MAB guideline jc_0602: Consistency in model element names

- JMAAB guideline jc_0602

Check trigger signal names

Check ID: mathworks.jmaab.jc_0281

Description

Identifies the trigger blocks where the origin of the trigger signal and the destination have similar names.

Note The check compares the names using **Levenshtein distance** .

This check requires a Simulink Check license.

Check Parameterization

This check contains sub-checks that correspond to the sub IDs that are specified in the MAB and JMAAB modeling guidelines. You can use the Model Advisor Configuration Editor to specify which sub IDs (one or multiple) to execute.

For reference, the MAB guideline sub ID(s) that are recommended for use by the NA-MAAB and JMAAB modeling standards organizations are:

- NA-MAAB — No recommendations
- JMAAB — a1/a2/a3/a4, b1/b2/b3/b4

Note Sub-checks jc_0281_a1 and jc_0281_b1 are selected by default.

Results and Recommended Actions

Guideline Sub ID	Condition	Recommended Action
jc_0281_a1: Check names of the origin of the trigger signal and the conditional input block	The name of the block at the origin of the trigger signal and the conditional input block name at the destination are dissimilar.	The name of the block at the origin of the trigger signal and the conditional input block name at the destination must include the same name.
jc_0281_a2: Check names of the trigger signal and the conditional subsystem	The name of the block at the origin of the trigger signal and the conditional subsystem name at the destination are dissimilar.	The name of the block at the origin of the trigger signal and the conditional subsystem name at the destination must include the same name.
jc_0281_a3: Check names of the origin of the trigger signal and the conditional input block	The name of the trigger signal and the conditional input block name at the destination are dissimilar.	The name of the trigger signal and the conditional input block name at the destination must include the same name.

Guideline Sub ID	Condition	Recommended Action
jc_0281_a4: Check names of the trigger signal and the conditional subsystem	The name of the trigger signal and the conditional subsystem name at the destination must include the same name.	The name of the trigger signal and the conditional subsystem name at the destination are dissimilar.
jc_0281_b1: Check names of the origin of the trigger signal and the Stateflow block event	The name of the block at the origin of the trigger signal and the Stateflow block event name at the destination are dissimilar.	The name of the block at the origin of the trigger signal and the Stateflow block event name at the destination must include the same name.
jc_0281_b2: Check names of the origin of the trigger signal and the Chart name	The name of the block at the origin of the trigger signal and the Chart name at the destination are dissimilar.	The name of the block at the origin of the trigger signal and the Chart name at the destination must include the same name.
jc_0281_b3: Check names of trigger signal and the Stateflow block event	The name of the trigger signal and the Stateflow block event name at the destination are dissimilar.	The name of the trigger signal and the Stateflow block event name at the destination must include the same name.
jc_0281_b4: Check names of the trigger signal and the Chart	The name of the trigger signal and the Chart name at the destination are dissimilar.	The name of the trigger signal and the Chart name at the destination must include the same name.

Capabilities and Limitations

- This check flags Trigger and Enable block names only.
- Runs on library models.
- Analyzes content of library-linked blocks. By default, the input parameter **Follow links** is set to on.
- Analyzes content in masked subsystems. By default, the input parameter **Look under masks** is set to graphical.
- Supports exclusions of blocks or charts.

See Also

- MAB guideline jc_0281: Trigger signal names
- JMAAB guideline jc_0281

Check for mixing basic blocks and subsystems

Check ID: mathworks.maab.db_0143

Check for systems that mix primitive blocks and subsystems.

Description

You must design each level of a model with building blocks of the same type, for example, only subsystems or only primitive (basic) blocks. If you mask your subsystem and set MaskType to a nonempty string, the Model Advisor treats the subsystem as a basic block.

This check requires a Simulink Check license.

Check Parameterization

This check does not include sub-checks because the MAB modeling guideline only provides one sub ID.

For reference, the MAB guideline sub ID(s) that are recommended for use by the NA-MAAB and JMAAB modeling standards organizations are:

- NA-MAAB — a
- JMAAB — a

To customize the blocks and masks that are checked during the analysis, use the Model Advisor Configuration Editor.

- 1 Open the Model Configuration Editor and search for check ID `db_0143`.
- 2 Under **Input Parameters**, select Custom from the **Standards** list.
- 3 In the **Treat blocktype list as** list, select Allowed to include the blocks/masks in the analysis or Prohibited to exclude the blocks/masks from the analysis.
- 4 Use the **Block Types list** table to delete or add a block and/or mask type.
- 5 Click **Apply** and save the configuration.

Results and Recommended Actions

Condition	Recommended Action
A level in the model includes subsystem blocks and primitive blocks.	Move nonvirtual blocks into the subsystem.

Capabilities and Limitations

- Runs on library models.
- Analyzes content of library-linked blocks. By default, the input parameter **Follow links** is set to on.
- Analyzes content in masked subsystems. By default, the input parameter **Look under masks** is set to all.
- Allows exclusions of blocks and charts.

See Also

- MAB guideline `db_0143`: Usable block types in model hierarchy
- JMAAB guideline `db_0143`

Check for avoiding algebraic loops between subsystems

Check ID: `mathworks.jmaab.jc_0653`

Description

Checks the placement of the Delay blocks in algebraic loops between subsystems.

This check requires a Simulink Check license.

Check Parameterization

This check does not include sub-checks because the MAB modeling guideline only provides one sub ID.

For reference, the MAB guideline sub ID(s) that are recommended for use by the NA-MAAB and JMAAB modeling standards organizations are:

- NA-MAAB — a
- JMAAB — a

Results and Recommended Actions

Condition	Recommended Action
Delay blocks in feedback loops are placed inside subsystem.	Delay blocks in feedback loops must be placed outside of their parent subsystem.

Capabilities and Limitations

- Runs on library models.
- Analyzes content in masked subsystems. By default, the input parameter **Look under masks** is set to `graphical`.
- Analyzes content of library-linked blocks. By default, the input parameter **Follow links** is set to `on`.
- Allows exclusions of blocks and charts.

See Also

- MAB guideline `jc_0653`: Delay block layout in feedback loops
- JMAAB guideline `jc_0653`

Check for prohibited sink blocks

Check ID: `mathworks.maab.hd_0001`

Check for prohibited Simulink sink blocks.

Description

You must design controller models from discrete blocks. Sink blocks, such as the Scope block, are not allowed in controller models.

This check requires a Simulink Check license.

Check Parameterization

This Model Advisor check is not applicable for JMAAB modeling guidelines.

This check does not include sub-checks

For reference, the MAB guideline sub-ID(s) that are recommended for use by the NA-MAAB and JMAAB modeling standards organizations are:

- NA-MAAB — a
- JMAAB — Not supported

To customize the blocks and masks that are checked during the analysis, use the Model Advisor Configuration Editor.

- 1 Open the Model Configuration Editor and search for check ID `hd_0001`.
- 2 Under **Input Parameters**, select `Custom` from the **Standards** list.
- 3 In the **Treat blocktype list as** list, select `Allowed` to include the blocks/masks in the analysis or `Prohibited` to exclude the blocks/masks from the analysis.
- 4 Use the **Block Types list** table to delete or add a block and/or mask type.
- 5 Click **Apply** and save the configuration.

Results and Recommended Actions

Condition	Recommended Action
Sink blocks are not permitted in discrete controllers.	Remove sink blocks from the model.

Capabilities and Limitations

- Runs on library models.
- Analyzes content of library linked blocks.
- Analyzes content in all masked subsystems.
- Allows exclusions of blocks and charts.

Edit-Time Checking

This check is supported by edit-time checking.

See Also

- MAB guideline: `hd_0001`: Prohibited Simulink sinks

Check usage of vector and bus signals

Check ID: `mathworks.jmaab.na_0010`

Check usage of buses and Mux blocks.

Description

This check verifies the usage of buses and Mux blocks.

This check requires a Simulink Check license.

Check Parameterization

This check contains sub-checks that correspond to the sub-IDs that are specified in the MAB and JMAAB modeling guidelines. You can use the Model Advisor configuration editor to specify which sub-IDs (one or multiple) to execute.

For reference, the MAB guideline sub-ID(s) that are recommended for use by the NA-MAAB and JMAAB modeling standards organizations are:

- NA-MAAB — No recommendations
- JMAAB — a, b, c, d

Results and Recommended Actions

Guideline Sub ID	Condition	Recommended Action
na_0010_a: Check usage of Mux and Demux blocks	Mux and Demux blocks are not used to generate and decompose vectors.	Use Mux and Demux blocks to generate and decompose vectors respectively.
na_0010_b: Check inputs to Mux blocks	Mux blocks have inputs which are not scalars or vectors.	Use only scalar or vector signals as inputs to Mux blocks.
na_0010_c: Check bus signals treated as vectors	One or more configuration parameters are set inappropriately.	Set the configuration parameters to the recommended value.
na_0010_d: Check usage of bus signals	One or more blocks are not supported for use with bus signals.	Use buses only with bus-supported blocks.

Capabilities and Limitations

- The check does not flag when blocks other than Demux and Mux are used to generate or decompose a vector. For example, a Selector block used instead of Demux or a Vector Concatenate used instead of Mux block. (Sub ID: a)
- This check supports auto fix mechanism, you can now click on the **Modify** button to fix the errors displayed in the report.
- Does not run on library models.
- Allows exclusions of blocks or charts.
- Analyzes content of library-linked blocks. By default, the input parameter **Follow links** is set to on.
- Analyzes content in masked subsystems. By default, the input parameter **Look under masks** is set to graphical.

See Also

- MAB guideline na_0010: Usage of vector and bus signals
- JMAAB guideline na_0010
- “Composite Signals”

Check signal line labels

Check ID: mathworks.jmaab.jc_0008

Check the labeling on signal lines.

Description

Use a label to identify:

- Signals originating from the following blocks (the block icon exception noted below applies to all blocks listed, except Inport, Bus Selector, Demux, and Selector):
 - Bus Selector block (tool forces labeling)
 - Chart block (Stateflow)
 - Constant block
 - Data Store Read block
 - Demux block
 - From block
 - Inport block
 - Selector block
 - Subsystem block

Block Icon Exception If a signal label is visible in the display of the icon for the originating block, you do not have to display a label for the connected signal unless the signal label is required elsewhere due to a rule for signal destinations.

- Signals connected to one of the following destination blocks (directly or indirectly with a basic block that performs an operation that is not transformative):
 - Bus Selector block (tool forces labeling)
 - Chart block (Stateflow)
 - Data Store Write block
 - Goto block
 - Mux block
 - Outport block
 - Subsystem block
- Any signal of interest.

This check requires a Simulink Check license.

Check Parameterization

This check does not include sub-checks because the MAB modeling guideline only provides one sub ID.

For reference, the MAB guideline sub ID(s) that are recommended for use by the NA-MAAB and JMAAB modeling standards organizations are:

- NA-MAAB — No recommendations
- JMAAB — a

To customize the list of block types to check output signal labels and list of block types to check input signal labels use the Model Advisor Configuration Editor.

- 1 Open the Model Configuration Editor and search for check ID `db_0140`.
- 2 Under **Input Parameters**, select Custom from the **Standard** drop-down.
- 3 Use the **List of block types to check output signal labels** table and **List of block types to check input signal labels** tables to delete or add a parameter for the block.
- 4 Click **Apply** and save the configuration.

Results and Recommended Actions

Condition	Recommended Action
Signals coming from Bus Selector, Chart, Constant, Data Store Read, Demux, From, Inport, or Selector blocks are not labeled.	Label the signal.

Capabilities and Limitations

- Runs on library models.
- Analyzes content of library linked blocks.
- Analyzes content of library-linked blocks. By default, the input parameter **Follow links** is set to on.
- Analyzes content in masked subsystems. By default, the input parameter **Look under masks** is set to graphical.
- Allows exclusions.

See Also

- MAB guideline `jc_0008`: Definition of signal names
- JMAAB guideline `jc_0008`
- “Signal Basics”

Check for propagated signal labels

Check ID: `mathworks.jmaab.jc_0009`

Check for propagated labels on signal lines.

Description

You should propagate a signal label from its source rather than enter the signal label explicitly (manually) if the signal originates from:

- An Inport block in a nested subsystem. However, if the nested subsystem is a library subsystem, you can explicitly label the signal coming from the Inport block to accommodate reuse of the library block.
- A basic block that performs a non-transformative operation.
- A Subsystem or Stateflow Chart block. However, if the connection originates from the output of an instance of the library block, you can explicitly label the signal to accommodate reuse of the library block.

This check requires a Simulink Check license.

Check Parameterization

This check does not include sub-checks because the MAB modeling guideline only provides one sub ID.

For reference, the MAB guideline sub ID(s) that are recommended for use by the NA-MAAB and JMAAB modeling standards organizations are:

- NA-MAAB — No recommendations
- JMAAB — a,b

Results and Recommended Actions

Guideline Sub ID	Condition	Recommended Action
jc_0009_a: Check Signal name propagation for subsystems	The model includes subsystems that do not have propagated signal labels.	Add labels and enable signal propagation by selecting Show propagated signal parameter for signals.
	One or more subsystems in the model display empty propagated signals.	Disable signal propagation by un-selecting Show propagated signal parameter, or if required, add a new label.
	One or more subsystems in the model do not display propagated signals but have signal names.	Remove labels and enable signal propagation by selecting Show propagated signal parameter for signals.
jc_0009_b: Check Signal name propagation for connection blocks	One or more connection blocks in the model do not propagate signals even when source block has labels.	Enable signal propagation by selecting Show propagated signal parameter for signals.
	One or more connection blocks in the model display empty propagated signals.	Disable signal propagation by un-selecting Show propagated signal parameter, or if required, add a new label.
	One or more connection blocks in the model do not display propagated signals but have signal names.	Remove labels and enable signal propagation by selecting Show propagated signal parameter for signals.

Capabilities and Limitations

- Does not run on library models.
- Analyzes content in masked subsystems. By default, the input parameter **Look under masks** is set to `graphical`.
- Analyzes content of library-linked blocks. By default, the input parameter **Follow links** is set to `on`.
- Allows exclusions.

See Also

- MAB guideline jc_0009: Signal name propagation
- JMAAB guideline jc_0009
- “Signal Basics”

Check position of signal labels

Check ID: `mathworks.jmaab.db_0097`

Identify inappropriately placed signal labels for signals and buses.

Description

This check requires a Simulink Check license.

Check Parameterization

This check contains sub-checks that correspond to the sub IDs that are specified in the MAB and JMAAB modeling guidelines. You can use the Model Advisor Configuration Editor to specify which sub IDs (one or multiple) to execute.

For reference, the MAB guideline sub ID(s) that are recommended for use by the NA-MAAB and JMAAB modeling standards organizations are:

- NA-MAAB — a, b, c
- JMAAB — a, b, c

Results and Recommended Actions

Guideline Sub ID	Condition	Recommended Action
db_0097_a: Check overlap of signal labels	One or more signals in the model have labels which overlap other objects.	Place the signal labels so that it is readable.
db_0097_b: Check position of signal labels	One or more signals in the model have labels placed at the top of signal line.	Place the signal labels underneath the signal lines.
db_0097_c: Check location of signal labels	One or more signals in the model do not have labels located at the origin of the signal line.	Place the signal labels at the origin of the signal line.

Capabilities and Limitations

- The modify action for this check currently addresses the issue by changing the location and correcting the flip format of the signal label. This action will not modify the position of the signal line to correct the overlap of signal labels.
- Runs on library models.
- Analyzes content of library-linked blocks. By default, the input parameter **Follow links** is set to `on`.
- Analyzes content in masked subsystems. By default, the input parameter **Look under masks** is set to `graphical`.

- Analyzes content in all masked files.
- Support exclusions of blocks or charts.

See Also

- MAB guideline db_0097: Position of labels for signals and buses
- JMAAB guideline db_0097

Check signal line labels

Check ID: mathworks.maab.na_0008

Check the labeling on signal lines.

Description

Use a label to identify:

- Signals originating from the following blocks (the block icon exception noted below applies to all blocks listed, except Inport, Bus Selector, Demux, and Selector):
 - Bus Selector block (tool forces labeling)
 - Chart block (Stateflow)
 - Constant block
 - Data Store Read block
 - Demux block
 - From block
 - Inport block
 - Selector block
 - Subsystem block

Block Icon Exception

- For Constant and Data Store Read blocks, if a signal label is visible in the display of the originating block, you do not have to display a label for the connected signal unless the signal label is required elsewhere due to a rule for signal destinations.
 - For Subsystem, Chart, and From blocks, if a signal label is visible in the display of the originating block, and signal Propagation for the signal is enabled by signal property **Show propagated signals**, you do not have to display a label for the connected signal.
-
- Signals connected to one of the following destination blocks (directly or indirectly with a basic block that performs an operation that is not transformative):
 - Bus Selector block (tool forces labeling)
 - Chart block (Stateflow)
 - Data Store Write block
 - Goto block

- Mux block
- Outport block
- Subsystem block
- Any signal of interest.

This check requires a Simulink Check license.

Check Parameterization

To customize the blocks and masks for this check, use the Model Advisor Configuration Editor.

- 1 Open the Model Configuration Editor and search for check ID na_0008.
- 2 Under **Input Parameters**, select Custom from the **Standards** list.
- 3 Add or delete the blocks and/or masks from the **List of block types to check output signal labels** and **List of block types to check input signal labels** tables.
- 4 Click **Apply** and save the configuration.

Results and Recommended Actions

Condition	Recommended Action
Signals coming from Bus Selector, Chart, Constant, Data Store Read, Demux, From, Inport, or Selector blocks are not labeled.	Label the signal.
Blocks from the list below that receive signals are not labeled: Outport, Goto, DataStore, BusCreator, Mux, or SubSystem.	Label the signal.

Capabilities and Limitations

- Runs on library models.
- Allows exclusions of blocks or charts.
- Analyzes content of library-linked blocks. By default, the input parameter **Follow links** is set to on.
- Analyzes content in masked subsystems. By default, the input parameter **Look under masks** is set to graphical.

See Also

- MAB guideline: na_0008: Display of labels on signals
- “Signal Names and Labels”.

Check for propagated signal labels

Check ID: mathworks.maab.na_0009

Description

Check for propagated labels on signal lines.

You should propagate a signal label from its source rather than enter the signal label explicitly (manually) if the signal originates from:

- An Inport block in a nested subsystem. However, if the nested subsystem is a library subsystem, you can explicitly label the signal coming from the Inport block to accommodate reuse of the library block.
- A basic block that performs a non-transformative operation (The output data type of these blocks remains the same as input).
- A Subsystem or Stateflow Chart block. However, if the connection originates from the output of an instance of the library block, you can explicitly label the signal to accommodate reuse of the library block.

This check requires a Simulink Check license.

Check Parameterization

This Model Advisor check is not applicable for JMAAB modeling guidelines.

This check does not include sub-checks

For reference, the MAB guideline sub ID(s) that are recommended for use by the NA-MAAB and JMAAB modeling standards organizations are:

- NA-MAAB — a
- JMAAB — Not supported

Results and Recommended Actions

Condition	Recommended Action
The model includes signal labels that were entered explicitly, but should be propagated.	Use the open angle bracket (<) character to mark signal labels that should be propagated and remove the labels that were entered explicitly.

Capabilities and Limitations

- This check should not be run on models for AUTOSAR.
- Does not run on library models.
- Analyzes content in masked subsystems that have no workspaces and no dialogs. By default, the input parameter **Look under masks** is set to `graphical`.
- Analyzes content of library-linked blocks. By default, the input parameter **Follow links** is set to `on`.
- Allows exclusions of blocks or charts.

See Also

- MAB guideline: `na_0009`: Entry versus propagation of signal labels
- “Signal Names and Labels”.

Check block orientation

Check ID: `mathworks.jmaab.jc_0110`

Checks blocks with changed orientation.

Description

Identifies the blocks that are reversed or with rotated orientation. This check excludes Unit Delay and Delay blocks.

This check requires a Simulink Check and Stateflow license.

Check Parameterization

This check does not include sub-checks because the MAB modeling guideline only provides one sub ID.

For reference, the MAB guideline sub ID(s) that are recommended for use by the NA-MAAB and JMAAB modeling standards organizations are:

- NA-MAAB — No recommendations
- JMAAB — a

Results and Recommended Actions

Condition	Recommended Action
Some blocks in the model have rotated or reversed orientation.	Flip or rotate these blocks to be oriented toward the right.

Capabilities and Limitations

- Runs on library models.
- Analyzes content of library-linked blocks. By default, the input parameter **Follow links** is set to `on`.
- Analyzes content in masked subsystems. By default, the input parameter **Look under masks** is set to `graphical`.
- Allows exclusions of blocks and charts.

See Also

- MAB guideline `jc_0110`: Direction of block
- JMAAB guideline `jc_0110`

Check Indexing Mode

Check ID: `mathworks.jmaab.db_0112`

Description

Identifies blocks and charts with inconsistent Indexing mode.

Blocks with either 0 or 1 based indexing:

- Assignment
- For Iterator Subsystem

- Find
- Multiport Switch
- Selector

Blocks with default 1 based indexing:

- MATLAB Function
- Fcn
- MATLAB System
- Truth Table
- State Transition Table
- Test Sequence

Note

- For Simulink, there are no blocks with default zero-based indexing.
 - For Stateflow, if action language for a chart is set to MATLAB, it is 1 based indexing, if the action language is set to C it is 0 based indexing.
-

This check requires Simulink Check and Stateflow licenses.

Check Parameterization

This check contains sub-checks that correspond to the sub IDs that are specified in the MAB and JMAAB modeling guidelines. You can use the Model Advisor Configuration Editor to specify which sub IDs (one or multiple) to execute.

For reference, the MAB guideline sub ID(s) that are recommended for use by the NA-MAAB and JMAAB modeling standards organizations are:

- NA-MAAB — a1/a2
- JMAAB — a1/a2

Note Sub-check db_0112_a1 is selected as the default

Results and Recommended Actions

Guideline Sub ID	Condition	Recommended Action
db_0112_a1: Check for Zero-Based Indexing Mode	One or more blocks or charts in the model have One-Based Indexing mode or Specify indices mode.	Consider remodeling by using Zero-Based Indexing.
db_0112_a2: Check for One-Based Indexing Mode.	One or more blocks or charts in the model have Zero-Based Indexing mode or Specify indices mode.	Consider remodeling by using One-Based Indexing.

Capabilities and Limitations

- Runs on library models.
- Allows exclusions.
- Analyzes content of library-linked blocks. By default, the input parameter **Follow links** is set to on.
- Analyzes content in masked subsystems. By default, the input parameter **Look under masks** is set to graphical.

See Also

- MAB guideline db_0112: Usage of index
- JMAAB guideline db_0112

Check if tunable block parameters are defined as named constants

Check ID: mathworks.jmaab.jc_0645

Description

Checks if the tunable block parameters are defined as named constants.

Block parameters that are targets of calibration must be defined as named constants. Except for these parameters:

- Initial value when set to **0**
- Increment, decrement value when set to **1**
- Arithmetic expressions

This check requires a Simulink Check license.

Check Parameterization

This check does not include sub-checks because the MAB modeling guideline only provides one sub ID.

For reference, the MAB guideline sub ID(s) that are recommended for use by the NA-MAAB and JMAAB modeling standards organizations are:

- NA-MAAB — No recommendations
- JMAAB — a

Results and Recommended Actions

Condition	Recommended Action
Improper usage of tunable block parameter values.	Change the tunable block parameter literal values to named constants.

Capabilities and Limitations

- Runs on library models.

- Analyzes content in masked subsystems. By default, the input parameter **Look under masks** is set to `graphical`.
- Analyzes content of library-linked blocks. By default, the input parameter **Follow links** is set to `on`.
- Allows exclusions of blocks and charts.

See Also

- MAB guideline `jc_0645`: Parameter definition for calibration
- JMAAB guideline `jc_0645`

Check for sample time setting

Check ID: `mathworks.jmaab.jc_0641`

Description

Check if the sample time property of a block is set to -1 (inherited).

Note The check will not flag Enable and Trigger ports if they are inside a subsystem. This is as the sample time setting cannot be edited when they are inside subsystem. They will be flagged only if they are at the model root.

This check requires a Simulink Check license.

Check Parameterization

This check does not include sub-checks because the MAB modeling guideline only provides one sub ID.

For reference, the MAB guideline sub ID(s) that are recommended for use by the NA-MAAB and JMAAB modeling standards organizations are:

- NA-MAAB — No recommendations
- JMAAB — a

Results and Recommended Actions

Condition	Recommended Action
Sample time property of a block is not set to -1 (inherited).	Change the sample time to -1 (inherited).

Capabilities and Limitations

- This check will not flag Enable and Trigger ports if they are inside a subsystem.
- This check allows you to use the Auto-Fix option to update the sample time of the flagged blocks to -1(inherited).
- Runs on library models.
- Analyzes content of library-linked blocks. By default, the input parameter **Follow links** is set to `on`.

- Analyzes content in masked subsystems. By default, the input parameter **Look under masks** is set to `graphical`.
- Allows exclusions of blocks and charts.

See Also

- MAB guideline `jc_0641`: Sample time setting
- JMAAB guideline `jc_0641`

Check usage of fixed-point data type with non-zero bias

Check ID: `mathworks.jmaab.jc_0643`

Check blocks with whose output signal data type is fixed-point and bias is not zero.

Description

For blocks that have a fixed-point data type for their output signals, check that block parameter **Bias** is set to 0.

This check requires a Simulink Check license.

Check Parameterization

This check does not include sub-checks because the MAB modeling guideline only provides one sub ID.

For reference, the MAB guideline sub ID(s) that are recommended for use by the NA-MAAB and JMAAB modeling standards organizations are:

- NA-MAAB — No recommendations
- JMAAB — a

Results and Recommended Actions

Condition	Recommended Action
In the Data Type Assistant, Mode is set to Fixed Point but the value for Bias is not 0.	Change block parameter Bias to 0.

Capabilities and Limitations

- Does not run on library models.
- Supports exclusions.
- Analyzes content of library-linked blocks. By default, the input parameter **Follow links** is set to `on`.
- Analyzes content in masked subsystems. By default, the input parameter **Look under masks** is set to `graphical`.

See Also

- MAB guideline `jc_0643`: Fixed-point setting

- JMAAB guideline jc_0643

Check type setting by data objects

Check ID: `mathworks.jmaab.jc_0644`

Description

Identifies the blocks in Simulink that violate the type setting if the signal objects are used (if signal data type is set in signal object, then it must not be set on the block side).

This check exempts:

- Data type conversion block.
- Type setting using **fixdt**.
- Double and Boolean types.
- Reusable internal part of a function (atomic subsystem).
- Block output data type set to **Inherit via backpropagation**.

This check requires a Simulink Check license.

Check Parameterization

This check does not include sub-checks because the MAB modeling guideline only provides one sub ID.

For reference, the MAB guideline sub ID(s) that are recommended for use by the NA-MAAB and JMAAB modeling standards organizations are:

- NA-MAAB — No recommendations
- JMAAB — a

Results and Recommended Actions

Condition	Recommended Action
Signal data type is set to different types in signal objects and in the block.	Set the output data type of the blocks either to auto or Inherit via back propagation .

Capabilities and Limitations

- Does not run on library models.
- Allows exclusions of blocks and charts.
- Analyzes content in masked subsystems. By default, the input parameter **Look under masks** is set to `graphical`.
- Analyzes content of library-linked blocks. By default, the input parameter **Follow links** is set to `on`.

See Also

- MAB guideline jc_0644: Type setting

- JMAAB guideline jc_0644

Check position of conditional blocks and iterator blocks

Check ID: mathworks.jmaab.db_0146

Check the position of Trigger and Enable blocks.

Description

Locate blocks that define subsystems as conditional or iterative at the top of the subsystem diagram.

This check requires a Simulink Check license.

Check Parameterization

This check contains sub-checks that correspond to the sub IDs that are specified in the MAB and JMAAB modeling guidelines. You can use the Model Advisor Configuration Editor to specify which sub IDs (one or multiple) to execute.

For reference, the MAB guideline sub ID(s) that are recommended for use by the NA-MAAB and JMAAB modeling standards organizations are:

- NA-MAAB — a, b
- JMAAB — a, b

The default block position can be configured by using the parameter **Block Position** from the Model Advisor Configuration Editor.

- 1 Open the Model Configuration Editor and search for check ID db_0146.
- 2 Enter the position of the block to check in the **Block Position** field.

By default, this parameter is set to **Top**.

- 3 Click **Apply** and save the configuration.

Results and Recommended Actions

Guideline Sub ID	Condition	Recommended Action
db_0146_a: Block layout in conditional subsystem	Trigger, Enable, and Action Port blocks are not at the top of the subsystem diagram.	Move the Trigger, Enable, and Action Port blocks to the top of the subsystem diagram.
db_0146_b: Block layout in iterative subsystem	For Each, For Iterator, and While Iterator blocks are not in the same location on the subsystem diagram.	Move the For Each, For Iterator, and While Iterator blocks so they are at a uniform location on the subsystem diagram.

Capabilities and Limitations

- The Sub-ID B of this check db_0146_b does not flag the For Each Subsystem, For Iterator Subsystem, and While Iterator Subsystem blocks when they have Inports or Outport blocks.
- Runs on library models.

- Allows exclusions of blocks and charts.
- Analyzes content of library-linked blocks. By default, the input parameter **Follow links** is set to on.
- Analyzes content in masked subsystems. By default, the input parameter **Look under masks** is set to graphical.

See Also

- MAB guideline db_0146: Block layout in conditional subsystems
- JMAAB guideline db_0146

Check undefined initial output for conditional subsystems

Check ID: mathworks.jmaab.jc_0640

Description

Checks that the initial output value for all Outports and Merge blocks connected to a conditional subsystem are explicitly defined.

Note This check identifies Outport blocks and Merge blocks connected to Conditional subsystems in your model that can cause problems if you use the classic initialization mode.

To set classic initialization mode:

- 1 On the **Modeling** tab, in **Setup** section, select **Model Settings**.
 - 2 In the Configuration Parameters dialog box, use the search box and enter **Underspecified initialization detection**.
 - 3 From the drop-down list, select **Classic**.
-

This check requires a Simulink Check license.

Check Parameterization

This check does not include sub-checks because the MAB modeling guideline only provides one sub ID.

For reference, the MAB guideline sub ID(s) that are recommended for use by the NA-MAAB and JMAAB modeling standards organizations are:

- NA-MAAB — No recommendations
- JMAAB — a

Results and Recommended Actions

Condition	Recommended Action
The initial output for all Outports and Merge blocks connected to a Conditional subsystem are not explicitly defined.	For a Conditional subsystem, explicitly define the initial output value for all Outports and Merge blocks connected to the Conditional subsystem.

Capabilities and Limitations

- Does not run on library models.
- Analyzes content in masked subsystems. By default, the input parameter **Look under masks** is set to `graphical`.
- Analyzes content of library-linked blocks. By default, the input parameter **Follow links** is set to `on`.
- Allows exclusions of blocks and charts.

See Also

- MAB guideline `jc_0640`: Initial value settings for Outport blocks in conditional subsystems
- JMAAB guideline `jc_0640`

Check usage of Merge block

Check ID: `mathworks.jmaab.jc_0659`

Identifies the blocks present in between a conditional subsystem and a merge block.

Description

Merge blocks must have direct connections from conditionally executed subsystems. While using a Merge block take the following into consideration:

- No blocks must be present in between the Merge and Conditionally executed subsystem blocks, including a virtual subsystem that does not affect the function of Merge block.
- The Merge block can be nested inside any number of subsystems, if the preceding condition is satisfied.

This check requires a Simulink Check license.

Check Parameterization

This check does not include sub-checks because the MAB modeling guideline only provides one sub ID.

For reference, the MAB guideline sub ID(s) that are recommended for use by the NA-MAAB and JMAAB modeling standards organizations are:

- NA-MAAB — No recommendations
- JMAAB — a

Results and Recommended Actions

Condition	Recommended Action
One or more blocks inserted in between a Merge and a Conditional Subsystem block.	Make direct connections from Conditional Subsystem blocks to Merge blocks.

Capabilities and Limitations

- Runs on library models.

- Analyzes content of library-linked blocks. By default, the input parameter **Follow links** is set to on.
- Analyzes content in masked subsystems. By default, the input parameter **Look under masks** is set to graphical.
- Allows exclusions of blocks and charts.

See Also

- MAB guideline jc_0659: Usage restrictions of signal lines input to Merge blocks
- JMAAB guideline jc_0659

Check logical expressions in If blocks

Check ID: mathworks.maab.na_0003

Check If blocks for inappropriate construct of primary expressions in a logical expression.

Description

Identifies instances in an If block where primary expressions are complex.

Primary expressions are defined as:

- An input
- A constant
- A constant parameter
- A parenthesized expression containing no operators other than zero or $<$, $>$, $>=$, $<=$, $==$, $\sim=$, $|$, $\&$, and \sim

Examples of primary expressions include:

- $u1$
- 5
- K
- $(u1 > 0)$
- $(u1 <= G)$
- $(u1 > U2)$
- $(\sim u1)$

Examples of acceptable logical expressions exceptions include:

- $u1 | u2$
- $((u1 > 0) \& (u1 < 20))$
- $(u1 > 0) \& (u2 < u3)$
- $(u1 > 0) \& (\sim u2)$

This table provides examples of unacceptable logical expressions.

Primary Expression	Reasoning
$u1 \ \& \ u2 \ \ u3$	Too many primary expressions.
$u1 \ \& \ (u2 \ \ u3)$	Unacceptable operator within primary expression.
$(u1 \ > \ 0) \ \& \ (u1 \ < \ 20) \ \& \ (u2 \ > \ 5)$	Too many primary expressions that are not inputs.
$(u1 \ > \ 0) \ \& \ ((2 * u2) \ > \ 6)$	Unacceptable operator within primary expression.

Exception

A logical expression can contain more than two primary expressions when both these conditions are met:

- The primary expressions are all inputs.
- Only one type of logical operator is present.

Examples of acceptable exceptions include:

- $u1 \ | \ u2 \ | \ u3 \ | \ u4 \ | \ u5$
- $u1 \ \& \ u2 \ \& \ u3 \ \& \ u4$

Simple "If" Expressions

In the literal interpretation of guideline na_0003, expression $u1 \ < \ u2$ is a violation. However, the expression follows the commonly used "If" expression template (<Primary Expression><Operator><Primary Expression>). So, when logical operators are not used and only one relational operator is present, the expression satisfies guideline na_0003 and $u1 \ < \ u2$ is NOT a violation.

This check requires a Simulink Check license.

Check Parameterization

This check does not include sub-checks because the MAB modeling guideline only provides one sub ID.

For reference, the MAB guideline sub ID(s) that are recommended for use by the NA-MAAB and JMAAB modeling standards organizations are:

- NA-MAAB — No recommendations
- JMAAB — a

Results and Recommended Actions

Condition	Recommended Action
Logical expression contains more than two primary expressions that consist of a constant, constant parameter, and input.	Consider one of the following: <ul style="list-style-type: none"> • Make primary expressions an input and either: <ul style="list-style-type: none"> • Use parenthesized expressions with one relational operator type • Construct a simple "If" express using template <Primary Expression><Logical Operator><Primary Expression> • Reduce the number of primary expressions to two or less. • Construct the logical expression using logical blocks other than the If block.
Logical expression contains more than two parenthesized expressions that use multiple relational operators	Consider one of the following: <ul style="list-style-type: none"> • Use only one type of relational operator. Acceptable logical operators include <, >, >=, <=, ==, ~=, , &, and ~. The primary expression must consist of inputs only. • Reduce the number of parenthesized expressions to two or less. • Construct the logical expression using logical blocks other than the If block.
Parenthesized expression includes a relational operator other than zero or <, >, >=, <=, ==, ~=, , &, or ~.	Consider one of the following: <ul style="list-style-type: none"> • Use relational operator <, >, >=, <=, ==, ~=, , &, or ~ within the parenthesized expression. • Construct the logical expression using logical blocks other than the If block.

Capabilities and Limitations

- Does not flag logical expressions that use only one of these relative operators <, >, >=, <=, ==, ~=, |, &, and ~
- Runs on library models.
- Analyzes content of library-linked blocks. By default, the input parameter **Follow links** is set to on.
- Analyzes content in masked subsystems. By default, the input parameter **Look under masks** is set to graphical.

See Also

- MAB guideline na_0003: Usage of If blocks
- JMAAB guideline na_0003

Check default/else case in Switch Case blocks and If blocks

Check ID: `mathworks.jmaab.jc_0656`

Description

Checks the **default/else** case in Switch Case blocks and If blocks.

This check requires a Simulink Check license.

Check Parameterization

This check does not include sub-checks because the MAB modeling guideline only provides one sub ID.

For reference, the MAB guideline sub ID(s) that are recommended for use by the NA-MAAB and JMAAB modeling standards organizations are:

- NA-MAAB — No recommendations
- JMAAB — a

Results and Recommended Actions

Condition	Recommended Action
Improper usage of Switch and If blocks.	Consider setting the default/else case option in Switch Case blocks and If blocks to on .

Capabilities and Limitations

- Runs on library models.
- Analyzes content in masked subsystems. By default, the input parameter **Look under masks** is set to `graphical`.
- Analyzes content of library-linked blocks. By default, the input parameter **Follow links** is set to `on`.
- Allows exclusions of blocks and charts.

See Also

- MAB guideline `jc_0656`: Usage of Conditional Control blocks
- JMAAB guideline `jc_0656`

Check fundamental logical and numerical operations

Check ID: `mathworks.jmaab.na_0002`

Checks data types in numerical and logic blocks.

Description

Checks the data types for logical and numerical blocks and identifies when the data type is not appropriate for the operation.

The data type for logical blocks should be Boolean. Logic blocks include:

- Logical Operator (AND, OR, NOT)
- Enable (port)
- Trigger (port)

The data type for numerical blocks should be non-Boolean. Numerical blocks include:

- Complex to Real-Imag
- Product
- Dot Product
- Gain
- Sign
- Slider Gain
- Sum

This check requires a Simulink Check license.

Check Parameterization

This check contains sub-checks that correspond to the sub IDs that are specified in the MAB and JMAAB modeling guidelines. You can use the Model Advisor Configuration Editor to specify which sub IDs (one or multiple) to execute.

For reference, the MAB guideline sub ID(s) that are recommended for use by the NA-MAAB and JMAAB modeling standards organizations are:

- NA-MAAB — a, b
- JMAAB — a, b

To customize the blocks and masks to include in the analysis for this check, use the Model Advisor Configuration Editor.

- 1 Open the Model Configuration Editor and search for check ID na_0002.
- 2 Under **Input Parameters**, add or remove blocks and/or masks from the **Blocks for Numerical Operations** table or **Blocks for Logical Operations** table.
- 3 Click **Apply** and save the configuration.

Results and Recommended Actions

Guideline Sub ID	Condition	Recommended Action
na_0002_a: Check input data types of blocks meant for numerical operations	Data type for a numerical operation blocks is Boolean.	Consider having non-Boolean inputs for the numerical operation blocks.
na_0002_b: Check input data types of blocks meant for logical operations	Data type for a logical operation blocks is not Boolean.	Consider having Boolean inputs for the logical operation blocks.

Capabilities and Limitations

- Does not run on library models.

- Allows exclusions of blocks and charts.
- Analyzes content of library-linked blocks. By default, the input parameter **Follow links** is set to on.
- Analyzes content in masked subsystems. By default, the input parameter **Look under masks** is set to graphical.

See Also

- MAB guideline na_0002: Appropriate usage of basic logical and numerical operations
- JMAAB guideline na_0002

Check usage of Sum blocks

Check ID: mathworks.jmaab.jc_0121

Description

Identifies the violations of the guideline found with the usage of the Sum block.

This check requires a Simulink Check license.

Check Parameterization

This check contains sub-checks that correspond to the sub IDs that are specified in the MAB and JMAAB modeling guidelines. You can use the Model Advisor Configuration Editor to specify which sub IDs (one or multiple) to execute.

For reference, the MAB guideline sub ID(s) that are recommended for use by the NA-MAAB and JMAAB modeling standards organizations are:

- NA-MAAB — a
- JMAAB — a, b, c

Results and Recommended Actions

Guideline Sub ID	Condition	Recommended Action
jc_0121_a: Check shape of Sum block	One or more Sum blocks are "round" shaped but are not part of a feedback loop.	Set the shape of Sum block to "rectangular".
jc_0121_b: Check first input of Sum block	One or more Sum blocks don't have '+' sign as first input and are not part of a feedback loop.	Set first input to Sum block to '+' sign.
jc_0121_c: Check number of inputs for Sum block	One or more Sum blocks have more than two inputs.	Set Sum block to have no more than two inputs.

Capabilities and Limitations

- Runs on library models.
- Supports exclusions of blocks or charts.
- Analyzes content of library-linked blocks. By default, the input parameter **Follow links** is set to on.

- Analyzes content in masked subsystems. By default, the input parameter **Look under masks** is set to `graphical`.

See Also

- MAB guideline `jc_0121`: Usage of add and subtraction blocks
- JMAAB guideline `jc_0121`

Check operator order of Product blocks

Check ID: `mathworks.jmaab.jc_0610`

Description

Checks the operator order of product blocks.

This check requires a Simulink Check license.

Check Parameterization

This check contains sub-checks that correspond to the sub IDs that are specified in the MAB and JMAAB modeling guidelines. You can use the Model Advisor Configuration Editor to specify which sub IDs (one or multiple) to execute.

For reference, the MAB guideline sub ID(s) that are recommended for use by the NA-MAAB and JMAAB modeling standards organizations are:

- NA-MAAB — No recommendations
- JMAAB — a, b

Results and Recommended Actions

Guideline Sub ID	Condition	Recommended Action
<code>jc_0610_a</code> : Check first input to Product block	Improper usage of operator order of Product blocks.	Change the first input in Product block to multiplication('*').
<code>jc_0610_b</code> : Check number of inputs to Product blocks	Product blocks have invalid number of inputs.	Consider having not more than two inputs for the Product blocks.

Capabilities and Limitations

- Supports selection of Guideline Sub IDs.
- Runs on library models.
- Analyzes content in masked subsystems. By default, the input parameter **Look under masks** is set to `graphical`.
- Analyzes content of library-linked blocks. By default, the input parameter **Follow links** is set to `on`.
- Allows exclusions of blocks and charts.

Edit-Time Checking

This check is supported by edit-time checking.

See Also

- MAB guideline jc_0610: Operator order for multiplication and division block
- JMAAB guideline jc_0610

Check signs of input signals in product blocks

Check ID: mathworks.jmaab.jc_0611

Check the sign bit for the input signal data types in product blocks.

Description

For product blocks, this check identifies if the same sign bit is used for input signals with fixed-point data types. Sign bits are either **signed** or **unsigned**.

This check requires a Simulink Check license.

Check Parameterization

This check does not include sub-checks because the MAB modeling guideline only provides one sub ID.

For reference, the MAB guideline sub ID(s) that are recommended for use by the NA-MAAB and JMAAB modeling standards organizations are:

- NA-MAAB — a
- JMAAB — a

Results and Recommended Actions

Condition	Recommended Action
Input signal data types have different sign bits.	Update the production block so the sign bit for the input signal data types match.

Capabilities and Limitations

- Runs on library models.
- Analyzes content of library-linked blocks. By default, the input parameter **Follow links** is set to **on**.
- Analyzes content in masked subsystems. By default, the input parameter **Look under masks** is set to **graphical**.
- Allows exclusions of blocks and charts.

See Also

- MAB guideline jc_0611: Input sign for multiplication and division blocks
- JMAAB guideline jc_0611

Check for parentheses in Fcn block expressions

Check ID: `mathworks.jmaab.jc_0622`

Description

Checks the use of parentheses in Fcn block expressions. Parentheses must be used to define the operator precedence.

This check requires a Simulink Check license.

Check Parameterization

This check does not include sub-checks because the MAB modeling guideline only provides one sub ID.

For reference, the MAB guideline sub ID(s) that are recommended for use by the NA-MAAB and JMAAB modeling standards organizations are:

- NA-MAAB — No recommendations
- JMAAB — a

Results and Recommended Actions

Condition	Recommended Action
Improper usage of Fcn block expressions.	Resolve the operator precedence in Fcn block expressions by adding parentheses.

Capabilities and Limitations

- Runs on library models.
- Analyzes content in masked subsystems. By default, the input parameter **Look under masks** is set to `graphical`.
- Analyzes content of library-linked blocks. By default, the input parameter **Follow links** is set to `on`.
- Does not allow exclusions of blocks and charts.

See Also

- MAB guideline `jc_0622`: Usage of Fcn blocks
- JMAAB guideline `jc_0622`

Check icon shape of Logical Operator blocks

Check ID: `mathworks.jmaab.jc_0621`

Description

Checks icon shape of Logical Operator blocks. Icon shape of Logical Operator should be rectangular.

This check requires a Simulink Check license.

Check Parameterization

This check does not include sub-checks because the MAB modeling guideline only provides one sub ID.

For reference, the MAB guideline sub ID(s) that are recommended for use by the NA-MAAB and JMAAB modeling standards organizations are:

- NA-MAAB — a
- JMAAB — a

Results and Recommended Actions

Condition	Recommended Action
Improper setting of icon shape for Logical Operator blocks.	Change the icon shape of Logical Operator blocks to rectangular for readability.

Capabilities and Limitations

- Runs on library models.
- Analyzes content in masked subsystems. By default, the input parameter **Look under masks** is set to `graphical`.
- Analyzes content of library-linked blocks. By default, the input parameter **Follow links** is set to `on`.
- Allows exclusions of blocks and charts.

Edit-Time Checking

This check is supported by edit-time checking.

See Also

- MAB guideline `jc_0621`: Usage of Logical Operator blocks
- JMAAB guideline `jc_0621`

Check usage of Relational Operator blocks

Check ID: `mathworks.maab.jc_0131`

Check the position of Constant blocks used in Relational Operator blocks.

Description

When the relational operator is used to compare a signal to a constant value, the constant input should be the second, lower input.

This check requires a Simulink Check license.

Available with Simulink Check.

Check Parameterization

This check does not include sub-checks because the MAB modeling guideline only provides one sub ID.

For reference, the MAB guideline sub ID(s) that are recommended for use by the NA-MAAB and JMAAB modeling standards organizations are:

- NA-MAAB — a
- JMAAB — a

Results and Recommended Actions

Condition	Recommended Action
Relational Operator blocks have a Constant block on the first, upper input.	Move the Constant block to the second, lower input.

Capabilities and Limitations

- Runs on library models.
- Analyzes content of library linked blocks.
- Analyzes content in masked subsystems that have no workspaces and no dialogs.
- Allows exclusions of blocks and charts.

See Also

- MAB guideline jc_0131: Usage of Relational Operator blocks
- JMAAB guideline jc_0131

Comparing floating point types in Simulink

Check ID: `mathworks.jmaab.jc_0800`

Description

Checks if equivalence comparison is done on floating-point numbers.

This check looks for these blocks:

- Relational Operator
- Compare To Zero
- Compare To Constant

This check requires a Simulink Check license.

Check Parameterization

This check does not include sub-checks because the MAB modeling guideline only provides one sub ID.

For reference, the MAB guideline sub ID(s) that are recommended for use by the NA-MAAB and JMAAB modeling standards organizations are:

- NA-MAAB — a
- JMAAB — a

Results and Recommended Actions

Condition	Recommended Action
One or more instances of equivalence comparison for floating-point numbers is observed.	Make sure to avoid the use of equivalence comparisons for floating-point numbers.

Capabilities and Limitations

- Does not run on library models.
- Analyzes content in masked subsystems. By default, the input parameter **Look under masks** is set to `graphical`.
- Analyzes content of library-linked blocks. By default, the input parameter **Follow links** is set to `on`.
- Allows exclusions of blocks and charts.

See Also

- MAB guideline `jc_0800`: Comparing floating-point types in Simulink
- JMAAB guideline `jc_0800`

Check usage of Lookup Tables

Check ID: `mathworks.jmaab.jc_0626`

Checks for the correct parameter settings in Lookup Tables to prevent unexpected results.

Description

Checks n-D Lookup (1-D,2-D, and n-D) tables for the following parameters to ensure that the values adhere to the corresponding recommendations.

- `InterpMethod`
- `ExtrapMethod`
- `UseLastTableValue`

Checks Dynamic Lookup Tables for the parameter **LookUpMeth** and ensures that the values adhere to the recommendation.

This check requires a Simulink Check license.

Check Parameterization

This check contains sub-checks that correspond to the sub IDs that are specified in the MAB and JMAAB modeling guidelines. You can use the Model Advisor Configuration Editor to specify which sub IDs (one or multiple) to execute.

For reference, the MAB guideline sub ID(s) that are recommended for use by the NA-MAAB and JMAAB modeling standards organizations are:

- NA-MAAB — a, b
- JMAAB — a, b

Results and Recommended Actions

Guideline Sub ID	Condition	Recommended Action
jc_0626_a: Check Lookup Method settings for Dynamic Lookup table blocks	The parameter Lookup Method in the dynamic lookup table is set to other than Interpolation-Use End Values .	Set the parameter to the recommended value Interpolation-Use End Values .
jc_0626_b: Check Lookup Method settings for n-D Lookup table blocks	The parameter Interpolation method in the n-D lookup table is not set to Linear point-slope or Linear Lagrange .	Update the parameter settings with one of the following recommended values <ul style="list-style-type: none"> • Linear point-slope • Linear Lagrange
	The parameter Extrapolation method in the n-D lookup table is set to Cubic spline or Linear .	Set the parameter to the recommended value Clip .
	The parameter Use last table value for inputs at or above last breakpoint in the n-D lookup table is set to off .	Set the parameter to the recommended value on .

Capabilities and Limitations

- Analyzes content of library-linked blocks. By default, the input parameter **Follow links** is set to **on**.
- Analyzes content in masked subsystems. By default, the input parameter **Look under masks** is set to **graphical**.
- Allows exclusions of blocks and charts.

See Also

- MAB guideline jc_0626: Usage of Lookup Table blocks
- JMAAB guideline jc_0626

Check usage of Memory and Unit Delay blocks

Check ID: `mathworks.jmaab.jc_0623`

Checks Memory and Unit Delay blocks with inappropriate sample time.

Description

This check identifies these conditions:

- Memory blocks with a discrete sample time.
- Delay and Unit Delay blocks with a non-discrete sample time.

This check requires a Simulink Check and Stateflow license.

Check Parameterization

This check does not include sub-checks because the MAB modeling guideline only provides one sub ID.

For reference, the MAB guideline sub-ID(s) that are recommended for use by the NA-MAAB and JMAAB modeling standards organizations are:

- NA-MAAB — a
- JMAAB — a

Results and Recommended Actions

Condition	Recommended Action
Memory blocks have sample time that is not continuous.	Use Unit Delay block instead of Memory block.
Unit Delay blocks have non-discrete sample time.	Use Memory block instead of Unit Delay block.

Capabilities and Limitations

- Analyzes content of library-linked blocks. By default, the input parameter **Follow links** is set to on.
- Analyzes content in masked subsystems. By default, the input parameter **Look under masks** is set to graphical.
- Allows exclusions of blocks and charts.

See Also

- MAB guideline jc_0623: Usage of continuous-time Delay blocks and discrete-time Delay blocks
- JMAAB guideline jc_0623

Check for cascaded Unit Delay blocks

Check ID: mathworks.jmaab.jc_0624

Description

Identifies cascaded and tapped pattern of Unit Delay blocks.

This check requires a Simulink Check license.

Check Parameterization

This check contains sub-checks that correspond to the sub IDs that are specified in the MAB and JMAAB modeling guidelines. You can use the Model Advisor Configuration Editor to specify which sub IDs (one or multiple) to execute.

For reference, the MAB guideline sub ID(s) that are recommended for use by the NA-MAAB and JMAAB modeling standards organizations are:

- NA-MAAB — No recommendations
- JMAAB — a, b

Results and Recommended Actions

Guideline Sub ID	Condition	Recommended Action
jc_0624_a: Check Delay blocks usage in tapped pattern	Set of Unit Delay blocks in the model can be replaced by Tapped Delay block.	Consider replacing cascaded Unit Delay blocks with Tapped Delay block.
jc_0624_b: Check usage of cascaded Delay blocks	Set of Delay blocks can be replaced by a single Delay block.	Consider replacing cascaded Delay blocks with a Delay block.

Capabilities and Limitations

- Runs on library models.
- Supports exclusions of blocks or charts.
- Analyzes content of library-linked blocks. By default, the input parameter **Follow links** is set to on.
- Analyzes content in masked subsystems. By default, the input parameter **Look under masks** is set to graphical.

See Also

- MAB guideline jc_0624: Usage of Tapped Delay blocks/Delay blocks
- JMAAB guideline jc_0624

Check usage of Discrete-Time Integrator block

Check ID: mathworks.jmaab.jc_0627

Check usage of Discrete-Time Integrator block.

Description

For Discrete-Time Integrator blocks, check:

- Block parameter **Limit output** is selected.
- Saturation limits is defined using a Simulink.Parameter or MPT.Parameter object whose data type is auto.

This check requires a Simulink Check license.

Check Parameterization

This check contains sub-checks that correspond to the sub IDs that are specified in the MAB and JMAAB modeling guidelines. You can use the Model Advisor Configuration Editor to specify which sub IDs (one or multiple) to execute.

For reference, the MAB guideline sub-ID(s) that are recommended for use by the NA-MAAB and JMAAB modeling standards organizations are:

- NA-MAAB — a
- JMAAB — a, b

Results and Recommended Actions

Guideline Sub ID	Condition	Recommended Action
jc_0627_a: Check Saturation limit settings of Discrete-Time Integrator blocks	Block parameter Limit output is cleared	Select the Discrete-Time Integrator block parameter Limit output .
jc_0627_b: Check Saturation limit settings of Discrete-Time Integrator blocks	Saturation limit is defined by a Parameter object whose data type is not auto	Change the data type for the Parameter object to auto.

Capabilities and Limitations

- Runs on library models.
- Supports exclusions.
- Analyzes content of library-linked blocks. By default, the input parameter **Follow links** is set to on.
- Analyzes content in masked subsystems. By default, the input parameter **Look under masks** is set to graphical.

See Also

- MAB guideline jc_0627: Usage of Discrete-Time Integrator blocks
- JMAAB guideline jc_0627

Check usage of the Saturation blocks

Check ID: mathworks.jmaab.jc_0628

Description

This check identifies:

- The Saturation or Saturation Dynamic blocks with any type casting operations. The check compares that the compiled input and output data types match or checks that **Output data type** is set to **Inherit: Same as input** and **Inherit: Same as second input** for Saturation and Saturation Dynamic blocks respectively.
- If the **upper limit** is set to the maximum value of the output data type (intmax, realmax).
- If the **lower limit** is set to the minimum value of the output data type (intmin, -realmax).

This check requires a Simulink Check license.

Check Parameterization

This check does not include sub-checks because the MAB modeling guideline only provides one sub ID.

For reference, the MAB guideline sub ID(s) that are recommended for use by the NA-MAAB and JMAAB modeling standards organizations are:

- NA-MAAB — a
- JMAAB — a

Results and Recommended Actions

Condition	Recommended Action
The input and output data types are different.	Make sure that the Output data type is set to Inherit: Same as input and Inherit: Same as second input for Saturation and Saturation Dynamic blocks respectively.
The upper limit and lower limit values of the blocks are not set to adhered values.	<ul style="list-style-type: none"> • Set the upper limit of the output data type to less than the maximum value. • Set the lower limit of the output data type to less than the minimum value.

Capabilities and Limitations

- Runs on library models.
- Analyzes content in masked subsystems. By default, the input parameter **Look under masks** is set to `graphical`.
- Analyzes content of library-linked blocks. By default, the input parameter **Follow links** is set to `on`.
- Allows exclusions of blocks and charts.

See Also

- MAB guideline `jc_0628`: Usage of Saturation blocks
- JMAAB guideline `jc_0628`

Check output data type of operation blocks

Check ID: `mathworks.jmaab.jc_0651`

Description

Checks if the model adheres to the guidelines for implementing type conversion.

This check requires a Simulink Check license.

Check Parameterization

This check contains sub-checks that correspond to the sub IDs that are specified in the MAB and JMAAB modeling guidelines. You can use the Model Advisor Configuration Editor to specify which sub IDs (one or multiple) to execute.

For reference, the MAB guideline sub ID(s) that are recommended for use by the NA-MAAB and JMAAB modeling standards organizations are:

- NA-MAAB — No recommendations
- JMAAB — a

Results and Recommended Actions

Condition	Recommended Action
One or more Operation blocks found that explicitly specify output data type.	Instead of explicitly specifying output data type on operation blocks, use Data Type Conversion block when changing the data type of the block output signal.

Capabilities and Limitations

- Runs on library models.
- Analyzes content in masked subsystems. By default, the input parameter **Look under masks** is set to `graphical`.
- Analyzes content of library-linked blocks. By default, the input parameter **Follow links** is set to `on`.
- Allows exclusions of blocks or charts.

See Also

- MAB guideline `jc_0651`: Implementing a type conversion
- JMAAB guideline `jc_0651`

Check position of Inport and Outport blocks

Check ID: `mathworks.jmaab.db_0042`

Description

Check whether the model contains ports with invalid position and configuration.

In models, ports must comply with the following rules:

- Place Inport blocks for a subsystem on the left side of the diagram compared to all other blocks and lines connected to the subsystem. You can move the Inport blocks to the right only to prevent signal crossings.
- Place Inport blocks for a subsystem on the left side of the diagram compared with all other blocks and lines connected to the subsystem. you can move the Inport block to the right only to prevent signal crossings.
- Avoid using duplicate Inport blocks at the subsystem level if possible.
- Do not use duplicate Inport blocks at the root level.

Available with Simulink Check.

Check Parameterization

This check contains sub-checks that correspond to the sub IDs that are specified in the MAB and JMAAB modeling guidelines. You can use the Model Advisor Configuration Editor to specify which sub IDs (one or multiple) to execute.

For reference, the MAB guideline sub ID(s) that are recommended for use by the NA-MAAB and JMAAB modeling standards organizations are:

- NA-MAAB — a, b
- JMAAB — a, b, c

Results and Recommended Actions

Guideline Sub ID	Condition	Recommended Action
db_0042_a: Check positions of Inport blocks	Inport blocks are not placed to left side of the diagram.	Place the Inport blocks to the left side of the diagram. Block placement causing signal overlaps can be excluded.
db_0042_b: Check positions of Output blocks	Output blocks are not placed to right side of the diagram.	Place the Output blocks to the right side of the diagram. Block placement causing signal overlaps can be excluded.
db_0042_c: Check usage of Duplicate Inport blocks	Ports are duplicate Inport blocks.	<ul style="list-style-type: none"> • If the duplicate Inport blocks are in a subsystem, remove them where possible. • If the duplicate Inport blocks are at the root level, remove them.

Capabilities and Limitations

- Runs on library models.
- Allows exclusions of blocks and charts.
- In models with multiple subsystems, this check does not flag if all the Inport and Output blocks are not aligned in a straight line.
- Analyzes content of library-linked blocks. By default, the input parameter **Follow links** is set to on.
- Analyzes content in masked subsystems. By default, the input parameter **Look under masks** is set to graphical.

See Also

- MAB guideline db_0042: Usage of Inport and Output blocks
- JMAAB guideline db_0042

Check display for port blocks

Check ID: mathworks.maab.jc_0081

Check the **Icon display** setting for Inport and Output blocks.

Description

The **Icon display** setting is required.

This check requires a Simulink Check license.

Check Parameterization

This check does not include sub-checks because the MAB modeling guideline only provides one sub ID.

For reference, the MAB guideline sub ID(s) that are recommended for use by the NA-MAAB and JMAAB modeling standards organizations are:

- NA-MAAB — a
- JMAAB — a

Results and Recommended Actions

Condition	Recommended Action
The Icon display setting is not set.	Set the Icon display to Port number for the specified Inport and Outport blocks.

Capabilities and Limitations

- Runs on library models.
- Analyzes content of library linked blocks.
- Analyzes content in masked subsystems that have no workspaces and no dialogs.
- Allows exclusions of blocks and charts.

Edit-Time Checking

This check is supported by edit-time checking.

See Also

- MAB guideline jc_0081: Inport and Outport block icon display
- JMAAB guideline jc_0081

Check scope of From and Goto blocks

Check ID: `mathworks.maab.na_0011`

Check the scope of From and Goto blocks.

Description

You can use global scope for controlling flow. However, From and Goto blocks must use local scope for signal flows.

This check requires a Simulink Check license.

Check Parameterization

This check does not include sub-checks because the MAB modeling guideline only provides one sub ID.

For reference, the MAB guideline sub ID(s) that are recommended for use by the NA-MAAB and JMAAB modeling standards organizations are:

- NA-MAAB — a
- JMAAB — a

Results and Recommended Actions

Condition	Recommended Action
From and Goto blocks are not configured with local scope.	<ul style="list-style-type: none"> • Make sure that the ports are connected. • Change the scope of the specified blocks to local.

Capabilities and Limitations

- Does not run on library models.
- Analyzes content of library linked blocks.
- Analyzes content in all masked subsystems.
- Allows exclusions of blocks and charts.

See Also

- MAB guideline na_0011: Scope of Goto and From blocks
- JMAAB guideline na_0011

Check for usage of Data Store Memory blocks

Check ID: mathworks.jmaab.jc_0161

Description

This check identifies these conditions:

- Data Store Memory blocks must be used only if the block data is used for code generation or execution.
- Data Store Memory blocks must be defined at smallest scope level.

For example, consider a model that contains subsystem **A**, which contains two subsystems, **B** and **C**. If you add a Data Store Read block to subsystem B and a Data Store Write block to subsystem C, you must add a Data Store Memory block to subsystem A, which is the smallest common scope for both blocks, and not at the model level.

This check requires a Simulink Check license.

Check Parameterization

This check contains sub-checks that correspond to the sub IDs that are specified in the MAB and JMAAB modeling guidelines. You can use the Model Advisor Configuration Editor to specify which sub IDs (one or multiple) to execute.

For reference, the MAB guideline sub ID(s) that are recommended for use by the NA-MAAB and JMAAB modeling standards organizations are:

- NA-MAAB — No recommendations

- JMAAB — a, b

Results and Recommended Actions

Guideline Sub ID	Condition	Recommended Action
jc_0161_a: Check Data Store Memory block definition	One or more Data Store Memory blocks in the model are not defined at smallest scope level.	Consider moving the Data Store Memory blocks to smallest scope level.
jc_0161_b: Check usage of data in Data Store Memory block	Data in some Data Store Memory blocks in the model are not used for execution and code generation.	Use Data Store Memory blocks only if its data is used for code generation or execution.

Capabilities and Limitations

- Runs on library models.
- Analyzes content of library-linked blocks. By default, the input parameter **Follow links** is set to on.
- Analyzes content in masked subsystems. By default, the input parameter **Look under masks** is set to graphical.
- Allows exclusions.

See Also

- MAB guideline jc_0161: Definition of Data Store Memory blocks
- JMAAB guideline jc_0161

Check usage of Switch blocks

Check ID: mathworks.maab.jc_0141

Check usage of Switch blocks.

Description

Verifies that the Switch block control input (the second input) is a Boolean value and that the block is configured to pass the first input when the control input is nonzero.

This check requires a Simulink Check license.

Check Parameterization

This check does not include sub-checks because the MAB modeling guideline only provides one sub ID.

For reference, the MAB guideline sub ID(s) that are recommended for use by the NA-MAAB and JMAAB modeling standards organizations are:

- NA-MAAB — a
- JMAAB — a

Results and Recommended Actions

Condition	Recommended Action
The Switch block control input (second input) is not a Boolean value.	Change the data type of the control input to Boolean.
The Switch block is not configured to pass the first input when the control input is nonzero.	Set the block parameter Criteria for passing first input to <code>u2 ~=0</code> .

Capabilities and Limitations

- Does not run on library models.
- Analyzes content of library linked blocks.
- Analyzes content in masked subsystems that have no workspaces and no dialogs.
- Allows exclusions of blocks and charts.

Edit-Time Checking

This check is supported by edit-time checking. However, edit-time checking for this check does not verify that the data type of the control input is a Boolean value.

See Also

- MAB guideline `jc_0141`: Usage of the Switch blocks
- JMAAB guideline `jc_0141`

Check input and output datatype for Switch blocks

Check ID: `mathworks.jmaab.jc_0650`

Check whether the input and output data types for data ports are the same for switching function blocks.

Description

For Switch, Multiport Switch, and Index Vector blocks, check that the input and output data ports have the same data type.

This check requires a Simulink Check license.

Check Parameterization

This check does not include sub-checks because the MAB modeling guideline only provides one sub ID.

For reference, the MAB guideline sub ID(s) that are recommended for use by the NA-MAAB and JMAAB modeling standards organizations are:

- NA-MAAB — a
- JMAAB — a

Results and Recommended Actions

Condition	Recommended Action
Input and output data ports have different data types.	Change the input or output data port so the data type is the same for both.

Capabilities and Limitations

- Does not run on library models.
- Allows exclusions.
- Analyzes content of library-linked blocks. By default, the input parameter **Follow links** is set to on.
- Analyzes content in masked subsystems. By default, the input parameter **Look under masks** is set to graphical.

See Also

- MAB guideline jc_0650: Block input/output data type with switching function
- JMAAB guideline jc_0650

Check settings for data ports in Multiport Switch blocks

Check ID: mathworks.jmaab.jc_0630

Description

Identifies the Multiport Switch blocks that violate data port settings.

This check requires a Simulink Check license.

Check Parameterization

This check contains sub-checks that correspond to the sub IDs that are specified in the MAB and JMAAB modeling guidelines. You can use the Model Advisor Configuration Editor to specify which sub IDs (one or multiple) to execute.

For reference, the MAB guideline sub-ID(s) that are recommended for use by the NA-MAAB and JMAAB modeling standards organizations are:

- NA-MAAB — a, c
- JMAAB — a, b, c

Results and Recommended Actions

Guideline Sub ID	Condition	Recommended Action
jc_0630_a: Check number of inputs to Multiport Switch block	Switch block or a Multiport Switch block in the model have fewer than two data ports.	Make sure that the Switch blocks or a Multiport Switch block in the model have data ports that are greater than two.

Guideline Sub ID	Condition	Recommended Action
jc_0630_b: Check input type to Multiport Switch block	Data type of control port on the Multiport Switch is not set to unsigned integer .	Change the data type of the control port on the Multiport Switch to unsigned integer .
jc_0630_c: Check data port order of Multiport Switch block	Multiport Switch blocks have incorrect settings.	Set the Multiport Switch block setting Data port for default case to Additional data port , and Diagnostics for default case to None .

Capabilities and Limitations

- Runs on library models.
- Analyzes content in masked subsystems. By default, the input parameter **Look under masks** is set to `graphical`.
- Analyzes content of library-linked blocks. By default, the input parameter **Follow links** is set to `on`.
- Analyzes content of library linked blocks.

Edit-Time Checking

This check is supported by edit-time checking. However, edit-time checking for this check does not verify compliance with jc_0630 Sub ID b.

See Also

- MAB guideline jc_0630: Usage of Multiport Switch blocks
- JMAAB guideline jc_0630

Check for missing ports in Variant Subsystems

Check ID: `mathworks.jmaab.na_0020`

Description

Checks for number of inputs/outputs to a Variant Subsystem.

This check requires a Simulink Check license.

Check Parameterization

You can configure the check to allow the Variant Subsystem to have different number of outputs than the Choice Subsystems by selecting the input parameter **Check for parameter 'Specify output when unconnected' on Variant Subsystem outputs** in Model Advisor Configuration Editor.

Note: The outputs of Variant Subsystem must have the input parameter **specify output when unconnected** selected.

Results and Recommended Actions

Condition	Recommended Action
One or more Variant Subsystems have different number of inputs/outputs on their subordinate subsystems.	Consider having same number of inputs/outputs on Variant Subsystems and their subordinate subsystems.

Capabilities and Limitations

- Runs on library models.
- Analyzes content of library-linked blocks. By default, the input parameter **Follow links** is set to `on`.
- Analyzes content in masked subsystems. By default, the input parameter **Look under masks** is set to `graphical`.
- Allows exclusions of blocks or charts.

See Also

- MAB guideline `na_0020`: Number of inputs to variant subsystems
- JMAAB guideline `na_0020`

Check use of default variants

Check ID: `mathworks.maab.na_0036`

Check use of default variants in a variant subsystem.

Description

Checks Variant Subsystem, Variant Source, Variant Sink, and variant Model blocks in a variant subsystem for a default variant.

This check requires a Simulink Check license.

Check Parameterization

To set the active variant as the default variant, use the Model Advisor Configuration Editor.

- 1 Open the Model Configuration Editor and search for check ID `na_0036`.
- 2 Under **Input Parameters**, select **Check use of 'Allow zero active variant controls' option**.
- 3 For each Output ports of the variant subsystem, set the following block parameters:
 - Select **Specify output when source is unconnected**
 - Enter a **Constant value**
 - Set the output block parameter **Data type** to `Inherit: auto`
- 4 Click **Apply** and save the configuration.

Results and Recommended Actions

Condition	Recommended Action
The subsystem does not contain a default variant.	Set block parameter Variant control to (default).
Block parameter Variant Control is set to Variant.	To set the active variant as the default variant. <ol style="list-style-type: none"> 1 Variant Control is set to Variant 2 Open the variant block and select block parameter Allow zero active variant controls. 3 For output ports of the variant subsystem: <ul style="list-style-type: none"> • Set Specify output when source is unconnected to true • Provide a valid value in Constant value • Set Output Data type to Inherit: auto

Capabilities and Limitations

- Runs on library models.
- Analyzes content of library linked blocks.
- Analyzes content in all masked subsystems.
- Allows exclusions of blocks and charts
- Allows syntax highlighting

See Also

- MAB guideline na_0036: Default variant
- JMAAB guideline na_0036

Check use of single variable variant conditionals

Check ID: mathworks.maab.na_0037

Check use of single variables in conditional expressions

Description

Checks Variant Subsystem, Variant Source, Variant Sink, and variant Model blocks for conditional expressions that have more than one variable.

Note Guideline na_0037 states that default variants are an exception to the recommendation of writing variant conditional expressions using multiple variable with a single condition. You can define a default by:

- Selecting (default) in the block parameter **Variant control**.

- Specifying an exhaustive condition.

This check cannot differentiate between defaults that are defined using an exhaustive condition.

This check requires a Simulink Check license.

Check Parameterization

This check does not include sub-checks because the MAB modeling guideline only provides one sub ID.

For reference, the MAB guideline sub ID(s) that are recommended for use by the NA-MAAB and JMAAB modeling standards organizations are:

- NA-MAAB — a
- JMAAB — a

Results and Recommended Actions

Condition	Recommended Action
Conditional expression contains more than one condition variable.	Consider updating your model so that only one variant is used.
Conditional expression variable or <code>Simulink.Variant</code> object is not found in the workspace.	Consider defining a variant in your model.
Check does not execute on my variant subsystem.	Clear Override variant conditions and use following variant for the variant subsystem.

Capabilities and Limitations

- Does not check default variants.
- Does not run on the Variant subsystem when you select **Override variant conditions and use following variant**
- Runs on library models.
- Analyzes content of library linked blocks.
- Analyzes content in all masked subsystems.

See Also

- MAB guideline na_0037: Use of single variable for variant condition
- JMAAB guideline na_0037

Check for names of Stateflow ports and associated signals

Check ID: `mathworks.maab.db_0123`

Check for mismatches between Stateflow ports and associated signal names.

Description

The name of Stateflow input and output should be the same as the corresponding signal.

Available with Simulink Check.

This check requires a Stateflow license.

Check Parameterization

This Model Advisor check is not applicable for JMAAB modeling guidelines.

This check does not include sub-checks

For reference, the MAB guideline sub ID(s) that are recommended for use by the NA-MAAB and JMAAB modeling standards organizations are:

- NA-MAAB — a
- JMAAB — Not supported

Results and Recommended Actions

Condition	Recommended Action
Signals have names that differ from the corresponding Stateflow ports.	Change the names of either the signals or the Stateflow ports.

Capabilities and Limitations

- Does not flag name mismatches for reusable Stateflow charts in libraries.
- Does not flag Stateflow ports when the corresponding signal does not have a label.
- Does not run on library models.
- Does not analyze content of library linked blocks.
- Analyzes content in all masked subsystems.
- Allows exclusions of blocks and charts. Exclusions will not work for library linked charts.

See Also

- MAB guideline db_0123: Stateflow port names

Check definition of Stateflow data

Check ID: mathworks.jmaab.db_0125

Description

Identifies the Scope value set on Stateflow data defined at machine level.

This check requires a Simulink Check and Stateflow licenses.

Check Parameterization

This check contains sub-checks that correspond to the sub IDs that are specified in the MAB and JMAAB modeling guidelines. You can use the Model Advisor Configuration Editor to specify which sub IDs (one or multiple) to execute.

For reference, the MAB guideline sub ID(s) that are recommended for use by the NA-MAAB and JMAAB modeling standards organizations are:

- NA-MAAB — a, b, c, d
- JMAAB — a, b, c, d

Results and Recommended Actions

Guideline Sub ID	Condition	Recommended Action
db_0125_a: Check for Stateflow data with Scope set to Local at machine level	Stateflow data with Local Scope defined at machine level	Consider not defining data with Local Scope at machine level.
db_0125_b: Check for Stateflow data with Scope set to Constant at machine level	Stateflow data with Constant Scope defined machine level	Consider not defining data with Constant Scope at machine level.
db_0125_c: Check for Stateflow data with Scope set to Parameter at machine level	Stateflow data with Parameter Scope defined at machine level	Consider not defining data with Parameter Scope at machine level.
db_0125_d: Check for duplicate Stateflow Data names with Scope set to Local on a Stateflow block hierarchy	Stateflow data defined in a chart have multiple definition on the same Stateflow block hierarchy	Consider using unique Stateflow data names in the hierarchy.

Capabilities and Limitations

- Runs on library models.
- Analyzes content of library linked blocks.
- Analyzes content in masked subsystems. By default, the input parameter **Look under masks** is set to `graphical`.
- Analyzes content of library-linked blocks. By default, the input parameter **Follow links** is set to `on`.
- Allows exclusions.

See Also

- MAB guideline db_0125: Stateflow local data
- JMAAB guideline db_0125

Check definition of Stateflow events

Check ID: `mathworks.jmaab.db_0126`

Description

Stateflow events should be defined at the smallest possible scope of usage.

This check requires a Simulink Check license.

Check Parameterization

This check does not include sub-checks because the MAB modeling guideline only provides one sub ID.

For reference, the MAB guideline sub ID(s) that are recommended for use by the NA-MAAB and JMAAB modeling standards organizations are:

- NA-MAAB — a
- JMAAB — a

Results and Recommended Actions

Condition	Recommended Action
One or more Stateflow events used in a chart are not defined at the same level in the hierarchy.	Consider defining the Stateflow events at the smallest scope of usage.

Capabilities and Limitations

- Runs on library models.
- Analyzes content of library-linked blocks. By default, the input parameter **Follow links** is set to `on`.
- Analyzes content in masked subsystems. By default, the input parameter **Look under masks** is set to `graphical`.
- Support exclusions at chart level.

See Also

- MAB guideline db_0126: Defining Stateflow events
- JMAAB guideline db_0126

Check usable number for first index

Check ID: `mathworks.jmaab.jc_0701`

Description

Identifies if the first index of arrays in Stateflow is not set to either **0** or **1**.

This check requires a Simulink Check and Stateflow license.

Check Parameterization

This check contains sub-checks that correspond to the sub IDs that are specified in the MAB and JMAAB modeling guidelines. You can use the Model Advisor Configuration Editor to specify which sub IDs (one or multiple) to execute.

For reference, the MAB guideline sub ID(s) that are recommended for use by the NA-MAAB and JMAAB modeling standards organizations are:

- NA-MAAB — a1/a2
- JMAAB — a1/a2

Note Sub-check `jc_0701_a1` is selected by default.

Results and Recommended Actions

Guideline Sub ID	Condition	Recommended Action
jc_0701_a1: Check if first index of Stateflow data is set to 0	One or more Stateflow data have first index set to a value other than 0.	Make Sure to set the first index value to 0.
jc_0701_a2: Check if first index of Stateflow data is set to 1	One or more Stateflow data have first index set to a value other than 1.	Make Sure to set the first index value to 1.

Capabilities and Limitations

- Supports selection of Guideline Sub IDs.
- Runs on library models.
- Analyzes content of library-linked blocks. By default, the input parameter **Follow links** is set to on.
- Analyzes content in masked subsystems. By default, the input parameter **Look under masks** is set to graphical.
- Allows exclusions of charts.

See Also

- MAB guideline jc_0701: Usable number for first index
- JMAAB guideline jc_0701

Check execution timing for default transition path

Check ID: mathworks.jmaab.jc_0712

Description

Identifies the state of the parameter **Execute (enter) Chart At Initialization**. This parameter requires many other considerations to produce consistent results.

This check requires a Simulink Check license.

Check Parameterization

This check does not include sub-checks because the MAB modeling guideline only provides one sub ID.

For reference, the MAB guideline sub ID(s) that are recommended for use by the NA-MAAB and JMAAB modeling standards organizations are:

- NA-MAAB — a
- JMAAB — a

Results and Recommended Actions

Condition	Recommended Action
The parameter Execute (enter) Chart At Initialization is selected.	Make sure to clear the selection.

Capabilities and Limitations

- Runs on library models.
- Analyzes content of library-linked blocks. By default, the input parameter **Follow links** is set to on.
- Analyzes content in masked subsystems. By default, the input parameter **Look under masks** is set to graphical.
- Allows exclusions of blocks and charts.

See Also

- MAB guideline jc_0712: Execution timing for default transition path
- JMAAB guideline jc_0712

Check scope of data in parallel states

Check ID: mathworks.jmaab.jc_0722

Description

The scope of local variables must be set as restricted to one parallel state unless that same data is required by two or more parallel states.

This check requires a Simulink Check and Stateflow license.

Check Parameterization

This check does not include sub-checks because the MAB modeling guideline only provides one sub ID.

For reference, the MAB guideline sub ID(s) that are recommended for use by the NA-MAAB and JMAAB modeling standards organizations are:

- NA-MAAB — a
- JMAAB — a

Results and Recommended Actions

Condition	Recommended Action
The scope of Stateflow data (local variables) is not restricted to a parallel state when the same data is not required by multiple parallel states.	Restrict the scope of Stateflow data (local variables) to only one parallel state.

Capabilities and Limitations

- Runs on library models.
- Analyzes content of library-linked blocks. By default, the input parameter **Follow links** is set to on.
- Analyzes content in masked subsystems. By default, the input parameter **Look under masks** is set to graphical.
- Allows exclusions of charts.

See Also

- MAB guideline jc_0722: Local data definition in parallel states
- JMAAB guideline jc_0722

Check for unconnected objects in Stateflow Charts

Check ID: mathworks.jmaab.jc_0797

Description

Checks for unconnected objects in Stateflow Charts and Identifies dangling transitions and unconnected Stateflow States and Junctions in Stateflow Charts.

This check requires a Simulink Check and Stateflow license.

Check Parameterization

This check contains sub-checks that correspond to the sub IDs that are specified in the MAB and JMAAB modeling guidelines. You can use the Model Advisor Configuration Editor to specify which sub IDs (one or multiple) to execute.

For reference, the MAB guideline sub-ID(s) that are recommended for use by the NA-MAAB and JMAAB modeling standards organizations are:

- NA-MAAB — a, b
- JMAAB — a, b

Results and Recommended Actions

Guideline Sub ID	Condition	Recommended Action
jc_0797_a: Check unconnected transitions	One or more transitions in the chart are unconnected.	Consider remodeling to connect the dangling transitions.
jc_0797_b: Check unconnected states and junctions	One or more states and junctions are unconnected.	Consider remodeling to connect the unconnected States and Junctions.

Capabilities and Limitations

- Runs on library models.
- Analyzes content in masked subsystems. By default, the input parameter **Look under masks** is set to graphical.

- Analyzes content of library-linked blocks. By default, the input parameter **Follow links** is set to on.
- Allows exclusions of blocks and charts.

See Also

- MAB guideline jc_0797: Unconnected transitions / states / connective junctions
- JMAAB guideline jc_0797

Check for state in state machines

Check ID: mathworks.jmaab.db_0137

Description

Identifies states with OR(exclusive) type decomposition with only one sub-state.

This check requires a Simulink Check and Stateflow license.

Check Parameterization

This check does not include sub-checks because the MAB modeling guideline only provides one sub ID.

For reference, the MAB guideline sub ID(s) that are recommended for use by the NA-MAAB and JMAAB modeling standards organizations are:

- NA-MAAB — a
- JMAAB — a

Results and Recommended Actions

Condition	Recommended Action
One or more states with OR(exclusive) type decomposition have only one sub-state in the model.	Remove the sub-state or add another state.

Capabilities and Limitations

- Runs on library models.
- Allows exclusions of blocks and charts.
- Analyzes content of library-linked blocks. By default, the input parameter **Follow links** is set to on.
- Analyzes content in masked subsystems. By default, the input parameter **Look under masks** is set to graphical.

Edit-Time Checking

This check is supported by edit-time checking.

See Also

- MAB guideline db_0137: States in state machines
- JMAAB guideline db_0137

Check usage of parallel states

Check ID: mathworks.jmaab.jc_0721

Description

Parallel states must not be used for the purpose of grouping that is the substates of parallel states must not be parallel states.

This check requires a Simulink Check and Stateflow license.

Check Parameterization

This check does not include sub-checks because the MAB modeling guideline only provides one sub ID.

For reference, the MAB guideline sub ID(s) that are recommended for use by the NA-MAAB and JMAAB modeling standards organizations are:

- NA-MAAB — a
- JMAAB — a

Results and Recommended Actions

Condition	Recommended Action
Parallel states are only for grouping.	Substates of the parallel states must not be parallel (do not use for grouping).

Capabilities and Limitations

- Runs on library models.
- Analyzes content of library-linked blocks. By default, the input parameter **Follow links** is set to on.
- Analyzes content in masked subsystems. By default, the input parameter **Look under masks** is set to graphical.
- Allows exclusions of blocks and charts.

Edit-Time Checking

This check is supported by edit-time checking.

See Also

- MAB guideline jc_0721: Usage of parallel states
- JMAAB guideline jc_0721

Check for Stateflow transition appearance

Check ID: mathworks.jmaab.db_0129

Description

Checks and reports Stateflow transitions that are visually overlapping other Stateflow objects.

This check requires a Simulink Check and Stateflow license.

Check Parameterization

This check contains sub-checks that correspond to the sub IDs that are specified in the MAB and JMAAB modeling guidelines. You can use the Model Advisor Configuration Editor to specify which sub IDs (one or multiple) to execute.

For reference, the MAB guideline sub ID(s) that are recommended for use by the NA-MAAB and JMAAB modeling standards organizations are:

- NA-MAAB — a, b, c, d, e
- JMAAB — a, b, c, d, e

Self transitions can be allowed to flag with this check by selecting the parameter **Check for Self Transitions** from the Model Advisor Configuration Editor.

- 1 Open the Model Configuration Editor and search for check ID db_0129.
- 2 Select the parameter **Check for Self Transitions**.
- 3 Click **Apply** and save the configuration.

Results and Recommended Actions

Guideline Sub IDs	Condition	Recommended Action
db_0129_a: Check for transition lines that cross over one another	Transition lines cross over one another.	Consider remodeling so that transition lines do not cross over one another.
db_0129_b: Check for transition lines that overlap one another	Transition lines overlap with other transition lines.	Consider remodeling so that transition lines do not overlap with other transition lines.
db_0129_c: Check transition lines that cross over other Stateflow objects	Transition lines cross over other Stateflow objects.	Consider remodeling so that transitions do not cross over other Stateflow objects.
db_0129_d: Check orientation of transition lines	Transitions are not vertical or horizontal and/or diagonal for flow chart loops.	Consider remodeling using either horizontal or vertical transitions only and diagonal transitions for flow chart loops.
db_0129_e: Check for unnecessary connective junctions	One or more charts use unnecessary connective junctions.	Consider avoiding unnecessary connective junctions.

Capabilities and Limitations

- This check does not flag the transitions that are overlapped by the state labels exceeding the boundary of the state.
- Runs on library models.
- Analyzes content of library-linked blocks. By default, the input parameter **Follow links** is set to on.
- Analyzes content in masked subsystems. By default, the input parameter **Look under masks** is set to graphical.
- Allows exclusions of blocks and charts.

See Also

- MAB guideline db_0129: Stateflow transition appearance
- JMAAB guideline db_0129

Check default transition placement in Stateflow charts

Check ID: mathworks.jmaab.jc_0531

Description

Checks the default transition placement in Stateflow charts.

This check requires a Simulink Check and Stateflow license.

Results and Recommended Actions

Guideline Sub-ID	Condition	Recommended Action
jc_0531_a: Check for default transitions at every level	One or more states or junctions in the model do not have any default transitions at their level.	Make sure that there is at least one default transition at every level.
jc_0531_b: Check for parallel states having default transitions	One or more parallel states in the model have default transitions.	Default transitions must not be used for parallel states.
jc_0531_c: Check for multiple default transitions at same level	One or more states in the model have multiple default transitions at the same level.	Make sure that multiple default transitions are not included in the same level.
jc_0531_d: Check for default transitions not connected to top of state or junction	One or more default transitions in the model are not connected to the upper part of the state or junction.	Default transitions must be directly connected vertically to the upper part of the state or junction.
jc_0531_e: Check for default transitions not positioned at top left within the same level	One or more destination states or junctions of default transitions in the model are not on the top left.	The default transitions must be positioned on the top left within the same level.
jc_0531_f: Check for default transitions exceeding state boundaries	One or more default transitions in the model exceed state boundaries.	The default transition must not exceed state boundaries.

Guideline Sub-ID	Condition	Recommended Action
jc_0531_g: Check for unconditional default transitions.	One or more default transitions in the model do not have a single non-guard path to any state at the level in the chart.	Set No unconditional default transitions parameter to recommended value 'error'.

Capabilities and Limitations

- Runs on library models.
- Allows exclusions of blocks and charts.
- Analyzes content of library-linked blocks. By default, the input parameter **Follow links** is set to on.
- Analyzes content in masked subsystems. By default, the input parameter **Look under masks** is set to graphical.

See Also

- MAB guideline jc_0531: Default transition
- JMAAB guideline jc_0531
- “Syntax for States and Transitions” (Stateflow)

Check usage of transitions to external states

Check ID: mathworks.jmaab.jc_0723

Description

Identifies transitions in Stateflow Charts that end on external child states.

This check requires a Simulink Check license.

Check Parameterization

This check does not include sub-checks because the MAB modeling guideline only provides one sub ID.

For reference, the MAB guideline sub ID(s) that are recommended for use by the NA-MAAB and JMAAB modeling standards organizations are:

- NA-MAAB — No recommendations
- JMAAB — a

Results and Recommended Actions

Condition	Recommended Action
One or more transitions end on external child states.	Consider remodeling to avoid use of transitions ending on external child states.

Capabilities and Limitations

- Runs on library models.

- Analyzes content of library-linked blocks. By default, the input parameter **Follow links** is set to `on`.
- Analyzes content in masked subsystems. By default, the input parameter **Look under masks** is set to `graphical`.
- Supports exclusions of charts.

Edit-Time Checking

This check is supported by edit-time checking.

See Also

- MAB guideline `jc_0723`: Prohibited direct transition from external state to child state
- JMAAB guideline `jc_0723`

Check for unexpected backtracking in state transitions

Check ID: `mathworks.jmaab.jc_0751`

Description

Checks unexpected backtracking in state transitions. Configuration parameter for **Unexpected backtracking (SFUnexpectedBacktrackingDiag)** must be set to `error`.

Note

- This check looks for backtracking issues.
 - This check does not look for connective junctions used for separating the complex conditions.
 - Splitting complex conditions does not always result in backtracking issues.
-

This check requires a Simulink Check and Stateflow license.

Check Parameterization

This check does not include sub-checks because the MAB modeling guideline only provides one sub ID.

For reference, the MAB guideline sub ID(s) that are recommended for use by the NA-MAAB and JMAAB modeling standards organizations are:

- NA-MAAB — a
- JMAAB — a

Results and Recommended Actions

Condition	Recommended Action
Backtracking is undetected during the state transition.	Set configuration parameter for Unexpected backtracking (SFUnexpectedBacktrackingDiag) to <code>error</code> .

Capabilities and Limitations

- Runs on library models.
- Does not analyze content of library-linked blocks.
- Does not analyze content in masked subsystems.
- Does not allow exclusions of blocks and charts.

See Also

- MAB guideline jc_0751: Backtracking prevention in state transition
- JMAAB guideline jc_0751

Check starting point of internal transition in Stateflow

Check ID: `mathworks.jmaab.jc_0760`

Description

Identifies if in all state charts and flow charts, internal transitions from state boundaries must start from the left edge of the state.

This check requires a Simulink Check and Stateflow license.

Check Parameterization

This check does not include sub-checks because the MAB modeling guideline only provides one sub ID.

For reference, the MAB guideline sub ID(s) that are recommended for use by the NA-MAAB and JMAAB modeling standards organizations are:

- NA-MAAB — a
- JMAAB — a

Results and Recommended Actions

Condition	Recommended Action
Starting point of one or more internal transitions from state boundaries of state charts or flow charts does not start from the left edge of the state.	Make sure that in all the state charts and flow charts, internal transitions from state boundaries must start from the left edge of the state.

Capabilities and Limitations

- Runs on library models.
- Analyzes content in masked subsystems. By default, the input parameter **Look under masks** is set to `graphical`.
- Analyzes content of library-linked blocks. By default, the input parameter **Follow links** is set to `on`.
- Allows exclusions of blocks and charts.

Edit-Time Checking

This check is supported by edit-time checking.

See Also

- MAB guideline jc_0760: Starting point of internal transition
- JMAAB guideline jc_0760

Check usage of internal transitions in Stateflow states

Check ID: mathworks.jmaab.jc_0763

Description

Identifies the Stateflow states that uses multiple internal transitions.

This check requires a Simulink Check and Stateflow license.

Check Parameterization

This check contains sub-checks that correspond to the sub IDs that are specified in the MAB and JMAAB modeling guidelines. You can use the Model Advisor Configuration Editor to specify which sub IDs (one or multiple) to execute.

For reference, the MAB guideline sub-ID(s) that are recommended for use by the NA-MAAB and JMAAB modeling standards organizations are:

- NA-MAAB — a1/a2
- JMAAB — a1/a2

Note Sub-check jc_0763_a1 is selected by default.

Results and Recommended Actions

Guideline Sub ID	Condition	Recommended Action
jc_0763_a1: Check for multiple internal transitions	One or more Stateflow states have multiple internal transitions.	Remodel to avoid the use of multiple internal transitions.
jc_0763_a2: Check order of multiple internal transitions	One or more Stateflow states have multiple internal transitions not placed in order of execution.	Consider placing internal transitions from top to bottom in the order of execution.

Capabilities and Limitations

- Runs on library models.
- Analyzes content of library-linked blocks. By default, the input parameter **Follow links** is set to on.
- Analyzes content in masked subsystems. By default, the input parameter **Look under masks** is set to graphical.

- Allows exclusions of blocks and charts.

See Also

- MAB guideline jc_0763: Usage of multiple internal transitions
- JMAAB guideline jc_0763

Check prohibited combination of state action and flow chart

Check ID: `mathworks.jmaab.jc_0762`

Description

Checks if state actions within states and flow chart statements are used in combination.

This check requires a Simulink Check and Stateflow license.

Check Parameterization

This check does not include sub-checks because the MAB modeling guideline only provides one sub ID.

For reference, the MAB guideline sub ID(s) that are recommended for use by the NA-MAAB and JMAAB modeling standards organizations are:

- NA-MAAB — a
- JMAAB — a

Results and Recommended Actions

Condition	Recommended Action
Stateflow states combine state action and flow chart.	Separate state actions and flow chart statements into different states.

Capabilities and Limitations

- Runs on library models.
- Analyzes content in masked subsystems. By default, the input parameter **Look under masks** is set to `graphical`.
- Analyzes content of library-linked blocks. By default, the input parameter **Follow links** is set to `on`.
- Allows exclusions of blocks and charts.

Edit-Time Checking

This check is supported by edit-time checking.

See Also

- MAB guideline jc_0762: Prohibition of state action and flow chart combination
- JMAAB guideline jc_0762

Check transitions in Stateflow Flow charts

Check ID: `mathworks.jmaab.db_0132`

Description

Check transition orientations in flow charts.

The following rules apply to transitions in flow charts:

- Draw transition conditions horizontally.
- Draw transitions with a condition action vertically.
- Junctions in flow charts should have a default exit transition.
- Transitions in flow charts should not combine condition and action.

This check requires a Simulink Check and Stateflow license.

Check Parameterization

This check contains sub-checks that correspond to the sub IDs that are specified in the MAB and JMAAB modeling guidelines. You can use the Model Advisor Configuration Editor to specify which sub IDs (one or multiple) to execute.

For reference, the MAB guideline sub-ID(s) that are recommended for use by the NA-MAAB and JMAAB modeling standards organizations are:

- NA-MAAB — a, b
- JMAAB — a, b

Results and Recommended Actions

Guideline Sub ID	Condition	Recommended Action
db_0132_a: Check usage of transition actions in Stateflow Flow charts	One or more transition actions are used in flow charts in the model.	Do not use transition actions in flow charts.
db_0132_b: Check for transition orientation in Flow charts	One or more transitions with condition expressions are not drawn horizontally.	Make sure to draw transitions with condition expressions horizontally.
	One or more transitions with condition actions are not drawn vertically.	Make sure to draw transitions with condition actions vertically.
	One or more transitions have both condition expressions and condition actions.	Do not use condition expressions and condition actions in the same transition.

Capabilities and Limitations

- The check only flags flow charts containing loop constructs if the transition violates the orientation rule.
- Runs on library models.

- Analyzes content in masked subsystems. By default, the input parameter **Look under masks** is set to `graphical`.
- Analyzes content of library-linked blocks. By default, the input parameter **Follow links** is set to `on`.
- Allows exclusions of blocks and charts.

Edit-Time Checking

This check is supported by edit-time checking.

See Also

- MAB guideline `db_0132`: Transitions in flow charts
- JMAAB guideline `db_0132`

Check usage of unconditional transitions in flow charts

Check ID: `mathworks.jmaab.jc_0773`

Description

Identifies unconditional transitions in flow charts.

This check requires a Simulink Check license.

Check Parameterization

This check contains sub-checks that correspond to the sub IDs that are specified in the MAB and JMAAB modeling guidelines. You can use the Model Advisor Configuration Editor to specify which sub IDs (one or multiple) to execute.

For reference, the MAB guideline sub ID(s) that are recommended for use by the NA-MAAB and JMAAB modeling standards organizations are:

- NA-MAAB — a, b
- JMAAB — a, b

Results and Recommended Actions

Guideline Sub ID	Condition	Recommended Action
<code>jc_0773_a</code> : Check for the presence of unconditional transition originating from a Stateflow junction with conditional transition	One or more Stateflow junctions do not have unconditional transitions originating from them.	Consider adding an unconditional transition to the junction.
<code>jc_0773_b</code> : Check execution order of unconditional transitions	One or more Stateflow junctions have unconditional transitions that are not executed last.	Consider setting the order of execution of the unconditional transition from the junction to the highest value.

Capabilities and Limitations

- Runs on library models.
- Supports exclusions of blocks or charts.
- Analyzes content of library-linked blocks. By default, the input parameter **Follow links** is set to `on`.
- Analyzes content in masked subsystems. By default, the input parameter **Look under masks** is set to `graphical`.

See Also

- MAB guideline `jc_0773`: Unconditional transition of a flow chart
- JMAAB guideline `jc_0773`

Check terminal junctions in Stateflow

Check ID: `mathworks.jmaab.jc_0775`

Description

Identifies the usage of terminal junctions in flow charts.

This check requires a Simulink Check license.

Check Parameterization

This check contains sub-checks that correspond to the sub IDs that are specified in the MAB and JMAAB modeling guidelines. You can use the Model Advisor Configuration Editor to specify which sub IDs (one or multiple) to execute.

For reference, the MAB guideline sub-ID(s) that are recommended for use by the NA-MAAB and JMAAB modeling standards organizations are:

- NA-MAAB — `a1/a2`
- JMAAB — `a1/a2`

Note Sub-check `jc_0775_a1` is selected by default.

Results and Recommended Actions

Guideline Sub ID	Condition	Recommended Action
<code>jc_0775_a1</code> : Check for usage of only one terminal junction	One or more Stateflow containers have more than one terminal junction.	Consider using only one terminal junction.
<code>jc_0775_a2</code> : Check for usage of one terminal junction with one unconditional transition as input	One or more Stateflow containers have either more than one terminal junction or a terminal junction without one unconditional transition.	Consider using only one terminal junction with one unconditional transition as input.

Capabilities and Limitations

- Runs on library models.
- Supports exclusions of blocks or charts.
- Analyzes content of library-linked blocks. By default, the input parameter **Follow links** is set to on.
- Analyzes content in masked subsystems. By default, the input parameter **Look under masks** is set to graphical.

See Also

- MAB guideline jc_0775: Terminating junctions in flow charts
- JMAAB guideline jc_0775

Check usage of Stateflow comments

Check ID: mathworks.jmaab.jc_0738

Description

Identifies the comments that contains newline(s) or nested in the middle in Stateflow.

This check requires a Simulink Check and Stateflow license.

Check Parameterization

This check contains sub-checks that correspond to the sub IDs that are specified in the MAB and JMAAB modeling guidelines. You can use the Model Advisor Configuration Editor to specify which sub IDs (one or multiple) to execute.

For reference, the MAB guideline sub ID(s) that are recommended for use by the NA-MAAB and JMAAB modeling standards organizations are:

- NA-MAAB — a
- JMAAB — a, b

Results and Recommended Actions

Guideline Sub ID	Condition	Recommended Action
jc_0738_a: If the action language is "C", comment nesting must not be used	On or more comments in Stateflow objects are nested.	Comments in Stateflow must not be nested.
jc_0738_b: If the action language is "C", comments must not contain newline(s) in the middle	One or more comments in Stateflow objects contain newline(s) in the middle.	Comments in Stateflow must not contain newline(s) in the middle.

Capabilities and Limitations

- Runs on library models.
- Allows exclusions of blocks and charts.

- Analyzes content in masked subsystems. By default, the input parameter **Look under masks** is set to `graphical`.
- Analyzes content of library-linked blocks. By default, the input parameter **Follow links** is set to `on`.

See Also

- MAB guideline `jc_0738`: Usage of Stateflow comments
- JMAAB guideline `jc_0738`

Check Stateflow chart action language

Check ID: `mathworks.jmaab.jc_0790`

Description

Checks if the action language of Stateflow charts is set to C.

This check requires Simulink Check and Stateflow licenses.

Check Parameterization

This check does not include sub-checks because the MAB modeling guideline only provides one sub ID.

For reference, the MAB guideline sub ID(s) that are recommended for use by the NA-MAAB and JMAAB modeling standards organizations are:

- NA-MAAB — No recommendations
- JMAAB — a

Results and Recommended Actions

Condition	Recommended Action
Action language of one or more Stateflow charts is not set to C.	Set all Stateflow charts action language to C.

Capabilities and Limitations

- Runs on library models.
- Allows exclusions of charts.
- Analyzes content of library-linked blocks. By default, the input parameter **Follow links** is set to `on`.
- Analyzes content in masked subsystems. By default, the input parameter **Look under masks** is set to `graphical`.

Edit-Time Checking

This check is supported by edit-time checking.

See Also

- MAB guideline jc_0790: Action language of Chart block
- JMAAB guideline jc_0790

Check usage of numeric literals in Stateflow

Check ID: mathworks.jmaab.jc_0702

Description

Identifies the use of numeric literals in Stateflow states and transitions.

Note Following are the exceptions for this check:

- Initial value set to **0**.
 - Increment, decrement value set to **1**.
-

This check requires Simulink Check and Stateflow licenses.

Check Parameterization

This check does not include sub-checks because the MAB modeling guideline only provides one sub ID.

For reference, the MAB guideline sub ID(s) that are recommended for use by the NA-MAAB and JMAAB modeling standards organizations are:

- NA-MAAB — a
- JMAAB — a

Results and Recommended Actions

Condition	Recommended Action
One or more expressions in Stateflow states and Stateflow transitions contain numeric literals.	Consider remodeling to use named parameters and constants instead of numeric literals.

Capabilities and Limitations

- Runs on library models.
- Supports exclusions of blocks or charts.
- Analyzes content of library-linked blocks. By default, the input parameter **Follow links** is set to on.
- Analyzes content in masked subsystems. By default, the input parameter **Look under masks** is set to graphical.

See Also

- MAB guideline jc_0702: Use of named Stateflow parameters and constants

- JMAAB guideline jc_0702

Check for pointers in Stateflow charts

Check ID: mathworks.maab.jm_0011

Identify pointer operations on custom code variables.

Description

Pointers to custom code variables are not allowed.

This check requires a Simulink Check and Stateflow license.

This check requires a license.

Check Parameterization

This check does not include sub-checks because the MAB modeling guideline only provides one sub ID.

For reference, the MAB guideline sub ID(s) that are recommended for use by the NA-MAAB and JMAAB modeling standards organizations are:

- NA-MAAB — a
- JMAAB — a

Results and Recommended Actions

Condition	Recommended Action
Custom code variables use pointer operations.	Modify the specified chart to remove the dependency on pointer operations.

Capabilities and Limitations

- Applies only to Stateflow charts that use C as the action language.
- Runs on library models.
- Does not analyze content of library linked blocks.
- Analyzes content in all masked subsystems.
- Allows exclusions of blocks and charts.

See Also

- MAB guideline jm_0011: Pointers in Stateflow
- JMAAB guideline jm_0011

Check for usage of events and broadcasting events in Stateflow charts

Check ID: mathworks.jmaab.jm_0012

Identify undirected event broadcasts that might cause recursion during simulation and generate inefficient code.

Description

Event broadcasts in Stateflow charts must be directed.

This check requires a Simulink Check and Stateflow license.

Check Parameterization

This check contains sub-checks that correspond to the sub IDs that are specified in the MAB and JMAAB modeling guidelines. You can use the Model Advisor Configuration Editor to specify which sub IDs (one or multiple) to execute.

For reference, the MAB guideline sub ID(s) that are recommended for use by the NA-MAAB and JMAAB modeling standards organizations are:

- NA-MAAB — No recommendations
- JMAAB — a1/a2/a3

Note Sub-check jm_0012_a1 is selected by default.

Results and Recommended Actions

Guideline Sub IDs	Condition	Recommended Action
jm_0012_a1: Check if Stateflow events are used only in the output of Stateflow blocks	Stateflow events are not used in the output of Stateflow blocks.	Change the scope of above listed Stateflow events to output.
jm_0012_a2: Check if Stateflow broadcast events are directed using "send" syntax	Stateflow broadcast events are not directed using "send" syntax.	Use "send(event_name, state_name)" syntax to broadcast Stateflow events.
jm_0012_a3: Check if Stateflow broadcast events are directed using qualified event name	Stateflow events are not directed using qualified event name.	Use "send(state_name.event_name)" syntax to broadcast Stateflow events.

Capabilities and Limitations

- Runs on library models.
- Analyzes content of library linked blocks.
- Analyzes content in masked subsystems. By default, the input parameter **Look under masks** is set to graphical.
- Analyzes content of library-linked blocks. By default, the input parameter **Follow links** is set to on.
- Allows exclusions of blocks and charts.

See Also

- MAB guideline jm_0012: Usage restrictions of events and broadcasting events
- JMAAB guideline jm_0012
- “Broadcast Local Events to Synchronize Parallel States” (Stateflow)

Check order of state action types

Check ID: mathworks.jmaab.jc_0733

Description

Identifies state actions that are out of order in Stateflow states.

This check requires a Simulink Check license.

Check Parameterization

This check contains sub-checks that correspond to the sub IDs that are specified in the MAB and JMAAB modeling guidelines. You can use the Model Advisor Configuration Editor to specify which sub IDs (one or multiple) to execute.

For reference, the MAB guideline sub ID(s) that are recommended for use by the NA-MAAB and JMAAB modeling standards organizations are:

- NA-MAAB — a, b
- JMAAB — a, b

Results and Recommended Actions

Guideline Sub ID	Condition	Recommended Action
jc_0733_a: Check basic state action types	One or more Stateflow states have basic state action types written out of order.	Consider ordering the state actions in the order of entry (en), during (du), and exit (ex).
jc_0733_b: Check combined state action types	One or more Stateflow states have combined state action types written out of order.	Consider ordering the state actions in the order of entry (en), during (du), and exit (ex).

Capabilities and Limitations

- Runs on library models.
- Supports exclusions of charts.
- Analyzes content of library-linked blocks. By default, the input parameter **Follow links** is set to on.
- Analyzes content in masked subsystems. By default, the input parameter **Look under masks** is set to graphical.

See Also

- MAB guideline jc_0733: Order of state action types
- JMAAB guideline jc_0733

Check repetition of Action types

Check ID: `mathworks.jmaab.jc_0734`

Identifies repeated Action types in a Stateflow state.

Description

The action types (entry (en), during (du), exit (ex), en, du:, du, ex:, en, ex:, en, du, ex:) must not be described two or more times in a Stateflow state.

This check requires a Simulink Check and Stateflow license.

Check Parameterization

This check does not include sub-checks because the MAB modeling guideline only provides one sub ID.

For reference, the MAB guideline sub ID(s) that are recommended for use by the NA-MAAB and JMAAB modeling standards organizations are:

- NA-MAAB — a
- JMAAB — a

Results and Recommended Actions

Condition	Recommended Action
One or more action types is used multiple times in a Stateflow state.	Merge the actions types so that each of the action types is defined only once in a Stateflow state.

- Runs on library models.
- Analyzes content of library-linked blocks. By default, the input parameter **Follow links** is set to `on`.
- Analyzes content in masked subsystems. By default, the input parameter **Look under masks** is set to `graphical`.
- Allows exclusions of charts.

See Also

- MAB guideline `jc_0734`: Number of state action types
- JMAAB guideline `jc_0734`

Check if state action type 'exit' is used in the model

Check ID: `mathworks.jmaab.jc_0740`

Description

Checks if Stateflow exit actions are used in the model.

This check requires Simulink Check and Stateflow licenses.

Check Parameterization

This check does not include sub-checks because the MAB modeling guideline only provides one sub ID.

For reference, the MAB guideline sub ID(s) that are recommended for use by the NA-MAAB and JMAAB modeling standards organizations are:

- NA-MAAB — No recommendations
- JMAAB — a

Results and Recommended Actions

Condition	Recommended Action
One or more Stateflow states use exit action type.	Consider removing state action type exit in Stateflow states.

Capabilities and Limitations

- Runs on library models.
- Supports exclusions of charts.
- Analyzes content of library-linked blocks. By default, the input parameter **Follow links** is set to on.
- Analyzes content in masked subsystems. By default, the input parameter **Look under masks** is set to graphical.

See Also

- MAB guideline jc_0740: Limitation on use of exit state action
- JMAAB guideline jc_0740

Check updates to variables used in state transition conditions

Check ID: mathworks.jmaab.jc_0741

Description

Checks if the variables used in state transition conditions perform an update by "during" state action type.

This check requires a Simulink Check and Stateflow license.

Check Parameterization

This check does not include sub-checks because the MAB modeling guideline only provides one sub ID.

For reference, the MAB guideline sub ID(s) that are recommended for use by the NA-MAAB and JMAAB modeling standards organizations are:

- NA-MAAB — No recommendations
- JMAAB — a

Results and Recommended Actions

Condition	Recommended Action
One or more variables in the state transition condition performs an update by "during" state action type.	Make sure that the variables used in state transition conditions do not perform an update by "during" state action type.

Capabilities and Limitations

- Runs on library models.
- Analyzes content in masked subsystems. By default, the input parameter **Look under masks** is set to `graphical`.
- Analyzes content of library-linked blocks. By default, the input parameter **Follow links** is set to `on`.
- Allows exclusions of blocks and charts.

See Also

- MAB guideline `jc_0741`: Timing to update data used in state chart transition conditions
- JMAAB guideline `jc_0741`

Check usage of transition conditions in Stateflow transitions

Check ID: `mathworks.jmaab.jc_0772`

Description

Identifies the transitions sourced from a state and unconditional Stateflow transitions with higher priority than conditional transitions.

This check requires a Simulink Check and Stateflow license.

Check Parameterization

This check does not include sub-checks because the MAB modeling guideline only provides one sub ID.

For reference, the MAB guideline sub ID(s) that are recommended for use by the NA-MAAB and JMAAB modeling standards organizations are:

- NA-MAAB — a
- JMAAB — a

Results and Recommended Actions

Condition	Recommended Action
Stateflow transitions found with higher priority than conditional transitions.	Change the execution order of the transitions or add an execution condition.

Capabilities and Limitations

- Runs on library models.
- Analyzes content of library-linked blocks. By default, the input parameter **Follow links** is set to on.
- Analyzes content in masked subsystems. By default, the input parameter **Look under masks** is set to graphical.
- Allows exclusions of blocks and charts.

See Also

- MAB guideline jc_0772: Execution order and transition conditions of transition lines
- JMAAB guideline jc_0772

Check condition actions and transition actions in Stateflow

Check ID: mathworks.jmaab.jc_0753

Description

Checks if the use of condition actions or transition actions are uniform within the same chart.

This check requires a Simulink Check and Stateflow license.

Check Parameterization

This check contains sub-checks that correspond to the sub IDs that are specified in the MAB and JMAAB modeling guidelines. You can use the Model Advisor Configuration Editor to specify which sub IDs (one or multiple) to execute.

For reference, the MAB guideline sub-ID(s) that are recommended for use by the NA-MAAB and JMAAB modeling standards organizations are:

- NA-MAAB — a1/a2
- JMAAB — a1/a2

Note Sub-check jc_0753_a1 is selected by default.

Results and Recommended Actions

Guideline Sub ID	Condition	Recommended Action
jc_0753_a1: Check transition actions in Stateflow charts	The following Stateflow charts use transition actions.	Do not use transition actions in Stateflow charts.
jc_0753_a2: Check usage of condition actions and transition actions within same Stateflow chart	Condition actions and transition actions are mixed within the same chart.	Use of condition actions or transition actions must be uniform within the same chart.

Capabilities and Limitations

- Runs on library models.
- Analyzes content in masked subsystems. By default, the input parameter **Look under masks** is set to `graphical`.
- Analyzes content of library-linked blocks. By default, the input parameter **Follow links** is set to `on`.
- Allows exclusions of blocks and charts.

See Also

- MAB guideline `jc_0753`: Condition actions and transition actions in Stateflow
- JMAAB guideline `jc_0753`

Check for MATLAB expressions in Stateflow charts

Check ID: `mathworks.jmaab.db_0127`

Description

Identifies the Stateflow objects that use MATLAB expressions that are not suitable for code generation.

This check requires a Simulink Check license.

Check Parameterization

This check contains sub-checks that correspond to the sub IDs that are specified in the MAB and JMAAB modeling guidelines. You can use the Model Advisor Configuration Editor to specify which sub IDs (one or multiple) to execute.

For reference, the MAB guideline sub ID(s) that are recommended for use by the NA-MAAB and JMAAB modeling standards organizations are:

- NA-MAAB — `a1/a2`
- JMAAB — `a1/a2`

Note Sub-check `db_0127_a1` is selected by default.

Results and Recommended Actions

Guideline Sub ID	Condition	Recommended Action
<code>db_0127_a1</code> : Check for MATLAB expressions in Stateflow charts	One or more Stateflow objects in the model use MATLAB expressions.	Consider remodeling by replacing all MATLAB expressions in Stateflow objects.

Guideline Sub ID	Condition	Recommended Action
db_0127_a2: Check for MATLAB expressions in Stateflow charts not accessed through MATLAB function	One or more Stateflow objects in the model use MATLAB expressions that are not accessed through MATLAB function.	Consider remodeling so that MATLAB expressions are accessed through MATLAB functions in Stateflow objects.

Capabilities and Limitations

- Applies only to Stateflow charts that use C as the action language.
- Runs on library models.
- Allows exclusions.
- Analyzes content of library-linked blocks. By default, the input parameter **Follow links** is set to on.
- Analyzes content in masked subsystems. By default, the input parameter **Look under masks** is set to graphical.

Edit-Time Checking

This check is supported by edit-time checking.

See Also

- MAB guideline db_0127: Limitation on MATLAB commands in Stateflow blocks
- JMAAB guideline db_0127

Check usage of floating-point expressions in Stateflow charts

Check ID: mathworks.maab.jc_0481

Identify equal to operations (==) in expressions where at least one side of the expression is a floating-point variable or constant.

Description

Do not use equal to operations with floating-point data types. You can use equal to operations with integer data types.

This check requires a Simulink Check and Stateflow license.

Check Parameterization

This check does not include sub-checks because the MAB modeling guideline only provides one sub ID.

For reference, the MAB guideline sub ID(s) that are recommended for use by the NA-MAAB and JMAAB modeling standards organizations are:

- NA-MAAB — a
- JMAAB — a

Results and Recommended Actions

Condition	Recommended Action
Expressions use equality comparison operations (<code>==</code> , <code>!=</code> , <code>~=</code>) where at least one side of the expression is a floating-point variable or constant.	Modify the specified expressions to avoid equality comparison operations between floating-point expressions.
The Model Advisor could not determine the data types in expressions with equality operations.	To allow Model Advisor to determine the data types, consider explicitly typecasting the specified expressions.

Capabilities and Limitations

- Does not run on library models.
- Analyzes content of library-linked blocks. By default, the input parameter **Follow links** is set to `on`.
- Analyzes content in masked subsystems. By default, the input parameter **Look under masks** is set to `graphical`.
- Allows exclusions of blocks and charts.

See Also

- MAB guideline `jc_0481`: Use of hard equality comparisons for floating point numbers in Stateflow
- JMAAB guideline `jc_0481`

Check Stateflow operators

Check ID: `mathworks.jmaab.na_0001`

Description

Identifies the usage of operators in Stateflow.

This check requires a Simulink Check and Stateflow license.

Check Parameterization

This check contains sub-checks that correspond to the sub IDs that are specified in the MAB and JMAAB modeling guidelines. You can use the Model Advisor Configuration Editor to specify which sub IDs (one or multiple) to execute.

For reference, the MAB guideline sub ID(s) that are recommended for use by the NA-MAAB and JMAAB modeling standards organizations are:

- NA-MAAB — No recommendations
- JMAAB — `a`, `b1/b2/b3`, `c`

Note Sub-checks `na_0001_a`, `na_0001_b1`, and `na_0001_c` are selected by default.

Results and Recommended Actions

Guideline Sub ID	Condition	Recommended Action
na_0001_a: Usage of bitwise operators in Stateflow	One or more expressions have incorrect usage of bitwise operators.	Consider using bitwise operators ('&', ' ', '^', '~') for bit operations only.
na_0001_b1: Usage of inequality operator (~=) in Stateflow	One or more expressions have incorrect usage of inequality operators.	Consider using '~=' for inequality operations.
na_0001_b2: Usage of inequality operator (!=) in Stateflow	One or more expressions have incorrect usage of inequality operators.	Consider using '!=' for inequality operations.
na_0001_b3: Usage of inequality operator (<>) in Stateflow	One or more expressions have incorrect usage of inequality operators.	Consider using '<>' for inequality operations.
na_0001_c: Usage of logical negation operator in Stateflow	One or more scenarios have incorrect usage of logical negation operator.	Consider using '!' for logical negation operations

Capabilities and Limitations

- Applies only to charts that use C as the action language.
- Does not run on library models.
- Analyzes content of library-linked blocks. By default, the input parameter **Follow links** is set to on.
- Analyzes content in masked subsystems. By default, the input parameter **Look under masks** is set to graphical.
- Allows exclusions of blocks and charts.

See Also

- MAB guideline na_0001: Standard usage of Stateflow operators
- JMAAB guideline na_0001

Check prohibited comparison operation of logical type signals

Check ID: mathworks.jmaab.jc_0655

Description

Identifies the Boolean type transitions in Stateflow charts that use either comparison with numbers or logical values (true or false), or use negation operators (! or ~) variably in the model.

This check requires a Simulink Check and Stateflow license.

Check Parameterization

This check does not include sub-checks because the MAB modeling guideline only provides one sub ID.

For reference, the MAB guideline sub ID(s) that are recommended for use by the NA-MAAB and JMAAB modeling standards organizations are:

- NA-MAAB — No recommendations
- JMAAB — a

Results and Recommended Actions

Condition	Recommended Action
Boolean type transactions are compared with numbers or logical values (true or false).	Make sure that the Boolean type transactions are not compared with numbers or logical values.

Capabilities and Limitations

- Runs on library models.
- Allows exclusions of blocks and charts.
- Analyzes content of library-linked blocks. By default, the input parameter **Follow links** is set to on.
- Analyzes content in masked subsystems. By default, the input parameter **Look under masks** is set to graphical.

See Also

- MAB guideline jc_0655: Prohibition of logical value comparison in Stateflow
- JMAAB guideline jc_0655

Check usage of unary minus operations in Stateflow charts

Check ID: `mathworks.maab.jc_0451`

Identify unary minus operations applied to unsigned integers in Stateflow objects.

Description

Do not perform unary minus operations on unsigned integers in Stateflow objects.

This check requires a Simulink Check and Stateflow license.

Check Parameterization

This check does not include sub-checks because the MAB modeling guideline only provides one sub ID.

For reference, the MAB guideline sub ID(s) that are recommended for use by the NA-MAAB and JMAAB modeling standards organizations are:

- NA-MAAB — a
- JMAAB — a

Results and Recommended Actions

Condition	Recommended Action
Unary minus operations are applied to unsigned integers in Stateflow objects.	Modify the specified objects to remove dependency on unary minus operations.
The Model Advisor could not determine the data types in expressions with unary minus operations.	To allow Model Advisor to determine the data types, consider explicitly typecasting the specified expressions.

Capabilities and Limitations

- Does not run on library models.
- Does not analyze content of library linked blocks.
- Analyzes content in all masked subsystems.
- Allows exclusions of blocks and charts.

See Also

- MAB guideline jc_0451: Use of unary minus on unsigned integers
- JMAAB guideline jc_0451

Check for implicit type casting in Stateflow

Check ID: mathworks.jmaab.jc_0802

Description

Identifies implicit type casting in Stateflow.

This check requires Simulink Check and Stateflow licenses.

Check Parameterization

This check does not include sub-checks because the MAB modeling guideline only provides one sub ID.

For reference, the MAB guideline sub ID(s) that are recommended for use by the NA-MAAB and JMAAB modeling standards organizations are:

- NA-MAAB — a
- JMAAB — a

Results and Recommended Actions

Condition	Recommended Action
One or more operations and/or function calls in Stateflow charts have data type mismatch.	All operations and function calls must be made between variables of the same data type. If the data types are different, the variables need to be explicitly type casted to match data types.

Capabilities and Limitations

- This check will not analyze the enumeration types in Stateflow if the enumeration types are not specified with full class name.
- This check does not analyze the Fixed-Point Context-Sensitive Constants.
- Does not run on library models.
- Allows exclusions of blocks or charts.
- Analyzes content of library-linked blocks. By default, the input parameter **Follow links** is set to on.
- Analyzes content in masked subsystems. By default, the input parameter **Look under masks** is set to graphical.

See Also

- MAB guideline jc_0802: Prohibited use of implicit type casting in Stateflow
- JMAAB guideline jc_0802

Check uniqueness of Stateflow State and Data names

Check ID: mathworks.jmaab.jc_0732

Description

Checks if in a single Stateflow chart, the Stateflow data name, Stateflow state name, and Stateflow event name are identical.

This check requires a Simulink Check and Stateflow license.

Check Parameterization

This check does not include sub-checks because the MAB modeling guideline only provides one sub ID.

For reference, the MAB guideline sub ID(s) that are recommended for use by the NA-MAAB and JMAAB modeling standards organizations are:

- NA-MAAB — a
- JMAAB — a

Results and Recommended Actions

Condition	Recommended Action
If the Stateflow Data name and the Stateflow State name have the same name in a Stateflow Chart.	Rename either of the Stateflow Data name or Stateflow State name to not to be identical names.

Capabilities and Limitations

- Runs on library models.
- Analyzes content of library-linked blocks. By default, the input parameter **Follow links** is set to on.

- Analyzes content in masked subsystems. By default, the input parameter **Look under masks** is set to `graphical`.
- Allows exclusions of charts.

See Also

- MAB guideline `jc_0732`: Distinction between state names, data names, and event names
- JMAAB guideline `jc_0732`

Check uniqueness of State names

Check ID: `mathworks.jmaab.jc_0730`

Description

State names must be unique in charts, with the exception of Atomic subcharts. I.e. Atomic Subcharts are treated as different container so they can share State Names with other states outside of the subchart.

This check requires a Simulink Check and Stateflow license.

Check Parameterization

This check does not include sub-checks because the MAB modeling guideline only provides one sub ID.

For reference, the MAB guideline sub ID(s) that are recommended for use by the NA-MAAB and JMAAB modeling standards organizations are:

- NA-MAAB — a
- JMAAB — a

Results and Recommended Actions

Condition	Recommended Action
In a Stateflow chart, two or more Stateflow states have the same name.	Rename the Stateflow states so that there are no identical names in the Stateflow chart.

Capabilities and Limitations

- Runs on library models.
- Analyzes content of library-linked blocks. By default, the input parameter **Follow links** is set to `on`.
- Analyzes content in masked subsystems. By default, the input parameter **Look under masks** is set to `graphical`.
- Allows exclusions of charts.

See Also

- MAB guideline `jc_0730`: Unique state name in Stateflow blocks
- JMAAB guideline `jc_0730`

Check usage of State names

Check ID: mathworks.jmaab.jc_0731

Checks for slashes (/) in the state names.

Description

Checks if slashes (/) are included in state names. After the state name is defined, add a new line for describing any executable statements. A slash (/) is required only when describing executable statements in continuation after state names.

This check requires Simulink Check and Stateflow licenses.

Check Parameterization

This check does not include sub-checks because the MAB modeling guideline only provides one sub ID.

For reference, the MAB guideline sub ID(s) that are recommended for use by the NA-MAAB and JMAAB modeling standards organizations are:

- NA-MAAB — a
- JMAAB — a

Results and Recommended Actions

Condition	Recommended Action
Slash is in the state name.	Remove the slash from the state name and make sure to start a new line for any executable statements.

Capabilities and Limitations

- Runs on library models.
- Analyzes content of library-linked blocks. By default, the input parameter **Follow links** is set to on.
- Analyzes content in masked subsystems. By default, the input parameter **Look under masks** is set to graphical.
- Allows exclusions of charts.

See Also

- MAB guideline jc_0731: State name format
- JMAAB guideline jc_0731

Check entry formatting in State blocks in Stateflow charts

Check ID: mathworks.jmaab.jc_0501

Description

Note Prerequisite: Run syntax checking before running this check.

Identify missing line breaks between entry action (en), during action (du), and exit action (ex) entries in states. Identify missing line breaks after semicolons (;) in statements.

Start a new line after the entry, during, and exit entries, and after the completion of a statement “;”.

This check requires a Simulink Check and Stateflow license.

Check Parameterization

This check does not include sub-checks because the MAB modeling guideline only provides one sub ID.

For reference, the MAB guideline sub ID(s) that are recommended for use by the NA-MAAB and JMAAB modeling standards organizations are:

- NA-MAAB — a
- JMAAB — a

Results and Recommended Actions

Condition	Recommended Action
An entry (en) is not on a new line.	Add a new line after the entry.
A during (du) is not on a new line.	Add a new line after the during.
An exit (ex) is not on a new line.	Add a new line after the exit.
Multiple statements found on one line.	Add a new line after each statement.

Capabilities and Limitations

- Runs on library models.
- Does not analyze content of library linked blocks.
- Analyzes content in all masked subsystems.
- Allows exclusions of blocks and charts.

Edit-Time Checking

This check is supported by edit-time checking.

See Also

- MAB guideline jc_0501: Format of entries in a State block
- JMAAB guideline jc_0501

Check indentation of code in Stateflow states

Check ID: mathworks.jmaab.jc_0736

Check for uniform indentation of label Strings in Stateflow States and Transitions.

Description

Checks if the indentations in the Stateflow blocks are described uniformly and adhere to the following recommendations:

This check requires a Simulink Check and Stateflow license.

Check Parameterization

This check contains sub-checks that correspond to the sub IDs that are specified in the MAB and JMAAB modeling guidelines. You can use the Model Advisor Configuration Editor to specify which sub IDs (one or multiple) to execute.

For reference, the MAB guideline sub ID(s) that are recommended for use by the NA-MAAB and JMAAB modeling standards organizations are:

- NA-MAAB — No recommendations
- JMAAB — a, b, c

You can use the input parameter **Number of single-byte spaces** to set the threshold to the desired value. By default the value is set to **1**.

Results and Recommended Actions

Guideline Sub ID	Condition	Recommended Action
jc_0736_a: Check for uniform indentation of action language in Stateflow states	One or more Stateflow states in the model do not have uniform indentation.	Consider deleting the blank spaces before state action types and adding the exact number of single-byte spaces as defined in the input parameter before executable statements.
jc_0736_b: Check for uniform spacing of transition action types	One or more Stateflow transitions in the model do not have uniform spacing.	Consider not adding blank spaces before '[' of a transition condition, '{' of a transition action and '/' of the event in a transition.
jc_0736_c: Check for uniform spacing of transition actions	One or more Stateflow transitions in the model do not have uniform spacing.	Consider adding the exact number of single-byte spaces as defined in the input parameter after the '/' of a transition action.

Capabilities and Limitations

- Runs on library models.
- Analyzes content of library-linked blocks. By default, the input parameter **Follow links** is set to on.
- Analyzes content in masked subsystems. By default, the input parameter **Look under masks** is set to graphical.

- Allows exclusions of charts.

See Also

- MAB guideline jc_0736: Uniform indentations in Stateflow blocks
- JMAAB guideline jc_0736

Check for usage of text inside states

Check ID: `mathworks.jmaab.jc_0739`

Description

Identifies the Stateflow states with text exceeding the boundary of the state.

This check requires a Simulink Check and Stateflow license.

Check Parameterization

This check does not include sub-checks because the MAB modeling guideline only provides one sub ID.

For reference, the MAB guideline sub ID(s) that are recommended for use by the NA-MAAB and JMAAB modeling standards organizations are:

- NA-MAAB — a
- JMAAB — a

Results and Recommended Actions

Condition	Recommended Action
One or more Stateflow states in the model have text exceeding the boundary of the state.	Make sure that the text inside the Stateflow state does not go outside the boundary of the state.

Capabilities and Limitations

- This check flags Stateflow states in the model that have a newline character in the text. This happens even if the text inside the Stateflow state is contained within the boundary of the state.
- Runs on library models.
- Analyzes content of library-linked blocks. By default, the input parameter **Follow links** is set to `on`.
- Analyzes content in masked subsystems. By default, the input parameter **Look under masks** is set to `graphical`.
- Allows exclusions of blocks and charts.

See Also

- MAB guideline jc_0739: Describing text inside states
- JMAAB guideline jc_0739

Check placement of Label String in Transitions

Check ID: `mathworks.jmaab.jc_0770`

Description

Checks the placement of the Stateflow Transition labels. The Stateflow signal label must always be at the origin of the signal or at the midpoint of the signal transition line.

This check requires a Simulink Check and Stateflow license.

Check Parameterization

This check contains sub-checks that correspond to the sub IDs that are specified in the MAB and JMAAB modeling guidelines. You can use the Model Advisor Configuration Editor to specify which sub IDs (one or multiple) to execute.

For reference, the MAB guideline sub ID(s) that are recommended for use by the NA-MAAB and JMAAB modeling standards organizations are:

- NA-MAAB — No recommendations
- JMAAB — a1/a2

Note Sub-check `jc_0770_a1` is selected by default.

Results and Recommended Actions

Guideline Sub ID	Condition	Recommended Action
jc_0770_a1: Transition labels should be placed near the point of origin of the transition	One or more Stateflow transitions do not have label string placed near the origin of the transition.	Make sure to place the Stateflow labels near the point of origin of the transition.
jc_0770_a2: Transition labels should be placed near center of the transition	One or more Stateflow transitions do not have label string placed near the center of the transition.	Make sure to place the Stateflow labels near the midpoint (center) of the transition.

Capabilities and Limitations

- Runs on library models.
- Allows exclusions of blocks and charts.
- Analyzes content of library-linked blocks. By default, the input parameter **Follow links** is set to on.
- Analyzes content in masked subsystems. By default, the input parameter **Look under masks** is set to graphical.

See Also

- MAB guideline `jc_0770`: Position of transition label
- JMAAB guideline `jc_0770`

Check position of comments in transition labels

Check ID: `mathworks.jmaab.jc_0771`

Description

Identifies comments in transition labels that are not positioned uniformly.

This check requires Simulink Check and Stateflow licenses.

Check Parameterization

This check contains sub-checks that correspond to the sub IDs that are specified in the MAB and JMAAB modeling guidelines. You can use the Model Advisor Configuration Editor to specify which sub IDs (one or multiple) to execute.

For reference, the MAB guideline sub ID(s) that are recommended for use by the NA-MAAB and JMAAB modeling standards organizations are:

- NA-MAAB — a1/a2
- JMAAB — a1/a2

Note Sub-check `jc_0771_a1` is selected by default.

Results and Recommended Actions

Guideline Sub ID	Condition	Recommended Action
<code>jc_0771_a1</code> : Comments in transition labels must be uniformly positioned on top	One or more comments in transition labels are not positioned at the top.	Comments in transition labels must be positioned above transition conditions, condition actions, transition actions, and Stateflow events.
<code>jc_0771_a2</code> : Comments in transition labels must be uniformly positioned at the bottom	One or more comments in transition labels are not positioned at the bottom.	Comments in transition labels must be positioned below transition conditions, condition actions, transition actions, and Stateflow events.

Capabilities and Limitations

- Runs on library models.
- Supports exclusions of blocks or charts.
- Analyzes content of library-linked blocks. By default, the input parameter **Follow links** is set to `on`.
- Analyzes content in masked subsystems. By default, the input parameter **Look under masks** is set to `graphical`.

See Also

- MAB guideline `jc_0771`: Comment position in transition labels

- JMAAB guideline jc_0771

Check usage of parentheses in Stateflow transitions

Check ID: mathworks.jmaab.jc_0752

Description

Checks if a new line is started before and after parentheses for condition actions in Stateflow transitions.

This check requires a Simulink Check and Stateflow license.

Check Parameterization

This check does not include sub-checks because the MAB modeling guideline only provides one sub ID.

For reference, the MAB guideline sub ID(s) that are recommended for use by the NA-MAAB and JMAAB modeling standards organizations are:

- NA-MAAB — No recommendations
- JMAAB — a

Results and Recommended Actions

Condition	Recommended Action
Condition actions in Stateflow transitions are written beside parenthesis.	Start new line before and after parentheses for condition actions in Stateflow transitions.

Capabilities and Limitations

- Runs on library models.
- Analyzes content in masked subsystems. By default, the input parameter **Look under masks** is set to `graphical`.
- Analyzes content of library-linked blocks. By default, the input parameter **Follow links** is set to `on`.
- Allows exclusions of blocks and charts.

See Also

- MAB guideline jc_0752: Condition action in transition label
- JMAAB guideline jc_0752

Check for comments in unconditional transitions

Check ID: mathworks.jmaab.jc_0774

Description

Identifies the comments in unconditional transitions without action statements.

This check requires Simulink Check and Stateflow licenses.

Check Parameterization

This check does not include sub-checks because the MAB modeling guideline only provides one sub ID.

For reference, the MAB guideline sub ID(s) that are recommended for use by the NA-MAAB and JMAAB modeling standards organizations are:

- NA-MAAB — a
- JMAAB — a

Results and Recommended Actions

Condition	Recommended Action
One or more unconditional transitions without action statements do not have comments.	Consider adding a comment explaining the unconditional transition.

Capabilities and Limitations

- Runs on library models.
- Supports exclusions of blocks or charts.
- Analyzes content in masked subsystems. By default, the input parameter **Look under masks** is set to `graphical`.
- Analyzes content of library-linked blocks. By default, the input parameter **Follow links** is set to `on`.

See Also

- MAB guideline `jc_0774`: Comments for through transition
- JMAAB guideline `jc_0774`

Check return value assignments in Stateflow graphical functions

Check ID: `mathworks.maab.jc_0511`

Identify graphical functions with multiple assignments of return values in Stateflow charts.

Description

The return value from a Stateflow graphical function must be set in only one place.

This check requires a Simulink Check and Stateflow license.

Check Parameterization

This check does not include sub-checks because the MAB modeling guideline only provides one sub ID.

For reference, the MAB guideline sub ID(s) that are recommended for use by the NA-MAAB and JMAAB modeling standards organizations are:

- NA-MAAB — No recommendations
- JMAAB — a

Results and Recommended Actions

Condition	Recommended Action
The return value from a Stateflow graphical function is assigned in multiple places.	Modify the specified graphical function so that its return value is set in one place.

Capabilities and Limitations

- Runs on library models.
- Does not analyze content of library linked blocks.
- Allows exclusions of blocks and charts.

See Also

- MAB guideline jc_0511: Return values from a graphical function
- JMAAB guideline jc_0511
- “Reuse Logic Patterns by Defining Graphical Functions” (Stateflow).

Check usage of Simulink function in Stateflow

Check ID: mathworks.jmaab.na_0042

Description

Checks the usage of Simulink functions in Stateflow.

This check requires Simulink Check and Stateflow licenses.

Check Parameterization

This check does not include sub-checks because the MAB modeling guideline only provides one sub ID.

For reference, the MAB guideline sub ID(s) that are recommended for use by the NA-MAAB and JMAAB modeling standards organizations are:

- NA-MAAB — a
- JMAAB — a

Results and Recommended Actions

Condition	Recommended Action
Input or output arguments passed to Simulink Functions are not data or variables of Local scope.	Modify the chart data or variables scope to Local .

Condition	Recommended Action
Input or output arguments passed to Simulink Functions use data or variables of output scope.	Input or output arguments passed to Simulink Functions should be a mixture of data or variables of Local scope and/or Input scope.
Simulink functions are not called from multiple locations within the chart.	Make sure Simulink functions are reused.

Capabilities and Limitations

- This check does not analyze if Simulink functions are called every time step.
- Runs on library models.
- Allows exclusions of blocks and charts.
- Analyzes content of library-linked blocks. By default, the input parameter **Follow links** is set to on.
- Analyzes content in masked subsystems. By default, the input parameter **Look under masks** is set to graphical.

See Also

- MAB guideline na_0042: Usage of Simulink functions
- JMAAB guideline na_0042

Check use of Simulink in Stateflow charts

Check ID: mathworks.maab.na_0039

Checks for Stateflow charts that are nested in Simulink functions used in the root Stateflow chart.

Description

Checks Simulink functions in the root Stateflow chart and identifies Stateflow charts that are nested within these functions.

This check requires Simulink Check and Stateflow licenses.

Check Parameterization

This check does not include sub-checks because the MAB modeling guideline only provides one sub ID.

For reference, the MAB guideline sub ID(s) that are recommended for use by the NA-MAAB and JMAAB modeling standards organizations are:

- NA-MAAB — a
- JMAAB — a

Results and Recommended Actions

Condition	Recommended Action
The Simulink function has a nested Stateflow chart.	Consider modifying your root Stateflow chart so the Simulink function does not contain a nested Stateflow chart.

Capabilities and Limitations

- Does not check Stateflow states.
- Runs on library models.
- Allows exclusions of blocks and charts.
- Allows syntax highlighting.
- Analyzes content of library-linked blocks. By default, the input parameter **Follow links** is set to on.
- Analyzes content in masked subsystems. By default, the input parameter **Look under masks** is set to graphical.

See Also

- MAB guideline na_0039: Limitation on Simulink functions in Chart blocks
- JMAAB guideline na_0039

Check MATLAB Function metrics

Check ID: mathworks.maab.himl_0003

Display complexity and code metrics for MATLAB Functions. Report metric violations.

Description

This check provides complexity and code metrics for MATLAB Functions. The check additionally reports metric violations.

A results table provides links to MATLAB Functions that violate the complexity input parameters.

This check requires a Simulink Check license.

Check Parameterization

This Model Advisor check is not applicable for JMAAB modeling guidelines.

This check does not include sub-checks

For reference, the MAB guideline sub ID(s) that are recommended for use by the NA-MAAB and JMAAB modeling standards organizations are:

- NA-MAAB — a
- JMAAB — Not supported

To specify the complexity thresholds, use the Model Advisor Configuration Editor.

- 1 Open the Model Configuration Editor and search for check ID `himl_0003`.
- 2 Under **Input Parameters**, select **Check .m files referenced in the model** to include files with a `.m` extension in the analysis.
- 3 Define these complexity metrics:
 - **Maximum effective lines of code per function** — Provide the maximum effective lines of code per function. Effective lines do not include empty lines, comment lines, or lines with a function end keyword.
 - **Minimum density of comments** — Provide minimum density of comments. Density is ratio of comment lines to total lines of code.
 - **Maximum cyclomatic complexity per function** — Provide maximum cyclomatic complexity per function. Cyclomatic complexity is the number of linearly independent paths through the source code.
- 4 Click **Apply** and save the configuration.

Results and Recommended Actions

Condition	Recommended Action
MATLAB Function violates the complexity input parameters.	For the MATLAB Function: <ul style="list-style-type: none"> • If effective lines of code is too high, further divide the MATLAB Function. • If comment density is too low, add comment lines. • If cyclomatic complexity per function is too high, further divide the MATLAB Function.

Capabilities and Limitations

- Runs on library models.
- Does not analyze content of library linked blocks.
- Analyzes content in all masked subsystems.
- Allows exclusions of blocks and charts.

See Also

- MAB guideline `na_0016`: Source lines of MATLAB Functions
- MAB guideline `na_0018`: Number of nested if/else and case statement

Check MATLAB code for global variables

Check ID: `mathworks.maab.na_0024`

Check for global variables in MATLAB code.

Description

Verifies that global variables are not used in any of the following:

- MATLAB code in MATLAB Function blocks
- MATLAB functions defined in Stateflow charts
- Called MATLAB functions

This check requires a Simulink Check license.

Check Parameterization

This check does not include sub-checks because the MAB modeling guideline only provides one sub ID.

For reference, the MAB guideline sub ID(s) that are recommended for use by the NA-MAAB and JMAAB modeling standards organizations are:

- NA-MAAB — a
- JMAAB — a

Results and Recommended Actions

Condition	Recommended Action
Global variables are used in one or more of the following: <ul style="list-style-type: none"> • MATLAB code in MATLAB Function blocks • MATLAB functions defined in Stateflow charts • Called MATLAB functions 	Replace global variables with signal lines, function arguments, or persistent data.

Capabilities and Limitations

- Runs on library models.
- Does not analyze content of library linked blocks.
- Analyzes content in all masked subsystems.
- Does not allow exclusions of blocks or charts.

See Also

- MAB guideline na_0024: Shared data in MATLAB functions
- JMAAB guideline na_0024

Check usage of enumerated values

Check ID: mathworks.maab.na_0031

Description

Identifies the enumeration classes used in the model without a default value specification.

This check requires a Simulink Check license.

Check Parameterization

This check does not include sub-checks because the MAB modeling guideline only provides one sub ID.

For reference, the MAB guideline sub ID(s) that are recommended for use by the NA-MAAB and JMAAB modeling standards organizations are:

- NA-MAAB — a
- JMAAB — a

Results and Recommended Actions

Condition	Recommended Action
Enumeration classes in the model do not have a default value specification.	Make sure that the enumeration classes used in the model have a getDefaultValue method implementation as a static method of the class.

Capabilities and Limitations

- Does not run on library models.
- Does not allow exclusions of blocks and charts.
- Analyzes content of library linked blocks.

See Also

- MAB guideline na_0031: Definition of default enumerated value
- JMAAB guideline na_0031

Check input and output settings of MATLAB Functions

Check ID: `mathworks.maab.na_0034`

Identify MATLAB Functions that have inputs, outputs or parameters with inherited complexity or data type properties.

Description

The check identifies MATLAB Functions with inherited complexity or data type properties. A results table provides links to MATLAB Functions that do not pass the check, along with conditions triggering the warning.

This check requires a Simulink Check license.

Check Parameterization

This check does not include sub-checks because the MAB modeling guideline only provides one sub ID.

For reference, the MAB guideline sub ID(s) that are recommended for use by the NA-MAAB and JMAAB modeling standards organizations are:

- NA-MAAB — a
- JMAAB — a

Results and Recommended Actions

Condition	Recommended Action
<p>MATLAB Functions have inherited interfaces with one or more of these conditions:</p> <ul style="list-style-type: none"> • Complexity is Inherited. • Type is Inherit: Same as Simulink. • Size is -1 (Inherited). 	<p>Explicitly define complexity and data type properties for inports, outports, and parameters of MATLAB Function identified in the results.</p> <p>If applicable, using the MATLAB Function Block Editor, make the following modifications in the Ports and Data Manager:</p> <ul style="list-style-type: none"> • Change Complexity from Inherited to On or Off. • Change Type from Inherit: Same as Simulink to an explicit type. • Change Size from -1 (Inherited) to an explicit size.

Capabilities and Limitations

- Runs on library models.
- Does not analyze content of library linked blocks.
- Analyzes content in all masked subsystems.
- Allows exclusions of blocks and charts.

See Also

- MAB guideline na_0034: MATLAB Function block input/output settings
- JMAAB guideline na_0034

Check the number of function calls in MATLAB Function blocks

Check ID: mathworks.maab.na_0017

Description

Checks whether number of function calls in MATLAB Function blocks is less than the set threshold. By default, the limit is set to three.

This check requires a Simulink Check license.

Check Parameterization

This Model Advisor check is not applicable for JMAAB modeling guidelines.

This check does not include sub-checks

For reference, the MAB guideline sub ID(s) that are recommended for use by the NA-MAAB and JMAAB modeling standards organizations are:

- NA-MAAB — a
- JMAAB — Not supported

You can customize the function call levels threshold by using the input parameter **Function Call Level** from the Model Advisor Configuration Editor.

- 1 Open the Model Configuration Editor and search for check ID na_0017.
- 2 Enter the desired function call level to set in the **Function Call Level** field.

By default, this parameter is set to **3**.

- 3 Click **Apply** and save the configuration.

Results and Recommended Actions

Condition	Recommended Action
Number of function calls in MATLAB Function blocks is greater than the set threshold. By default, the set threshold is three. The set threshold can be modified by using the input parameter Function Call Level in the configuration editor.	Reduce the number of function calls from MATLAB Function blocks to be less than the set threshold.

Capabilities and Limitations

- Recursive function calls are only counted once.
- Inline class methods are not analyzed.
- Runs on library models.
- Allows exclusions of blocks and charts.
- Analyzes content in masked subsystems. By default, the input parameter **Look under masks** is set to `graphical`.
- Analyzes content of library-linked blocks. By default, the input parameter **Follow links** is set to `on`.

See Also

- MAB guideline na_0017: Number of called function levels

Check usage of character vector inside MATLAB Function block

Check ID: `mathworks.maab.na_0021`

Check for use of character vectors in MATLAB Function blocks.

Description

Identifies character vectors that are used in MATLAB Function blocks.

MATLAB Functions store strings as character arrays. Due to lack of dynamic memory allocation, the arrays cannot be re-sized to accommodate a string value of different length. Strings are not a supported data type in Simulink, so MATLAB Function blocks cannot pass the string data outside the block.

This check requires a Simulink Check license.

Check Parameterization

This check does not include sub-checks because the MAB modeling guideline only provides one sub ID.

For reference, the MAB guideline sub ID(s) that are recommended for use by the NA-MAAB and JMAAB modeling standards organizations are:

- NA-MAAB — a
- JMAAB — a

You can use Model Advisor Configuration Editor to configure this check to include files with a `.m` extension in the analysis. To enable this feature, in the **Input Parameters** section, select **Check external .m files referenced in the model**.

Results and Recommended Actions

Condition	Recommended Action
MATLAB Function block contains a character vector.	Consider using enumerations instead of character vectors.

Capabilities and Limitations

- Does not flag strings in MATLAB
- Does not flag character vectors that are hard-coded into the class definition.
- Runs on library models.
- Analyzes content in masked subsystems. By default, the input parameter **Look under masks** is set to `graphical`.
- Analyzes content of library-linked blocks. By default, the input parameter **Follow links** is set to `on`.

See Also

- MAB guideline `na_0021`: Strings in MATLAB functions
- JMAAB guideline `na_0021`

Check usage of recommended patterns for Switch/Case statements

Check ID: `mathworks.maab.na_0022`

Check for use of non-constant variables in Switch/Case statements.

Description

In generated code, MATLAB Function block inputs are passed as functional arguments. This check evaluates the Switch/Case statements in the generated code to determine if non-constant values are being used in the Case argument.

This check requires a Simulink Check license.

Check Parameterization

This Model Advisor check is not applicable for JMAAB modeling guidelines.

This check does not include sub-checks

For reference, the MAB guideline sub ID(s) that are recommended for use by the NA-MAAB and JMAAB modeling standards organizations are:

- NA-MAAB — a
- JMAAB — Not supported

You can use Model Advisor Configuration Editor to configure this check to include files with a `.m` extension in the analysis. To enable this feature, in the **Input Parameters** section, select **Check external .m files referenced in the model**.

Results and Recommended Actions

Condition	Recommended Action
Non-constant variables are used in the Switch/Case statement.	Consider defining the input variable as a constant.

Capabilities and Limitations

- Runs on library models.
- Analyzes content in masked subsystems. By default, the input parameter **Look under masks** is set to `graphical`.
- Analyzes content of library-linked blocks. By default, the input parameter **Follow links** is set to `on`.

See Also

- MAB guideline: `na_0022`: Recommended patterns for Switch/Case statements

Check for use of C-style comment symbols

Check ID: `mathworks.jmaab.jc_0801`

Description

Identifies the usage of C-style (`/*` and `*/`) comments in CGT files and MPT objects.

Available with Simulink Check.

Check Parameterization

This check does not include sub-checks because the MAB modeling guideline only provides one sub ID.

For reference, the MAB guideline sub ID(s) that are recommended for use by the NA-MAAB and JMAAB modeling standards organizations are:

- NA-MAAB — a

- JMAAB — a

Results and Recommended Actions

Condition	Recommended Action
One or more entities use C-style comments.	Consider removing C-style comments in CGT files and MPT objects.

Capabilities and Limitations

- Does not run on library models.
- Does not analyze content of library linked blocks.
- Does not analyze content in masked subsystems.
- Does not allow exclusions of blocks or charts.

See Also

- MAB guideline jc_0801: Prohibited use of the /* and */ comment symbols
- JMAAB guideline jc_0801

Check usage of graphical functions in Stateflow

Check ID: mathworks.jmaab.jc_0804

Description

Identifies the graphical function calls made inside the graphical function.

This check requires Simulink Check and Stateflow licenses.

Check Parameterization

This check does not include sub-checks because the MAB modeling guideline only provides one sub ID.

For reference, the MAB guideline sub ID(s) that are recommended for use by the NA-MAAB and JMAAB modeling standards organizations are:

- NA-MAAB — a
- JMAAB — a

Results and Recommended Actions

Condition	Recommended Action
One or more calls to graphical functions are made inside a graphical function.	Remove calls to graphical functions made inside the graphical function.

Capabilities and Limitations

- Does not run on library models.
- Allows exclusions of blocks or charts.

- Analyzes content of library-linked blocks. By default, the input parameter **Follow links** is set to on.
- Analyzes content in masked subsystems. By default, the input parameter **Look under masks** is set to all.

See Also

- jc_0804: Prohibited use of recursive calls with graphical functions
- JMAAB guideline jc_0804

Check for division by zero in Simulink

Check ID: mathworks.jmaab.jc_0794

Description

Identifies division operations in Simulink that result in a divide-by-zero error.

This check requires Simulink Check, and Simulink Design Verifier (SLDV) licenses.

Check Parameterization

This check does not include sub-checks because the MAB modeling guideline only provides one sub ID.

For reference, the MAB guideline sub ID(s) that are recommended for use by the NA-MAAB and JMAAB modeling standards organizations are:

- NA-MAAB — a
- JMAAB — a

Results and Recommended Actions

Condition	Recommended Action
One or more blocks performing division can result in a divide-by-zero error.	Remodel to avoid a divide-by-zero error.

Capabilities and Limitations

- Does not run on library models.
- Allows exclusions of blocks or charts.
- Analyzes content of library-linked blocks. By default, the input parameter **Follow links** is set to on.
- Analyzes content in masked subsystems. By default, the input parameter **Look under masks** is set to graphical.

See Also

- MAB guideline jc_0794: Division in Simulink
- JMAAB guideline jc_0794

Check lines of code in MATLAB Functions

Check ID: mathworks.jmaab.na_0016

Description

Identify MATLAB Functions with high number of effective lines of code.

This check requires a Simulink Check license.

Check Parameterization

This check does not include sub-checks because the MAB modeling guideline only provides one sub ID.

For reference, the MAB guideline sub ID(s) that are recommended for use by the NA-MAAB and JMAAB modeling standards organizations are:

- NA-MAAB — a
- JMAAB — Not Supported

Under **Input Parameters**, select **Check external .m files referenced in the model** to include files with a .m extension in the analysis.

Results and Recommended Actions

Condition	Recommended Action
One or more MATLAB Functions have many effective lines of code.	Remodel to reduce the number effective lines of code per MATLAB Function.

Capabilities and Limitations

- Runs on library models.
- Analyzes content of library linked blocks. By default, the input parameter **Follow links** is set to on.
- Analyzes content in masked subsystems. By default, the input parameter **Look under masks** is set to all.
- Allows exclusions of blocks or charts.

See Also

- MAB guideline na_0016: Source lines of MATLAB Functions

Check nested conditions in MATLAB Functions

Check ID: mathworks.jmaab.na_0018

Description

Checks for number of inputs/outputs to a Variant Subsystem.

This check requires a Simulink Check license.

Check Parameterization

This check does not include sub-checks because the MAB modeling guideline only provides one sub ID.

For reference, the MAB guideline sub ID(s) that are recommended for use by the NA-MAAB and JMAAB modeling standards organizations are:

- NA-MAAB — a
- JMAAB — Not Supported

Under **Input Parameters**, select **Check external .m files referenced in the model** to include files with a .m extension in the analysis.

Results and Recommended Actions

Condition	Recommended Action
One or more MATLAB Function found with deeply nested if/else and case statements.	Remodel to reduce the number of deeply nested conditional statements.

Capabilities and Limitations

- Runs on library models.
- Analyzes content of library linked blocks. By default, the input parameter **Follow links** is set to on.
- Analyzes content in masked subsystems. By default, the input parameter **Look under masks** is set to all.
- Allows exclusions of blocks or charts.

See Also

- MAB guideline na_0018: Number of nested if/else and case statement

DO-254 Checks

In this section...
“Modeling Standards for DO-254 Overview” on page 2-258
“Modeling Standards for DO-254” on page 2-258

Modeling Standards for DO-254 Overview

DO-254 checks facilitate designing and troubleshooting models from which code is generated for applications that must meet safety or mission-critical requirements.

The Model Advisor performs a checkout of the Simulink Check license when you run the DO-254 checks.

These checks are qualified by the DO Qualification Kit for use in projects involving the DO-254 standard and related standards.

See Also

- “Simulink Checks”
- “Simulink Coder Checks” (Simulink Coder)
- Radio Technical Commission for Aeronautics (RTCA) for information on the DO-178C Software Considerations in Airborne Systems and Equipment Certification and related standards

Modeling Standards for DO-254

MISRA C:2012 Checks

In this section...

“See Also” on page 2-259
 “Check usage of Assignment blocks” on page 2-259
 “Check for blocks not recommended for MISRA C:2012” on page 2-260
 “Check for unsupported block names” on page 2-262
 “Check configuration parameters for MISRA C:2012” on page 2-262
 “Check for equality and inequality operations on floating-point values” on page 2-265
 “Check for bitwise operations on signed integers” on page 2-266
 “Check for recursive function calls” on page 2-267
 “Check for switch case expressions without a default case” on page 2-268
 “Check for blocks not recommended for C/C++ production code deployment” on page 2-268
 “Check for missing error ports for AUTOSAR receiver interfaces” on page 2-269
 “Check for missing const qualifiers in model functions” on page 2-271
 “Check integer word length” on page 2-271
 “Check bus object names that are used as bus element names” on page 2-272

You can check that your model or subsystem has a likelihood of generating MISRA C:2012 compliant code.

See Also

- “Run Model Advisor Checks and Review Results”
- “Qualified Model Advisor Checks” (IEC Certification Kit)
- “Qualified Model Advisor Checks” (DO Qualification Kit)

Check usage of Assignment blocks

Check ID: `mathworks.misra.AssignmentBlocks`

Identify Assignment blocks that do not have block parameter **Action if any output element is not assigned** set to **Error** or **Warning**.

Description

This check applies to the Assignment block that is available in the Simulink block library under **Simulink > Math Operations**.

Following the recommendations of this check increases the likelihood of generating MISRA C:2012 compliant code for embedded applications, as well as code that complies with the CERT C, CWE, ISO/IEC TS 17961 standards.

Available with Embedded Coder and Simulink Check.

Results and Recommended Actions

Condition	Recommended Action
The model or subsystem might contain Assignment blocks with incomplete array initialization that do not have block parameter Action if any output element is not assigned set to Error or Warning .	Set block parameter Action if any output element is not assigned to one of the recommended values: <ul style="list-style-type: none"> • Error, if Assignment block is not in an Iterator subsystem. • Warning, if Assignment block is in an Iterator subsystem.

Capabilities and Limitations

- Runs on library models.
- Analyzes content of library linked blocks.
- Analyzes content in masked subsystems.
- If you have a Simulink Check license, allows exclusions of blocks and charts.

Edit-Time Checking

This check is supported by edit-time checking. However, the following check condition is not supported because edit-time checking is unable to determine whether the Assignment block is in an Iterator subsystem.

Set block parameter **Action if any output element is not assigned** to one of the recommended values:

- **Error**, if Assignment block is not in an Iterator subsystem.
- **Warning**, if Assignment block is in an Iterator subsystem.

See Also

- MISRA C:2012, Rule 9.1
- ISO/IEC TS 17961: 2013, uninitref
- CERT C, EXP33-C
- CWE, CWE-908
- "hisl_0029: Usage of Assignment blocks"
- "MISRA C" (Embedded Coder)
- "MISRA C:2012 Compliance Considerations"

Check for blocks not recommended for MISRA C:2012

Check ID: `mathworks.misra.BlkSupport`

Identify blocks that are not supported or recommended for MISRA C:2012 compliant code generation.

Description

Following the recommendations of this check increases the likelihood of generating MISRA C:2012 compliant code for embedded applications.

Available with Embedded Coder and Simulink Check.

Results and Recommended Actions

Condition	Recommended Action
Lookup Table blocks using cubic spline interpolation or extrapolation methods were found in the model or subsystem. Specific blocks are: <ul style="list-style-type: none"> • 1-D Lookup Table • 2-D Lookup Table • n-D Lookup Table 	Consider other interpolation and extrapolation methods for the Lookup Table blocks.
Deprecated Lookup Table blocks were found in the model or subsystem. Specific blocks are: <ul style="list-style-type: none"> • Lookup Table • Lookup Table (2-D) 	Consider replacing the deprecated Lookup Table blocks.
S-Function Builder blocks were found in the model or subsystem.	Consider replacing the S-Function Builder blocks with blocks recommended for production.
From Workspace blocks were found in the model or subsystem	Consider replacing the From Workspace blocks with blocks recommended for production.
String blocks were found in the model or subsystem. Specific blocks are: <ul style="list-style-type: none"> • Compose String • Scan String • String to Single • String to Double • To String 	Consider replacing the String blocks with blocks recommended for production.

Capabilities and Limitations

You can:

- Run this check on your library models.
- Analyzes content of library linked blocks.
- Analyzes content in masked subsystems.
- Exclude blocks and charts from this check if you have a Simulink Check license.

Edit-Time Checking

This check is supported by edit-time checking.

See Also

- “hisl_0020: Blocks not recommended for MISRA C:2012 compliance”
- “MISRA C” (Embedded Coder)
- “MISRA C:2012 Compliance Considerations”
- “Model Advisor Exclusion Overview”

Check for unsupported block names

Check ID: `mathworks.misra.BlockNames`

Identify block names containing /.

Description

Following the recommendations of this check increases the likelihood of generating MISRA C:2012 compliant code for embedded applications.

Available with Embedded Coder and Simulink Check.

Results and Recommended Actions

Condition	Recommended Action
Block names containing / were found in the model or subsystem.	Remove / from the block name.

Capabilities and Limitations

- Runs on library models.
- Analyzes content of library linked blocks.
- Analyzes content in masked subsystems.
- If you have a Simulink Check license, allows exclusions of blocks and charts.

Edit-Time Checking

This check is supported by edit-time checking.

See Also

- MISRA C:2012, Rule 3.1
- “MISRA C” (Embedded Coder)
- “MISRA C:2012 Compliance Considerations”

Check configuration parameters for MISRA C:2012

Check ID: `mathworks.misra.CodeGenSettings`

Identify configuration parameters that can impact MISRA C:2012 compliant code generation.

Description

Following the recommendations of this check increases the likelihood of generating MISRA C:2012 compliant code for embedded applications.

Available with Embedded Coder and Simulink Check.

Results and Recommended Actions

Condition	Recommended Action
Math and Data Types	
Configuration parameter Use division for fixed-point net slope computation is not set to On or Use division for reciprocals of integers only.	Set Use division for fixed-point net slope computation to On or Use division for reciprocals of integers only.
Configuration parameter Inf or NaN block output is set to None or error and Support non-finite numbers is set to on. Configuration parameter Inf or NaN block output is set to None and Support non-finite numbers is set to off.	When Support non-finite numbers is: <ul style="list-style-type: none"> on, set Inf or NaN block output to warning off, set Inf or NaN block output to warning or error
Configuration parameter Model Verification block enabling is set to Use local settings or Enable All.	Set Model Verification block enabling to Disable All.
Configuration parameter Undirected event broadcasts is set to none or warning.	Set Undirected event broadcasts to error.
Configuration parameter Wrap on overflow is set to None	Set configuration parameter Wrap on overflow to warning or error.
Hardware Implementation	
Configuration parameter Production hardware signed integer division rounds to is set to Undefined	Set Production hardware signed integer division rounds to to Zero or Floor.
Configuration parameter Shift right on a signed integer as arithmetic shift is selected.	Clear Shift right on a signed integer as arithmetic shift .
Simulation Target	
Configuration parameter Compile-time recursion limit for MATLAB functions is set to a value other than 0.	Set Compile-time recursion limit for MATLAB functions to 0.
Configuration parameter Dynamic memory allocation in MATLAB functions is selected.	Clear Dynamic memory allocation in MATLAB functions .
Configuration parameter Enable run-time recursion for MATLAB functions is selected.	Clear Enable run-time recursion for MATLAB functions .
Code Generation	

Condition	Recommended Action
Configuration parameter Bitfield declarator type specifier is set to <code>uchar_T</code> when any of these parameters are selected: <ul style="list-style-type: none"> • Pack Boolean data into bitfields • Use bitsets for storing state configuration • Use bitsets for storing Boolean data 	Set Bitfield declarator type specifier to <code>uint_T</code> .
Configuration parameter Casting Modes is not set to <code>Standards Compliant</code> .	Set Casting Modes to <code>Standards Compliant</code> .
Configuration parameter Code replacement library is not set to <code>None</code> or <code>AUTOSAR 4.0</code> .	Set Code replacement library to <code>None</code> or <code>AUTOSAR 4.0</code>
Configuration parameter External mode is selected.	Clear External mode .
Configuration parameter Generate shared constants is selected.	Clear Generate shared constants .
Configuration parameter Include comments is cleared.	Select Include comments .
Configuration parameter MAT-file logging is selected.	Clear MAT-file logging
For ERT-based target systems, configuration parameter MATLAB user comments is cleared.	Select MATLAB user comments .
A value for configuration parameter Maximum identifier length is not provided.	Set the value to the implementation-dependent limit. The default is 31.
Configuration parameter Parentheses level is not set to <code>Standards(Parentheses for Standards Compliance)</code> or <code>Maximum(Specify precedence with parentheses)</code> .	Set Parentheses level to <code>Standards(Parentheses for Standards Compliance)</code> or <code>Maximum(Specify precedence with parentheses)</code> .
For ERT-based target systems, configuration parameter Preserve static keyword in function declarations is cleared when File packaging format is set to <code>Compact</code> or <code>Compact (with separate data file)</code>	Select Preserve static keyword in function declarations .
Configuration parameter Replace multiplications by powers of two with signed bitwise shifts is selected.	Clear Replace multiplications by powers of two with signed bitwise shifts .
Configuration parameter Shared code placement is set to <code>Auto</code> .	Set Shared code placement to <code>Shared location</code>
For ERT-based target systems, configuration parameter Support continuous time is selected	Clear Support continuous time .
For ERT-based target systems, configuration parameter Support non-inlined S-functions is selected	Clear Support non-inlined S-functions .

Condition	Recommended Action
Configuration parameter System-generated identifiers is set to Classic .	Set System-generated identifiers to Shortened .
Configuration parameter System target file is set to a GRT-based target.	Set System target file to an ERT-based target.
Configuration parameter Use dynamic memory allocation for model initialization is selected when Code Interface Packaging is set to Reusable Function .	Clear Use dynamic memory allocation for model initialization . Note Select only when Code Interface Packaging is set to Reusable Function .

Action Results

Clicking **Modify All** changes the parameter values to the recommended values.

Note When you click **Modify All** for models with a GRT-based target, the Model Advisor does not update the **System target file** configuration parameter to an ERT-based system.

Parameter subchecks depend on the results of the parameter noted with **D** in the results table. When the result is *D-Warning*, the **Current Value** column in the results table states *Prerequisite constraint not met* for the subchecks. After you change the parameter, rerun the check.

Note Some subchecks are specific to configuration parameters for ERT-based systems. These parameters are not updated when you click **Modify All** unless you change the model to an ERT-based system.

Capabilities and Limitations

This check does not review referenced models.

See Also

- hisl_0060: Configuration parameters that improve MISRA C:2012 compliance
- “MISRA C” (Embedded Coder)
- “MISRA C:2012 Compliance Considerations”

Check for equality and inequality operations on floating-point values

Check ID: `mathworks.misra.CompareFloatEquality`

Identify equality and inequality operations on floating-point values.

Description

The check flags sources causing equality or inequality operations on floating-point values.

Following the recommendations of this check increases the likelihood of generating MISRA C:2012 compliant code for embedded applications, as well as code that complies with the CERT C and CWE standards.

The check does not flag blocks with equality or inequality operations on floating-point values if they are justified with a Polyspace® annotation. When you run the check, the **Blocks with justification** table lists blocks with equality or inequality operations that have a justification.

Available with Embedded Coder and Simulink Check.

Note Stateflow license is needed if the model contains Stateflow elements.

Results and Recommended Actions

Condition	Recommended Action
Model object has an equality or inequality operation on a floating-point value.	Consider using non-floating-point values for equality or inequality operations.

Capabilities and Limitations

You can:

- Exclude blocks and charts from this check if you have a Simulink Check license.

See Also

- MISRA C:2012, Dir 1.1
- CERT C, FLP02-C
- CWE, CWE-1077
- “Annotate Code and Hide Known or Acceptable Results” (Polyspace Bug Finder)
- “MISRA C” (Embedded Coder)

Check for bitwise operations on signed integers

Check ID: `mathworks.misra.CompliantCGIRConstructions`

Identify Simulink blocks that contain bitwise operations on signed integers.

Description

Following the recommendations of this check increases the likelihood of generating MISRA C:2012 compliant code for embedded applications, as well as code that complies with the CERT C and CWE standards.

Available with Embedded Coder and Simulink Check.

Note Stateflow license is needed if the model contains Stateflow elements.

Results and Recommended Actions

Condition	Recommended Action
The model has blocks that contain bitwise operations on signed integers.	Consider using unsigned integers for bitwise operations.

Capabilities and Limitations

You can:

- The check assumes that code is generated for the whole model. When code is generated by a subsystem build or export functions, the check can produce incorrect results.
- Exclude blocks and charts from this check if you have a Simulink Check license.

See Also

- MISRA C:2012, Rule 10.1
- CERT C, INT13-C
- CWE, CWE-682
- “hisl_0060: Configuration parameters that improve MISRA C:2012 compliance”
- “MISRA C:2012 Compliance Considerations”
- “MISRA C” (Embedded Coder)

Check for recursive function calls

Check ID: `mathworks.misra.RecursionCompliance`

Identify recursive function calls in Stateflow charts.

Description

Following the recommendations of this check increases the likelihood of generating MISRA C:2012 compliant code for embedded applications. The check flags charts that have recursive function calls.

Available with Embedded Coder and Simulink Check.

Note Stateflow license is needed if the model contains Stateflow elements.

Results and Recommended Actions

Condition	Recommended Action
Chart has a recursive function call.	Remove recursive function call.

See Also

- MISRA C:2012, Rule 17.2
- “Avoid Unwanted Recursion in a Chart” (Stateflow)

Check for switch case expressions without a default case

Check ID: `mathworks.misra.SwitchDefault`

Identify switch case expressions that do not have a default case.

Description

The check flags model objects that have switch case expressions without a default case.

Following the recommendations of this check increases the likelihood of generating MISRA C:2012 compliant code for embedded applications, as well as code that complies with the CERT C, CWE, ISO/IEC TS 17961 standards.

The check does not flag blocks without default cases if they are justified with a Polyspace annotation. When you run the check, the **Blocks with justification** table lists blocks without default cases that have a justification.

Available with Embedded Coder and Simulink Check.

Results and Recommended Actions

Condition	Recommended Action
Model object has a switch case expression without a default case.	For Switch Case blocks, consider selecting block parameter Show default case to explicitly specify a default case.

Capabilities and Limitations

You can:

- Run this check on your library models.
- Exclude blocks and charts from this check if you have a Simulink Check license.

Edit-Time Checking

This check is supported by edit-time checking.

See Also

- MISRA C:2012, Rule 16.4
- ISO/IEC TS 17961: 2013, swtchdflt
- CERT C, MSC01-C
- CWE, CWE-478
- “Annotate Code and Hide Known or Acceptable Results” (Polyspace Bug Finder)
- “MISRA C” (Embedded Coder)

Check for blocks not recommended for C/C++ production code deployment

Check ID: `mathworks.codegen.PCGSupport`

Identify blocks not supported by code generation or not recommended for C/C++ production code deployment.

Description

This check partially identifies model constructs that are not recommended for C/C++ production code generation. For Simulink Coder and Embedded Coder, these model construct identities appear in tables of Simulink Block Support (Simulink Coder).

In some instances, this check flags blocks that are supported for code generation. For these blocks, you should review the footnote information that is provided in the support notes and adhere to the recommended action provided by the Model Advisor.

Following the recommendations of this check increases the likelihood of generating code that complies with the CERT C, CWE, and ISO/IEC TS 17961 standards.

Available with Embedded Coder and Simulink Check.

Results and Recommended Actions

Condition	Recommended Action
The model or subsystem contains blocks that should not be used for production code deployment.	Consider replacing the blocks listed in the results. Click an element from the list of questionable items to locate condition.
The model or subsystem contains blocks that are supported but not recommended for production code generation.	Review the support notes and adhere to the recommended action provided by the Model Advisor.

Capabilities and Limitations

You can:

- Run this check on your library models.
- Analyze content of library linked blocks.
- Analyze content in masked subsystems.
- Exclude blocks and charts if you have a Simulink Check license.

Edit-Time Checking

This check is supported by edit-time checking.

See Also

- “Use Blocks and Products Supported for Code Generation” (Simulink Coder)
- “Model Advisor Exclusion Overview”
- Secure Coding Standards (Embedded Coder) “Secure Coding” (Embedded Coder)

Check for missing error ports for AUTOSAR receiver interfaces

Check ID: `mathworks.misra.AutosarReceiverInterface`

Identify AUTOSAR receiver interface inports that do not have matching error ports.

Description

Following the recommendations of this check increases the likelihood of generating MISRA C:2012 compliant code for embedded applications. The check flags AUTOSAR receiver interfaces inports that are missing error ports. The following table identifies the AUTOSAR data access mode types for receiver interface ports that are flagged by the check when the corresponding error port is missing.

AUTOSAR Data Access Mode Type	Flagged by Check?
ImplicitReceive	Yes
ExplicitReceive	Yes
QueuedExplicitReceive	No
ErrorStatus	No
ModeReceive	No
IsUpdated	No
EndToEndRead	Yes
ExplicitReceiveByVal	No
otherwise	No

The check does not flag missing error ports when they are justified with a Polyspace annotation. When you run the check, the **Blocks with justification** table lists the missing error ports that have a justification.

Available with Embedded Coder and Simulink Check.

Results and Recommended Actions

Condition	Recommended Action
AUTOSAR receiver interface inport does not have a matching error port.	Add missing error port and map to the corresponding AUTOSAR receiver interface inport.
AUTOSAR receiver interface ports do not have a matching error port when data access mode is ImplicitReceive, ExplicitReceive, or EndToEndRead.	Add missing error port and map to the corresponding AUTOSAR receiver interface inport.

Capabilities and Limitations

You can:

- Analyzes top layer/root level models.
- Exclude blocks and charts from this check if you have a Simulink Check license.

See Also

- MISRA C: 2012, Directive 4.7
- “MISRA C” (Embedded Coder)
- “Model Advisor Exclusion Overview”
- “Annotate Code and Hide Known or Acceptable Results” (Polyspace Bug Finder)

- “Configure AUTOSAR Elements and Properties” (AUTOSAR Blockset)
- “AUTOSAR Component Configuration” (AUTOSAR Blockset)

Check for missing const qualifiers in model functions

Check ID: `mathworks.misra.ModelFunctionInterface`

Identify missing const qualifiers in input data pointers.

Description

Following the recommendations of this check increases the likelihood of generating MISRA C:2012 compliant code for embedded applications. The check flags input data pointers that do not have a const qualifier.

Available with Embedded Coder and Simulink Check.

Results and Recommended Actions

Condition	Recommended Action
A const qualifier is not defined for the input data pointer.	Consider adding a const qualifier to the input data pointer.

See Also

- MISRA C:2012, Rule 8.13
- “MISRA C” (Embedded Coder)

Check integer word length

Check ID: `mathworks.misra.IntegerWordLengths`

Identify integer word lengths that do not comply with hardware implementation settings

Description

The check flags integers whose word lengths exceed the number of bits permitted via the hardware implementation settings.

Following the recommendations of this check increases the likelihood of generating MISRA C:2012 compliant code for embedded applications, as well as code that complies with the CERT C and CWE standards.

Available with Embedded Coder and Simulink Check.

Note Stateflow license is needed if the model contains Stateflow elements.

Results and Recommended Actions

Condition	Recommended Action
Model object contains integer word lengths that are not compliant with hardware implementation settings.	Update the integer so its length does not exceed the permitted number of bits. You can view the permitted number of bits in the Configuration Parameters dialog box, on the Hardware Implementation > Device details pane.

Capabilities and Limitations

You can:

- Exclude blocks and charts from this check if you have a Simulink Check license.

See Also

- MISRA C:2012, Rule 10.1
- CERT C, INT13-C
- CWE, CWE-682
- “MISRA C” (Embedded Coder)
- “Model Advisor Exclusion Overview”

Check bus object names that are used as bus element names

Check ID: `mathworks.misra.BusElementNames`

Identify bus object names that are used as bus element names.

Description

Using this check increases the likelihood of generating code for embedded applications that is compliant with MISRA C:2012. The check flags instances where a Simulink.Bus object name is used as the Simulink.Bus element name.

Available with Embedded Coder and Simulink Check.

Results and Recommended Actions

Condition	Recommended Action
A bus object name is being used as a bus element name.	Change either the flagged bus object name or the bus element name so that they are not identical.

See Also

- MISRA C:2012, Rule 5.6
- MISRA AC AGC, Rule 5.3
- “MISRA C” (Embedded Coder)

Secure Coding Checks for CERT C, CWE, and ISO/IEC TS 17961 Standards

In this section...

“See Also” on page 2-273

“Check configuration parameters for secure coding standards” on page 2-273

“Check for blocks not recommended for C/C++ production code deployment” on page 2-275

“Check for blocks not recommended for secure coding standards” on page 2-276

“Check usage of Assignment blocks” on page 2-277

“Check for switch case expressions without a default case” on page 2-279

“Check for bitwise operations on signed integers” on page 2-280

“Check for equality and inequality operations on floating-point values” on page 2-280

“Check integer word length” on page 2-281

“Detect Dead Logic” on page 2-282

“Detect Integer Overflow” on page 2-284

“Detect Division by Zero” on page 2-285

“Detect Out Of Bound Array Access” on page 2-286

“Detect Specified Minimum and Maximum Value Violations” on page 2-287

These checks are used to validate that code generated by Embedded Coder complies with the CERT C, CWE, and ISO/IEC TS 17961 (Embedded Coder) secure coding standards.

See Also

- “Run Model Advisor Checks and Review Results”

Check configuration parameters for secure coding standards

Check ID: `mathworks.security.CodeGenSettings`

Identify configuration parameters that might impact compliance with secure coding standards.

Description

Following the recommendations of this check increases the likelihood of generating code that complies with CERT C, CWE, ISO/IEC TS 17961 secure coding standards.

Available with Embedded Coder and Simulink Check.

Results and Recommended Actions

Condition	Recommended Action
Diagnostics	

Condition	Recommended Action
Configuration parameter Inf or NaN block output is set to None or error and Support non-finite numbers is set to on.	When Support non-finite numbers is: <ul style="list-style-type: none"> on, set Inf or NaN block output to warning. off, set Inf or NaN block output to warning or error.
Configuration parameter Inf or NaN block output is set to None and Support non-finite numbers is set to off.	
Configuration parameter Model Verification block enabling is set to Use local settings or Enable All.	Set Model Verification block enabling to Disable All.
Configuration parameter Undirected event broadcasts is set to none or warning.	Set Undirected event broadcasts to error.
Configuration parameter Wrap on overflow is set to none.	Set Wrap on overflow to warning or error.
Hardware Implementation	
Configuration parameter Production hardware signed integer division rounds to is set to Undefined.	Set Production hardware signed integer division rounds to to Zero or Floor.
Configuration parameter Shift right on a signed integer as arithmetic shift is selected.	Clear Shift right on a signed integer as arithmetic shift .
Simulation Target	
Configuration parameter Compile-time recursion limit for MATLAB functions is set to a value other than 0.	Set Compile-time recursion limit for MATLAB functions to 0.
Configuration parameter Dynamic memory allocation in MATLAB functions is selected.	Clear Dynamic memory allocation in MATLAB functions .
Configuration parameter Enable run-time recursion for MATLAB functions is selected.	Clear Enable run-time recursion for MATLAB functions .
Code Generation	
Configuration parameter Code replacement library is not set to None or AUTOSAR 4.0.	Set Code replacement library to None or AUTOSAR 4.0.
Configuration parameter External mode is selected.	Clear External mode .
Configuration parameter Include comments is cleared.	Select Include comments .
Configuration parameter MAT-file logging is selected.	Clear MAT-file logging .
For ERT-based target systems, configuration parameter MATLAB user comments is cleared.	Select MATLAB user comments .
Configuration parameter Replace multiplications by powers of two with signed bitwise shifts is selected.	Clear Replace multiplications by powers of two with signed bitwise shifts .

Condition	Recommended Action
For ERT-based target systems, configuration parameter Support continuous time is selected	Clear Support continuous time .
For ERT-based target systems, configuration parameter Support non-inlined S-functions is selected	Clear Support non-inlined S-functions .
Configuration parameter System target file is set to a GRT-based target.	Set System target file to an ERT-based target.
Configuration parameter Use dynamic memory allocation for model initialization is selected.	Clear Use dynamic memory allocation for model initialization .
	Note Select only when Code Interface Packaging is set to Reusable Function.

Action Results

Clicking **Modify All** changes the parameter values to the recommended values.

Note When you click **Modify All** for models with a GRT-based target, the Model Advisor does not update the **System target file** configuration parameter to an ERT-based system.

Parameter subchecks depend on the results of the parameter noted with **D** in the results table. When the result is *D-Warning*, the **Current Value** column in the results table states *Prerequisite constraint not met* for the subchecks. After you change the parameter, rerun the check.

Note Some subchecks are specific to configuration parameters for ERT-based systems. These parameters are not updated when you click **Modify All** unless you change the model to an ERT-based system.

See Also

“MISRA C” (Embedded Coder)

Check for blocks not recommended for C/C++ production code deployment

Check ID: `mathworks.codegen.PCGSupport`

Identify blocks not supported by code generation or not recommended for C/C++ production code deployment.

Description

This check partially identifies model constructs that are not recommended for C/C++ production code generation. For Simulink Coder and Embedded Coder, these model construct identities appear in tables of Simulink Block Support (Simulink Coder).

In some instances, this check flags blocks that are supported for code generation. For these blocks, you should review the footnote information that is provided in the support notes and adhere to the recommended action provided by the Model Advisor.

Following the recommendations of this check increases the likelihood of generating code that complies with the CERT C, CWE, and ISO/IEC TS 17961 standards.

Available with Embedded Coder and Simulink Check.

Results and Recommended Actions

Condition	Recommended Action
The model or subsystem contains blocks that should not be used for production code deployment.	Consider replacing the blocks listed in the results. Click an element from the list of questionable items to locate condition.
The model or subsystem contains blocks that are supported but not recommended for production code generation.	Review the support notes and adhere to the recommended action provided by the Model Advisor.

Capabilities and Limitations

You can:

- Run this check on your library models.
- Analyze content of library linked blocks.
- Analyze content in masked subsystems.
- Exclude blocks and charts if you have a Simulink Check license.

Edit-Time Checking

This check is supported by edit-time checking.

See Also

- “Use Blocks and Products Supported for Code Generation” (Simulink Coder)
- “Model Advisor Exclusion Overview”
- Secure Coding Standards (Embedded Coder) “Secure Coding” (Embedded Coder)

Check for blocks not recommended for secure coding standards

Check ID: `mathworks.security.BlockSupport`

Identify blocks not recommended for compliance with secure coding standards.

Description

Following the recommendations of this check increases the likelihood of generating code that complies with CERT C, CWE, ISO/IEC TS 17961 secure coding standards.

Available with Embedded Coder and Simulink Check.

Results and Recommended Actions

Condition	Recommended Action
Lookup Table blocks using cubic spline interpolation or extrapolation methods were found in the model or subsystem. Specific blocks are: <ul style="list-style-type: none"> • 1-D Lookup Table • 2-D Lookup Table • n-D Lookup Table 	Consider other interpolation and extrapolation methods for the Lookup Table blocks.
Deprecated Lookup Table blocks were found in the model or subsystem. Specific blocks are: <ul style="list-style-type: none"> • Lookup Table • Lookup Table (2-D) 	Consider replacing the deprecated Lookup Table blocks.
S-Function Builder blocks were found in the model or subsystem.	Consider replacing the S-Function Builder blocks with blocks recommended for production.
From Workspace blocks were found in the model or subsystem	Consider replacing the From Workspace blocks with blocks recommended for production.
String blocks were found in the model or subsystem. Specific blocks are: <ul style="list-style-type: none"> • Compose String • Scan String • String to Single • String to Double • To String 	Consider replacing the String blocks with blocks recommended for production.

Capabilities and Limitations

You can:

- Run this check on your library models.
- Exclude blocks and charts from this check if you have a Simulink Check license.

Edit-Time Checking

This check is supported by edit-time checking.

See Also

- “Model Advisor Exclusion Overview”
- “MISRA C” (Embedded Coder)

Check usage of Assignment blocks

Check ID: `mathworks.misra.AssignmentBlocks`

Identify Assignment blocks that do not have block parameter **Action if any output element is not assigned** set to **Error** or **Warning**.

Description

This check applies to the Assignment block that is available in the Simulink block library under **Simulink > Math Operations**.

Following the recommendations of this check increases the likelihood of generating MISRA C:2012 compliant code for embedded applications, as well as code that complies with the CERT C, CWE, ISO/IEC TS 17961 standards.

Available with Embedded Coder and Simulink Check.

Results and Recommended Actions

Condition	Recommended Action
The model or subsystem might contain Assignment blocks with incomplete array initialization that do not have block parameter Action if any output element is not assigned set to Error or Warning .	Set block parameter Action if any output element is not assigned to one of the recommended values: <ul style="list-style-type: none"> • Error, if Assignment block is not in an Iterator subsystem. • Warning, if Assignment block is in an Iterator subsystem.

Capabilities and Limitations

- Runs on library models.
- Analyzes content of library linked blocks.
- Analyzes content in masked subsystems.
- If you have a Simulink Check license, allows exclusions of blocks and charts.

Edit-Time Checking

This check is supported by edit-time checking. However, the following check condition is not supported because edit-time checking is unable to determine whether the Assignment block is in an Iterator subsystem.

Set block parameter **Action if any output element is not assigned** to one of the recommended values:

- **Error**, if Assignment block is not in an Iterator subsystem.
- **Warning**, if Assignment block is in an Iterator subsystem.

See Also

- MISRA C:2012, Rule 9.1
- ISO/IEC TS 17961: 2013, uninitref
- CERT C, EXP33-C
- CWE, CWE-908

- “hisl_0029: Usage of Assignment blocks”
- “MISRA C” (Embedded Coder)
- “MISRA C:2012 Compliance Considerations”

Check for switch case expressions without a default case

Check ID: `mathworks.misra.SwitchDefault`

Identify switch case expressions that do not have a default case.

Description

The check flags model objects that have switch case expressions without a default case.

Following the recommendations of this check increases the likelihood of generating MISRA C:2012 compliant code for embedded applications, as well as code that complies with the CERT C, CWE, ISO/IEC TS 17961 standards.

The check does not flag blocks without default cases if they are justified with a Polyspace annotation. When you run the check, the **Blocks with justification** table lists blocks without default cases that have a justification.

Available with Embedded Coder and Simulink Check.

Results and Recommended Actions

Condition	Recommended Action
Model object has a switch case expression without a default case.	For Switch Case blocks, consider selecting block parameter Show default case to explicitly specify a default case.

Capabilities and Limitations

You can:

- Run this check on your library models.
- Exclude blocks and charts from this check if you have a Simulink Check license.

Edit-Time Checking

This check is supported by edit-time checking.

See Also

- MISRA C:2012, Rule 16.4
- ISO/IEC TS 17961: 2013, swtchdflt
- CERT C, MSC01-C
- CWE, CWE-478
- “Annotate Code and Hide Known or Acceptable Results” (Polyspace Bug Finder)
- “MISRA C” (Embedded Coder)

Check for bitwise operations on signed integers

Check ID: `mathworks.misra.CompliantCGIRConstructions`

Identify Simulink blocks that contain bitwise operations on signed integers.

Description

Following the recommendations of this check increases the likelihood of generating MISRA C:2012 compliant code for embedded applications, as well as code that complies with the CERT C and CWE standards.

Available with Embedded Coder and Simulink Check.

Note Stateflow license is needed if the model contains Stateflow elements.

Results and Recommended Actions

Condition	Recommended Action
The model has blocks that contain bitwise operations on signed integers.	Consider using unsigned integers for bitwise operations.

Capabilities and Limitations

You can:

- The check assumes that code is generated for the whole model. When code is generated by a subsystem build or export functions, the check can produce incorrect results.
- Exclude blocks and charts from this check if you have a Simulink Check license.

See Also

- MISRA C:2012, Rule 10.1
- CERT C, INT13-C
- CWE, CWE-682
- “hisl_0060: Configuration parameters that improve MISRA C:2012 compliance”
- “MISRA C:2012 Compliance Considerations”
- “MISRA C” (Embedded Coder)

Check for equality and inequality operations on floating-point values

Check ID: `mathworks.misra.CompareFloatEquality`

Identify equality and inequality operations on floating-point values.

Description

The check flags sources causing equality or inequality operations on floating-point values.

Following the recommendations of this check increases the likelihood of generating MISRA C:2012 compliant code for embedded applications, as well as code that complies with the CERT C and CWE standards.

The check does not flag blocks with equality or inequality operations on floating-point values if they are justified with a Polyspace annotation. When you run the check, the **Blocks with justification** table lists blocks with equality or inequality operations that have a justification.

Available with Embedded Coder and Simulink Check.

Note Stateflow license is needed if the model contains Stateflow elements.

Results and Recommended Actions

Condition	Recommended Action
Model object has an equality or inequality operation on a floating-point value.	Consider using non-floating-point values for equality or inequality operations.

Capabilities and Limitations

You can:

- Exclude blocks and charts from this check if you have a Simulink Check license.

See Also

- MISRA C:2012, Dir 1.1
- CERT C, FLP02-C
- CWE, CWE-1077
- “Annotate Code and Hide Known or Acceptable Results” (Polyspace Bug Finder)
- “MISRA C” (Embedded Coder)

Check integer word length

Check ID: `mathworks.misra.IntegerWordLengths`

Identify integer word lengths that do not comply with hardware implementation settings

Description

The check flags integers whose word lengths exceed the number of bits permitted via the hardware implementation settings.

Following the recommendations of this check increases the likelihood of generating MISRA C:2012 compliant code for embedded applications, as well as code that complies with the CERT C and CWE standards.

Available with Embedded Coder and Simulink Check.

Note Stateflow license is needed if the model contains Stateflow elements.

Results and Recommended Actions

Condition	Recommended Action
Model object contains integer word lengths that are not compliant with hardware implementation settings.	Update the integer so its length does not exceed the permitted number of bits. You can view the permitted number of bits in the Configuration Parameters dialog box, on the Hardware Implementation > Device details pane.

Capabilities and Limitations

You can:

- Exclude blocks and charts from this check if you have a Simulink Check license.

See Also

- MISRA C:2012, Rule 10.1
- CERT C, INT13-C
- CWE, CWE-682
- “MISRA C” (Embedded Coder)
- “Model Advisor Exclusion Overview”

Detect Dead Logic

Check ID: `mathworks.sldv.deadlogic`

Identify logic that stays inactive during simulation.

Description

This check identifies portions of your model that stay inactive during simulation.

You can run a more detailed analysis that identifies both dead logic and active logic using Simulink Design Verifier design error detection. For more information, see “Detect Dead Logic Caused by an Incorrect Value” (Simulink Design Verifier).

Following the recommendations of this check increases the likelihood of generating MISRA C:2012 compliant code for embedded applications, as well as code that complies with the CERT C and CWE standards

Results and Recommended Actions

Result	Recommended Action
Failed, model incompatible	Resolve the model incompatibility. See: <ul style="list-style-type: none"> • “Supported and Unsupported Simulink Blocks in Simulink Design Verifier” (Simulink Design Verifier) • “Support Limitations for Model Blocks” (Simulink Design Verifier) • “Support Limitations for Simulink Software Features” (Simulink Design Verifier) • “Support Limitations for Stateflow Software Features” (Simulink Design Verifier) • “Support Limitations for MATLAB for Code Generation” (Simulink Design Verifier) Also see “Handle Incompatibilities with Automatic Stubbing” (Simulink Design Verifier).
Dead logic found in model	Simulink Design Verifier proved that these decision and condition outcomes cannot occur and are dead logic in the model. Dead logic can also be a side effect of specified constraints on parameters or specified minimum and maximum constraints on input ports. In rare cases, dead logic can result from approximations performed by Simulink Design Verifier. It is possible that there are objectives that this analysis did not decide. To extend the results of this analysis, use Simulink Design Verifier design error detection to also identify active logic. From the Simulink Editor, select Apps > Design Verifier > Settings . In the Configuration Parameters window, from Design Verifier > Design Error Detection pane, select both Dead logic and Identify active logic .
Dead logic not found in model	Simulink Design Verifier did not find dead logic in the model. It is possible that there are objectives that this analysis did not decide. To extend the results of this analysis, use Simulink Design Verifier design error detection to also identify active logic. From the Simulink Editor, select Apps > Design Verifier > Settings . In the Configuration Parameters window, from Design Verifier > Design Error Detection pane, select both Dead logic and Identify active logic .

See Also

- MISRA C:2012: Rule 2.1
- CERT C, MSC07-C
- CWE, CWE-561
- “Run Model Advisor Checks”
- “Secure Coding” (Embedded Coder)
- “Detect Dead Logic Caused by an Incorrect Value” (Simulink Design Verifier)
- “Design Verifier Pane: Design Error Detection” (Simulink Design Verifier)

Detect Integer Overflow

Check ID: `mathworks.sldv.integeroverflow`

Detects integer or fixed-point data overflow errors in your model

Description

This check identifies operations that exceed the data type range for integer or fixed-point operations.

Following the recommendations of this check increases the likelihood of generating MISRA C:2012 compliant code for embedded applications, as well as code that complies with the CERT C, CWE, ISO/IEC TS 17961 standards.

Results and Recommended Actions

Result	Recommended Action
Failed, model incompatible	Resolve the model incompatibility. See <ul style="list-style-type: none"> • “Supported and Unsupported Simulink Blocks in Simulink Design Verifier” (Simulink Design Verifier) • “Support Limitations for Model Blocks” (Simulink Design Verifier) • “Support Limitations for Simulink Software Features” (Simulink Design Verifier) • “Support Limitations for Stateflow Software Features” (Simulink Design Verifier) • “Support Limitations for MATLAB for Code Generation” (Simulink Design Verifier) Also see “Handle Incompatibilities with Automatic Stubbing” (Simulink Design Verifier).
Integer overflow found in model	To view the conditions that cause the integer overflow, create a harness model. When you simulate the harness, the inputs replicate the error. Click View test case in the Model Advisor report.

See Also

- MISRA C:2012: Directive 4.1
- ISO/IEC TS 17961: 2013, intoflow
- CERT C, INT30-C and INT32-C
- CWE, CWE-190
- “Secure Coding” (Embedded Coder)
- “Design Error Detection” (Simulink Design Verifier)
- “Detect Integer Overflow and Division-by-Zero Errors” (Simulink Design Verifier)

Detect Division by Zero

Check ID: `mathworks.sldv.divbyzero`

Detects division-by-zero errors in your model

Description

This check identifies operations in your model that cause division-by-zero errors.

Following the recommendations of this check increases the likelihood of generating MISRA C:2012 compliant code for embedded applications, as well as code that complies with the CERT C, CWE, ISO/IEC TS 17961 standards.

Results and Recommended Actions

Result	Recommended Action
Failed, model incompatible	<p>Resolve the model incompatibility. See</p> <ul style="list-style-type: none"> • “Supported and Unsupported Simulink Blocks in Simulink Design Verifier” (Simulink Design Verifier) • “Support Limitations for Model Blocks” (Simulink Design Verifier) • “Support Limitations for Simulink Software Features” (Simulink Design Verifier) • “Support Limitations for Stateflow Software Features” (Simulink Design Verifier) • “Support Limitations for MATLAB for Code Generation” (Simulink Design Verifier) <p>Also see “Handle Incompatibilities with Automatic Stubbing” (Simulink Design Verifier).</p>
Division by zero found in model	<p>To view the conditions that cause the division by zero, create a harness model. When you simulate the harness, the inputs replicate the error. Click View test case in the Model Advisor report.</p>

See Also

- MISRA C:2012: Directive 4.1
- ISO/IEC TS 17961: 2013, diverr
- CERT C, INT33-C and FLP03-C
- CWE, CWE-369
- “Secure Coding” (Embedded Coder)
- “Design Error Detection” (Simulink Design Verifier)
- “Detect Integer Overflow and Division-by-Zero Errors” (Simulink Design Verifier)

Detect Out Of Bound Array Access

Check ID: mathworks.sldv.arraybounds

Detects operations that access outside the bounds of an array index

Description

This check detects instances of out of bound array access in Simulink Design Verifier.

Following the recommendations of this check increases the likelihood of generating MISRA C:2012 compliant code for embedded applications, as well as code that complies with the CERT C, CWE, ISO/IEC TS 17961 standards.

Results and Recommended Actions

Result	Recommended Action
Failed, model incompatible	Resolve the model incompatibility. See <ul style="list-style-type: none"> • “Supported and Unsupported Simulink Blocks in Simulink Design Verifier” (Simulink Design Verifier) • “Support Limitations for Model Blocks” (Simulink Design Verifier) • “Support Limitations for Simulink Software Features” (Simulink Design Verifier) • “Support Limitations for Stateflow Software Features” (Simulink Design Verifier) • “Support Limitations for MATLAB for Code Generation” (Simulink Design Verifier) Also see “Handle Incompatibilities with Automatic Stubbing” (Simulink Design Verifier).
Out of bound array access found in model	To view the conditions that cause the out of bound array access, create a harness model. When you simulate the harness, the inputs replicate the error. Click View test case in the Model Advisor report.

See Also

- MISRA C:2012: Rule 18.1
- ISO/IEC TS 17961: 2013, invptr
- CERT C, ARR30-C
- CWE, CWE-118
- “Secure Coding” (Embedded Coder)
- “Design Error Detection” (Simulink Design Verifier)
- “Detect Out of Bound Array Access Errors” (Simulink Design Verifier)

Detect Specified Minimum and Maximum Value Violations**Check ID:** `mathworks.sldv.minmax`

Detect signals which exceed specified minimum and maximum values

Description

This analysis checks the specified minimum and maximum values (the design ranges) on intermediate signals throughout the model and on the output ports. If the analysis detects that a signal exceeds the design range, the results identify where in the model the errors occurred.

Following the recommendations of this check increases the likelihood of generating MISRA C:2012 compliant code for embedded applications, as well as code that complies with the CERT C and CWE standards.

Results and Recommended Actions

Result	Recommended Action
Failed, model incompatible	Resolve the model incompatibility. See <ul style="list-style-type: none"> • “Supported and Unsupported Simulink Blocks in Simulink Design Verifier” (Simulink Design Verifier) • “Support Limitations for Model Blocks” (Simulink Design Verifier) • “Support Limitations for Simulink Software Features” (Simulink Design Verifier) • “Support Limitations for Stateflow Software Features” (Simulink Design Verifier) • “Support Limitations for MATLAB for Code Generation” (Simulink Design Verifier) Also see “Handle Incompatibilities with Automatic Stubbing” (Simulink Design Verifier).
Violation of minimum and/or maximum found in model	To view the conditions that cause the violation, create a harness model. When you simulate the harness, the inputs replicate the error. Click View test case in the Model Advisor report.

See Also

- MISRA C:2012: Directive 4.1
- CERT C, API00-C
- CWE, CWE-628
- “Secure Coding” (Embedded Coder)
- “Design Range Checks” (Simulink Design Verifier)
- “Check for Specified Minimum and Maximum Value Violations” (Simulink Design Verifier)

Model Metrics

Model Metrics

Model metrics analyze your model and help you assess your model with regard to size, architecture, readability, and compliance to standards. Simulink Check provides the metrics for these metric types:

- “Size Metrics” on page 2-290
- “Architecture Metrics” on page 2-291
- “Compliance Metrics” on page 2-291
- “Readability Metrics” on page 2-291

Using the Metrics Dashboard, you can collect and view model metrics to get an assessment of your project quality status. For more information, see “Collect and Explore Metric Data by Using the Metrics Dashboard”.

You can use the model metric API to run the model metrics programmatically and export the results to a file. For more information, see “Collect Model Metrics Programmatically”.

For your company guidelines and standards, you can also use the model metric API to create your own model metrics, compute those metrics, and export the metric data. For more information, see “Create a Custom Model Metric for Nonvirtual Block Count”.

To obtain the metric IDs for the available metrics in your metric engine, use `slmetric.metric.getAvailableMetrics`.

```
availableMetricIDs = slmetric.metric.getAvailableMetrics()
```

```
availableMetricIDs =
```

```
26×1 cell array
```

```
{'mathworks.metrics.CloneContent' }
{'mathworks.metrics.CloneDetection' }
{'mathworks.metrics.CyclomaticComplexity' }
{'mathworks.metrics.DescriptiveBlockNames' }
{'mathworks.metrics.DiagnosticWarningsCount' }
{'mathworks.metrics.ExplicitIOCount' }
{'mathworks.metrics.FileCount' }
{'mathworks.metrics.IOCount' }
{'mathworks.metrics.LayerSeparation' }
{'mathworks.metrics.LibraryContent' }
{'mathworks.metrics.LibraryLinkCount' }
{'mathworks.metrics.MatlabCodeAnalyzerWarnings' }
{'mathworks.metrics.MatlabFunctionCount' }
{'mathworks.metrics.MatlabLOCCount' }
{'mathworks.metrics.ModelAdvisorCheckCompliance.hisl_do178' }
{'mathworks.metrics.ModelAdvisorCheckCompliance.maab' }
{'mathworks.metrics.ModelAdvisorCheckIssues.hisl_do178' }
{'mathworks.metrics.ModelAdvisorCheckIssues.maab' }
{'mathworks.metrics.ModelFileCount' }
{'mathworks.metrics.ParameterCount' }
{'mathworks.metrics.SimulinkBlockCount' }
{'mathworks.metrics.StateflowChartCount' }
```

```

{'mathworks.metrics.StateflowChartObjectCount'      }
{'mathworks.metrics.StateflowLOCCount'              }
{'mathworks.metrics.SubSystemCount'                  }
{'mathworks.metrics.SubSystemDepth'                  }

```

`slmetric.metric.getAvailableMetrics()` returns the available metrics in your metrics engine, including custom metrics. For information on how to configure and use custom metrics to customize the dashboard, see “Customize Metrics Dashboard Layout and Functionality”.

Size Metrics

To collect metric data on a model or subsystem, run these metrics.

Metric	Description
“Simulink block metric” on page 2-292	Calculates the number of blocks in the model.
“Subsystem metric” on page 2-293	Calculates the number of subsystems in the model.
“Library link metric” on page 2-294	Calculates the number of library-linked blocks in the model.
“Effective lines of MATLAB code metric” on page 2-295	Calculates the number of effective lines of MATLAB code.
“Stateflow chart objects metric” on page 2-296	Calculates the number of Stateflow objects.
“Lines of code for Stateflow blocks metric” on page 2-297	Calculates the lines of code for the following Stateflow blocks in the model: <ul style="list-style-type: none"> • Chart, counting the code on Transitions and inside States • State Transition Table block • Truth Table block
“Subsystem depth metric” on page 2-298	Calculates the subsystem depth of the model.
“Input output metric” on page 2-299	Calculates the number of inputs and outputs in your model.
“Explicit input output metric” on page 2-300	Calculates the number of inputs and outputs in your model.
“File metric” on page 2-301	Calculates the number of model and library files.
“MATLAB Function metric” on page 2-302	Calculates the number of MATLAB Function blocks in your model.
“Model file count” on page 2-302	Calculates the number of model files.
“Parameter metric” on page 2-303	Calculates the number of instances of data objects that parameterize the behavior of a model.
“Stateflow chart metric” on page 2-304	Calculates the number of Stateflow charts in your model.

For more information on model metrics, see “Collect Model and Testing Metrics”.

Architecture Metrics

To learn more about the architecture for a model or subsystem, run these metrics.

Metric	Description
“Cyclomatic complexity metric” on page 2-305	Calculates the cyclomatic complexity of the model.
“Clone content metric” on page 2-306	Calculates the fraction of total number of subcomponents that are clones.
“Clone detection metric” on page 2-307	Calculates the number of clones in components across the model hierarchy.
“Library content metric” on page 2-308	Calculates the fraction of total number of components that are linked library blocks.

For more information on model metrics, see “Collect Model and Testing Metrics”.

Compliance Metrics

To determine if your model or subsystem is compliant with standards and guidelines, run one or more of these metrics.

Metric	Description
“MATLAB code analyzer warnings” on page 2-310	Determines warnings for MATLAB code blocks in your model.
“Diagnostic warnings metric” on page 2-300	Calculates the number of diagnostic warnings reported.
“Model Advisor Check Compliance for High-Integrity Systems” on page 2-311	Returns the fraction of checks the model passes from Model Advisor DO-178C/DO-331 Standards.
“Model Advisor Check Compliance for Modeling Standards for MAB” on page 2-312	Returns the fraction of checks the model passes from Model Advisor MAB Standard.
“Model Advisor Check Issues for High-Integrity Systems” on page 2-313	Reports the number of issues from Model Advisor DO-178C/DO-331 Standards.
“Model Advisor Check Issues for MAB Standards” on page 2-314	Reports the number of issues from Model Advisor MAAB Standard.

For information on compliance metrics that obtain compliance and issues metric data on your Model Advisor configuration, see “Compliance Metrics for Model Advisor Configurations” on page 2-315.

For more information on model metrics, see “Collect Model and Testing Metrics”.

Readability Metrics

Run these metrics to determine readability for a model or subsystem.

Metric	Description
“Nondescriptive block name metric” on page 2-308	Determines nondescriptive Inport, Outport, and Subsystem block names.
“Data and structure layer separation metric” on page 2-309	Calculates the data and structure layer separation.

For more information on model metrics, see “Collect Model and Testing Metrics”.

Simulink block metric

Metric Type: Size

Metric ID: `mathworks.metrics.SimulinkBlockCount`

Model Advisor Check ID: `mathworks.metricchecks.SimulinkBlockCount`

Calculate the number of Simulink blocks in the model.

Description

Use this metric to calculate the number of blocks in the model. The results provide the number of blocks at the model and subsystem level. This metric counts Simulink—based blocks, but does not include underlying blocks used to implement the block. This metric is available with Simulink Check. To collect data for this metric, use `getMetrics` with the metric identifier, `mathworks.metrics.SimulinkBlockCount`.

The `slmetric.metric.AggregationMode` property setting is `Sum`.

Model Advisor Check

To collect data for this metric using the Model Advisor, run the check, **Simulink block metric** in **By Task > Model Metrics > Count Metrics**. The Model Advisor check displays the number of blocks in the model or the subsystem. The check does not analyze referenced models or return aggregated results.

Results

For this metric, instances of `slmetric.metric.Result` provide the following results:

- `Value`: Number of blocks.
- `AggregatedValue`: Number of blocks for component and its subcomponents.
- `Measures`: Not applicable.

Note The results from metric analysis of **Simulink block metric** can differ from calling `sliagnostics`. The result of the Simulink block metric:

- Includes referenced models.
- Does not include any underlying blocks used to implement a MathWorks block that you used from the Simulink Library Browser.

- Does not include links into MathWorks libraries, which means that MathWorks library blocks that are masked subsystems are counted as one block. The inner content of those blocks is not counted.
- Does not include hidden content under Stateflow Charts or MATLAB Function blocks.
- Does not include requirements blocks.

Capabilities and Limitations

The metric:

- Runs on library models.
- Analyzes content in masked subsystems.
- If specified, analyzes the content of library-linked blocks or referenced models.

See Also

For more information on model metrics, see “Collect Model and Testing Metrics”.

Subsystem metric

Metric Type: Size

Metric ID: `mathworks.metrics.SubSystemCount`

Model Advisor Check ID: `mathworks.metricchecks.SubSystemCount`

Display number of subsystems in the model.

Description

Use this metric to calculate the number of subsystems in the model. The results provide the number of subsystems at the model and subsystem level.

This metric is available with Simulink Check. To collect data for this metric, use `getMetrics` with the metric identifier, `mathworks.metrics.SubSystemCount`.

The `slmetric.metric.AggregationMode` property setting is `Sum`.

Model Advisor Check

To collect data for this metric using the Model Advisor, run the check, **Subsystem metric in By Task > Model Metrics > Count Metrics**. The Model Advisor check displays the number of subsystems in the model or the subsystem. The check does not analyze referenced models or return aggregated results.

Results

For this metric, instances of `slmetric.metric.Result` provide the following results:

- `Value`: Number of subsystems.
- `AggregatedValue`: Number of subsystems for a component and its subcomponent.

- Measures: Not applicable.

Capabilities and Limitations

The metric:

- Runs on library models.
- Analyzes content in masked subsystems.
- Does not count subsystems linked to MathWorks libraries.
- If specified, analyzes the content of library-linked blocks or referenced models.

See Also

For more information on model metrics, see “Collect Model and Testing Metrics”.

Library link metric

Metric Type: Size

Metric ID: `mathworks.metrics.LibraryLinkCount`

Model Advisor Check ID: `mathworks.metricchecks.LibraryLinkCount`

Display number of library links in the model.

Description

Use this metric to calculate the number of library-linked blocks in the model. The results provide the number of library-linked blocks at the model and subsystem level.

This metric is available with Simulink Check. To collect data for this metric, use `getMetrics` with the metric identifier, `mathworks.metrics.LibraryLinkCount`.

The `slmetric.metric.AggregationMode` property setting is `Sum`.

Model Advisor Check

To collect results for this metric using the Model Advisor, run the check, **Library link metric** in **By Task > Model Metrics > Count Metrics**. The Model Advisor check displays the number of library links in the model or the subsystem. The check does not analyze referenced models or return aggregated results.

Results

For this metric, instances of `slmetric.metric.Result` provide the following results:

- `Value`: Number of library linked blocks.
- `AggregatedValue`: Number of library linked blocks for a component and its subcomponents.
- Measures: Not applicable.

Capabilities and Limitations

The metric:

- Runs on library models.
- Analyzes content in masked subsystems.
- Does not count subsystems linked to MathWorks libraries.
- If specified, analyzes the content of library-linked blocks or referenced models.

See Also

For more information on model metrics, see “Collect Model and Testing Metrics”.

Effective lines of MATLAB code metric

Metric Type: Size

Metric ID: `mathworks.metrics.MatlabLOCCount`

Model Advisor Check ID: `mathworks.metricchecks.MatlabLOCCount`

Display number of effective lines of MATLAB code.

Description

Run this metric to calculate the number of effective lines of MATLAB code. Effective lines of MATLAB code are lines of executable code. Empty lines, lines that contain only comments, and lines that contain only an end statement are not considered effective lines of code. The results provide the number of effective lines of MATLAB code for each MATLAB Function block and for MATLAB functions in Stateflow charts.

This metric is available with Simulink Check. To collect data for this metric, use `getMetrics` with the metric identifier, `mathworks.metrics.MatlabLOCCount`.

The `slmetric.metric.AggregationMode` property setting is `Sum`.

Model Advisor Check

To collect results for this metric using the Model Advisor, run the check, **Effective lines of MATLAB code metric** in **By Task > Model Metrics > Count Metrics**. The Model Advisor check displays the number of effective lines of MATLAB code for each MATLAB Function block and for MATLAB functions in Stateflow charts in the model. The check does not analyze referenced models or return aggregated results.

Results

For this metric, instances of `slmetric.metric.Result` provide the following results:

- `Value`: Number of effective lines of MATLAB code.
- `AggregatedValue`: Number of effective lines of MATLAB code for a component and its subcomponents.
- `Measures`: Not applicable.

Capabilities and Limitations

The metric:

- Runs on library models.
- Analyzes content in masked subsystems.
- Does not analyze the content of MATLAB code in external files.
- If specified, analyzes the content of library-linked blocks or referenced models.

See Also

For more information on model metrics, see “Collect Model and Testing Metrics”.

Stateflow chart objects metric

Metric Type: Size

Metric ID: `mathworks.metrics.StateflowChartObjectCount`

Model Advisor Check ID: `mathworks.metricchecks.StateflowChartObjectCount`

Display the number of Stateflow objects in each chart.

Description

Run this metric to calculate the number of Stateflow objects. For each chart in the model, the results provide the number of the following Stateflow objects:

- Atomic subcharts
- Boxes
- Data objects
- Events
- Graphical functions
- Junctions
- Linked charts
- MATLAB functions
- Notes
- Simulink functions
- States
- Transitions
- Truth tables

This metric is available with Simulink Check. To collect data for this metric, use `getMetrics` with the metric identifier, `mathworks.metrics.StateflowChartObjectCount`.

The `slmetric.metric.AggregationMode` property setting is Sum.

Model Advisor Check

To collect results for this metric using the Model Advisor, run the check, **Stateflow chart objects metric** in **By Task > Model Metrics > Count Metrics**. The Model Advisor check displays the number of Stateflow objects in each chart in the model. The check does not analyze charts in referenced models or return aggregated results.

Results

For this metric, instances of `slmetric.metric.Result` provide the following results:

- `Value`: Number of Stateflow objects.
- `AggregatedValue`: Number of Stateflow objects for a component and its subcomponents.
- `Measures`: Not applicable.

Capabilities and Limitations

The metric:

- Runs on library models.
- Analyzes content in masked subsystems.
- If specified, analyzes the content of library-linked blocks or referenced models.

See Also

For more information on model metrics, see “Collect Model and Testing Metrics”.

Lines of code for Stateflow blocks metric

Metric Type: Size

Metric ID: `mathworks.metrics.StateflowLOCCount`

Model Advisor Check ID: `mathworks.metricchecks.StateflowLOCCount`

Display the number of effective lines of code for Stateflow blocks.

Description

Use this metric to calculate the number of effective lines of code in Stateflow. Effective lines of MATLAB code are lines of executable code. Empty lines, lines that contain only comments, and lines that contain only an end statement are not considered effective lines of code. This metric calculates the lines of code for the following Stateflow blocks in the model:

- Chart, counting the code on Transitions and inside States
- State Transition Table block
- Truth Table block

This metric is available with Simulink Check. To collect data for this metric, use `getMetrics` with the metric identifier, `mathworks.metrics.StateflowLOCCount`.

The `slmetric.metric.AggregationMode` property setting is `Sum`.

Model Advisor Check

To collect results for this metric using the Model Advisor, run the check, **Lines of code for Stateflow blocks metric** in **By Task > Model Metrics > Count Metrics**. The Model Advisor check displays the number of code lines for Stateflow blocks in the model. The check does not analyze referenced models or return aggregated results.

Results

For this metric, instances of `slmetric.metric.Result` provide the following results:

- `Value`: Number of Stateflow block code lines.
- `AggregatedValue`: Number of Stateflow block code lines for a component and its subcomponents.
- `Measures`: Vector with two entries: number of effective lines of code in MATLAB action language and number of effective lines of code in C action language.

Capabilities and Limitations

The metric:

- Runs on library models.
- Analyzes content in masked subsystems.
- If specified, analyzes the content of library-linked blocks or referenced models.

See Also

For more information on model metrics, see “Collect Model and Testing Metrics”.

Subsystem depth metric

Metric Type: Size

Metric ID: `mathworks.metrics.SubSystemDepth`

Model Advisor Check ID: `mathworks.metricchecks.SubSystemDepth`

Calculates the depth of the hierarchical children of a subsystem or model.

Description

Use this metric to count the relative depth of all hierarchical children for a given subsystem or model starting from the given component, or root of analysis. Depth traversal analysis stops when it reaches a referenced model or a library. Depth is restarted with 0 for each of these components.

This metric is available with Simulink Check. To collect data for this metric, use `getMetrics` with the metric identifier, `mathworks.metrics.SubSystemDepth`.

The `slmetric.metric.AggregationMode` property setting is `None`.

Model Advisor Check

To collect results for this metric using the Model Advisor, run the check, **Subsystem depth metric in By Task > Model Metrics > Count Metrics**. The Model Advisor check displays the depth of the subsystems in the model. The check does not analyze referenced models or return aggregated results.

Results

For this metric, instances of `slmetric.metric.Result` provide the following results:

- **Value:** subsystem depth for each component in the hierarchy.
- **AggregatedValue:** Not applicable.
- **Measures:** Not applicable.

Capabilities and Limitations

The metric:

- Runs on library models.
- Analyzes content in masked subsystems.
- If specified, analyzes the content of library-linked blocks or referenced models.

See Also

For more information on model metrics, see “Collect Model and Testing Metrics”.

Input output metric

Metric Type: Size

Metric ID: `mathworks.metrics.IOCount`

Display number of inputs and outputs in the model.

Description

Use this metric to calculate the number of inputs and outputs in the model, which include:

- **Inputs:** Inport blocks, Trigger ports, Enable ports, chart input data and events.
- **Outputs:** Outport blocks, chart output data and events.
- **Implicit inputs:** From block, where the matching Goto block is outside of the component.
- **Implicit outputs:** Goto block, where the matching From block is outside of the component.

The `slmetric.metric.AggregationMode` property setting is `Max`.

Results

For this metric, instances of `slmetric.metric.Result` provide the following results:

- **Value:** total interface size or sum of the elements of **Measures**.
- **AggregatedValue:** Number of inputs and outputs for a component and its subcomponents.
- **Measures:** Array consisting of number of inputs, number of outputs, number of implicit inputs, and number of implicit outputs, which are local to the component.
- **AggregatedMeasures:** Maximum number of inputs, outputs, implicit inputs, and implicit outputs for a component and subcomponents.

Capabilities and Limitations

The metric:

- Runs on library models.

- Analyzes content in masked subsystems.
- If specified, analyzes the content of library-linked blocks or referenced models.

See Also

For more information on model metrics, see “Collect Model and Testing Metrics”.

Diagnostic warnings metric

Metric Type: Compliance

Metric ID: `mathworks.metrics.DiagnosticWarningsCount`

Calculate the number of diagnostic warnings reported during a model update for simulation.

Description

Use this metric to calculate the number of Simulink diagnostic warnings reported during a model update for simulation. This metric is available with Simulink Check. To collect data for this metric, use `getMetrics` with the metric identifier, `mathworks.metrics.DiagnosticWarningsCount`.

The `slmetric.metric.AggregationMode` property setting is `Sum`.

Results

For this metric, instances of `slmetric.metric.Result` provide the following results:

- **Value:** Number of diagnostic warnings reported.
- **AggregatedValue:** Number of diagnostic warnings reported for component and its subcomponents.
- **Measure:** Not applicable.

Capabilities and Limitations

- If specified, analyzes the content of library-linked blocks or referenced models.

See Also

For more information on model metrics, see “Collect Model and Testing Metrics”.

Explicit input output metric

Metric Type: Size

Metric ID: `mathworks.metrics.ExplicitIOCount`

Display number of inputs and outputs in the model, excluding `From` and `Goto` blocks.

Description

Use this metric to calculate the number of inputs and outputs in the model, which include:

- **Inputs:** Inport blocks, Trigger ports, Enable ports, chart input data and events.

- Outputs: Outport blocks, chart output data and events.

This metric is available with Simulink Check. To collect data for this metric, use `getMetrics` with the metric identifier, `mathworks.metrics.ExplicitIOCount`.

The `slmetric.metric.AggregationMode` property setting is `Max`.

Results

For this metric, instances of `slmetric.metric.Result` provide the following results:

- `Value`: Total interface size or sum of the elements of `Measures`.
- `AggregatedValue`: Number of inputs and outputs for a component and its subcomponents.
- `Measures`: Array consisting of number of inputs and number of outputs which are local to the component.
- `AggregatedMeasures`: Maximum number of inputs and outputs for a component and subcomponents.

Capabilities and Limitations

The metric:

- Excludes `From` and `Goto` blocks.
- Runs on library models.
- Analyzes content in masked subsystems.
- If specified, analyzes the content of library-linked blocks or referenced models.

See Also

For more information on model metrics, see “Collect Model and Testing Metrics”.

File metric

Metric Type: Size

Metric ID: `mathworks.metrics.FileCount`

Calculates the number of model and library files used by a specific component and its subcomponents.

Description

Use this metric to count the number of model and library files used by a specific component and its subcomponents. This metric is available with Simulink Check. To collect data for this metric, use `getMetrics` with the metric identifier, `mathworks.metrics.FileCount`.

The `slmetric.metric.AggregationMode` property setting is `None`.

Results

For this metric, instances of `slmetric.metric.Result` provide the following results:

- `Value`: Number of model and library files.

- `AggregatedValue`: Not applicable.
- `Measures`: Not applicable.

Capabilities and Limitations

- Runs on library models.
- Analyzes content in masked subsystems.
- If specified, analyzes the content of library-linked blocks or referenced models.

See Also

For more information on model metrics, see “Collect Model and Testing Metrics”.

MATLAB Function metric

Metric Type: Size

Metric ID: `mathworks.metrics.MatlabFunctionCount`

Calculates the number of MATLAB Function blocks inside a component.

Description

Use this metric to count the number of MATLAB Function blocks inside a component. This metric is available with Simulink Check. To collect data for this metric, use `getMetrics` with the metric identifier, `mathworks.metrics.MatlabFunctionCount`.

The `slmetric.metric.AggregationMode` property setting is `Sum`.

Results

For this metric, instances of `slmetric.metric.Result` provide the following results:

- `Value`: Number of MATLAB Function blocks.
- `AggregatedValue`: Number of MATLAB Function blocks for component and its subcomponents.
- `Measures`: Not applicable.

Capabilities and Limitations

- Runs on library models.
- Analyzes content in masked subsystems.
- If specified, analyzes the content of library-linked blocks or referenced models.

See Also

For more information on model metrics, see “Collect Model and Testing Metrics”.

Model file count

Metric Type: Size

Metric ID: `mathworks.metrics.ModelFileCount`

Calculate the number of model files.

Description

Use this metric to count the number of model files. This metric is available with Simulink Check. To collect data for this metric, use `getMetrics` with the metric identifier, `mathworks.metrics.ModelFileCount`.

The `slmetric.metric.AggregationMode` property setting is `None`.

Results

For this metric, instances of `slmetric.metric.Result` provide the following results:

- `Value`: Number of files reference by a component and its subcomponents.
- `AggregatedValue`: Not applicable.
- `Measures`: Not applicable.

Capabilities and Limitations

- Runs on library models.
- Analyzes content in masked subsystems.
- If specified, analyzes the content of library-linked blocks or referenced models.

See Also

For more information on model metrics, see “Collect Model and Testing Metrics”.

Parameter metric

Metric Type: Size

Metric ID: `mathworks.metrics.ParameterCount`

Calculate number of instances of parameter data

Description

Use this metric to calculate the number of instances of parameter data inside a Simulink system.

A parameter is a variable used by a Simulink block or object of a basic type (which includes `single`, `double`, `uint8`, `uint16`, `uint32`, `int8`, `int16`, `int32`, `boolean`, `logical`, `struct`, `char`, `cell`), `Simulink.Parameter` object, `Simulink.Variant` object, or enum value. This metric returns every instance of a parameter in a model, which means that the metric counts each instance of a parameter separately. The parameter data must be located in the base workspace, the model workspace, or a data dictionary.

For example, the model `f14` uses two instances of the parameter `Zw`. One instance is in block `f14/Gain` at the root level of the model. One instance is in block `f14/Aircraft Dynamics Model/Transfer Fcn.2` in the `Aircraft Dynamics Model` subsystem. The metric `mathworks.metrics.ParameterCount` includes both of these instances of parameter `Zw` when it calculates the number of parameter instances in the `f14` model and its subsystems.

This metric is available with Simulink Check. To collect data for this metric, use `getMetrics` with the metric identifier, `mathworks.metrics.ParameterCount`.

The `slmetric.metric.AggregationMode` property setting is `Sum`.

Results

For this metric, instances of `slmetric.metric.Result` provide the following results:

- **Value:** Number of parameter instances used inside a component.
- **AggregatedValue:** Number of parameter instances for a component and its subcomponents.
- **Measures:** Not applicable.

Capabilities and Limitations

This metric:

- Filters results from the `Simulink.findVars` function and inherits the limitations of this function.
- Counts the parameter instances in a component rather than unique parameters.
- Does not include parameters in masked workspaces.
- Does not include data type and signal objects.
- If specified, analyzes the content of library-linked blocks or referenced models.

See Also

For more information on model metrics, see “Collect Model and Testing Metrics”.

Stateflow chart metric

Metric Type: Size

Metric ID: `mathworks.metrics.StateflowChartCount`

Calculate the number of Stateflow charts at any component level.

Description

Use this metric to count the number of Stateflow charts at any component level. This metric is available with Simulink Check. To collect data for this metric, use `getMetrics` with the metric identifier, `mathworks.metrics.StateflowChartCount`.

The `slmetric.metric.AggregationMode` property setting is `Sum`.

Results

For this metric, instances of `slmetric.metric.Result` provide the following results:

- **Value:** Number of Stateflow charts at the model level.
- **AggregatedValue:** Number of charts for component and its subcomponents.
- **Measures:** Not applicable.

Capabilities and Limitations

- Runs on library models.
- Analyzes content in masked subsystems.
- If specified, analyzes the content of library-linked blocks or referenced models.

See Also

For more information on model metrics, see “Collect Model and Testing Metrics”.

Cyclomatic complexity metric

Metric Type: Architecture

Metric ID: `mathworks.metrics.CyclomaticComplexity`

Model Advisor Check ID: `mathworks.metricchecks.CyclomaticComplexity`

Display the cyclomatic complexity of the model.

Description

Use this metric to calculate the cyclomatic complexity of the model. Cyclomatic complexity is a measure of the structural complexity of a model. The complexity measure can be different for the generated code than for the model due to code features that this analysis does not consider, such as consolidated logic and error checks. To compute the cyclomatic complexity of an object (such as a block, chart, or state), Simulink Check uses this formula:

$$c = \sum_{1}^N (o_n - 1)$$

N is the number of decision points that the object represents and o_n is the number of outcomes for the n th decision point. The calculation considers a vectorized operation or a Multiport switch block as a single decision point. The tool adds 1 to the complexity number for models, atomic subsystems, and Stateflow charts.

The results provide the local and aggregated cyclomatic complexity for the:

- Model
- Subsystems
- Charts
- MATLAB functions

Local complexity is the cyclomatic complexity for objects at their hierarchical level. Aggregated cyclomatic complexity is the cyclomatic complexity of an object and its descendants

This metric is available with Simulink Check. To collect data for this metric, use `getMetrics` with the metric identifier, `mathworks.metrics.CyclomaticComplexity`.

The `slmetric.metric.AggregationMode` property setting is `Sum`.

Model Advisor Check

To collect data for this metric using the Model Advisor, run the check, **Cyclomatic complexity metric** in **By Task > Model Metrics > Complexity Metrics**. The Model Advisor check displays the local cyclomatic complexity for the root model and for Simulink and Stateflow objects in the system. The check does not analyze referenced models or return aggregated results.

Results

For this metric, instances of `slmetric.metric.Result` provide the following results:

- `Value`: Local cyclomatic complexity.
- `AggregatedValue`: Aggregated cyclomatic complexity.
- `Measures`: Not applicable.

Capabilities and Limitations

The metric:

- Does not run on library models.
- Analyzes content in masked subsystems.
- Does not analyze inactive variants.
- If specified, analyzes the content of library-linked blocks or referenced models.
- Does not analyze referenced models in accelerated mode.

See Also

- “Compare Model Complexity and Code Complexity Metrics”
- “Collect Model and Testing Metrics”
- “Cyclomatic Complexity for Stateflow Charts” (Simulink Coverage)
- “Specify Coverage Options” (Simulink Coverage)

Clone content metric

Metric Type: Architecture

Metric ID: `mathworks.metrics.CloneContent`

Calculates the fraction of total number of subcomponents that are clones.

Description

Use this metric to calculate the fraction of the total number of subcomponents that are clones. Clones must have identical block types and connections but they can have different parameter values. For more information on clone detection, see “Enable Component Reuse by Using Clone Detection”.

This metric is available with Simulink Check. To collect data for this metric, use `getMetrics` with the metric identifier, `mathworks.metrics.CloneContent`.

The `slmetric.metric.AggregationMode` property setting is `None`.

Results

For this metric, instances of `slmetric.metric.Result` provide the following results:

- `Value`: Fraction of total number of subcomponents that are clones
- `AggregatedValue`: Not applicable.
- `Measures`: Vector containing number of clones, total number of components, and clone group number.

Capabilities and Limitations

- Analyzes content in masked subsystems.
- If specified, analyzes the content of library-linked blocks or referenced models.

See Also

For more information on model metrics, see “Collect Model and Testing Metrics”.

Clone detection metric

Metric Type: Architecture

Metric ID: `mathworks.metrics.CloneDetection`

Calculate the number of clones in a model.

Description

Use this metric to count the number of clones in a model. Clones must have identical block types and connections but they can have different parameter values. This metric is available with Simulink Check. To collect data for this metric, use `getMetrics` with the metric identifier, `mathworks.metrics.CloneDetection`.

The `slmetric.metric.AggregationMode` property setting is `Sum`.

Results

For this metric, instances of `slmetric.metric.Result` provide the following results:

- `Value`: Number of clones.
- `AggregatedValue`: Number of clones for component and its subcomponents.
- `Measures`: Not applicable.

Capabilities and Limitations

- Analyzes content in masked subsystems.
- If specified, analyzes the content of library-linked blocks or referenced models.

See Also

For more information on model metrics, see “Collect Model and Testing Metrics”.

Library content metric

Metric Type: Architecture

Metric ID: `mathworks.metrics.LibraryContent`

Calculates the fraction of total number of components that are linked library blocks.

Description

Use this metric to calculate the fraction of total number of components that are linked library blocks. This metric is available with Simulink Check. To collect data for this metric, use `getMetrics` with the metric identifier, `mathworks.metrics.LibraryContent`.

The `slmetric.metric.AggregationMode` property setting is `None`.

Results

For this metric, instances of `slmetric.metric.Result` provide the following results:

- `Value`: Fraction of the total number of subcomponents that are linked library blocks.
- `AggregatedValue`: Not applicable.
- `Measures`: Vector containing the number of linked library blocks and total number of components

Capabilities and Limitations

- If specified, analyzes the content of library-linked blocks or referenced models.

See Also

For more information on model metrics, see “Collect Model and Testing Metrics”.

Nondescriptive block name metric

Metric Type: Readability

Metric ID: `mathworks.metrics.DescriptiveBlockNames`

Model Advisor Check ID: `mathworks.metricchecks.DescriptiveBlockNames`

Display nondescriptive Inport, Outport, and Subsystem block names.

Description

Run this metric to determine nondescriptive Inport, Outport, and Subsystem block names. Default names appended with an integer are nondescriptive block names. The results provide the nondescriptive block names at the model and subsystem levels.

This metric is available with Simulink Check. To collect data for this metric, use `getMetrics` with the metric identifier, `mathworks.metrics.DescriptiveBlockNames`.

The `slmetric.metric.AggregationMode` property setting is `Sum`.

Model Advisor Check

To collect results for this metric using the Model Advisor, run the check, **Nondescriptive block name metric** in **By Task > Model Metrics > Readability Metrics**. The Model Advisor check displays the number of nondescriptive Inport, Outport, and Subsystem block names in the model or subsystem. The check does not display the result for each type of block separately. The check does not analyze referenced models or return aggregated results.

Results

For this metric, instances of `slmetric.metric.Result` provide the following results:

- **Value:** Number of nondescriptive Inport, Outport, and Subsystem block names.
- **AggregatedValue:** Number of nondescriptive Inport, Outport, and Subsystem block names for a component and its subcomponents.
- **Measures:** 1-D vector containing:
 - Total number of Inport blocks
 - Number of Inport blocks with nondescriptive names
 - Total number of Outport blocks
 - Number of Outport blocks with nondescriptive names
 - Total number of Subsystem blocks
 - Number of Subsystem blocks with nondescriptive names
- **AggregatedMeasures:** 1-D vector containing sum of:
 - Total number of Inport blocks
 - Number of Inport blocks with nondescriptive names
 - Total number of Outport blocks
 - Number of Outport blocks with nondescriptive names
 - Total number of Subsystem blocks
 - Number of Subsystem blocks with nondescriptive names

Capabilities and Limitations

The metric:

- Does not run on library models.
- Analyzes content in masked subsystems.
- If specified, analyzes the content of library-linked blocks or referenced models.

See Also

For more information on model metrics, see “Collect Model and Testing Metrics”

Data and structure layer separation metric

Metric Type: Readability

Metric ID: `mathworks.metrics.LayerSeparation`

Model Advisor Check ID: `mathworks.metricchecks.LayerSeparation`

Display data and structure layer separation.

Description

Run this metric to calculate the data and structure layer separation. The results provide the separation at the model and subsystem level.

This metric is available with Simulink Check. To collect data for this metric, use `getMetrics` with the metric identifier, `mathworks.metrics.LayerSeparation`.

For guidelines about blocks on model levels, see the MAB guideline `db_0143`: Usable block types in model hierarchy.

The `slmetric.metric.AggregationMode` property setting is `Sum`.

Model Advisor Check

To collect results for this metric using the Model Advisor, run the check, **Data and structure layer separation metric** in **By Task > Model Metrics > Readability Metrics**. The Model Advisor check displays the separation for the model or subsystem. The check does not analyze referenced models or return aggregated results.

Results

For this metric, instances of `slmetric.metric.Result` provide the following results:

- **Value:** Number of basic blocks on a structural level.
- **AggregatedValue:** Number of basic blocks on a structural level for a component and its subcomponents.
- **Measures:** Not applicable.

Capabilities and Limitations

The metric:

- Does not run on library models.
- Analyzes content in masked subsystems.
- If specified, analyzes the content of library-linked blocks or referenced models.

See Also

For more information on model metrics, see “Collect Model and Testing Metrics”

MATLAB code analyzer warnings

Metric Type: Compliance

Metric ID: `mathworks.metrics.MatlabCodeAnalyzerWarnings`

Use this metric to calculate the number of MATLAB code analyzer warnings from MATLAB code in the model. This metric is available with Simulink Check.

The `slmetric.metric.AggregationMode` property setting is `Sum`.

Results

For this metric, instances of `slmetric.metric.Result` provide the following results:

- **Value:** Number of MATLAB code analyzer warnings
- **AggregatedValue:** Number of MATLAB code analyzer warnings aggregated for a component and subcomponents.
- **Measures:** Not applicable.

Capabilities and Limitations

The metric:

- Analyzes MATLAB code in MATLAB Function blocks
- Analyzes MATLAB functions in Stateflow charts
- Runs on library models
- Analyzes content in masked subsystems
- If specified, analyzes content of library-linked blocks and referenced models
- Does not analyze external MATLAB code files

See Also

- “Collect Model and Testing Metrics”
- “Check Code for Errors and Warnings Using the Code Analyzer”

Model Advisor Check Compliance for High-Integrity Systems

Metric Type: Compliance

Family ID: `mathworks.metrics.ModelAdvisorCheckCompliance`

Metric ID: `mathworks.metrics.ModelAdvisorCheckCompliance.hisl_do178`

Use this metric to calculate the fraction of Model Advisor checks that pass for the **High-Integrity Systems** subgroups. This metric is available with Simulink Check.

The `slmetric.metric.AggregationMode` property setting is `Percentile`.

Results

For this metric, instances of `slmetric.metric.Result` provide the following results:

- **Value:** Fraction of total number of checks passed in **High-Integrity Systems** subgroups.
- **AggregatedValue:** Fraction of total number of checks passed in **High-Integrity Systems** subgroups aggregated for a component and all of its subcomponents.
- **Measures:** Vector containing: number of checks passed in subgroups and number of checks in subgroups.
- **AggregatedMeasures:** Vector containing: number of checks passed in subgroups and number of checks in subgroup, for a component and all its subcomponents.

Results Details

For this metric, instances of the `slmetric.metric.ResultDetail Value` property provides these results:

- A value of 0 indicates that a check did not run.
- A value of 1 indicates that a check passed.
- A value of 2 indicates a check warning.
- A value of 3 indicates a failure.

Capabilities and Limitations

The metric:

- Runs on library models.
- Analyzes content in masked subsystems.
- If specified, analyzes the content of library-linked blocks or referenced models.
- Analyzes content in Stateflow objects.

See Also

- “Collect Model and Testing Metrics”
- “Model Checks for DO-178C/DO-331 Standard Compliance”

Model Advisor Check Compliance for Modeling Standards for MAB

Metric Type: Compliance

Family ID: `mathworks.metrics.ModelAdvisorCheckCompliance`

Metric ID: `mathworks.metrics.ModelAdvisorCheckCompliance.maab`

Use this metric to calculate the fraction of Model Advisor checks that pass for the group **Modeling Standards for MAB**. This metric is available with Simulink Check.

The `slmetric.metric.AggregationMode` property setting is Percentile.

Results

For this metric, instances of `slmetric.metric.Result` provide the following results:

- `Value`: Fraction of total number of checks passed in MAB.
- `AggregatedValue`: Fraction of total number of checks passed in MAB aggregated for a component and all of its subcomponents.
- `Measures`: Vector containing: number of checks passed in group and number of checks in group.
- `AggregatedMeasures`: Vector containing: number of checks passed in group and number of checks in group, for a component and all its subcomponents.

Results Details

For this metric, instances of the `slmetric.metric.ResultDetail Value` property provides these results:

- A value of 0 indicates that a check did not run.
- A value of 1 indicates that a check passed.
- A value of 2 indicates a check warning.
- A value of 3 indicates a failure.

Capabilities and Limitations

The metric:

- Runs on library models.
- Analyzes content in masked subsystems.
- If specified, analyzes the content of library-linked blocks or referenced models.
- Analyzes content in Stateflow objects.

See Also

- “Collect Model and Testing Metrics”
- “Model Advisor Checks for MAB and JMAAB Compliance” on page 2-105

Model Advisor Check Issues for High-Integrity Systems

Metric Type: Compliance

Family ID: `mathworks.metrics.ModelAdvisorCheckIssues`

Metric ID: `mathworks.metrics.ModelAdvisorCheckIssues.hisl_do178`

Use this metric to calculate number of issues reported by the subgroups of Model Advisor checks for **High-Integrity Systems**. This metric counts each Model Advisor check that produces a warning or failure. If a check contains links to blocks, this metric counts one issue for each linked block. Checks with links to the model are highlighted in the Simulink Editor. If a check does not contain links to blocks, this metric counts one issue. This metric is available with Simulink Check.

The `slmetric.metric.AggregationMode` property setting is Sum.

Results

For this metric, instances of `slmetric.metric.Result` provide the following results:

- `Value`: Number of issues reported by the **High-Integrity Systems** checks
- `AggregatedValue`: Number of issues reported by the **High-Integrity Systems** checks aggregated for a component and all of its subcomponents.
- `Measures`: Not applicable.

Capabilities and Limitations

The metric:

- Runs on library models.
- Analyzes content in masked subsystems.

- If specified, analyzes the content of library-linked blocks or referenced models.
- Analyzes content in Stateflow objects.

See Also

- “Collect Model and Testing Metrics”
- “Model Checks for DO-178C/DO-331 Standard Compliance”

Model Advisor Check Issues for MAB Standards

Metric Type: Compliance

Family ID: `mathworks.metrics.ModelAdvisorCheckIssues`

Metric ID: `mathworks.metrics.ModelAdvisorCheckIssues.maab`

Use this metric to calculate number of issues reported by the group of Model Advisor checks for **Modeling Standards for MAB**. This metric counts each Model Advisor check that produces a warning or failure. If a check contains links to blocks, this metric counts one issue for each linked block. Checks with links to the model are highlighted in the Simulink Editor. If a check does not contain links to blocks, this metric counts one issue. This metric is available with Simulink Check.

The `slmetric.metric.AggregationMode` property setting is Sum.

Results

For this metric, instances of `slmetric.metric.Result` provide the following results:

- **Value:** Number of issues reported by the Model Advisor for MAB checks.
- **AggregatedValue:** Number of issues reported by the Model Advisor for MAB checks aggregated for a component and its subcomponents.
- **Measures:** Not applicable.

Capabilities and Limitations

The metric:

- Runs on library models.
- Analyzes content in masked subsystems.
- If specified, analyzes the content of library-linked blocks or referenced models.
- Analyzes content in Stateflow objects.
- Adds check issues on the configuration set or issues with data objects to the issue count at the model root level.

See Also

- “Collect Model and Testing Metrics”
- “Model Advisor Checks for MAB and JMAAB Compliance” on page 2-105

Compliance Metrics for Model Advisor Configurations

The Metrics Dashboard and metric APIs can obtain compliance and issues metric data for your Model Advisor configuration or for an existing check group, such as the MISRA checks. To set up your own Model Advisor configuration, see “Use the Model Advisor Configuration Editor to Customize the Model Advisor”.

You can configure Model Advisor compliance metrics and Model Advisor compliance issues metrics.

Model Advisor Compliance Metrics

Metric Type: Compliance

Family ID: `mathworks.metrics.ModelAdvisorCheckCompliance`

Metric ID: `<Family ID>.<Model Advisor Check Group ID>`

Use this metric to calculate the fraction of Model Advisor checks that pass for the selected group of checks.

For Model Advisor compliance metrics, the **Family ID** is `mathworks.metrics.ModelAdvisorCheckCompliance`.

To obtain the Model Advisor **Check Group ID**, open the Model Advisor Configuration Editor and select the folder that contains the desired group of checks. The **Check Group ID** is shown in the **Information** tab. For information on the Model Advisor Configuration Editor, see “Use the Model Advisor Configuration Editor to Customize the Model Advisor”.

For an example of how to use Model Advisor compliance metrics, see “Customize Metrics Dashboard Layout and Functionality”.

Model Advisor Compliance Issues Metrics

Metric Type: Compliance

Family ID: `mathworks.metrics.ModelAdvisorCheckIssues`

Metric ID: `<Family ID>.<Model Advisor Check Group ID>`

Use this metric to calculate the number of issues reported by the selected group of Model Advisor checks. This metric counts each Model Advisor check, in the selected group of Model Advisor checks, that produces a warning or failure.

For Model Advisor compliance issues metrics, the **Family ID** is `mathworks.metrics.ModelAdvisorCheckIssues`.

To obtain the Model Advisor **Check Group ID**, open the Model Advisor Configuration Editor and select the folder that contains the desired group of checks. The **Check Group ID** is shown in the **Information** tab. For information on the Model Advisor Configuration Editor, see “Use the Model Advisor Configuration Editor to Customize the Model Advisor”.

For an example of how to use Model Advisor compliance metrics, see “Customize Metrics Dashboard Layout and Functionality”.

See Also

Related Examples

- [“Collect Model Metrics Using the Model Advisor”](#)
- [“Collect Model Metrics Programmatically”](#)
- [“Model Metric Data Aggregation”](#)
- [“Create a Custom Model Metric for Nonvirtual Block Count”](#)
- [“Customize Metrics Dashboard Layout and Functionality”](#)

Model Transformer Tasks

Model Transformer Tasks

In this section...

“Transformations” on page 3-2

“Replace Modeling Patterns with Variant Blocks” on page 3-2

“Eliminate Data Store Blocks” on page 3-3

“Transform Table Lookup Blocks to Prelookup and Interpolation Using Prelookup Blocks” on page 3-4

“Replace Interpolation Using Prelookup Blocks” on page 3-4

Use the Model Transformer app to refactor a model to implement variants, eliminate eligible data store blocks, and improve the simulation and code efficiency of table lookup operations. You can perform the steps in the Model Transformer all at once or one step at a time.

Transformations

You can use the Model Transformer app to replace:

- Qualifying modeling patterns with variant blocks.
- Data store blocks with blocks that make data dependency explicit
- Lookup Table blocks with Interpolation using Prelookup blocks
- Modeling patterns with multiple Interpolation using Prelookup blocks into a single Interpolation using Prelookup block

If you want to perform all the transformations, for each step, specify the input parameters. Then, click the **Run Selected Checks** button. After you run each check, create new models with the transformations by clicking the **Refactor Model** buttons.

If you want to perform one transformation at a time, you can individually select the checks.

Replace Modeling Patterns with Variant Blocks

Select the **Transform model to variant system** button to identify system constants to use in variant transformations and blocks that qualify for transformation into Variant Subsystem or Variant Source blocks. These transformations are possible:

- If an If block connects to one or more If Action Subsystem blocks and each If Action Subsystem block has one output port, replace this modeling pattern with a subsystem and a Variant Source block.
- If an If block connects to an If Action Subsystem block that has no output port or two or more output ports, replace this modeling pattern with a Variant Subsystem block.
- If a Switch Case block connects to one or more Switch Case Action Subsystem blocks and each Switch Case Action Subsystem block has one output port, replace this modeling pattern with a subsystem block and a Variant Source block.
- If a Switch Case block connects to a Switch Case Action Subsystem block that has no output port or two or more output ports, replace this modeling pattern with a Variant Subsystem block.
- Replace a Switch block with a Variant Source block.

- Replace a Multiport Switch block that has two or more data ports with a Variant Source block.

Note For some modelling patterns and settings, the Model Transformer cannot perform each one of the preceding transformations.

A system constant is a control input or part of an arithmetic expression that forms the control input to Multiport Switch or Switch blocks and the inputs to If or Switch Case blocks. You must use Constant blocks and a combination of blocks that form a supported MATLAB expression as the control input of these blocks. In the Constant block, the **Constant value** parameter is the system constants. In the transformed model, system constants are part of condition expressions in Variant Source or Variant Subsystem blocks.

After you run this transformation, the **Result** table displays each modeling pattern with a hyperlink to the corresponding location in the model. If you do not want the Model Transformer to perform a transformation, clear the check box next to the pattern.

Click **Refactor Model** to create a model that contains the transformations. The app creates the transformed model in a folder with the name `m2m_<original model name>`.

For an example that converts blocks in a model to variant block, see “Transform Model to Variant System”.

Eliminate Data Store Blocks

Select **Eliminate data store blocks** to identify Data Store Memory, Data Store Read, and Data Store Write blocks that qualify for elimination. Click the **Refactor Model** button to create a model that replaces these blocks with either a direct signal line, Delay block, or Merge block.

Replacing these blocks improves model readability by making the data dependency explicit. The Model Transformer can replace these data stores:

- For signals that are not buses, if a Data Store Read block executes before a Data Store Write block, the app replaces these blocks with a Delay block.
- For signals that are not buses, if a Data Store Write block executes before a Data Store Read block, the app replaces these blocks with a direct connection.
- For bus signals, if the write to bus elements executes before the read of the bus, the app replaces the Data Store Read and Data Store Write blocks with a direct connection and a Bus Creator block.
- For bus signals, if the write to the bus executes before the read of bus elements, the app replaces the Data Store Read and Data Store Write blocks with a direct connection and a Bus Selector block.
- For conditionally executed subsystems, the app replaces the Data Store Read and Data Store Write blocks with a direct connection and a Merge block.

The Model Transformer app only eliminates local data stores that Data Store Memory blocks define. The app does not eliminate global data stores. For the Data Store Memory block, on the **Signal Attributes** tab of the Block Parameters dialog box, the **Data store name must resolve to Simulink signal object** parameter must be cleared.

After you run this transformation, the **Result** table displays hyperlinks to the corresponding Data Store Memory, Data Store Read, and Data Store Write blocks. If you do not want the Model Transformer to perform a transformation, clear the check box next to the Data Store Memory block.

Click **Refactor Model** to create a model that contains the transformations. The app creates the transformed model in a folder with the name `m2m_<original model name>`.

For an example that replaces Data Store blocks in a model, see “Replace Data Store Blocks”.

Transform Table Lookup Blocks to Prelookup and Interpolation Using Prelookup Blocks

Select **Transform table lookup into prelookup and interpolation** to identify n-D Lookup Table blocks to transform into shared Prelookup blocks and Interpolation Using Prelookup blocks. Eliminating redundant Prelookup blocks in a model improves the simulation speed for linear interpolation.

The Model Transformer identifies where multiple n-D Lookup Table blocks:

- Use the same input signal for the Lookup Table blocks
- Have the same breakpoint specification, values, and data types
- Have the same algorithm parameters in the block parameters dialog box
- Have the same data type for fraction parameters

After you run this transformation, the **Result** table displays the identified blocks, their algorithm parameters, and the model, libraries, and referenced models. Select the blocks you want to transform, then click **Run This Check**.

For an example about the transformation, see “Improve Efficiency of Simulation by Optimizing Prelookup Operation of Lookup Table Blocks”. For more information about n-D Lookup Table blocks, see n-D Lookup Table.

Replace Interpolation Using Prelookup Blocks

Select **Common source interpolation transform** to identify multiple Interpolation Using Prelookup blocks that qualify for transformation with a single Interpolation Using Prelookup block. Eliminating the redundant Interpolation Using Prelookup blocks improves the code efficiency of the model.

The Model Transformer identifies when a model contains multiple Interpolation Using Prelookup that:

- Have the same input signals connected to Prelookup blocks with the same index and fraction parameters
- Have the output signals connected to the same switch block
- Have the same breakpoint specification, values, and data types
- Have the same algorithm parameters
- Have the same data type for fraction parameters

The Model Transformer app works if the properties of Interpolation Using Prelookup blocks are same except for **Table data**.

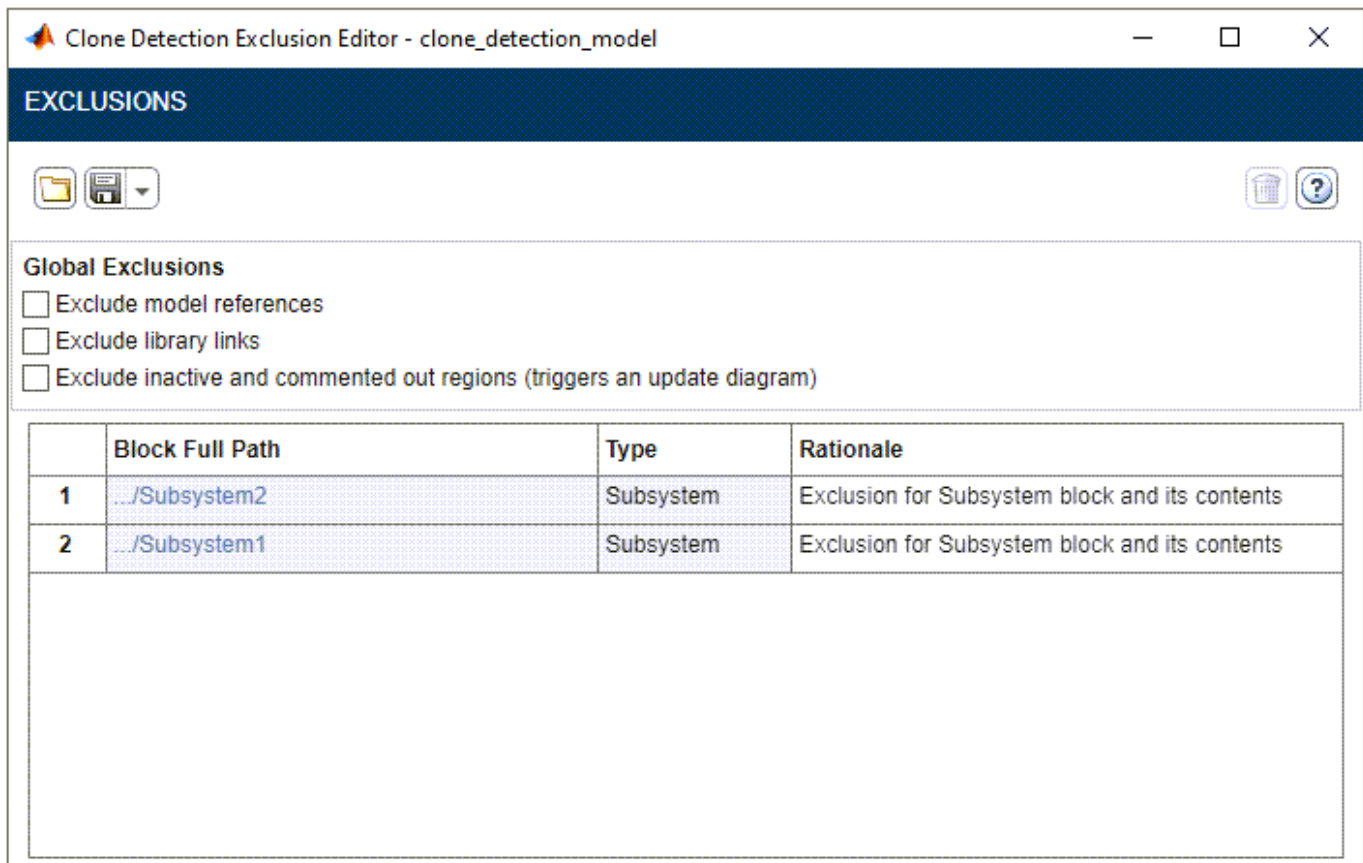
After you run this transformation, the **Result** table displays the identified blocks, their algorithm parameters, and the model, libraries, and referenced models. Select the blocks you want to transform, then click **Run This Check**.

For an example about the transformation, see “Improve Code Efficiency by Merging Multiple Interpolation Using Prelookup Blocks”. For more information about Interpolation Using Prelookup blocks, see “Using the Prelookup and Interpolation Blocks”.

Clone Detection Tasks

Exclude Components from Clone Detection

To save time during model development, you can limit the scope of the clone detection analysis to exclude Subsystem and Model blocks from clone detection. To exclude a subsystem or referenced model, right-click the subsystem or referenced model and select **Identify Modeling Clones > Subsystem and its contents > Add to exclusions**.



After you specify the Subsystem or Model blocks to exclude, the Clone Detector App uses the exclusion information to exclude blocks during analysis. By default, the exclusion information is stored in the model SLX file. Alternatively, you can store the information in a separate exclusion file. Unless you specify a different folder, the Clone Detection Exclusion Editor saves the exclusion files in the current folder.

If you create an exclusion file and save your model, you attach the exclusion file to your model. Each time that you open the model, the analysis excludes the blocks specified in the exclusion file.

To view exclusion information for a model, right-click a Subsystem or Model block and select **Identify Modeling Clones > Open Clone Detection Exclusion Editor**. For each subsystem or referenced model that you exclude from detection, you can use the **Rationale** field to provide a reason for excluding the block.

You can also select these properties in the Clone Detection Exclusion Editor:

- **Exclude model references** - Exclude model references.

- **Exclude library links** - Exclude subsystems that are external library links.
- **Exclude inactive and commented out regions** - Exclude modeling subsystems that are inactive during simulation, such as variant subsystems.

See Also

Related Examples

- “Enable Component Reuse by Using Clone Detection”
- “Replace Exact Clones with Subsystem Reference”

Model Testing Metrics

Description

Use this metric to determine whether a requirement is linked to a test case with a link where the **Type** is set to `Verifies`. The metric analyzes only requirements where the **Type** is set to `Functional` and that are linked to the unit with a link where the **Type** is set to `Implements`.

To collect data for this metric:

- In the Model Testing Dashboard, click a metric in the **Requirements Linked to Tests** section and, in the table, see the **Test Link Status** column.
- Use `getMetrics` with the metric identifier, `RequirementWithTestCase`.

Collecting data for this metric loads the model file and requires a Requirements Toolbox license.

Results

For this metric, instances of `metric.Result` return `Value` as one of these logical outputs:

- `0` — The requirement is not linked to test cases in the project.
- `1` — The requirement is linked to at least one test case with a link where the **Type** is set to `Verifies`.

Capabilities and Limitations

The metric:

- Analyzes only requirements where the **Type** is set to `Functional` and that are linked to the unit with a link where the **Type** is set to `Implements`.
- Counts links to test cases in the project where the link type is set to `Verifies`, including links to test cases that test other models or subsystems. For each requirement that is linked to test cases, check that the links are to test cases that run on the unit that implements the requirement.

See Also

For an example of collecting metrics programmatically, see “Collect Metrics on Model Testing Artifacts Programmatically”.

Percentage requirements with test cases

Metric ID: `RequirementWithTestCasePercentage`

Calculate the percentage of requirements that are linked to test cases.

Description

This metric counts the fraction of requirements that are linked to at least one test case with a link where the **Type** is set to `Verifies`. The metric analyzes only requirements where the **Type** is set to `Functional` and that are linked to a unit with a link where the **Type** is set to `Implements`.

This metric calculates the results by using the results of the `Requirement linked to test cases` metric.

To collect data for this metric:

- In the Model Testing Dashboard, view the **Requirements with Tests** widget.
- Use `getMetrics` with the metric identifier, `RequirementWithTestCasePercentage`.

Collecting data for this metric loads the model file and requires a Requirements Toolbox license.

Results

For this metric, instances of `metric.Result` return `Value` as a fraction structure that contains these fields:

- `Numerator` — The number of implemented requirements that are linked to at least one test case.
- `Denominator` — The total number of functional requirements implemented in the unit with a link where the **Type** is set to `Implements`.

Compliance Thresholds

The default compliance thresholds for this metric are:

- `Compliant` — 100% of unit requirements are linked to test cases
- `Non-Compliant` — Less than 100% of unit requirements are linked to test cases
- `Warning` — None

Capabilities and Limitations

The metric:

- Analyzes only requirements where the **Type** is set to `Functional` and that are linked to a unit with a link where the **Type** is set to `Implements`.
- Counts links to test cases in the project where the link type is set to `Verifies`, including links to test cases that test other models or subsystems. For each requirement that is linked to test cases, check that the links are to test cases that run on the unit that implements the requirement.

See Also

For an example of collecting metrics programmatically, see “Collect Metrics on Model Testing Artifacts Programmatically”.

Requirement with test case distribution

Metric ID: `RequirementWithTestCaseDistribution`

Distribution of the number of requirements linked to test cases compared to the number of requirements that are missing test cases.

Description

Use this metric to count the number of requirements that are linked to test cases and the number of requirements that are missing links to test cases. The metric analyzes only requirements where the **Type** is set to `Functional` and that are linked to a unit with a link where the **Type** is set to `Implements`. A requirement is linked to a test case if it has a link where the **Type** is set to `Verifies`.

This metric returns the result as a distribution of the results of the `Requirement linked to test cases` metric.

To collect data for this metric:

- In the Model Testing Dashboard, place your cursor over the **Requirements with Tests** widget.
- Use `getMetrics` with the metric identifier, `RequirementWithTestCaseDistribution`.

Collecting data for this metric loads the model file and requires a Requirements Toolbox license.

Results

For this metric, instances of `metric.Result` return `Value` as a distribution structure that contains these fields:

- `BinCounts` — The number of requirements in each bin, returned as an integer vector.
- `BinEdges` — The logical output results of the Requirement linked to test cases metric, returned as a vector with entries `0` (`false`) and `1` (`true`).

The first bin includes requirements that are not linked to test cases. The second bin includes requirements that are linked to at least one test case.

Compliance Thresholds

The default compliance thresholds for this metric are:

- `Compliant` — 0 requirements are missing links to test cases
- `Non-Compliant` — 1 or more requirements are missing links to test cases
- `Warning` — None

Capabilities and Limitations

The metric:

- Analyzes only requirements where the **Type** is set to `Functional` and that are linked to a unit with a link where the **Type** is set to `Implements`.
- Counts links to test cases in the project where the link type is set to `Verifies`, including links to test cases that test other models or subsystems. For each requirement that is linked to test cases, check that the links are to test cases that run on the unit that implements the requirement.

See Also

For an example of collecting metrics programmatically, see “Collect Metrics on Model Testing Artifacts Programmatically”.

Test cases per requirement

Metric ID: `TestCasesPerRequirement`

Count the number of test cases linked to each requirement.

Description

Use this metric to count the number of test cases linked to each requirement. The metric analyzes only requirements where the **Type** is set to `Functional` and that are linked to the unit with a link where the **Type** is set to `Implements`. A test case is linked to a requirement if it has a link where the **Type** is set to `Verifies`.

To collect data for this metric:

- In the Model Testing Dashboard, click a metric in the section **Tests per Requirement** to display the results in a table.
- Use `getMetrics` with the metric identifier, `TestCasesPerRequirement`.

Collecting data for this metric loads the model file and requires a Requirements Toolbox license.

Results

For this metric, instances of `metric.Result` return `Value` as an integer.

Capabilities and Limitations

The metric:

- Analyzes only requirements where the **Type** is set to `Functional` and that are linked to the unit with a link where the **Type** is set to `Implements`.
- Counts links to test cases in the project where the link type is set to `Verifies`, including links to test cases that test other models or subsystems. For each requirement that is linked to test cases, check that the links are to test cases that run on the unit that implements the requirement.

See Also

For an example of collecting metrics programmatically, see “Collect Metrics on Model Testing Artifacts Programmatically”.

Test cases per requirement distribution

Metric ID: `TestCasesPerRequirementDistribution`

Distribution of the number of test cases linked to each requirement.

Description

This metric returns a distribution of the number of test cases linked to each requirement. Use this metric to determine if requirements are linked to a disproportionate number of test cases. The metric analyzes only requirements where the **Type** is set to `Functional` and that are linked to the unit with a link where the **Type** is set to `Implements`. A test case is linked to a requirement if it has a link where the **Type** is set to `Verifies`.

This metric returns the result as a distribution of the results of the `Test cases per requirement` metric.

To collect data for this metric:

- In the Model Testing Dashboard, view the **Tests per Requirement** widget.
- Use `getMetrics` with the metric identifier, `TestCasesPerRequirementDistribution`.

Collecting data for this metric loads the model file and requires a Requirements Toolbox license.

Results

For this metric, instances of `metric.Result` return `Value` as a distribution structure that contains these fields:

- **BinCounts** — The number of requirements in each bin, returned as an integer vector.
- **BinEdges** — Bin edges for the number of test cases linked to each requirement, returned as an integer vector. **BinEdges(1)** is the left edge of the first bin, and **BinEdges(end)** is the right edge of the last bin. The length of **BinEdges** is one more than the length of **BinCounts**.

The bins in the result of this metric correspond to the bins **0**, **1**, **2**, **3**, and **>3** in the **Tests per Requirement** widget.

Compliance Thresholds

This metric does not have predefined thresholds. Consequently, this metric appears when you click **Uncategorized** in the **Overlays** section of the toolbar.

Capabilities and Limitations

The metric:

- Analyzes only requirements where the **Type** is set to **Functional** and that are linked to the unit with a link where the **Type** is set to **Implements**.
- Counts links to test cases in the project where the link type is set to **Verifies**, including links to test cases that test other models or subsystems. For each requirement that is linked to test cases, check that the links are to test cases that run on the unit that implements the requirement.

See Also

For an example of collecting metrics programmatically, see “Collect Metrics on Model Testing Artifacts Programmatically”.

Test linked to requirements

Metric ID: `TestCaseWithRequirement`

Determine whether a test case is linked to requirements.

Description

Use this metric to determine whether a test case is linked to a requirement with a link where the **Type** is set to **Verifies**. The metric analyzes only test cases that run on the model or subsystems in the unit for which you collect metric data.

To collect data for this metric:

- In the Model Testing Dashboard, click a metric in the **Tests Linked to Requirements** section and, in the table, see the **Requirement Link Status** column.
- Use `getMetrics` with the metric identifier, `TestCaseWithRequirement`.

Collecting data for this metric loads the model file and requires a Simulink Test license.

Results

For this metric, instances of `metric.Result` return `Value` as one of these logical outputs:

- `0` — The test case is not linked to requirements that are implemented in the unit.

- 1 — The test case is linked to at least one requirement with a link where the **Type** is set to `Verifies`.

Capabilities and Limitations

The metric:

- Analyzes only test cases in the project that test:
 - Unit models
 - Atomic subsystems
 - Atomic subsystem references
 - Atomic Stateflow charts
 - Atomic MATLAB Function blocks
 - Referenced models
- Counts only links where the **Type** is set to `Verifies` that link to requirements where the **Type** is set to `Functional`. This includes links to requirements that are not linked to the unit or are linked to other units. For each test case that is linked to requirements, check that the links are to requirements that are implemented by the unit that the test case runs on.

See Also

For an example of collecting metrics programmatically, see “Collect Metrics on Model Testing Artifacts Programmatically”.

Test linked to requirement percentage

Metric ID: `TestCaseWithRequirementPercentage`

Calculate the fraction of test cases that are linked to requirements.

Description

This metric counts the fraction of test cases that are linked to at least one requirement with a link where the **Type** is set to `Verifies`. The metric analyzes only test cases that run on the model or subsystems in the unit for which you collect metric data.

This metric calculates the results by using the results of the `Test linked to requirements` metric.

To collect data for this metric:

- In the Model Testing Dashboard, view the **Tests with Requirements** widget.
- Use `getMetrics` with the metric identifier, `TestCaseWithRequirementPercentage`.

Collecting data for this metric loads the model file and requires a Simulink Test license.

Results

For this metric, instances of `metric.Result` return `Value` as a fraction structure that contains these fields:

- **Numerator** — The number of test cases that are linked to at least one requirement with a link where the **Type** is set to **Verifies**.
- **Denominator** — The total number of test cases that test the unit.

Compliance Thresholds

The default compliance thresholds for this metric are:

- **Compliant** — 100% of test cases are linked to requirements
- **Non-Compliant** — Less than 100% of test cases are linked to requirements
- **Warning** — None

Capabilities and Limitations

The metric:

- Analyzes only test cases in the project that test:
 - Unit models
 - Atomic subsystems
 - Atomic subsystem references
 - Atomic Stateflow charts
 - Atomic MATLAB Function blocks
 - Referenced models
- Counts only links where the **Type** is set to **Verifies** that link to requirements where the **Type** is set to **Functional**. This includes links to requirements that are not linked to the unit or are linked to other units. For each test case that is linked to requirements, check that the links are to requirements that are implemented by the unit that the test case runs on.

See Also

For an example of collecting metrics programmatically, see “Collect Metrics on Model Testing Artifacts Programmatically”.

Test linked to requirement distribution

Metric ID: TestCaseWithRequirementDistribution

Distribution of the number of test cases linked to requirements compared to the number of test cases that are missing links to requirements.

Description

Use this metric to count the number of test cases that are linked to requirements and the number of test cases that are missing links to requirements. The metric analyzes only test cases that run on the model or subsystems in the unit for which you collect metric data. A test case is linked to a requirement if it has a link where the **Type** is set to **Verifies**.

This metric returns the result as a distribution of the results of the **Test linked to requirements** metric.

To collect data for this metric:

- In the Model Testing Dashboard, place your cursor over the **Tests with Requirements** widget.
- Use `getMetrics` with the metric identifier, `TestCaseWithRequirementDistribution`.

Collecting data for this metric loads the model file and requires a Simulink Test license.

Results

For this metric, instances of `metric.Result` return the `Value` as a distribution structure that contains these fields:

- `BinCounts` — The number of test cases in each bin, returned as an integer vector.
- `BinEdges` — The logical output results of the Test linked to requirements metric, returned as a vector with entries `0 (false)` and `1 (true)`.

The first bin includes test cases that are not linked to requirements. The second bin includes test cases that are linked to at least one requirement.

Compliance Thresholds

The default compliance thresholds for this metric are:

- `Compliant` — 0 unit tests are missing links to requirements
- `Non-Compliant` — 1 or more unit tests are missing links to requirements
- `Warning` — None

Capabilities and Limitations

The metric:

- Analyzes only test cases in the project that test:
 - Unit models
 - Atomic subsystems
 - Atomic subsystem references
 - Atomic Stateflow charts
 - Atomic MATLAB Function blocks
 - Referenced models
- Counts only links where the **Type** is set to `Verifies` that link to requirements where the **Type** is set to `Functional`. This includes links to requirements that are not linked to the unit or are linked to other units. For each test case that is linked to requirements, check that the links are to requirements that are implemented by the unit that the test case runs on.

See Also

For an example of collecting metrics programmatically, see “Collect Metrics on Model Testing Artifacts Programmatically”.

Requirements per test case

Metric ID: `RequirementsPerTestCase`

Count the number of requirements linked to each test case.

Description

Use this metric to count the number of requirements linked to each test case. The metric analyzes only test cases that run on the model or subsystems in the unit for which you collect metric data. A test case is linked to a requirement if it has a link where the **Type** is set to `Verifies`.

To collect data for this metric:

- In the Model Testing Dashboard, click a metric in the section **Requirements per Test** to display the results in a table.
- Use `getMetrics` with the metric identifier, `RequirementsPerTestCase`.

Collecting data for this metric loads the model file and requires a Simulink Test license.

Results

For this metric, instances of `metric.Result` return `Value` as an integer.

Capabilities and Limitations

The metric:

- Analyzes only test cases in the project that test:
 - Unit models
 - Atomic subsystems
 - Atomic subsystem references
 - Atomic Stateflow charts
 - Atomic MATLAB Function blocks
 - Referenced models
- Counts only links where the **Type** is set to `Verifies` that link to requirements where the **Type** is set to `Functional`. This includes links to requirements that are not linked to the unit or are linked to other units. For each test case that is linked to requirements, check that the links are to requirements that are implemented by the unit that the test case runs on.

See Also

For an example of collecting metrics programmatically, see “Collect Metrics on Model Testing Artifacts Programmatically”.

Requirements per test case distribution

Metric ID: `RequirementsPerTestCaseDistribution`

Distribution of the number of requirements linked to each test case.

Description

This metric returns a distribution of the number of requirements linked to each test case. Use this metric to determine if test cases are linked to a disproportionate number of requirements. The metric analyzes only test cases that run on the model or subsystems in the unit for which you collect metric data. A test case is linked to a requirement if it has a link where the **Type** is set to `Verifies`.

This metric returns the result as a distribution of the results of the **Requirements per test case** metric.

To collect data for this metric:

- In the Model Testing Dashboard, view the **Requirements per Test** widget.
- Use `getMetrics` with the metric identifier, `RequirementsPerTestCaseDistribution`.

Collecting data for this metric loads the model file and requires a Simulink Test license.

Results

For this metric, instances of `metric.Result` return `Value` as a distribution structure that contains these fields:

- `BinCounts` — The number of test cases in each bin, returned as an integer vector.
- `BinEdges` — Bin edges for the number of requirements linked to each test case, returned as an integer vector. `BinEdges(1)` is the left edge of the first bin, and `BinEdges(end)` is the right edge of the last bin. The length of `BinEdges` is one more than the length of `BinCounts`.

The bins in the result of this metric correspond to the bins **0**, **1**, **2**, **3**, and **>3** in the **Requirements per Test** widget.

Compliance Thresholds

This metric does not have predefined thresholds. Consequently, this metric appears when you click **Uncategorized** in the **Overlays** section of the toolstrip.

Capabilities and Limitations

The metric:

- Analyzes only test cases in the project that test:
 - Unit models
 - Atomic subsystems
 - Atomic subsystem references
 - Atomic Stateflow charts
 - Atomic MATLAB Function blocks
 - Referenced models
- Counts only links where the **Type** is set to `Verifies` that link to requirements where the **Type** is set to `Functional`. This includes links to requirements that are not linked to the unit or are linked to other units. For each test case that is linked to requirements, check that the links are to requirements that are implemented by the unit that the test case runs on.

See Also

For an example of collecting metrics programmatically, see “Collect Metrics on Model Testing Artifacts Programmatically”.

Test case type

Metric ID: `TestCaseType`

Return the type of the test case.

Description

This metric returns the type of the test case. A test case is either a baseline, equivalence, or simulation test.

- Baseline tests compare outputs from a simulation to expected results stored as baseline data.
- Equivalence tests compare the outputs from two different simulations. Simulations can run in different modes, such as normal simulation and software-in-the-loop.
- Simulation tests run the system under test and capture simulation data. If the system under test contains blocks that verify simulation, such as Test Sequence and Test Assessment blocks, the pass/fail results are reflected in the simulation test results.

To collect data for this metric:

- In the Model Testing Dashboard, click a widget in the section **Tests by Type** to display the results in a table.
- Use `getMetrics` with the metric identifier, `TestCaseType`.

Collecting data for this metric loads the model file and test files and requires a Simulink Test license.

Results

For this metric, instances of `metric.Result` return `Value` as one of these integer outputs:

- 0 — Simulation test
- 1 — Baseline test
- 2 — Equivalence test

Capabilities and Limitations

The metric includes only test cases in the project that test the model or subsystems in the unit for which you collect metric data.

See Also

For an example of collecting metrics programmatically, see “Collect Metrics on Model Testing Artifacts Programmatically”.

Test case type distribution

Metric ID: `TestCaseTypeDistribution`

Distribution of the types of the test cases for the unit.

Description

This metric returns a distribution of the types of test cases that run on the unit. A test case is either a baseline, equivalence, or simulation test. Use this metric to determine if there is a disproportionate number of test cases of one type.

- Baseline tests compare outputs from a simulation to expected results stored as baseline data.

- Equivalence tests compare the outputs from two different simulations. Simulations can run in different modes, such as normal simulation and software-in-the-loop.
- Simulation tests run the system under test and capture simulation data. If the system under test contains blocks that verify simulation, such as Test Sequence and Test Assessment blocks, the pass/fail results are reflected in the simulation test results.

This metric returns the result as a distribution of the results of the `Test case type` metric.

To collect data for this metric:

- In the Model Testing Dashboard, view the **Tests by Type** widget.
- Programmatically, use `getMetrics` with the metric identifier, `TestCaseTypeDistribution`.

Collecting data for this metric loads the model file and requires a Simulink Test license.

Results

For this metric, instances of `metric.Result` return `Value` as a distribution structure that contains these fields:

- `BinCounts` — The number of test cases in each bin, returned as an integer vector.
- `BinEdges` — The outputs of the Test case type metric, returned as an integer vector. The integer outputs represent the three test case types:
 - 0 — Simulation test
 - 1 — Baseline test
 - 2 — Equivalence test

Compliance Thresholds

This metric does not have predefined thresholds. Consequently, this metric appears when you click **Uncategorized** in the **Overlays** section of the toolstrip.

Capabilities and Limitations

The metric includes only test cases in the project that test the model or subsystems in the unit for which you collect metric data.

See Also

For an example of collecting metrics programmatically, see “Collect Metrics on Model Testing Artifacts Programmatically”.

Test case tag

Metric ID: `TestCaseTag`

Return the tags for a test case.

Description

This metric returns the tags for a test case. You can add custom tags to a test case by using the Test Manager.

To collect data for this metric:

- In the Model Testing Dashboard, click a widget in the **Tests with Tag** section to display the results in a table.
- Use `getMetrics` with the metric identifier, `TestCaseTag`.

Collecting data for this metric loads the model file and test files and requires a Simulink Test license.

Results

For this metric, instances of `metric.Result` return `Value` as a string.

Capabilities and Limitations

The metric includes only test cases in the project that test the model or subsystems in the unit for which you collect metric data.

See Also

For an example of collecting metrics programmatically, see “Collect Metrics on Model Testing Artifacts Programmatically”.

Test case tag distribution

Metric ID: `TestCaseTagDistribution`

Distribution of the tags of the test cases for the unit.

Description

This metric returns a distribution of the tags on the test cases that run on the unit. For a test case, you can specify custom tags in a comma-separated list in the Test Manager. Use this metric to determine if there is a disproportionate number of test cases that have a particular tag.

This metric returns the result as a distribution of the results of the `Test case tag` metric.

To collect data for this metric:

- In the Model Testing Dashboard, view the **Tests with Tag** widget.
- Use `getMetrics` with the metric identifier, `TestCaseTagDistribution`.

Collecting data for this metric loads the model file and requires a Simulink Test license.

Results

For this metric, instances of `metric.Result` return `Value` as a distribution structure that contains these fields:

- `BinCounts` — The number of test cases in each bin, returned as an integer vector.
- `BinEdges` — The bin edges for the tags that are specified for the test cases, returned as a string array.

Compliance Thresholds

This metric does not have predefined thresholds. Consequently, this metric appears when you click **Uncategorized** in the **Overlays** section of the toolstrip.

Capabilities and Limitations

The metric includes only test cases in the project that test the model or subsystems in the unit for which you collect metric data.

See Also

For an example of collecting metrics programmatically, see “Collect Metrics on Model Testing Artifacts Programmatically”.

Test case status

Metric ID: TestCaseStatus

Return the status of the test case result.

Description

This metric returns the status of the test case result. A test status is passed, failed, disabled, or untested.

To collect data for this metric:

- In the Model Testing Dashboard, click a widget in the **Model Test Status** section to display the results in a table.
- Use `getMetrics` with the metric identifier, `TestCaseStatus`.

Collecting data for this metric loads the model file and test result files and requires a Simulink Test license.

Results

For this metric, instances of `metric.Result` return `Value` as one of these integer outputs:

- 0 — The test case failed.
- 1 — The test case passed.
- 2 — The test case was disabled.
- 3 — The test case was not run (untested).

Capabilities and Limitations

The metric:

- Includes only test cases in the project that test the model or subsystems in the unit for which you collect metric data.
- Does not count the status of test cases that run in software-in-the-loop (SIL) or processor-in-the-loop (PIL) mode. The metric shows these test cases as untested.

- Reflects the status of the whole test case if the test case includes multiple iterations.

See Also

For an example of collecting metrics programmatically, see “Collect Metrics on Model Testing Artifacts Programmatically”.

Test case status percentage

Metric ID: TestCaseStatusPercentage

Calculate the fraction of test cases that passed.

Description

This metric counts the fraction of test cases that passed in the test results.

This metric calculates the results by using the results of the `Test case status` metric.

To collect data for this metric:

- In the Model Testing Dashboard, in the **Model Test Status** section, place your cursor over the **Passed** widget.
- Use `getMetrics` with the metric identifier, `TestCaseStatusPercentage`.

Collecting data for this metric loads the model file and requires a Simulink Test license.

Results

For this metric, instances of `metric.Result` return `Value` as a fraction structure that contains these fields:

- `Numerator` — The number of test cases that passed.
- `Denominator` — The total number of test cases that test the unit.

Compliance Thresholds

The default compliance thresholds for this metric are:

- `Compliant` — 100% of test cases passed
- `Non-Compliant` — Less than 100% of test cases passed
- `Warning` — None

Capabilities and Limitations

The metric:

- Includes only test cases in the project that test the model or subsystems in the unit for which you collect metric data.
- Does not count the status of test cases that run in software-in-the-loop (SIL) or processor-in-the-loop (PIL) mode. The metric shows these test cases as untested.
- Reflects the status of the whole test case if the test case includes multiple iterations.

See Also

For an example of collecting metrics programmatically, see “Collect Metrics on Model Testing Artifacts Programmatically”.

Test case status distribution

Metric ID: `TestCaseStatusDistribution`

Distribution of the statuses of the test case results for the unit.

Description

This metric returns a distribution of the status of the results of test cases that run on the unit. A test status is passed, failed, disabled, or untested.

This metric returns the result as a distribution of the results of the `Test case type` metric.

To collect data for this metric:

- In the Model Testing Dashboard, use the widgets in the **Model Test Status** section to see the results.
- Use `getMetrics` with the metric identifier, `TestCaseStatusDistribution`.

Collecting data for this metric loads the model file and requires a Simulink Test license.

Results

For this metric, instances of `metric.Result` return `Value` as a distribution structure that contains these fields:

- `BinCounts` — the number of test cases in each bin, returned as an integer vector.
- `BinEdges` — The outputs of the Test case status metric, returned as an integer vector. The integer outputs represent the test result statuses:
 - 0 — The test case failed.
 - 1 — The test case passed.
 - 2 — The test case was disabled.
 - 3 — The test case was not run (untested).

Compliance Thresholds

The default compliance thresholds for this metric are:

- **Compliant:**
 - 0 unit tests are untested.
 - 0 unit tests failed.
 - 0 unit tests are disabled.
- **Non-Compliant** — 1 or more unit tests are untested, disabled, or have failed.
- **Warning** — None

Capabilities and Limitations

The metric:

- Includes only test cases in the project that test the model or subsystems in the unit for which you collect metric data.
- Does not count the status of test cases that run in software-in-the-loop (SIL) or processor-in-the-loop (PIL) mode. The metric shows these test cases as untested.
- Reflects the status of the whole test case if the test case includes multiple iterations.

See Also

For an example of collecting metrics programmatically, see “Collect Metrics on Model Testing Artifacts Programmatically”.

Test case includes pass/fail criteria

Metric ID: TestCaseVerificationStatus

This metric determines whether the test case has pass/fail criteria such as verify statements, verification blocks, custom criteria, and logical or temporal assessments.

Description

Use this metric to determine whether a test case has pass/fail criteria.

A test case has pass/fail criteria if it has at least one of the following:

- at least one executed verify statement
- at least one executed temporal or logical assessment
- custom criteria that has a pass/fail status in Simulink Test Manager
- baseline criteria which determine the pass/fail criteria of the test case

To collect data for this metric:

- In the Model Testing Dashboard, in the **Model Test Status** section, click the **Inconclusive** widget to view the `TestCaseVerificationStatus` results in a table.
- Use `getMetrics` with the metric identifier, `TestCaseVerificationStatus`.

Collecting data for this metric loads the model file and test result files and requires a Simulink Test license.

Results

For this metric, instances of `metric.Result` return `Value` as one of these integer outputs:

- 0 — The test case is missing pass/fail criteria.
- 1 — The test case has pass/fail criteria.
- 2 — The test case was not run.

Capabilities and Limitations

The metric:

- Includes only test cases in the project that test the model or subsystems in the unit for which you collect metric data.
- Does not count the pass/fail criteria of test cases that run in software-in-the-loop (SIL) or processor-in-the-loop (PIL) mode. The metric shows these test cases as **Missing Pass/Fail Criteria**.
- Reflects the status of the whole test case if the test case includes multiple iterations.

See Also

For an example of collecting metrics programmatically, see “Collect Metrics on Model Testing Artifacts Programmatically”.

Test case includes pass/fail criteria distribution

Metric ID: TestCaseVerificationStatusDistribution

Distribution of the number of test cases that do not have pass/fail criteria compared to the number of test cases that do have pass/fail criteria.

Description

Use this metric to count the number of test cases that do not have pass/fail criteria and the number of test cases that do have pass/fail criteria.

A test case has pass/fail criteria if it has at least one of the following:

- at least one executed verify statement
- at least one executed temporal or logical assessment
- custom criteria that has a pass/fail status in Simulink Test Manager
- baseline criteria which determine the pass/fail criteria of the test case

This metric returns the result as a distribution of the results of the `TestCaseVerificationStatusDistribution` metric.

To collect data for this metric:

- In the Model Testing Dashboard, in the **Model Test Status** section, place your cursor over the **Inconclusive** widget.
- Use `getMetrics` with the metric identifier, `TestCaseVerificationStatusDistribution`.

Collecting data for this metric loads the model file and test files and requires a Simulink Test license.

Results

For this metric, instances of `metric.Result` return `Value` as a distribution structure that contains these fields:

- `BinCounts` — The number of test cases in each bin, returned as an integer vector.

- **BinEdges** — The outputs of the `TestCaseVerificationStatus` metric, returned as an integer vector. The integer outputs represent the three test case verification statuses:
 - 0 — The test case is missing pass/fail criteria.
 - 1 — The test case has pass/fail criteria.
 - 2 — The test case was not run.

Compliance Thresholds

The default compliance thresholds for this metric are:

- **Compliant** — 0 unit tests are missing pass/fail criteria
- **Non-Compliant** — 1 or more unit tests do not have pass/fail criteria
- **Warning** — None

Capabilities and Limitations

The metric:

- Includes only test cases in the project that test the model or subsystems in the unit for which you collect metric data.
- Does not count the pass/fail criteria of test cases that run in software-in-the-loop (SIL) or processor-in-the-loop (PIL) mode. The metric shows these test cases as **Missing Pass/Fail Criteria**.
- Reflects the status of the whole test case if the test case includes multiple iterations.

See Also

For an example of collecting metrics programmatically, see “Collect Metrics on Model Testing Artifacts Programmatically”.

Justified and achieved execution coverage

Metric ID: `ExecutionCoverageBreakdown`

Model condition coverage achieved by test cases and justifications.

Description

This metric returns the model execution coverage measured in the test results. The metric result includes the percentage of execution coverage achieved by the test cases, the percentage of coverage justified in coverage filters, and the percentage of execution coverage missed by the tests.

To collect data for this metric:

- In the Model Testing Dashboard, in the **Model Coverage** section, place your cursor over the bars in the **Execution** widget.
- Use `getMetrics` with the metric identifier, `ExecutionCoverageBreakdown`.

Collecting data for this metric loads the model file and test results files and requires a Simulink Coverage license.

Results

For this metric, instances of `metric.Result` return the `Value` as a double vector that contains these elements.

- `Value(1)` — The percentage of execution coverage achieved by the tests.
- `Value(2)` — The percentage of execution coverage justified by coverage filters.
- `Value(3)` — The percentage of execution coverage missed by the tests.

Compliance Thresholds

The default compliance thresholds for this metric are:

- `Compliant` — Test results return 0% missed coverage
- `Non-Compliant` — Test results return missing coverage
- `Warning` — None

Capabilities and Limitations

The metric:

- Returns aggregated coverage results.
- Does not include coverage from test cases that run in software-in-the-loop (SIL) or processor-in-the-loop (PIL) mode.
- Returns 100% coverage for models that do not have execution points.

See Also

For an example of collecting metrics programmatically, see “Collect Metrics on Model Testing Artifacts Programmatically”.

Justified and achieved condition coverage

Metric ID: `ConditionCoverageBreakdown`

Model condition coverage achieved by test cases and justifications.

Description

This metric returns the model condition coverage measured in the test results. The metric result includes the percentage of condition coverage achieved by the test cases, the percentage of coverage justified in coverage filters, and the percentage of condition coverage missed by the tests.

To collect data for this metric:

- In the Model Testing Dashboard, in the **Model Coverage** section, place your cursor over the bars in the **Condition** widget.
- Use `getMetrics` with the metric identifier, `ConditionCoverageBreakdown`.

Collecting data for this metric loads the model file and test results files and requires a Simulink Coverage license.

Results

For this metric, instances of `metric.Result` return the `Value` as a double vector that contains these elements:

- `Value(1)` — The percentage of condition coverage achieved by the tests.
- `Value(2)` — The percentage of condition coverage justified by coverage filters.
- `Value(3)` — The percentage of condition coverage missed by the tests.

Compliance Thresholds

The default compliance thresholds for this metric are:

- `Compliant` — Test results return 0% missed coverage
- `Non-Compliant` — Test results return missed coverage
- `Warning` — None

Capabilities and Limitations

The metric:

- Returns aggregated coverage results.
- Does not include coverage from test cases that run in software-in-the-loop (SIL) or processor-in-the-loop (PIL) mode.
- Returns 100% coverage for models that do not have condition points.

See Also

For an example of collecting metrics programmatically, see “Collect Metrics on Model Testing Artifacts Programmatically”.

Justified and achieved decision coverage

Metric ID: `DecisionCoverageBreakdown`

Model decision coverage achieved by test cases and justifications.

Description

This metric returns the model decision coverage measured in the test results. The metric result includes the percentage of decision coverage achieved by the test cases, the percentage of coverage justified in coverage filters, and the percentage of decision coverage missed by the tests.

To collect data for this metric:

- In the Model Testing Dashboard, in the **Model Coverage** section, place your cursor over the bars in the **Decision** widget.
- Use `getMetrics` with the metric identifier, `DecisionCoverageBreakdown`.

Collecting data for this metric loads the model file and test results files and requires a Simulink Coverage license.

Results

For this metric, instances of `metric.Result` return the `Value` as a double vector that contains these elements:

- `Value(1)` — The percentage of decision coverage achieved by the tests.
- `Value(2)` — The percentage of decision coverage justified by coverage filters.
- `Value(3)` — The percentage of decision coverage missed by the tests.

Compliance Thresholds

The default compliance thresholds for this metric are:

- `Compliant` — Test results return 0% missed coverage
- `Non-Compliant` — Test results return missing coverage
- `Warning` — None

Capabilities and Limitations

The metric:

- Returns aggregated coverage results.
- Does not include coverage from test cases that run in software-in-the-loop (SIL) or processor-in-the-loop (PIL) mode.
- Returns 100% coverage for models that do not have decision points.

See Also

For an example of collecting metrics programmatically, see “Collect Metrics on Model Testing Artifacts Programmatically”.

Justified and achieved MC/DC coverage

Metric ID: `MCDCCoverageBreakdown`

Model modified condition and decision (MCDC) coverage achieved by test cases and justifications.

Description

This metric returns the modified condition and decision (MCDC) measured in the test results. The metric result includes the percentage of MCDC coverage achieved by the test cases, the percentage of coverage justified in coverage filters, and the percentage of MCDC coverage missed by the tests.

To collect data for this metric:

- In the Model Testing Dashboard, in the **Model Coverage** section, place your cursor over the bars in the **MC/DC** widget.
- Use `getMetrics` with the metric identifier, `MCDCCoverageBreakdown`.

Collecting data for this metric loads the model file and test results files and requires a Simulink Coverage license.

Results

For this metric, instances of `metric.Result` return the `Value` as a double vector that contains these elements:

- `Value(1)` — The percentage of MCDC coverage achieved by the tests.
- `Value(2)` — The percentage of MCDC coverage justified by coverage filters.
- `Value(1)` — The percentage of MCDC coverage missed by the tests.

Compliance Thresholds

The default compliance thresholds for this metric are:

- `Compliant` — Test results return 0% missed coverage
- `Non-Compliant` — Test results return missing coverage
- `Warning` — None

Capabilities and Limitations

The metric:

- Returns aggregated coverage results.
- Does not include coverage from test cases that run in software-in-the-loop (SIL) or processor-in-the-loop (PIL) mode.
- Returns 100% coverage for models that do not have condition/decision points.

See Also

For an example of collecting metrics programmatically, see “Collect Metrics on Model Testing Artifacts Programmatically”.

Coverage Fragments

Execution coverage

Metric ID: ExecutionCoverageFragment

Execution coverage for the specified model.

Decision coverage

Metric ID: DecisionCoverageFragment

Decision coverage for the specified model.

Condition coverage

Metric ID: ConditionCoverageFragment

Condition coverage for the specified model.

MC/DC coverage

Metric ID: MCDCCoverageFragment


Modified condition/decision coverage for the specified model.

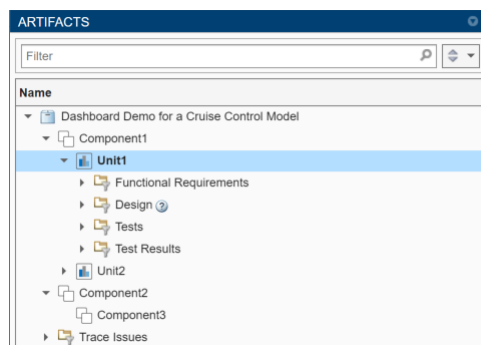
Artifact Tracing

Units in the Model Testing Dashboard

A *unit* is a functional entity in your software architecture that you can execute and test independently or as part of larger system tests. Software development standards, such as ISO 26262-6, define objectives for unit testing. Unit tests typically must cover each of the requirements for the unit and must demonstrate traceability between the requirements, the test cases, and the unit. Unit tests must also meet certain coverage objectives for the unit, such as modified condition/decision coverage.

You can label models as units in the Model Testing Dashboard. The dashboard then provides metric results for each unit. If you do not specify the models that are considered units, then the dashboard considers a model to be a unit if it does not reference other models.

In the Model Testing Dashboard, in the **Artifacts** panel, the unit dashboard icon  indicates a unit. If a unit is referenced by a component, it appears under the component. If a unit references one or more other models, those models are part of the unit. The referenced models appear in the **Design** folder under the unit and contribute to the metric results for the unit.



To specify which models are units, label them in your project and configure the dashboard to recognize the label, as shown in “Specify Models as Components and Units”.


Components in the Model Testing Dashboard

A *component* is an entity that integrates multiple testable units together. For example:

- A model that references multiple unit models could be a component model.
- A System Composer™ architecture model could be a component. Supported architectures include System Composer architecture models, System Composer software architecture models, and AUTOSAR architectures.
- A component could also integrate other components.

The Model Testing Dashboard organizes components and units under the components that reference them in the **Artifacts** panel. The dashboard does not provide metric results for components because components typically must meet different testing objectives than units.

If you do not specify the models that are considered components, then the dashboard considers a model to be a component if it references one or more other models.

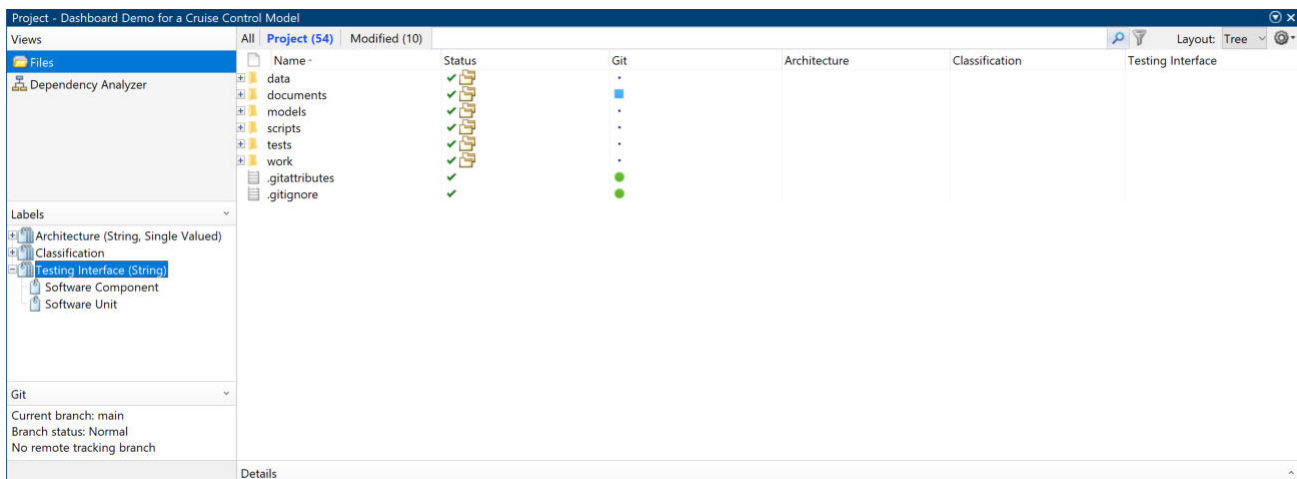
In the Model Testing Dashboard, in the **Artifacts** panel, the component icon  indicates a component. To see the units under a component, expand the component node by clicking the arrow next to the component icon.

To specify the models that are considered components, label them in your project and configure the dashboard to recognize the label, as shown in “Specify Models as Components and Units”.

Specify Models as Components and Units

You can control which models appear as units and components by labeling them in your project and configuring the Model Testing Dashboard to recognize the labels.

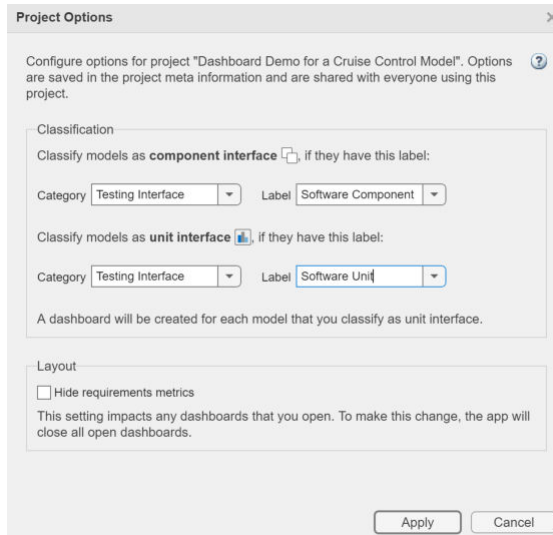
- 1 Open your project. For example, at the command line, type `dashboardCCProjectStart`. This example project already has component and unit models configured.
- 2 In MATLAB, at the bottom left of the **Project** window, right-click in the **Labels** pane and click **Create New Category**. Type a name for the category that will contain your testing architecture labels, for example, `Testing Interface` and then click **Create**.
- 3 Create a label for the units. On the **Labels** pane, right-click the category that you created and click **Create New Label**. Type the label name `Software Unit` and click **OK**.
- 4 Create another label for component models and name the label `Software Component`.



The unit and component labels appear under the category in the **Labels** pane.

- 5 Label the models in the project as components and units. In the project pane, right-click a model and click **Add label**. In the dialog box, select the label and click **OK**. For this example, apply these labels:
 - `db_Controller` — Software Component
 - `db_ControlMode` — Software Unit
 - `db_DriverSwRequest` — Software Unit
 - `db_LightControl` — Software Unit
 - `db_TargetSpeedThrottle` — Software Unit
- 6 To open the Model Testing Dashboard, use one of these approaches:

- On the **Project** tab, in the **Tools** section, click **Model Testing Dashboard**.
 - At the MATLAB command line, enter `modelTestingDashboard`.
- 7 In the **Dashboard** tab, click **Options**.
- 8 In the Project Options dialog box, in the **Classification** section, specify the category and labels that you created for the components and units. For the component interface, set **Category** to **Testing Interface** and **Label** to **Software Component**. For the unit interface, set **Category** to **Testing Interface** and **Label** to **Software Unit**.



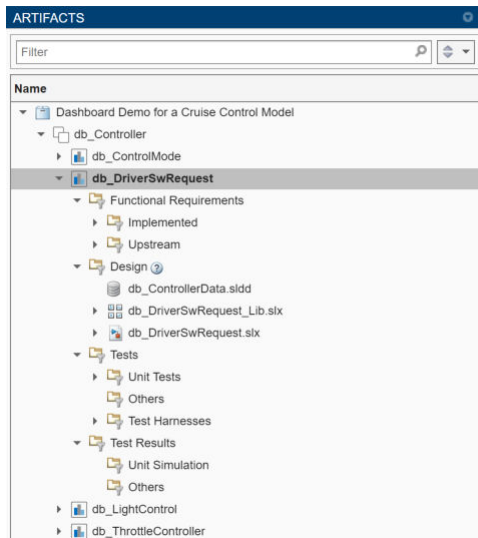
- 9 Click **Apply**. The dashboard updates the traceability information in the **Artifacts** panel and organizes the models under the component models that reference them. If a model is not referenced by a component, it appears at the top level with the components.

For each unit, the dashboard shows the artifacts that trace to the unit. To view the metric results for a unit, click the unit name in the **Artifacts** panel. The dashboard shows the model testing metric results for the unit that you select.

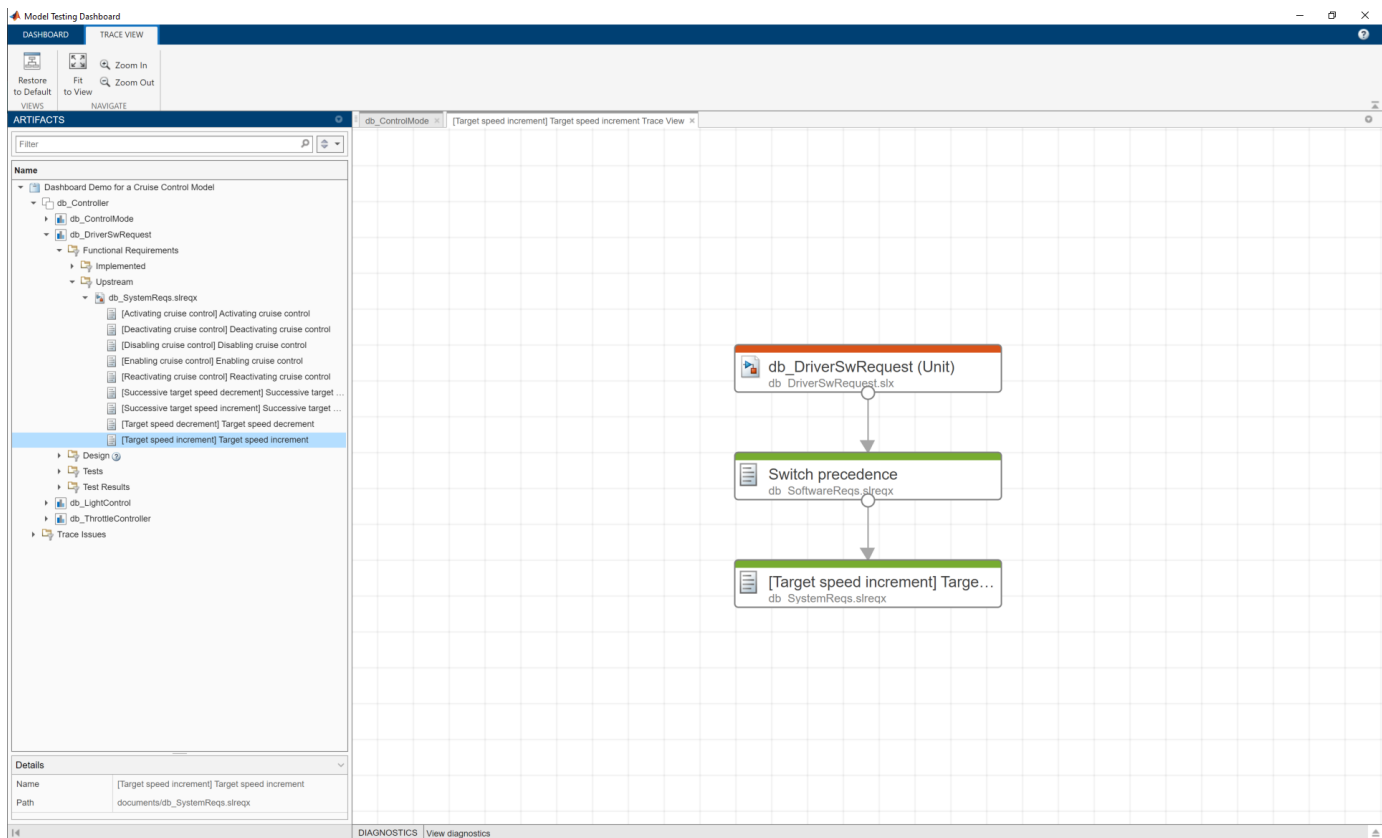
Trace Artifacts to Units for Model Testing Analysis

To determine which artifacts are in the scope of a unit, the Model Testing Dashboard analyzes the traceability links between the artifacts and the software unit models in the project. The **Artifacts** panel lists the units, organized by the components that reference them. Under each unit, the panel shows these artifacts that trace to the unit:

- Functional Requirements
- Design Artifacts
- Tests
- Test Results



To see the traceability path that the dashboard found from an artifact to its unit, right-click the artifact and click **View trace to unit**. A traceability graph opens in a new tab in the Model Testing Dashboard. The graph shows the connections and intermediate artifacts that the dashboard traced from the unit to the artifact. To see the type of traceability that connects two artifacts, place your cursor over the arrow that connects the artifacts. The traceability relationship is either one artifact containing the other or one artifact tracing to the other. For example, for the unit **db_DriverSwRequest**, expand **Functional Requirements > Upstream > db_SystemReqs.slreqx**. Right-click the requirement for **Target speed increment** and click **View trace to unit**. The trace view shows that the unit **db_DriverSwRequest** traces to the implemented functional requirement **Switch precedence**, which traces to the upstream functional requirement **Target speed increment**.



Under the list of components is the folder **Trace Issues** which contains unexpected requirement links, requirements links which are broken or not supported by the dashboard, and artifacts that the dashboard cannot trace to a unit. To help identify the type of tracing issue, the folder **Trace Issues** contains subfolders for **Unexpected Implementation Links, Unresolved and Unsupported Links, Untraced Tests, and Untraced Results**. For more information, see “Fix Requirements-Based Testing Issues”.

If an artifact returns an error during traceability analysis, the panel includes the artifact in an **Errors** folder. Use the traceability information in these sections and in the units to check if the testing artifacts trace to the units that you expect. To see details about the warnings and errors that the dashboard finds during artifact analysis, at the bottom of the Model Testing Dashboard dialog, click **Diagnostics**.

As you edit and save the artifacts in your project, the dashboard tracks your changes and indicates if the traceability data in the **Artifacts** panel might be stale by showing a warning banner. To update the traceability data, click the **Trace Artifacts** button on the warning banner.

Functional Requirements

The folder **Functional Requirements** shows requirements of **Type Functional** that are either implemented by or upstream of the unit.

When you collect metric results for a unit, the dashboard analyzes only functional requirements that the unit directly implements. The folder **Functional Requirements** contains two subfolders to help identify which requirements are implemented by the unit or are upstream of the unit:

- **Implemented** — Functional requirements that are directly linked to the unit with a link **Type** of **Implements**. The dashboard uses these requirements in the metrics for the unit.
- **Upstream** — Functional requirements that are indirectly or transitively linked to the implemented requirements. The dashboard does not use these requirements in the metrics for the unit.

If a requirement does not trace to a unit, it appears in the “Trace Issues” on page 5-33 folder. If a requirement does not appear in the **Artifacts** panel when you expect it to, see “Requirement Missing from Artifacts Panel”.

Use the Requirements Toolbox to create or import the requirements in a requirements file (.slreqx).

Design Artifacts

The folder **Design** shows:

- The model file that contains the block diagram for the unit.
- Models that the unit references.
- Libraries that are partially or fully used by the model.
- Data dictionaries that are linked to the model.

Tests

The folder **Tests** shows test cases and test harnesses that trace to the unit. This includes test cases that run on the unit and test cases that run on subsystems in the unit model by using test harnesses.

When you collect metric results for a unit, the dashboard analyzes only test cases that run on the unit model or unit model subsystems. The folder **Tests** contains subfolders to help identify which test cases are testing the unit and which test harnesses trace to the unit:

- **Unit Tests** — Test cases that the dashboard considers as unit tests. A unit test directly tests either the entire unit model or the model subsystems. The dashboard uses these tests in the metrics for the unit.
- **Others** — Test cases that trace to the unit but that the dashboard does not consider as unit tests. For example, the dashboard does not consider tests on a library to be unit tests. The dashboard does not use these tests in the metrics for the unit.
- **Test Harnesses** — External test harnesses that trace to the unit or unit subsystems. Double-click a test harness to open it.

If a test case does not trace to a unit, it appears in the “Trace Issues” on page 5-33 folder. If a test case does not appear in the **Artifacts** panel when you expect it to, see “Test Case Missing from Artifacts Panel”. For troubleshooting test cases in metric results, see “Fix a test case that does not produce metric results”.



Create test cases in a test suite file by using Simulink Test.

Test Results

When you collect metric results for a unit, the dashboard analyzes only the test results from unit tests. The folder **Test Results** contains two subfolders to help identify which test results are from unit tests:

- **Unit Simulation** — Simulation results from unit tests. The dashboard uses these results in the metrics for the unit.

The following types of test results are shown:

-  Saved test results — results that you have collected in the Test Manager and have exported to a results file.
-  Temporary test results — results that you have collected in the Test Manager but have not exported to a results file. When you export the results from the Test Manager the dashboard analyzes the saved results instead of the temporary results. Additionally, the dashboard stops recognizing the temporary results when you close the project or close the result set in the Simulink Test Result Explorer. If you want to analyze the results in a subsequent test session or project session, export the results to a results file.
- **Others** — Results that are not simulation results, are not from unit tests, or are only reports. For example, SIL results are not simulation results. The dashboard does not use these results in the metrics for the unit.

If a test result does not trace to a unit, it appears in the “Trace Issues” on page 5-33 folder. If a test result does not appear in the **Artifacts** panel when you expect it to, see “Test Result Missing from Artifacts Panel”. For troubleshooting test results in dashboard metric results, see “Fix a test result that does not produce metric results”.

Trace Issues

The folder **Trace Issues** shows artifacts that the dashboard has not traced to units. Use the folder **Trace Issues** to check if artifacts are missing traceability to the units. The folder **Trace Issues** contains subfolders to help identify the type of tracing issue:

- **Unexpected Implementation Links** — Requirement links of **Type Implements** for a requirement of **Type Container** or **Type Informational**. The dashboard does not expect these links to be of **Type Implements** because container requirements and informational requirements do not contribute to the Implementation and Verification status of the requirement set that they are in. If a requirement is not meant to be implemented, you can change the link type. For example, you can change a requirement of **Type Informational** to have a link of **Type Related to**.
- **Unresolved and Unsupported Links** — Requirements links that are either broken in the project or not supported by the dashboard. For example:
 - If a model block implements a requirement, but you delete the model block, the requirement link is now unresolved.
 - If a requirement links to or from a data dictionary, the link is not supported and the Model Testing Dashboard does not trace the link.

The Model Testing Dashboard does not support traceability analysis for some artifacts and some links. If you expect a link to trace to a unit and it does not, see the troubleshooting solutions in “Resolve Missing Artifacts, Links, and Results in the Model Testing Dashboard”.

- **Untraced Tests** — Tests that execute on models or subsystems that are not on the project path.
- **Untraced Results** — Results that the dashboard cannot trace to a test case. For example, if a test case produces a result, but you delete the test case, the dashboard cannot trace the results to the test case.

When you add traceability to an artifact, the dashboard detects this and shows a warning banner at the top of the dashboard to indicate that the artifact traceability shown in the **Artifacts** panel is outdated. Click the **Trace Artifacts** button on the warning banner to refresh the data in the **Artifacts** panel.

The Model Testing Dashboard does not support traceability analysis for some artifacts and some links. If an artifact is untraced when you expect it to trace to a unit, see the troubleshooting solutions in “Trace Issues”.

Artifact Errors

The folder **Errors** appears if artifacts returned errors when the dashboard performed artifact analysis. These are some errors that artifacts might return during traceability analysis:

- An artifact returns an error if it has unsaved changes when traceability analysis starts.
- A test results file returns an error if it was saved in a previous version of Simulink.
- A model returns an error if it is not on the search path.

Open these artifacts and fix the errors. The dashboard detects changes to the artifacts and shows a warning banner at the top of the dashboard to indicate that the artifact traceability shown in the **Artifacts** panel is outdated. Click the **Trace Artifacts** button on the warning banner to refresh the data in the **Artifacts** panel.

Diagnostics

To see details about artifacts that cause errors, warnings, and informational messages during analysis, at the bottom of the Model Testing Dashboard dialog, click **Diagnostics**. You can filter the diagnostic messages by their type: **Error**, **Warning**, and **Info**. You can also clear the messages from the viewer.

The diagnostic messages show:

- Modeling constructs that the dashboard does not support
- Links that the dashboard does not trace
- Test harnesses or cases that the dashboard does not support
- Test results missing coverage or simulation results
- Artifacts that return errors when the dashboard loads them
- Information about model callbacks that the dashboard deactivates
- Files that have file shadowing or path traceability issues
- Artifacts that are not on the path and are not considered during tracing

Model Testing Report Generation

Save your model testing metric results by creating a report.

Create a Metric Result Report

To create a report, specify these options:

- **File Format**
- **File Name**

Then click **Create**.

The report file contains the metric results for each unit in the project. For each unit, the report lists an artifact summary table that displays the size and structure of that unit. Saving the metric results in a report file allows you to access the results without opening the project and the dashboard.

For an example of how to generate a report programmatically, see “Collect Metrics on Model Testing Artifacts Programmatically”.

See Also

Trace Artifacts

Trace Artifacts to Units and Components for Analysis

To determine which artifacts are in the scope of a unit and a component, this app analyzes the traceability links between the artifacts and the software units and components in the project. As you edit and save the artifacts in your project, the app tracks your changes and indicates if the traceability data in the **Artifacts** panel is outdated.

Click **Trace Artifacts** to update the traceability data.

For more information, see “Explore Status and Quality of Testing Activities Using the Model Testing Dashboard”.

Collect Metric Results

Collect Results for Model Testing Analysis

The Model Testing Dashboard collects metric results for each unit and component listed in the **Artifacts** panel. If metric data was previously collected for a unit or component, the dashboard populates from the existing data. If artifacts in the project change after the results are collected, the dashboard might indicate that some dashboard widgets show stale data which does not reflect the changes.

Click **Collect** to collect metric data for the unit or component and to update the stale widgets with data from the current artifacts.

For more information, see “Explore Status and Quality of Testing Activities Using the Model Testing Dashboard”.

Fix Issues and Trace Artifacts

Fix Issues and Trace Artifacts for Model Testing Analysis

If an artifact returns an error during traceability analysis, the **Artifacts** panel includes the artifact in the **Errors** folder. To see details about the errors that the dashboard finds during artifact analysis, open the **Diagnostics** pane at the bottom of the Model Testing Dashboard.

These are some errors that artifacts might cause during traceability analysis:

- An artifact causes an error if it has unsaved changes when traceability analysis starts.
- A test results file causes an error if it was saved in a previous version of Simulink.
- A model causes an error if it is not on the search path.

For information on how to resolve common traceability issues, see “Resolve Missing Artifacts, Links, and Results in the Model Testing Dashboard”.

After fixing the issues, click **Trace Artifacts** to update the traceability data.

For more information, see “Explore Status and Quality of Testing Activities Using the Model Testing Dashboard”.

Enable Artifact Tracing

Trace Pending Artifacts to Units for Model Testing Analysis

As you edit and save the artifacts in your project, the dashboard needs to track these changes to capture recent artifact changes in the metrics and to detect stale results.

The dashboard tracks tool outputs, such as test results from Simulink Test, to detect outdated metric results.

For more information, see “Explore Status and Quality of Testing Activities Using the Model Testing Dashboard”.

Unanalyzed Artifacts

Unanalyzed Artifacts During First-Time Setup

If you have not opened the Model Testing Dashboard for a project, the dashboard performs an initial artifact analysis called **First-Time Setup**. If you click **Cancel** during the initial artifact analysis, unanalyzed artifacts in the project appear in the **Unanalyzed** folder in the **Artifacts** panel.

Click **Collect Results > Trace Artifacts** to perform the initial artifact analysis on the unanalyzed artifacts in the project.

For more information, see “Resolve Missing Artifacts, Links, and Results in the Model Testing Dashboard”.

Implemented Requirements

Implemented Requirements

The folder **Implemented** contains functional requirements that are directly linked to the unit with a link **Type** of **Implements**. The dashboard uses these requirements in the metrics for the unit.

If a requirement does not trace to a unit, it appears in the “Trace Issues” on page 5-33 folder. If a requirement does not appear in the **Artifacts** panel when you expect it to, see “Requirement Missing from Artifacts Panel”.

Use the Requirements Toolbox to create or import the requirements in a requirements file (.slreqx).

Upstream Requirements

Upstream Requirements

The folder **Upstream** contains functional requirements that are indirectly or transitively linked to the implemented requirements. The dashboard does not use these requirements in the metrics for the unit.

If a requirement does not trace to a unit, it appears in the “Trace Issues” on page 5-33 folder. If a requirement does not appear in the **Artifacts** panel when you expect it to, see “Requirement Missing from Artifacts Panel”.

Use the Requirements Toolbox to create or import the requirements in a requirements file (.slreqx).

Unit Tests

Unit Tests

The folder **Unit Tests** contains test cases that the dashboard considers as unit tests. A unit test directly tests either the entire unit model or the model subsystems. The dashboard uses these tests in the metrics for the unit.

If a test case does not trace to a unit, it appears in the “Trace Issues” on page 5-33 folder. If a test case does not appear in the **Artifacts** panel when you expect it to, see “Test Case Missing from Artifacts Panel”. For troubleshooting test cases in metric results, see “Fix a test case that does not produce metric results”.

Create test cases in a test suite file by using Simulink Test.

Other Tests

Others

The folder **Others** contains test cases that trace to the unit but that the dashboard does not consider as unit tests. For example, the dashboard does not consider tests on a library to be unit tests. The dashboard does not use these tests in the metrics for the unit.

If a test case does not trace to a unit, it appears in the “Trace Issues” on page 5-33 folder. If a test case does not appear in the **Artifacts** panel when you expect it to, see “Test Case Missing from Artifacts Panel”. For troubleshooting test cases in metric results, see “Fix a test case that does not produce metric results”.

Create test cases in a test suite file by using Simulink Test.

Test Harnesses

Test Harnesses

The folder **Test Harnesses** contains test harnesses that trace to the unit or unit subsystems. Double-click a test harness to open it.

If a test case does not trace to a unit, it appears in the “Trace Issues” on page 5-33 folder. If a test case does not appear in the **Artifacts** panel when you expect it to, see “Test Case Missing from Artifacts Panel”. For troubleshooting test cases in metric results, see “Fix a test case that does not produce metric results”.



Create test cases in a test suite file by using Simulink Test.

Unit Simulation

Unit Simulation

The folder **Unit Simulation** contains simulation results from unit tests. The dashboard uses these results in the metrics for the unit.

The following types of test results are shown:

-  Saved test results — results that you have collected in the Test Manager and have exported to a results file.
-  Temporary test results — results that you have collected in the Test Manager but have not exported to a results file. When you export the results from the Test Manager the dashboard analyzes the saved results instead of the temporary results. Additionally, the dashboard stops recognizing the temporary results when you close the project or close the result set in the Simulink Test Result Explorer. If you want to analyze the results in a subsequent test session or project session, export the results to a results file.

If a test result does not trace to a unit, it appears in the “Trace Issues” on page 5-33 folder. If a test result does not appear in the **Artifacts** panel when you expect it to, see “Test Result Missing from Artifacts Panel”. For troubleshooting test results in dashboard metric results, see “Fix a test result that does not produce metric results”.

Other Results

Others

The folder **Others** contains results that are not simulation results, are not from unit tests, or are only reports. For example, SIL results are not simulation results. The dashboard does not use these results in the metrics for the unit.

If a test result does not trace to a unit, it appears in the “Trace Issues” on page 5-33 folder. If a test result does not appear in the **Artifacts** panel when you expect it to, see “Test Result Missing from Artifacts Panel”. For troubleshooting test results in dashboard metric results, see “Fix a test result that does not produce metric results”.

Unexpected Implementation Links

Unexpected Implementation Links

The folder **Unexpected Implementation Links** contains requirement links of **Type Implements** for a requirement of **Type Container** or **Type Informational**. The dashboard does not expect these links to be of **Type Implements** because container requirements and informational requirements do not contribute to the Implementation and Verification status of the requirement set that they are in. If a requirement is not meant to be implemented, you can change the link type. For example, you can change a requirement of **Type Informational** to have a link of **Type Related to**.

When you add traceability to an artifact, the dashboard detects this and shows a warning banner at the top of the dashboard to indicate that the artifact traceability shown in the **Artifacts** panel is outdated. Click the **Trace Artifacts** button on the warning banner to refresh the data in the **Artifacts** panel.

The Model Testing Dashboard does not support traceability analysis for some artifacts and some links. If an artifact is untraced when you expect it to trace to a unit, see the troubleshooting solutions in "Trace Issues".

Unresolved Links

Unresolved and Unsupported Links

The folder **Unresolved and Unsupported Links** contains requirements links that are either broken in the project or not supported by the dashboard.

For example:

- If a model block implements a requirement, but you delete the model block, the requirement link is now unresolved.
- If a requirement links to or from a data dictionary, the link is not supported and the Model Testing Dashboard does not trace the link.

The Model Testing Dashboard does not support traceability analysis for some artifacts and some links. If you expect a link to trace to a unit and it does not, see the troubleshooting solutions in “Resolve Missing Artifacts, Links, and Results in the Model Testing Dashboard”.

When you add traceability to an artifact, the dashboard detects this and shows a warning banner at the top of the dashboard to indicate that the artifact traceability shown in the **Artifacts** panel is outdated. Click the **Trace Artifacts** button on the warning banner to refresh the data in the **Artifacts** panel.

Untraced Tests

Untraced Tests

The folder **Untraced Tests** contains tests that execute on models or subsystems that are not on the project path.

When you add traceability to an artifact, the dashboard detects this and shows a warning banner at the top of the dashboard to indicate that the artifact traceability shown in the **Artifacts** panel is outdated. Click the **Trace Artifacts** button on the warning banner to refresh the data in the **Artifacts** panel.

The Model Testing Dashboard does not support traceability analysis for some artifacts and some links. If an artifact is untraced when you expect it to trace to a unit, see the troubleshooting solutions in “Trace Issues”.

Untraced Results

Untraced Results

The folder **Untraced Results** contains results that the dashboard cannot trace to a test case. For example, if a test case produces a result, but you delete the test case, the dashboard cannot trace the results to the test case.

When you add traceability to an artifact, the dashboard detects this and shows a warning banner at the top of the dashboard to indicate that the artifact traceability shown in the **Artifacts** panel is outdated. Click the **Trace Artifacts** button on the warning banner to refresh the data in the **Artifacts** panel.

The Model Testing Dashboard does not support traceability analysis for some artifacts and some links. If an artifact is untraced when you expect it to trace to a unit, see the troubleshooting solutions in "Trace Issues".

Refresh Tasks

Refresh Tasks

As you edit and save the artifacts in your project, the Process Advisor tracks your changes and identifies outdated information. For example:

- If you make a change to an artifact in your project, the Process Advisor can detect the change and automatically determine the impact of the change on your existing task results. For example, if you complete a task but then update your model, the Process Advisor automatically invalidates the task completion and marks the task results as outdated.
- If you make a change to your `processmodel.m` file, the Process Advisor may need to add or remove the tasks shown in the Process Advisor. For example, if you import a new task into your `processmodel.m` file, the Process Advisor needs to refresh the tasks shown in the Process Advisor.

Click **Refresh Tasks** to refresh the tasks and task results shown in the Process Advisor.

Apps

Clone Detector

Enable model refactorization and subsystem reuse in models by identifying and replacing clones with library links or subsystem references

Description

The **Clone Detector** is a tool that identifies and replaces clones, which are modeling patterns that have identical block types and connections. The tool identifies clones across referenced model boundaries. You can refactor your model by replacing the clones with library links or Subsystem Reference blocks, which enables you to reuse components.

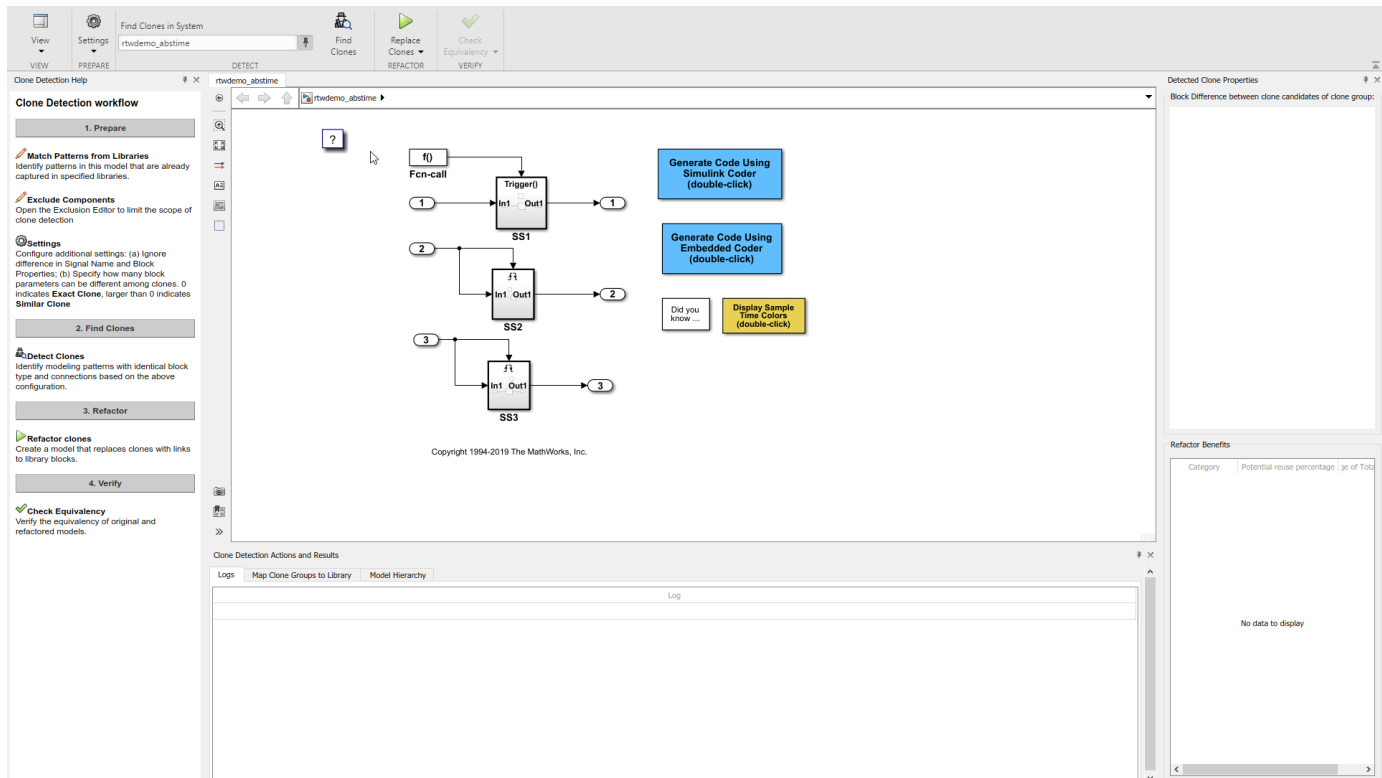
The Clone Detector interface steps you through the process of identifying and refactoring clones. You can:

- Access clone reuse percentages in the model to determine the benefits of refactoring.
- Vary parameter tolerance to identify similar and exact clones.
- Identify the differences in a clone from the baseline subsystem.
- Access a log of clone detection results.
- Use a Simulink Test license to access an embedded Test Manager that allows you to verify the equivalence of the refactored model and the original model.



To identify and replace clones in the model:

- 1 Open the model `rtwdemo_abstime`.
- 2 Save the model to your working folder.
- 3 On the **Apps** tab, click **Clone Detector**.
- 4 In the Clone Detector tab, on the **View** section, you can select **Help** pane, **Properties** to show the Detected Clone Properties pane, or **Results** to show the Clone Detection Actions and Results pane.
- 5 Click **Find Clones** to identify clones.
- 6 Click the Clone Detection Action and Results pane and browse the results to view the identified clones.
- 7 Click **Replace Clones** to replace the clone groups. A backup model with the original layout is saved. Click the **Restore** button in the clone detection logs to revert to the original model.
- 8 Click **Check Equivalency** to open the Test Manager. This tests whether the refactored model is functionally equivalent to the original model.



Open the Clone Detector App

In the **Apps** gallery, click **Clone Detector**.

Examples

- “Custom Libraries”
- “Generate Reusable Code from Library Subsystems Shared Across Models” (Simulink Coder)
- “Replace Exact Clones with Subsystem Reference”
- “Enable Component Reuse by Using Clone Detection”

See Also

Topics

“Custom Libraries”

“Generate Reusable Code from Library Subsystems Shared Across Models” (Simulink Coder)

“Replace Exact Clones with Subsystem Reference”

“Enable Component Reuse by Using Clone Detection”

Introduced in R2019b

